



US00D808263S

(12) **United States Design Patent** (10) **Patent No.:** **US D808,263 S**
Patel (45) **Date of Patent:** **** Jan. 23, 2018**

(54) **CAP**

FOREIGN PATENT DOCUMENTS

(71) Applicant: **Newtonstein Corp. USA**, Wilmington, DE (US)

CO 4303-0001 * 9/2003
IE 20150-0001 * 7/2002

(Continued)

(72) Inventor: **Priyesh Patel**, Wilmington, DE (US)

OTHER PUBLICATIONS

(73) Assignee: **NEWTONSTEIN CORP. USA**, Wilmington, DE (US)

Roubcer: Announced Apr. 9, 2014 [online], site visited [Jul. 7, 2017]. Available from Internet URL: <http://www.newtonstein.com/#!/projects/project-4.html>.*

(**) Term: **15 Years**

(Continued)

(21) Appl. No.: **29/549,888**

(22) Filed: **Dec. 29, 2015**

Primary Examiner — Thomas Johannes

(51) **LOC (11) Cl.** **09-07**

Assistant Examiner — Catherine S Posthauer

(52) **U.S. Cl.**
USPC **D9/436**

(74) *Attorney, Agent, or Firm* — Squire Patton Boggs (US) LLP

(58) **Field of Classification Search**

USPC D3/201, 202, 203.1, 273, 294, 318;
D7/300, 300.1, 316, 317, 387, 391, 392.1,
D7/393, 396.2, 398, 509, 510, 511,
D7/523-531, 538, 541, 549, 629, 703,
D7/900; D24/121, 127, 199, 224, 216;
D9/434, 435, 436, 438, 439, 440, 443,
D9/446-450, 452, 453, 454, 456, 502,
D9/503, 504, 516, 517, 529, 723, 724,
D9/746, 763, 774; D19/70, 71, 115, 162,
D19/163, 165, 192, 194; D23/206, 208,
D23/227, 259, 260
CPC A62C 31/02; B65D 1/02; B65D 1/0233;
B65D 1/08; B65D 1/10; B65D 23/00;
B65D 23/08; B65D 23/10; B65D 25/00;
B65D 25/40; B65D 25/42; B65D 25/46;
B65D 25/48; B65D 25/77; B65D 39/00;
B65D

(57) **CLAIM**

The ornamental design for a cap, as shown and described.

DESCRIPTION

FIG. 1 is a side perspective view of a cap showing my new design, in an environmental condition of use with an adaptor;
FIG. 2 is an enlarged bottom perspective view thereof, with the environmental subject matter removed for clarity of details;
FIG. 3 is a front view thereof;
FIG. 4 is a back view thereof;
FIG. 5 is a left view thereof;
FIG. 6 is a right view thereof;
FIG. 7 is a top view thereof; and,
FIG. 8 is a bottom view thereof.
The broken lines are shown for the purpose of illustrating environmental subject matter and parts of the article that form no part of the claimed design.

(Continued)

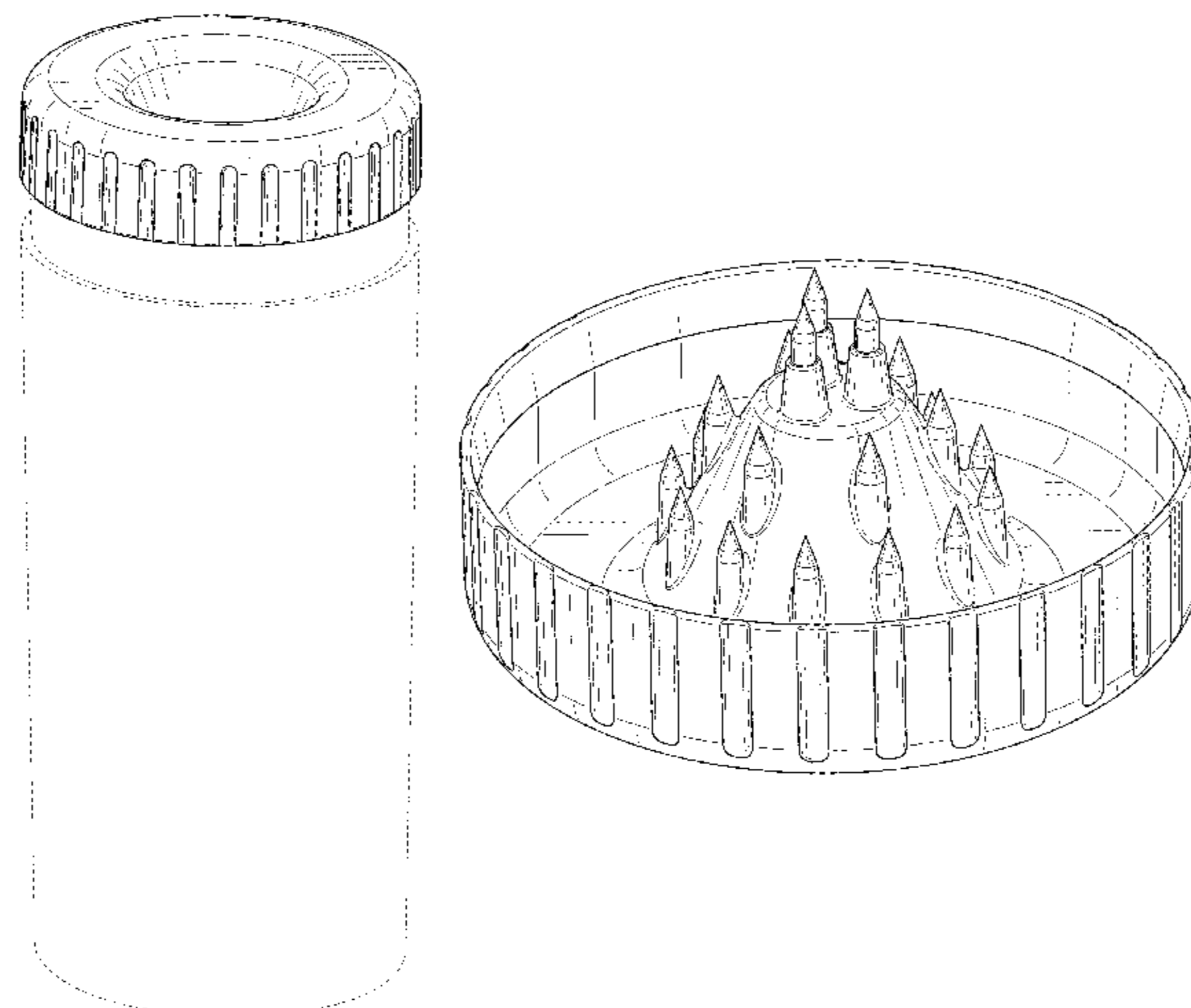
(56) **References Cited**

U.S. PATENT DOCUMENTS

4,548,348 A * 10/1985 Clements A47G 23/0216
206/514
D325,678 S * 4/1992 Niles D7/619.1

(Continued)

1 Claim, 6 Drawing Sheets



(58) **Field of Classification Search**

CPC 39/0047; B65D 41/00; B65D 43/00; B65D 43/02; B65D 51/02; B65D 51/04; B05B 17/00; B05B 15/002; A45D 34/00; A45D 34/042; A45D 2040/0006; A45D 2040/093

See application file for complete search history.

(56) **References Cited**

U.S. PATENT DOCUMENTS

D328,252 S * 7/1992 Miyake D24/224
 D388,328 S * 12/1997 Harris D9/447
 6,116,478 A * 9/2000 Storar B65D 1/023
 215/40
 6,374,726 B1 * 4/2002 Melton A47G 19/16
 220/712
 D457,247 S * 5/2002 Itheme D24/216
 D479,801 S * 9/2003 Carmichael D7/401.1
 D581,212 S * 11/2008 Macler D7/397
 D592,954 S * 5/2009 Capretta D9/453
 D608,097 S * 1/2010 Zanjani D4/114
 D640,092 S * 6/2011 Aardenburg D7/397
 D643,288 S * 8/2011 Taylor D9/453
 D680,369 S * 4/2013 Starks D7/392.1
 D681,462 S * 5/2013 Taylor D9/453
 D687,709 S * 8/2013 Taylor D9/453
 D693,221 S * 11/2013 Ramsey D9/453
 D703,045 S * 4/2014 Stathos D9/436
 D706,631 S * 6/2014 Wilson D9/436

D708,058 S * 7/2014 Salamon-Hickey D9/435
 D708,059 S * 7/2014 Hickey D9/435
 D732,955 S * 6/2015 Peckels D9/440
 2004/0261808 A1 * 12/2004 Kluge A45D 19/02
 132/115
 2010/0044336 A1 * 2/2010 Liu B65D 41/045
 215/250
 2010/0200532 A1 * 8/2010 Ekkert B65D 51/00
 215/201
 2014/0193848 A1 * 7/2014 Kaufman B01L 3/50825
 435/29
 2014/0263473 A1 * 9/2014 Wilson B65D 47/127
 222/482
 2015/0367999 A1 * 12/2015 Janowski B65D 41/023
 215/211
 2016/0354775 A1 * 12/2016 Bruno B01L 3/508

FOREIGN PATENT DOCUMENTS

MX 026584 * 10/2008
 SK 25723-0001 * 6/1999
 TR 201608319-0001 * 1/2017

OTHER PUBLICATIONS

Fruit Infuser: Announced Mar. 3, 2015 [online], site visited [Jul. 7, 2017]. Available from Internet URL: <http://tonijonescocktailblog.dailymail.co.uk/2015/03/detox-water-fruit-infuser-aquatiser.html>.*

* cited by examiner



FIG. 1

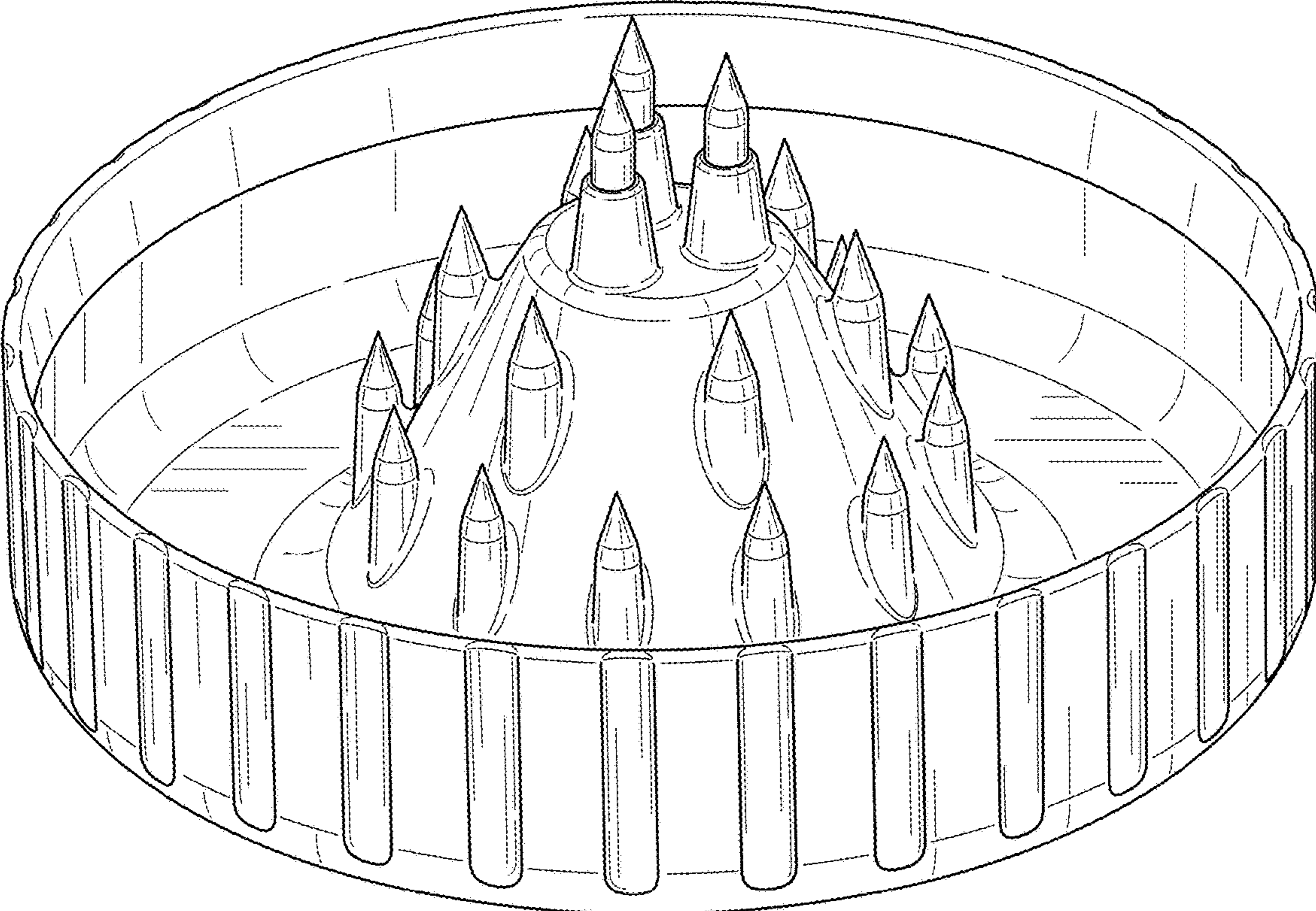


FIG. 2

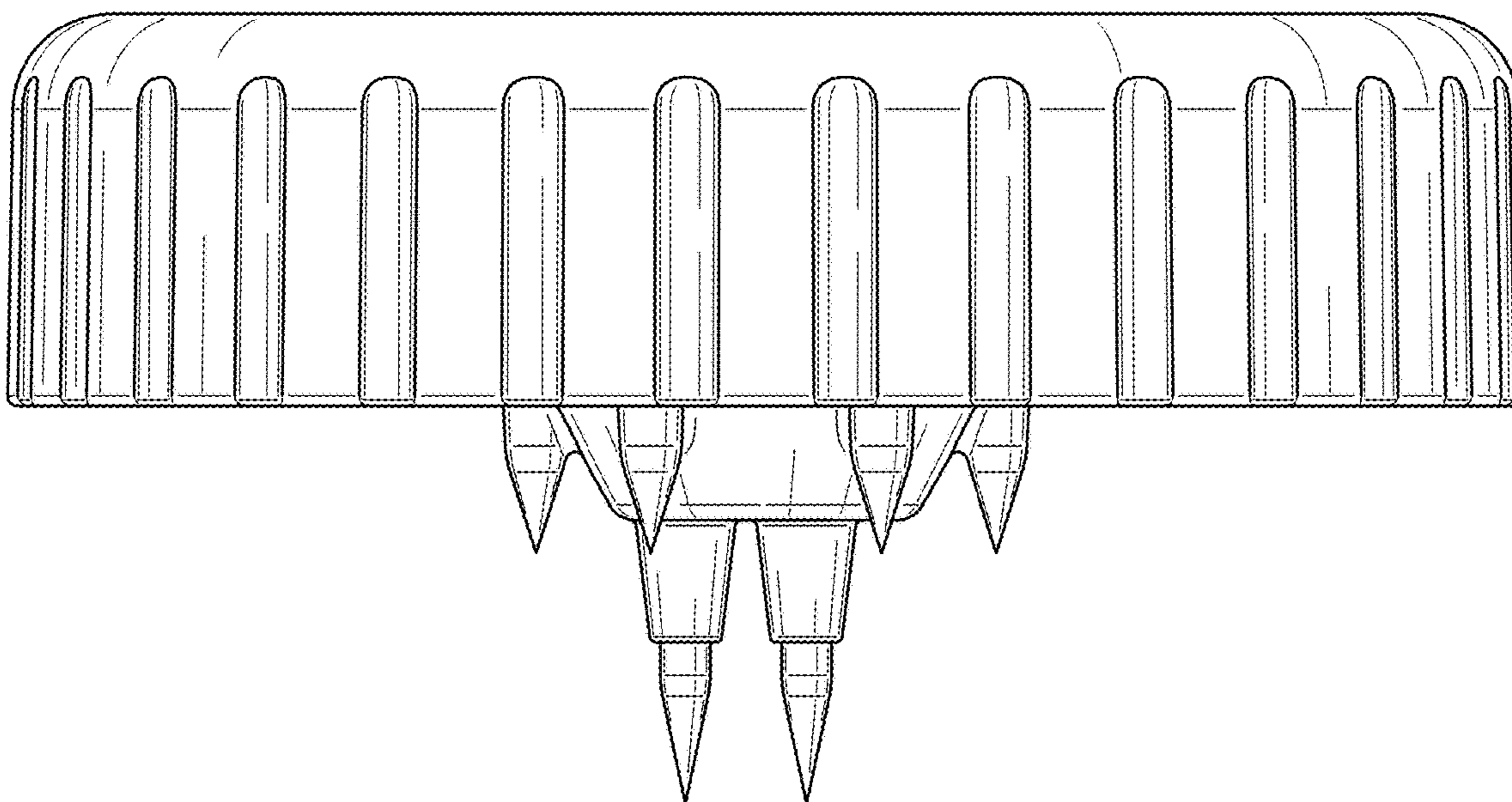


FIG. 3

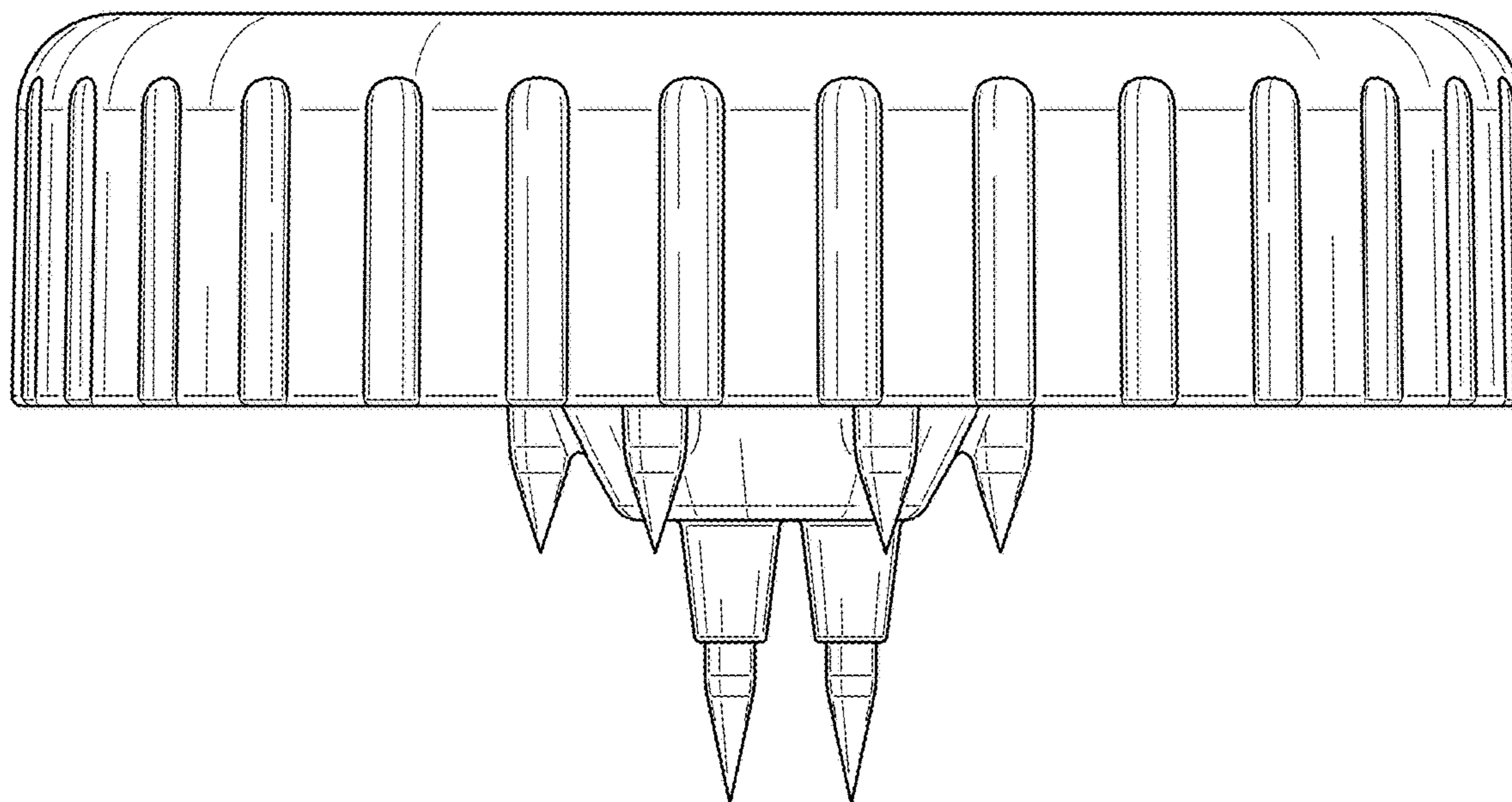


FIG. 4

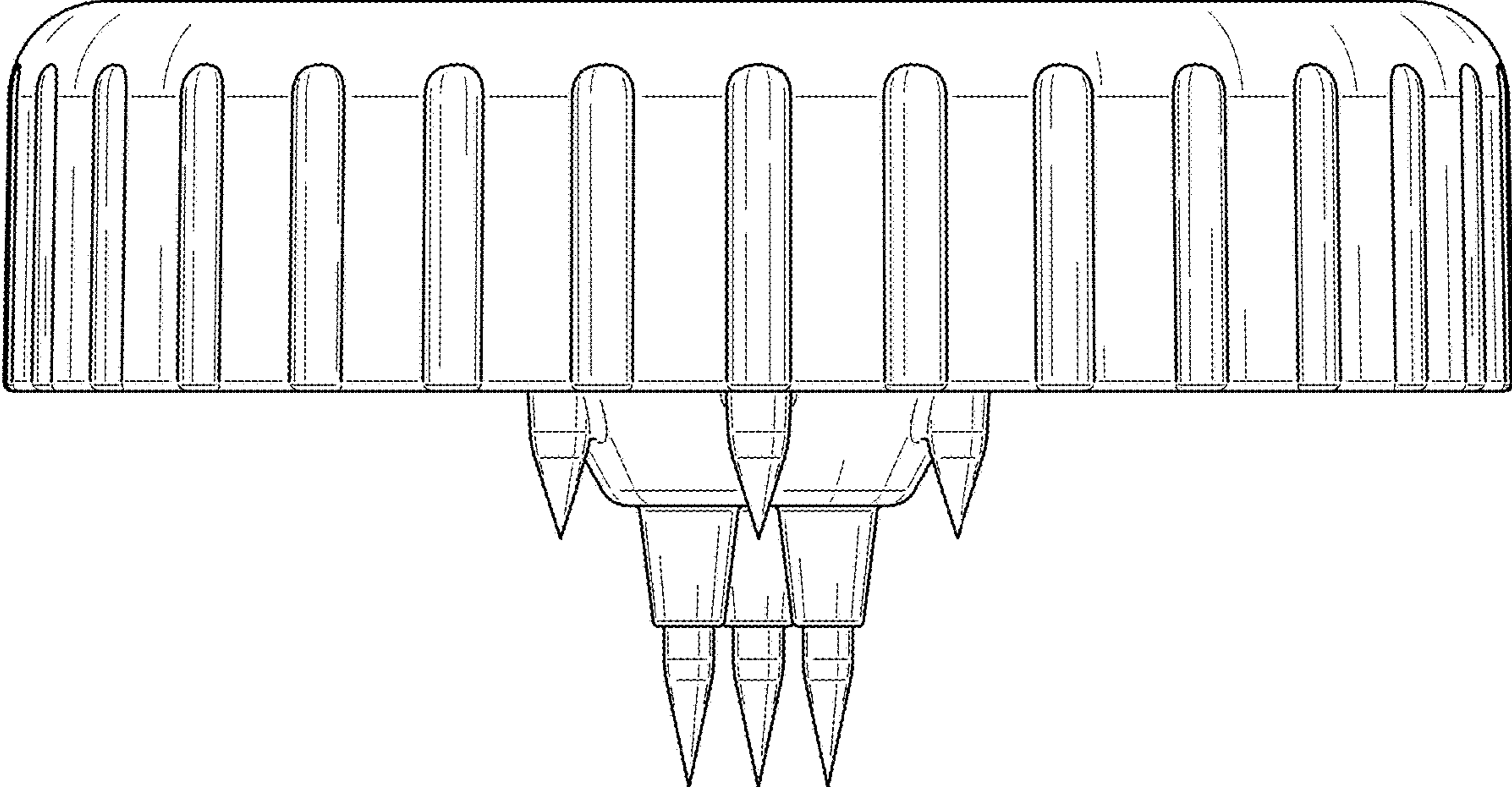


FIG. 5

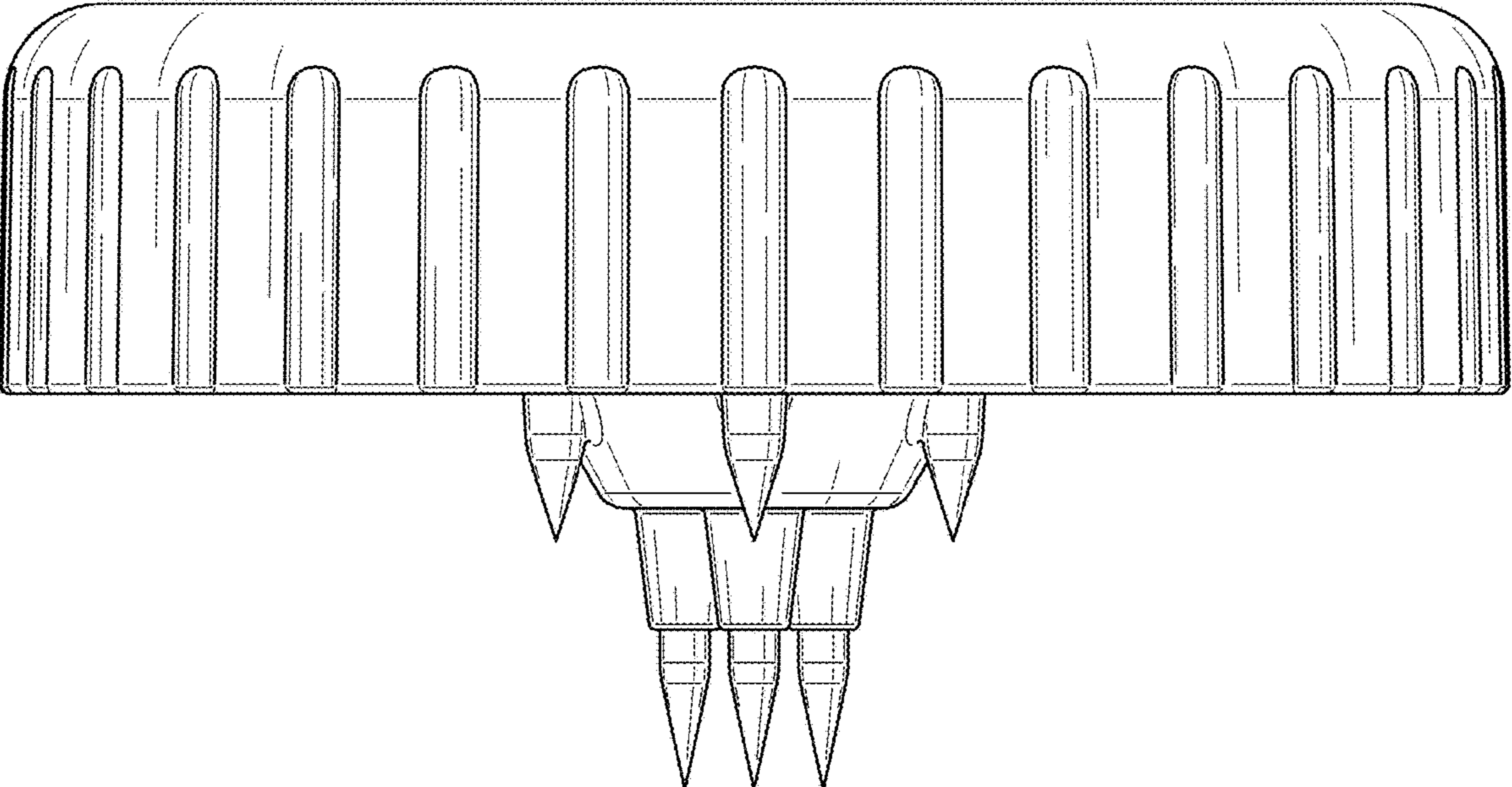


FIG. 6

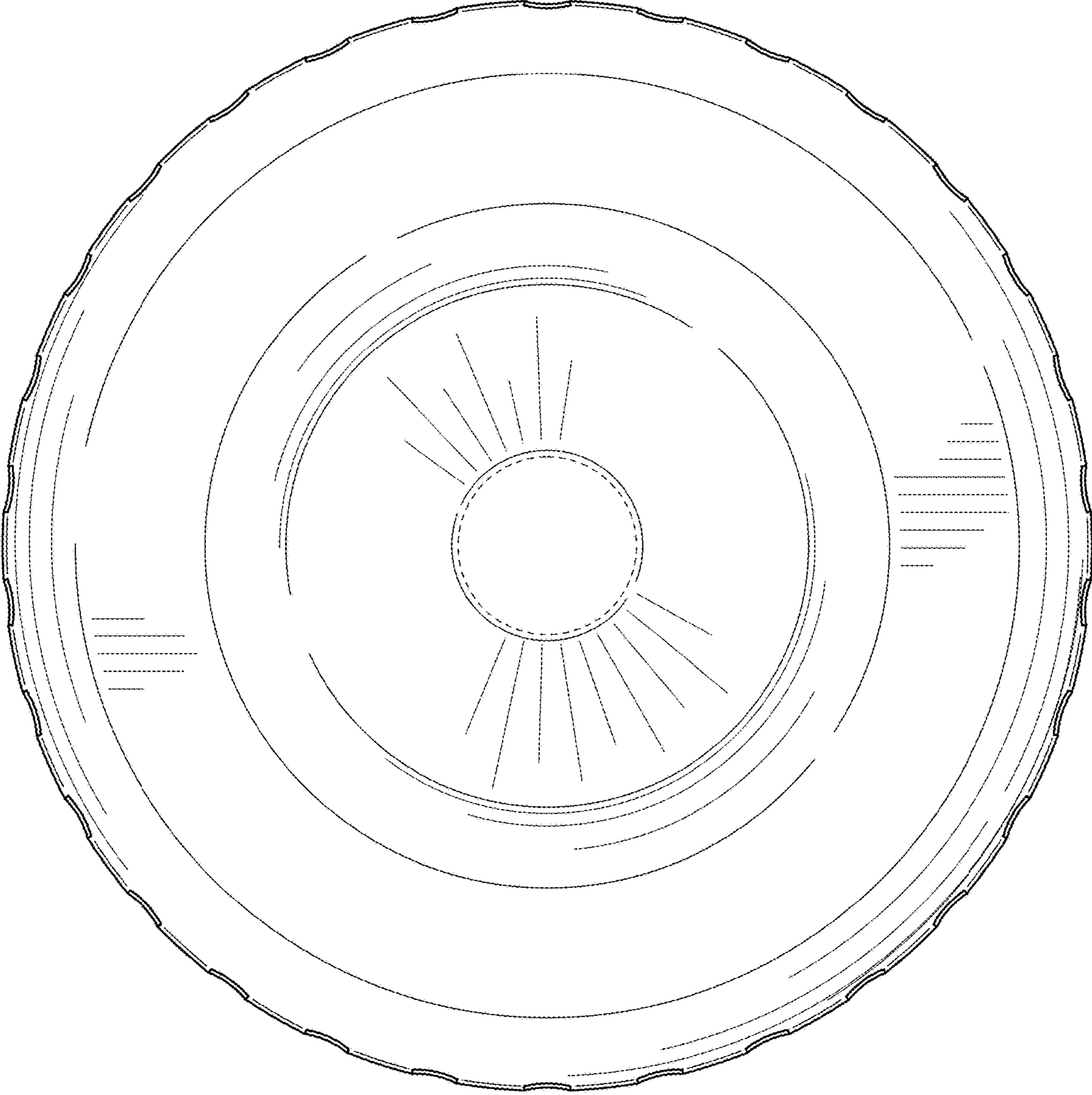


FIG. 7

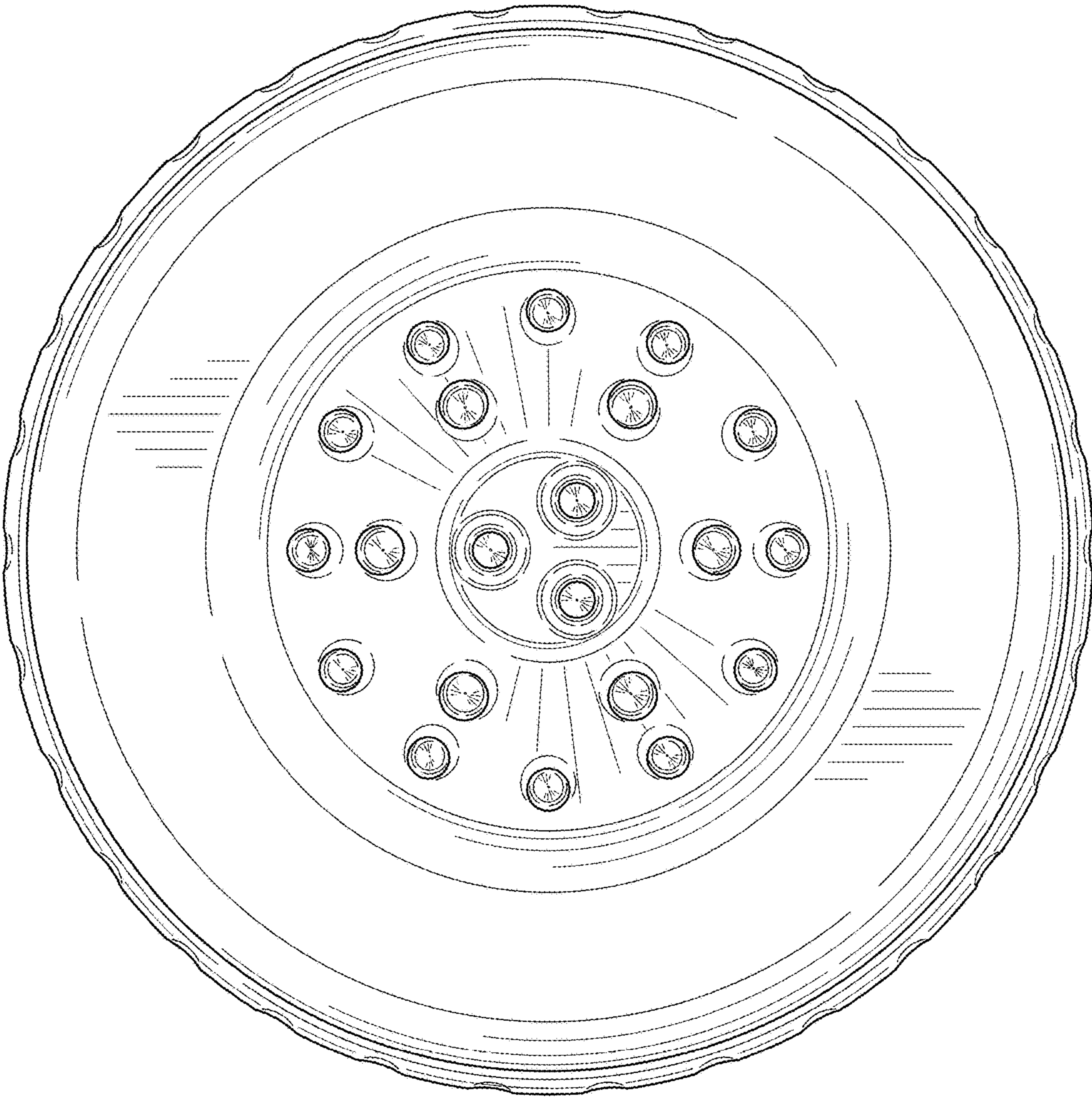


FIG. 8