



US00D808261S

(12) **United States Design Patent**
Heidel et al.

(10) **Patent No.:** **US D808,261 S**
(45) **Date of Patent:** **** Jan. 23, 2018**

(54) **PACKAGE WITH AN ICON**

- (71) Applicant: **The Procter & Gamble Company**, Cincinnati, OH (US)
- (72) Inventors: **Andrew P Heidel**, Cincinnati, OH (US); **Maria Gaviria**, Marina Del Ray, CA (US); **Sev Gerik**, Los Angeles, CA (US)
- (73) Assignee: **The Procter & Gamble Company**, Cincinnati, OH (US)
- (**) Term: **15 Years**

- (21) Appl. No.: **29/568,035**
- (22) Filed: **Jun. 15, 2016**
- (51) **LOC (11) Cl.** **09-03**
- (52) **U.S. Cl.**
USPC **D9/434**; D9/499; D14/492
- (58) **Field of Classification Search**
USPC D2/205; D3/322; D5/56, 59, 60, 62; D7/396.4, 546, 549, 550.1, 601, 602, 607, D7/609, 703; D9/414, 415, 416, 418, D9/420, 423, 425, 432-454, 630, 703; D14/188, 240, 300, 308, 313, 314, D14/348-356, 364, 441-446, 489, 490, D14/491, 492, 494, 495; D20/10, 11, 22, D20/23, 27, 28, 29, 40, 42; D11/81, 95, D11/99, 116, 223, 224, 225, 238, 240, D11/241; D19/1, 6, 24, 27, 28; D23/366, 370, 382, 385
CPC B65D 77/24; B65D 5/00-5/02; B65D 5/0209-5/0272; B65D 5/029; B65D 5/40; B65D 5/72; B65D 5/541; B65D 5/705; B65D 5/706; B65D 5/727; B65D 5/4204; B65D 1/00; B65D 1/02; B65D 1/0233;
(Continued)

(56) **References Cited**

U.S. PATENT DOCUMENTS

- D410,911 S * 6/1999 Newton D14/490
 - D465,019 S * 10/2002 Wu D23/366
- (Continued)

OTHER PUBLICATIONS

Pisen Eco-Friendly Mosquito Killer: Site Visited [Sep. 11, 2017]. Available from Internet URL: <http://www.ioffer.com/i/pisen-eco-friendly-usb-electric-mosquito-killer-repelle-616620244>.*

(Continued)

Primary Examiner — Jennifer Rivard

Assistant Examiner — Catherine S Posthauer

(74) *Attorney, Agent, or Firm* — James C Vago

(57) **CLAIM**

The ornamental design for a package with an icon, as shown and described.

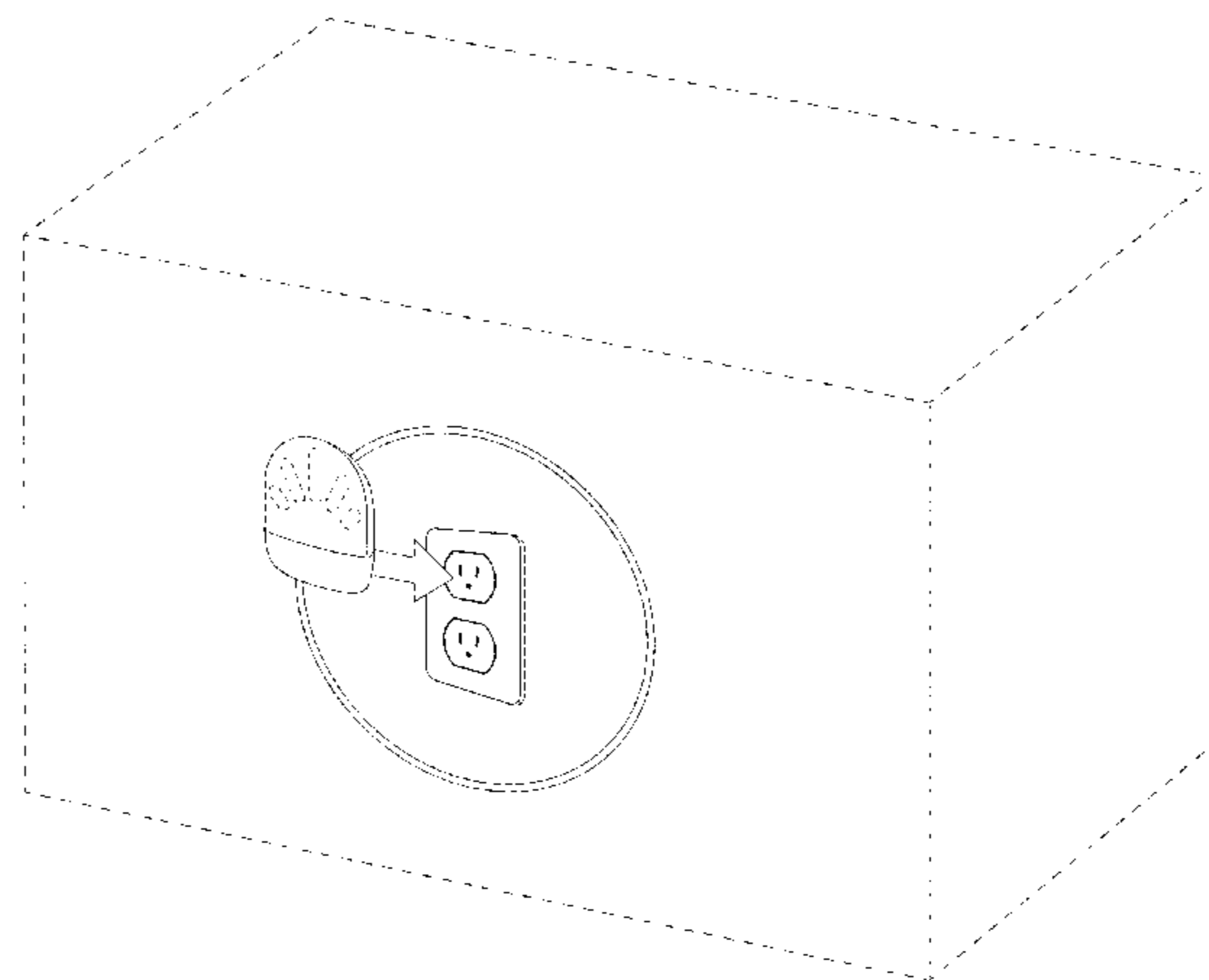
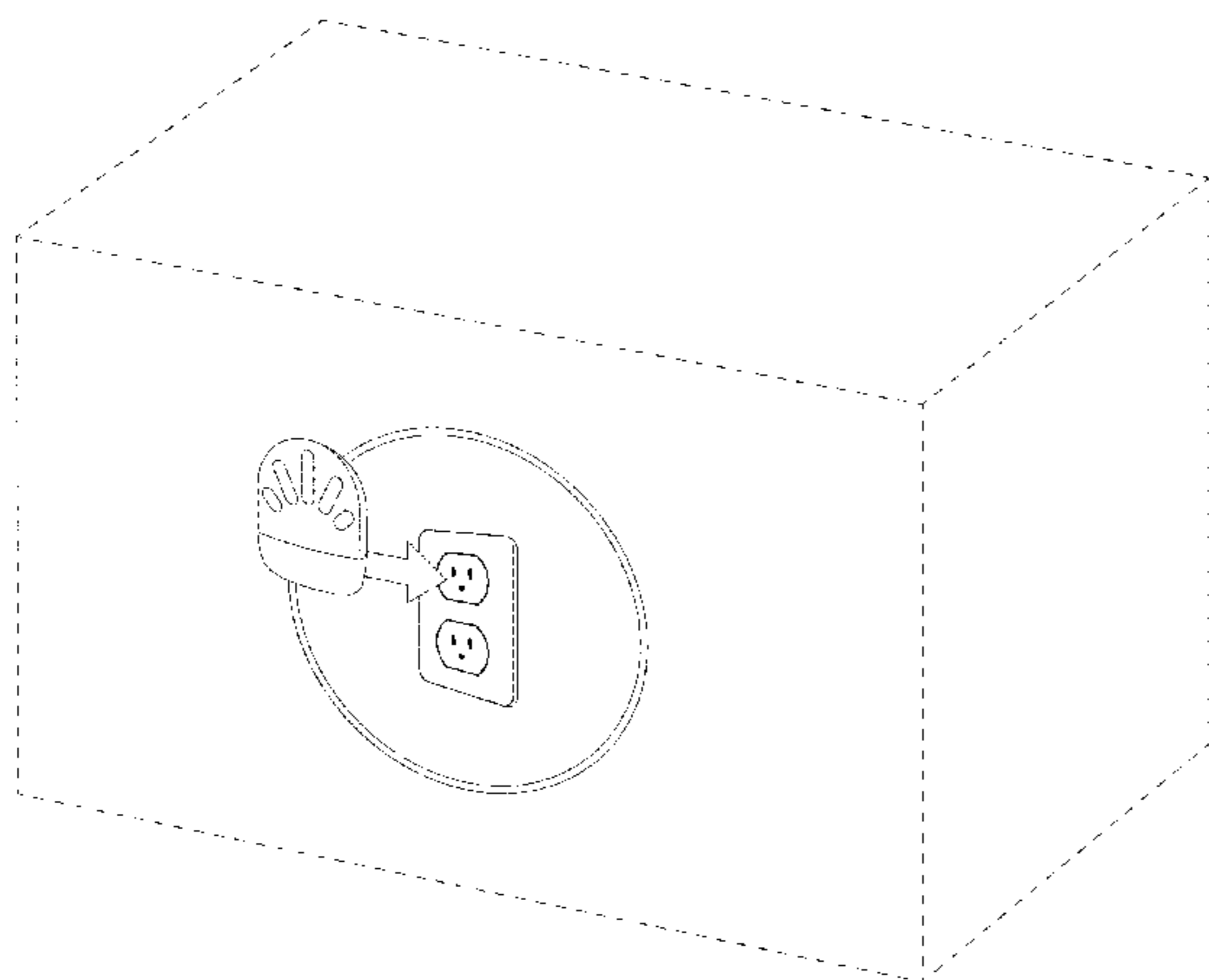
DESCRIPTION

FIG. 1 is a perspective view of a first embodiment of a package with an icon embodying our new design;
 FIG. 2 is a front view thereof;
 FIG. 3 is a left side view thereof;
 FIG. 4 is a rear view thereof;
 FIG. 5 is a right side view thereof;
 FIG. 6 is a top view thereof;
 FIG. 7 is bottom view thereof;
 FIG. 8 is a perspective view of a second embodiment of a package with an icon embodying our new design;
 FIG. 9 is a front view thereof;
 FIG. 10 is a left side view thereof;
 FIG. 11 is a rear view thereof;
 FIG. 12 is a right side view thereof;
 FIG. 13 is a top view thereof; and,
 FIG. 14 is bottom view thereof.

The claim is limited to the details shown in solid lines in FIGS. 1, 2, 8, and 9.

The broken lines are shown for the purpose of illustrating parts of the article that form no part of the claimed design.

1 Claim, 8 Drawing Sheets



(58) **Field of Classification Search**

CPC ... B65D 1/22; B65D 1/32; B65D 1/36; B65D 1/40; B65D 1/225; B65D 23/00; B65D 23/12; B65D 23/14; B65D 2203/00; B65D 2203/02; B65D 2501/0008; B65D 2543/00296; B65D 15/08; B65D 65/22; B65D 2577/205; B65D 79/00; B65D 81/00; B65D 82/00; B65D 85/00; B65D 2585/00; A45D 40/22

See application file for complete search history.

(56)

References Cited

U.S. PATENT DOCUMENTS

D598,531	S	*	8/2009	Irvin	D23/366
D624,410	S	*	9/2010	Straker	D14/492
D634,627	S	*	3/2011	Beard	D9/434
D647,793	S	*	11/2011	Anderson	D9/434
D647,794	S	*	11/2011	Anderson	D9/434
D662,578	S	*	6/2012	Blanking	D23/366
D662,579	S	*	6/2012	Blanking	D23/366
D683,755	S	*	6/2013	Phelan	D14/489
D683,756	S	*	6/2013	Phelan	D14/489
D690,365	S	*	9/2013	Gorelick	D20/10
D691,208	S	*	10/2013	Gorelick	D20/10
D693,449	S	*	11/2013	Wolf	D23/366
D713,517	S	*	9/2014	Dodge	D23/366
D719,838	S	*	12/2014	Robson	D9/434

D721,168	S	*	1/2015	Wolf	D23/366
D721,798	S	*	1/2015	Arinsmier	D23/366
D764,537	S	*	8/2016	Kadosh	D14/489
D793,451	S	*	8/2017	Kang	D14/492

OTHER PUBLICATIONS

Flying Insect Trap Starter Kit: Announced Jul. 4, 2017 [online], site visited [Sep. 11, 2017]. Available from Internet URL: <http://www.homedepot.com/p/ZEVO-Flying-Insect-Trap-Starter-Kit-013907/301708706>.*

Electronic UV Flying Insect Killer Electric Plug In: Site Visited [Sep. 11, 2017]. Available from Internet URL: http://www.ebay.co.uk/itm/ELECTRONIC-UV-FLYING-INSECT-KILLER-ELECTIC-PLUG-IN-ULTRASONIC-MOSQUITO-KILLER-/272717476990?var=&hash=item3f7f3a747e:m:m-nBLw_ZWgM4-1nDX8kg7Ow.*

Pest Control Icon Set: Site Visited Aug. 28, 2017. Available from Internet URL: https://www.123rf.com/photo_55026784_stock-vector-pest-control-line-icon-set-with-insects-cockroach-tick-bed-bug-fly-mosquito-spider-termite-ant-grub-l.html.*

Pest Control Icon Set: Announced Apr. 9, 2016 [online], site visited [Sep. 11, 2017]. Available from Internet URL: <https://www.vecteezy.com/vector-art/105051-pest-control-long-shadow-icons>.*

Intertek, Listing Constructional Data Report (CDR), Report No. 140100452SHA-001 for Arthropod Biosciences LLC, Mar. 30, 2014, 16 pgs.

* cited by examiner

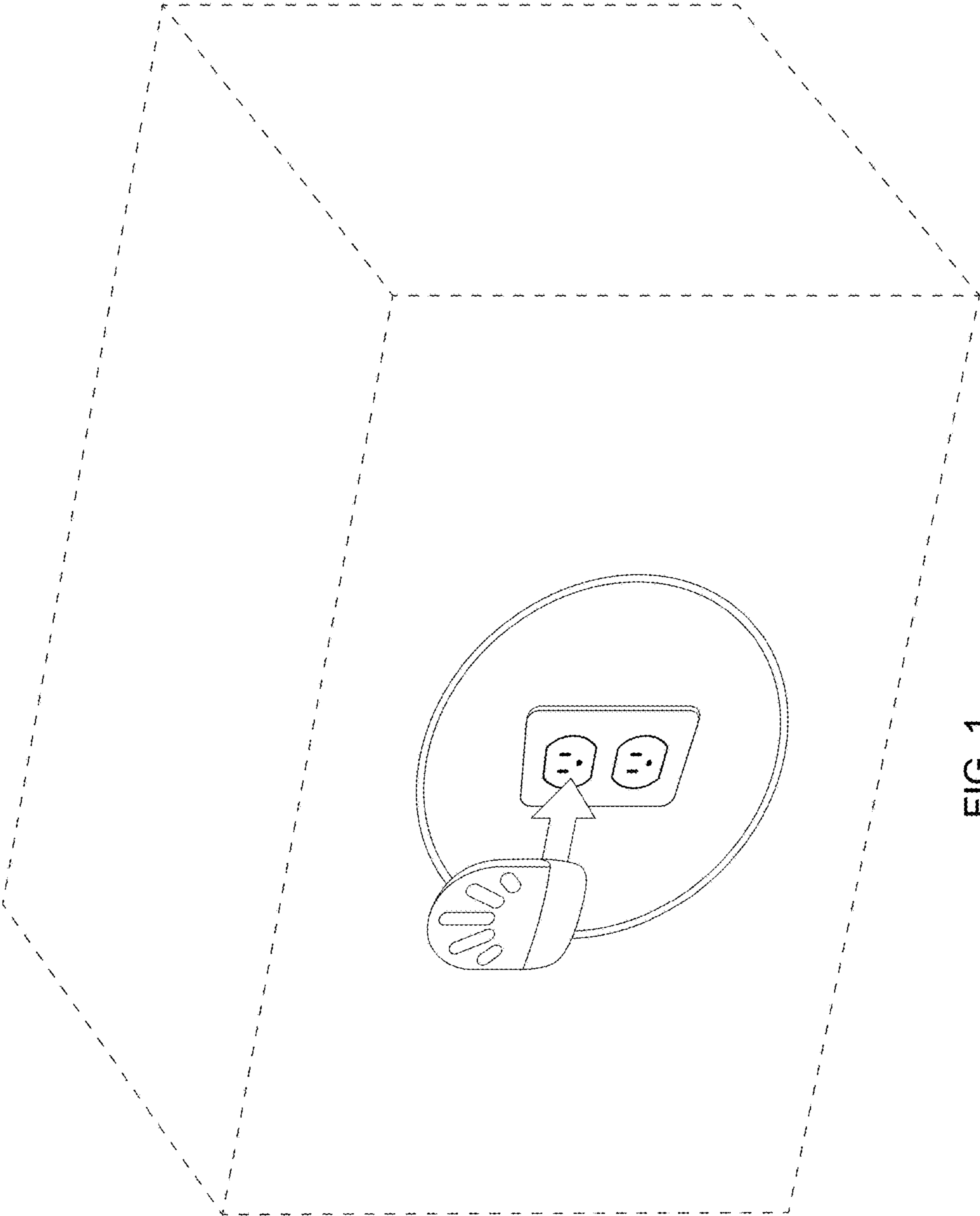


FIG. 1

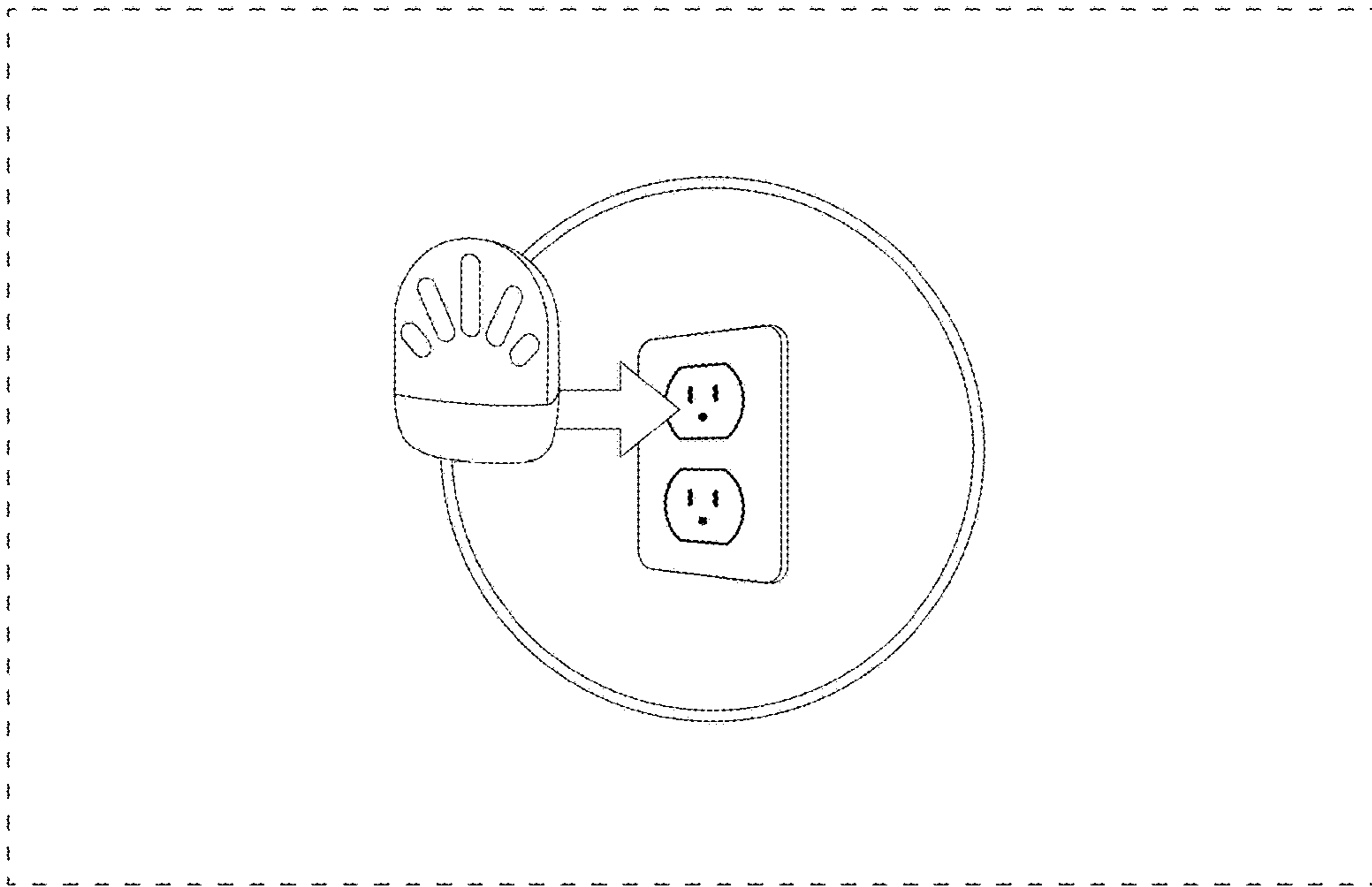


FIG. 2



FIG. 3

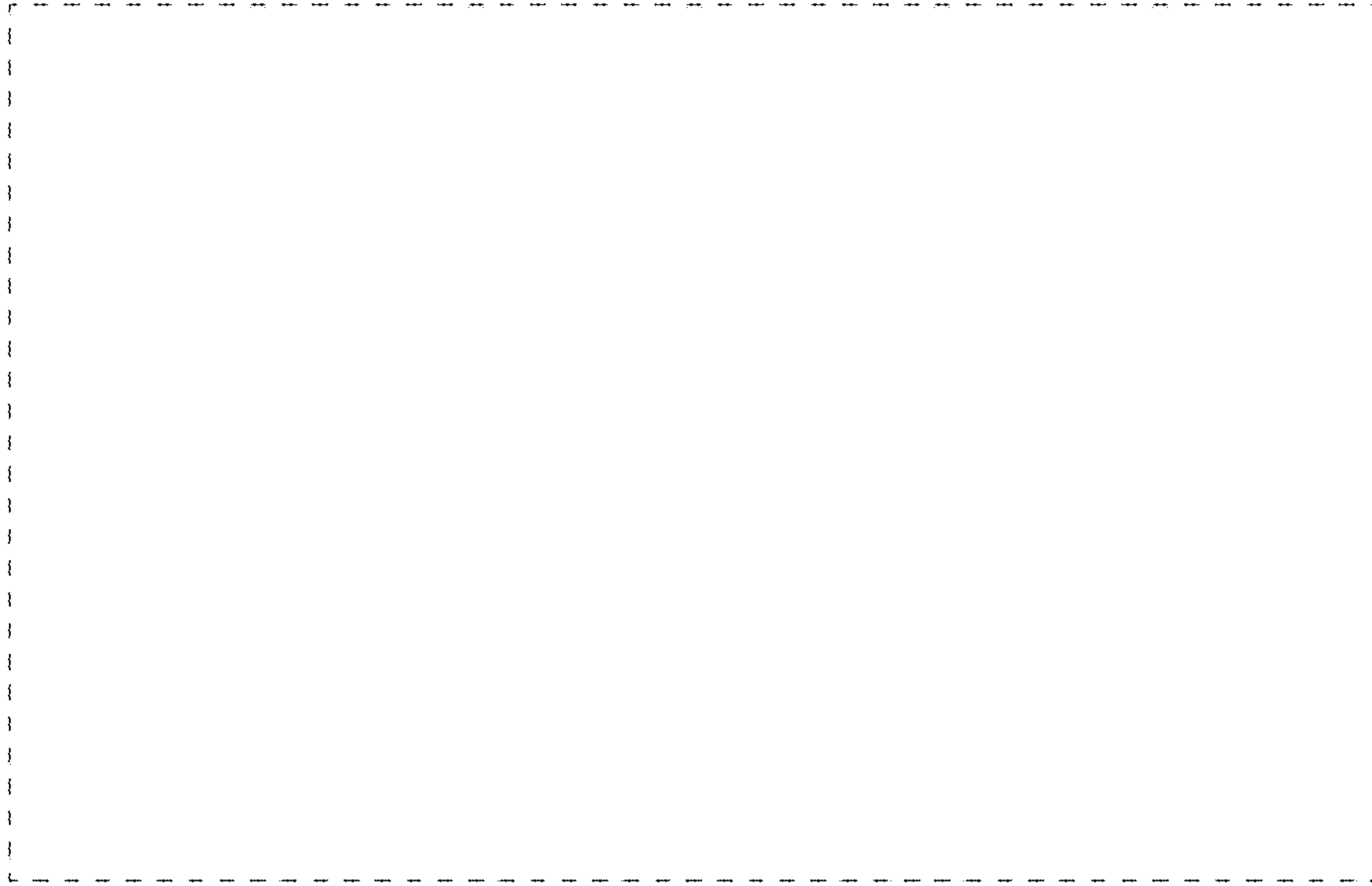


FIG. 4

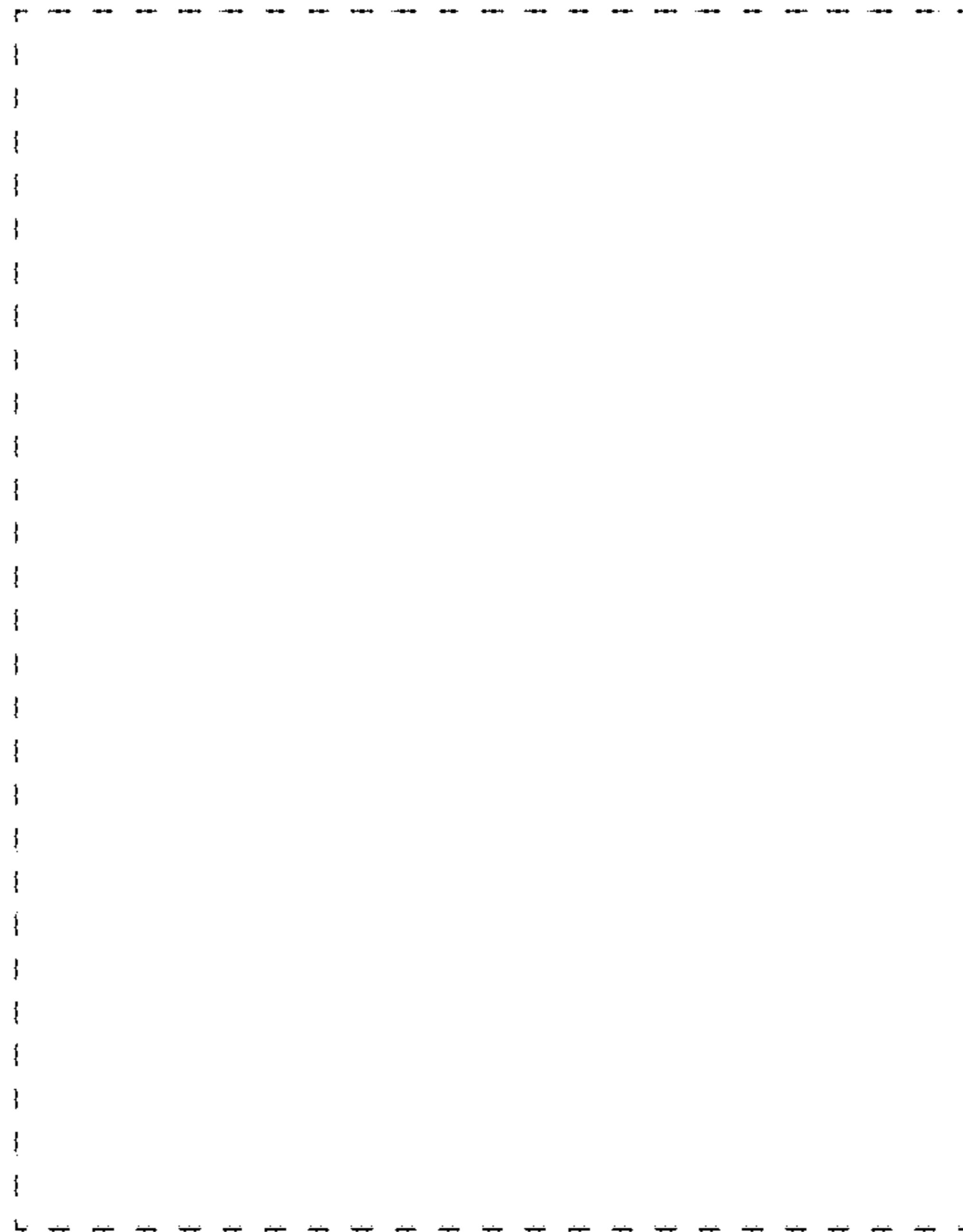


FIG. 5



FIG. 6



FIG. 7

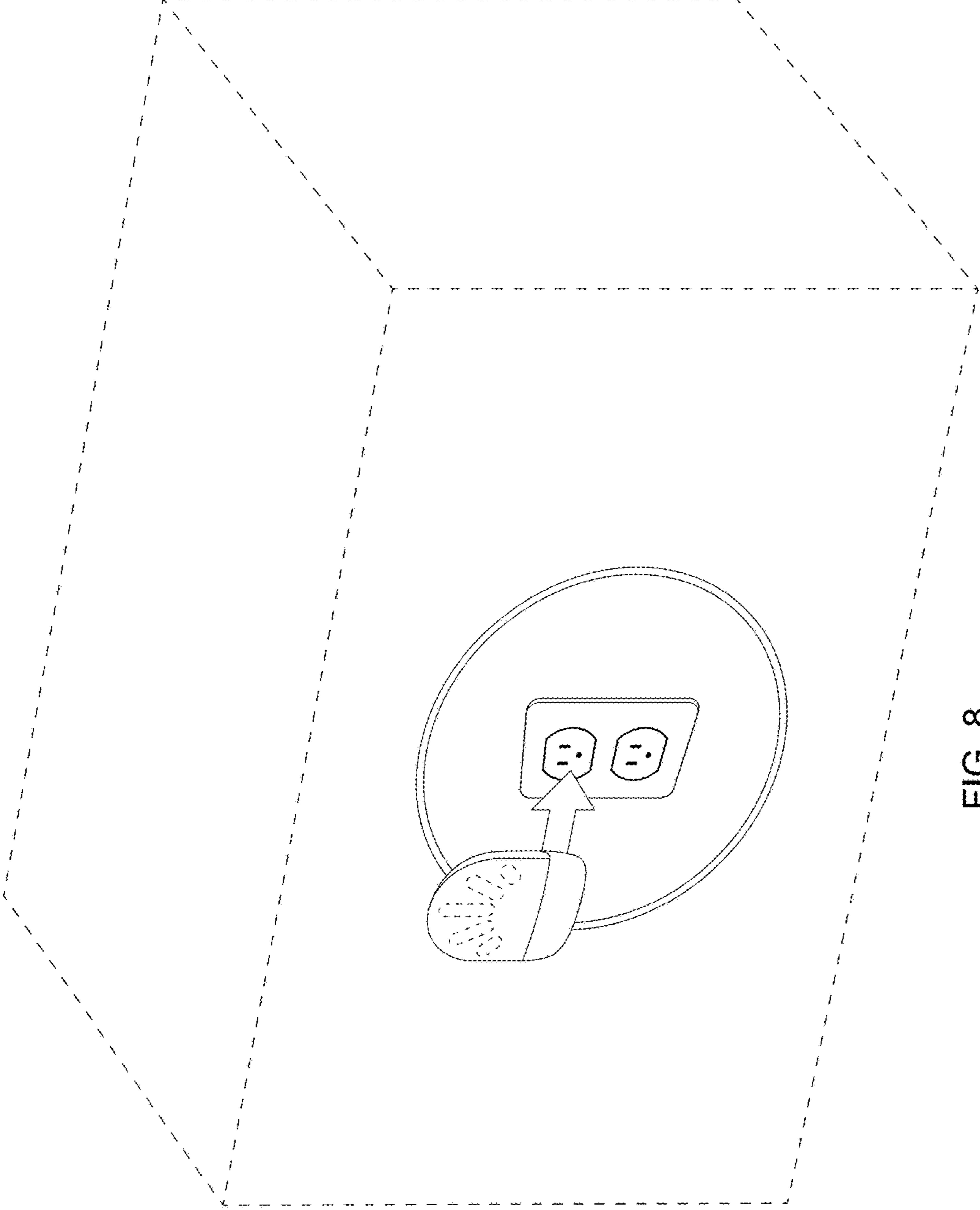


FIG. 8

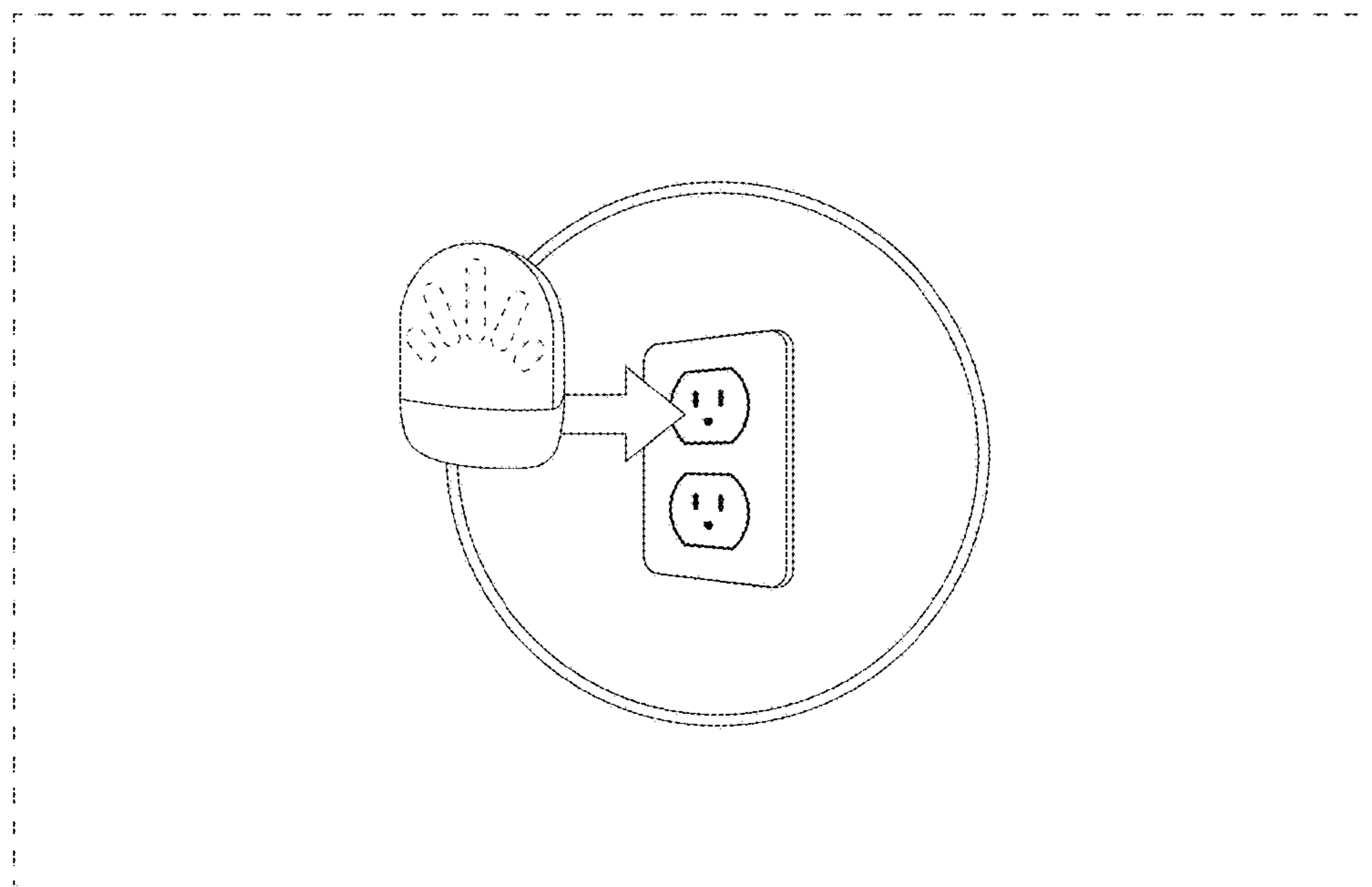


FIG. 9

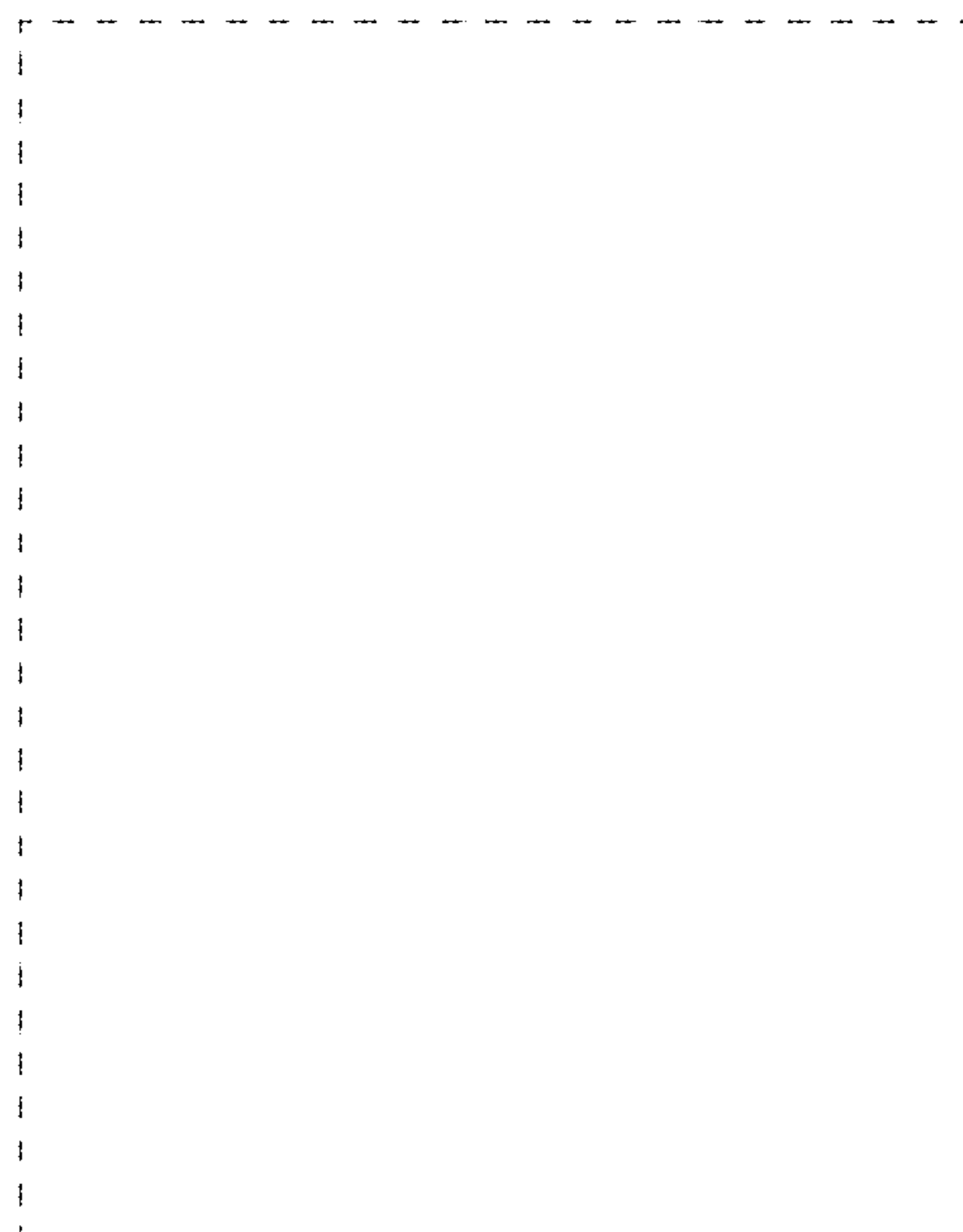


FIG. 10



FIG. 11

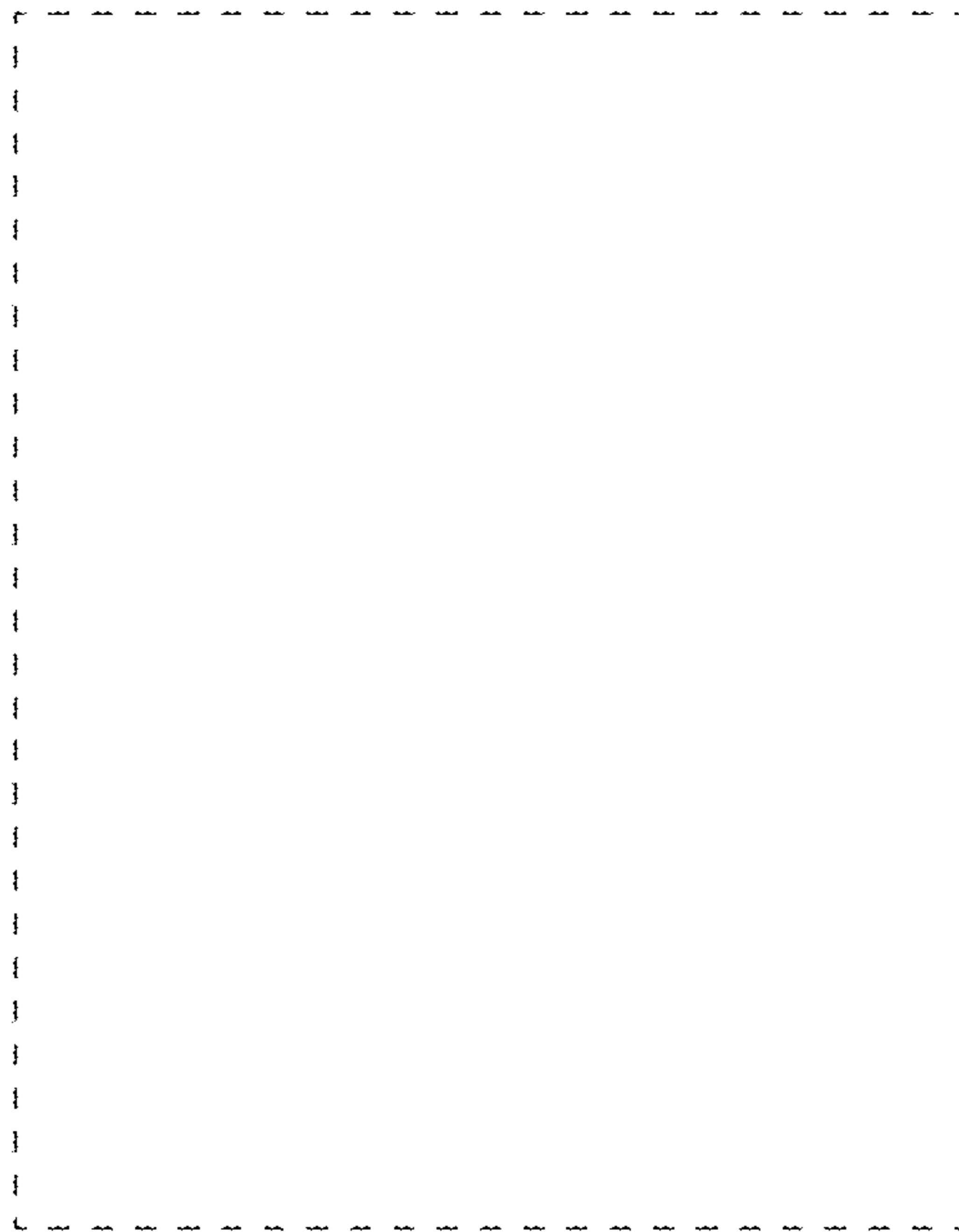


FIG. 12



FIG. 13

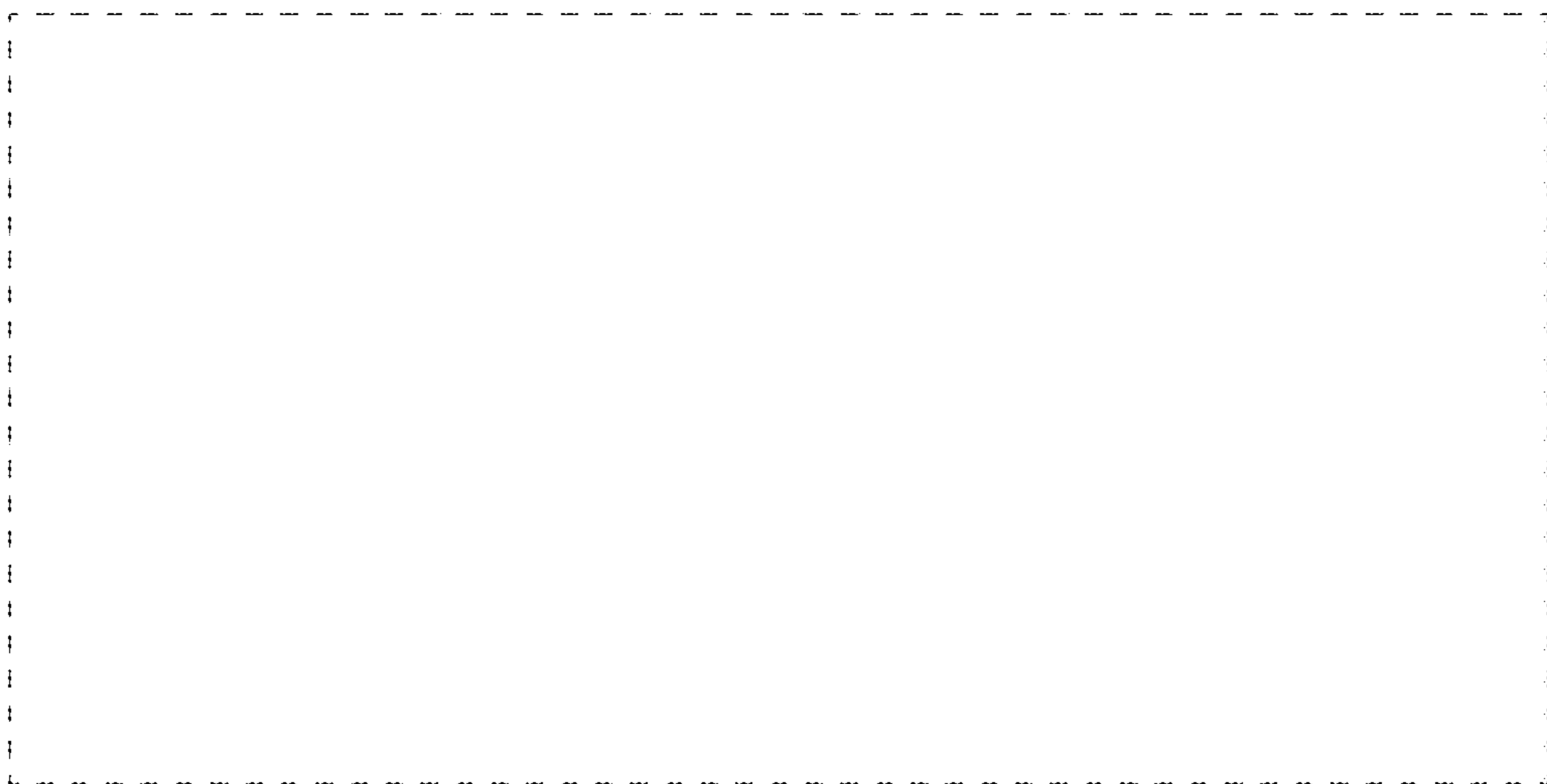


FIG. 14