



US00D808259S

(12) **United States Design Patent**
Goossens et al.

(10) **Patent No.:** **US D808,259 S**
(45) **Date of Patent:** **** Jan. 23, 2018**

- (54) **PRODUCT PACKAGING**
- (71) Applicant: **Google Inc.**, Mountain View, CA (US)
- (72) Inventors: **Erik Hubert Dolly Goossens**, San Francisco, CA (US); **Qifeng Liang**, Mountain View, CA (US); **Byeong Seon Oh**, Mountain View, CA (US)
- (73) Assignee: **GOOGLE LLC**, Mountain View, CA (US)
- (**) Term: **15 Years**
- (21) Appl. No.: **29/581,842**
- (22) Filed: **Oct. 21, 2016**
- (51) **LOC (11) Cl.** **09-03**
- (52) **U.S. Cl.**
USPC **D9/432**
- (58) **Field of Classification Search**
USPC D9/414, 415, 416, 418, 432, 433, 715, D9/721; D7/541, 542, 553.3, 554.1, D7/554.3, 554.4, 555, 586, 587
CPC B65D 5/38; B65D 5/4204; B65D 5/2009; B65D 5/5021; B65D 5/422; B65D 77/0413; B65D 11/12; B65D 5/22; B65D 5/5016; B65D 5/54; B65D 25/10; B65D 5/4266; B65D 5/5007; B65D 5/5435; B65D 77/0433; B65D 75/327; B65D 75/36; B65D 25/04; B65D 25/205; B65D 5/503; B65D 5/5035; B65D 77/003; B65D 77/02
See application file for complete search history.

- (56) **References Cited**
U.S. PATENT DOCUMENTS
D383,064 S * 9/1997 Tsukikawa D9/432
6,095,408 A * 8/2000 Nguyen B65D 5/2009
229/120.21

- D574,230 S * 8/2008 Bowman D9/418
- D625,598 S * 10/2010 Ruth D9/415
- D635,456 S * 4/2011 Yan D9/432
- 8,746,444 B2 * 6/2014 Dehlin B65D 5/38
206/1.5
- D726,819 S * 4/2015 Botha D19/75
- 2006/0266672 A1 * 11/2006 Young B65D 77/0433
206/776
- 2006/0266812 A1 * 11/2006 Von Bokel B65D 71/36
229/117.14

(Continued)

Primary Examiner — Lauren Calve
(74) *Attorney, Agent, or Firm* — Brake Hughes
Bellermann LLP

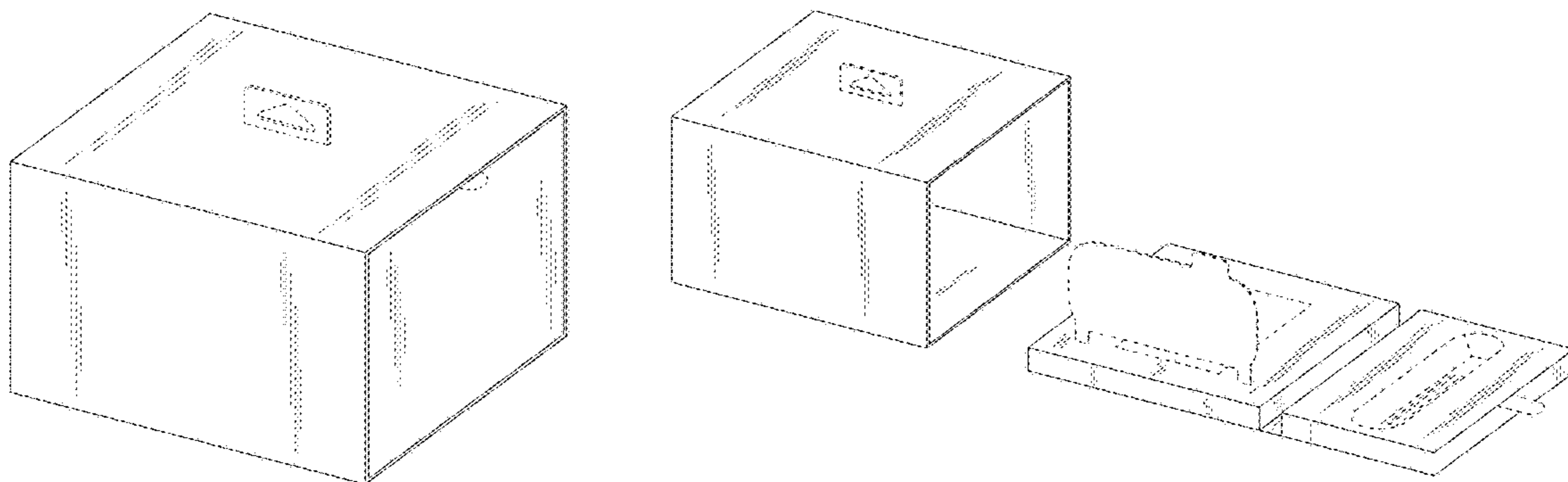
(57) **CLAIM**

The ornamental design for a product packaging, substantially as shown and described.

DESCRIPTION

FIG. 1 is a perspective view of a product packaging.
 FIG. 2 is a front view of the product packaging in FIG. 1.
 FIG. 3 is a rear view of the product packaging in FIG. 1.
 FIG. 4 is a left view of the product packaging in FIG. 1.
 FIG. 5 is a right view of the product packaging in FIG. 1.
 FIG. 6 is a top view of the product packaging in FIG. 1.
 FIG. 7 is a bottom view of the product packaging in FIG. 1.
 FIG. 8 is an exploded perspective view of the product packaging in FIG. 1.
 FIG. 9 is a front view of the product packaging in FIG. 8.
 FIG. 10 is a rear view of the product packaging in FIG. 8.
 FIG. 11 is a left view of the product packaging in FIG. 8.
 FIG. 12 is a right view of the product packaging in FIG. 8.
 FIG. 13 is a top view of the product packaging in FIG. 8;
 and,
 FIG. 14 is a bottom view of the product packaging in FIG. 8.
 The broken lines are for illustrative purposes only and form no part of the claimed design.

1 Claim, 14 Drawing Sheets



(56)

References Cited

U.S. PATENT DOCUMENTS

2007/0251983 A1* 11/2007 Freeze A61J 7/0069
229/125.125
2008/0060975 A1* 3/2008 Young B65D 5/38
206/745
2008/0314780 A1* 12/2008 Weston B65D 5/38
206/363
2016/0001937 A1* 1/2016 Skinner B65D 5/38
206/1.5
2017/0050797 A1* 2/2017 Farid B65D 85/34
2017/0060262 A1* 3/2017 Hviid G06F 3/03
2017/0081098 A1* 3/2017 Vercoe A61J 7/04
2017/0217658 A1* 8/2017 Whitehurst B65D 5/38

* cited by examiner

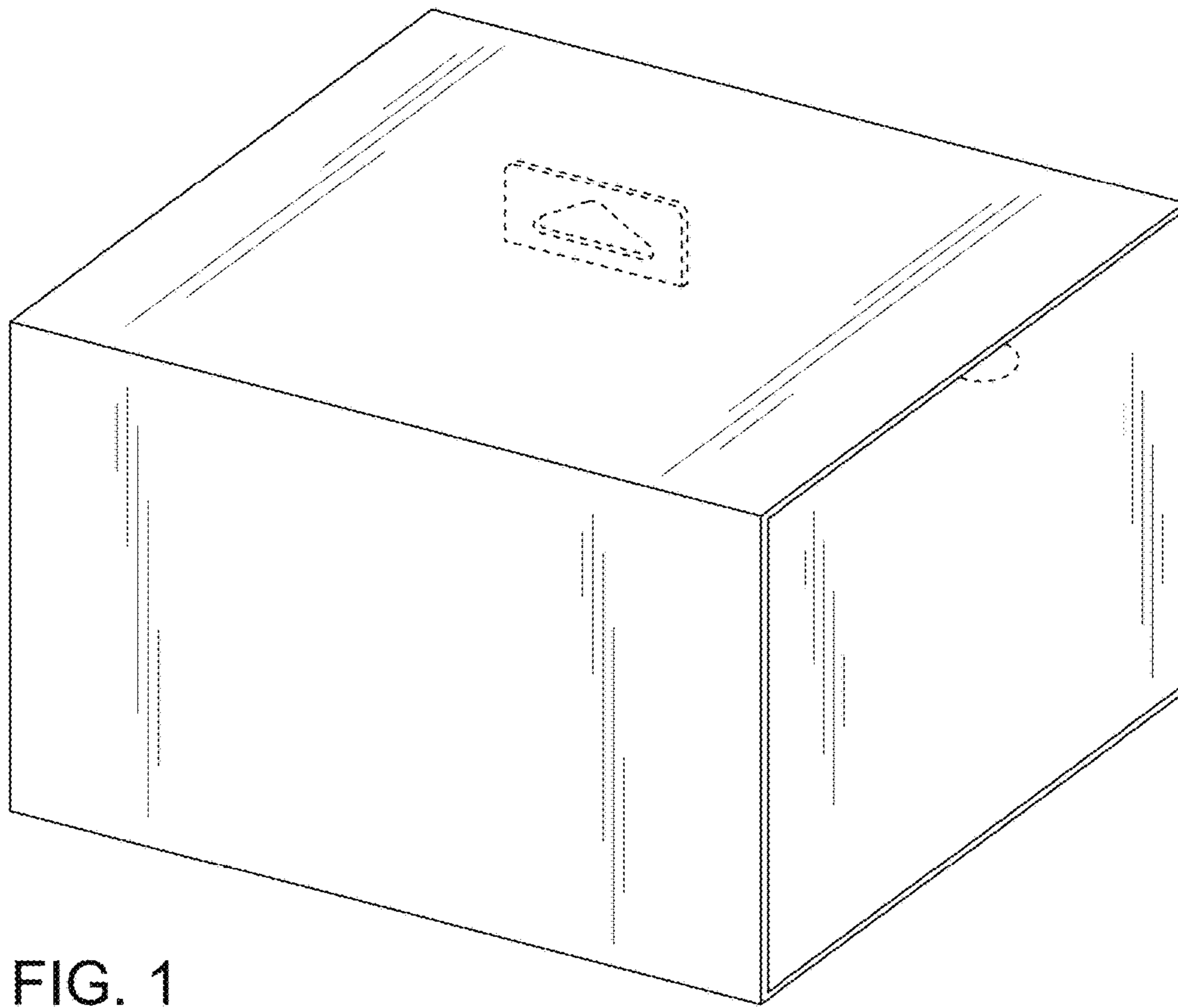


FIG. 1

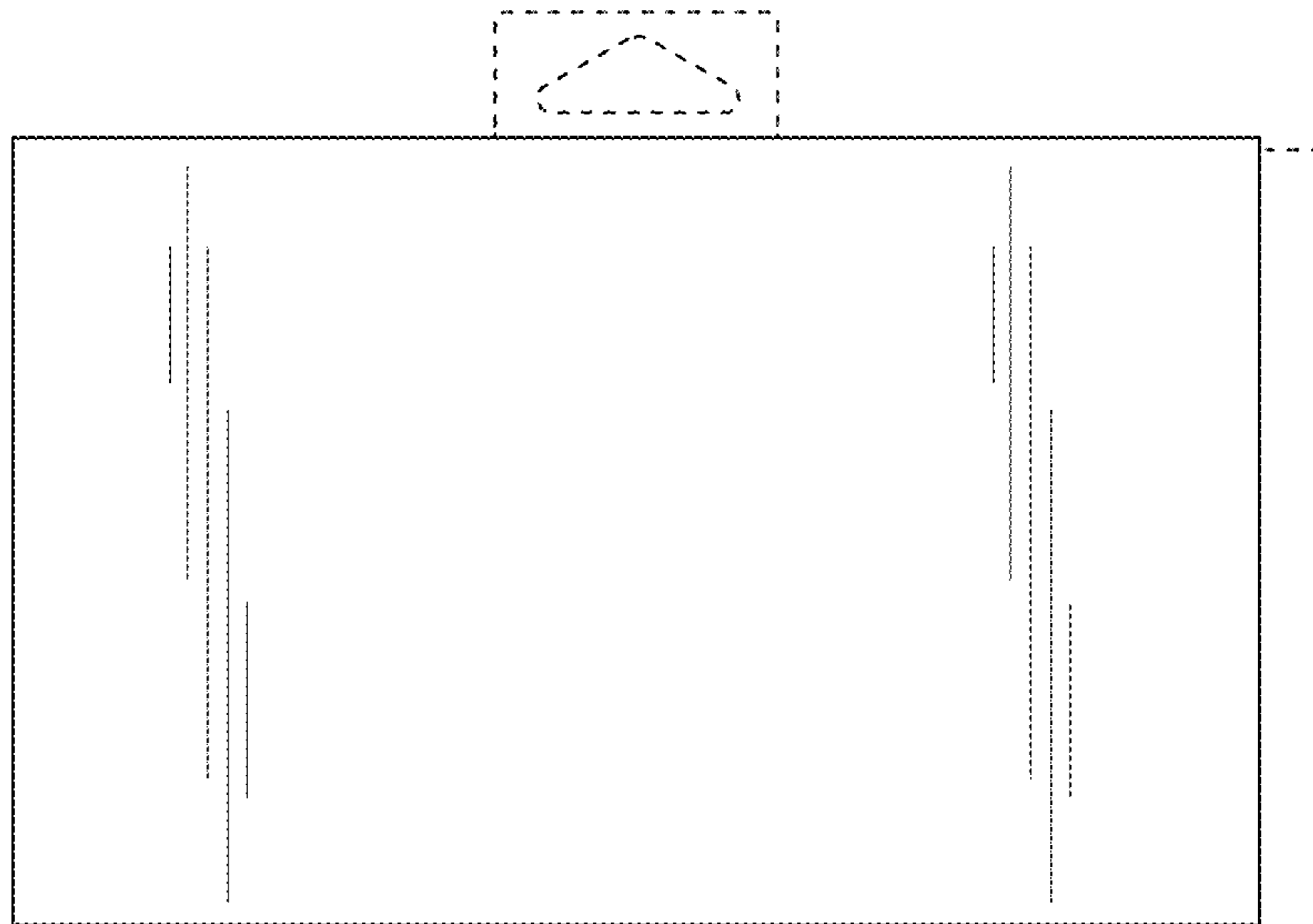


FIG. 2

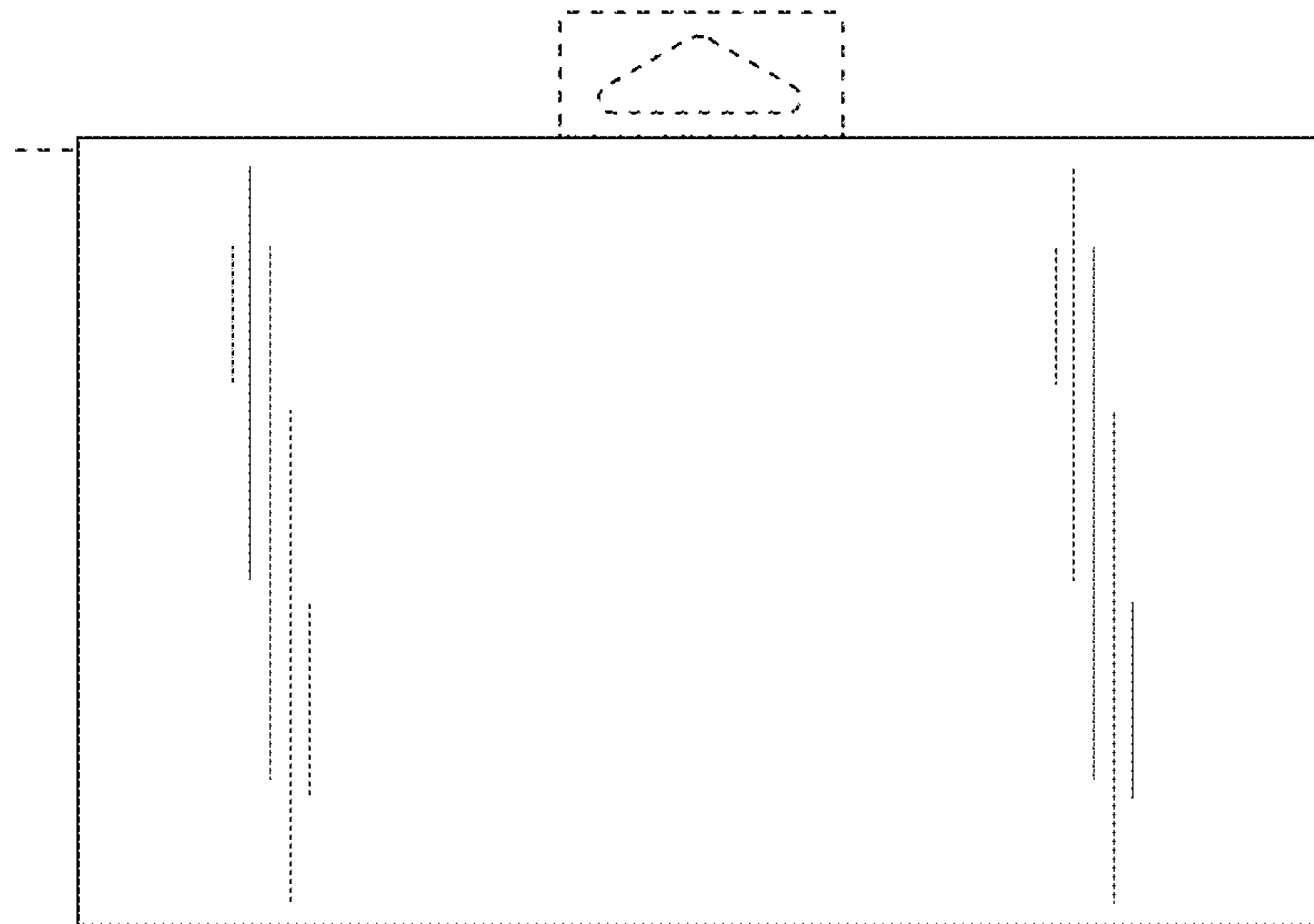


FIG. 3

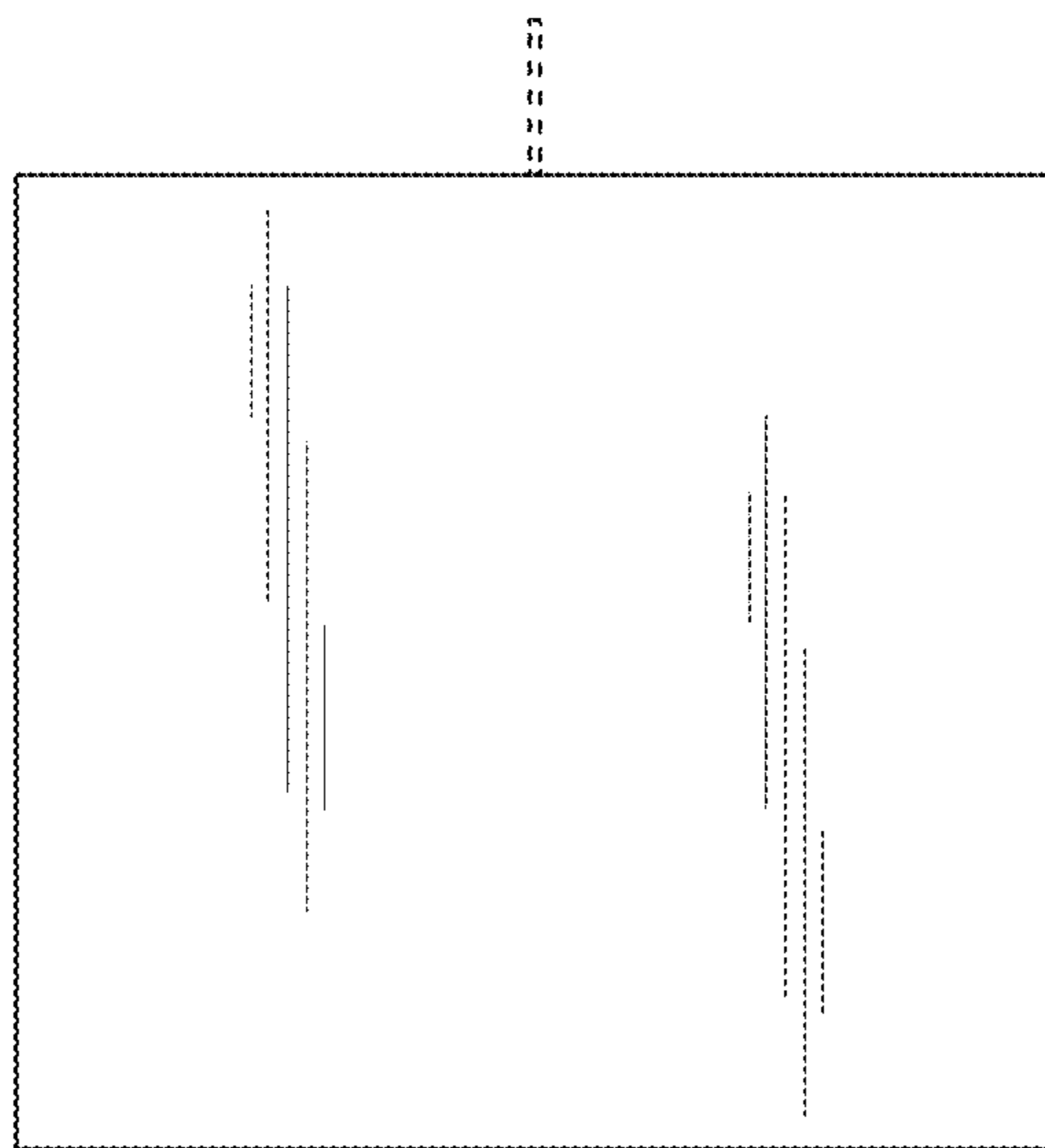


FIG. 4

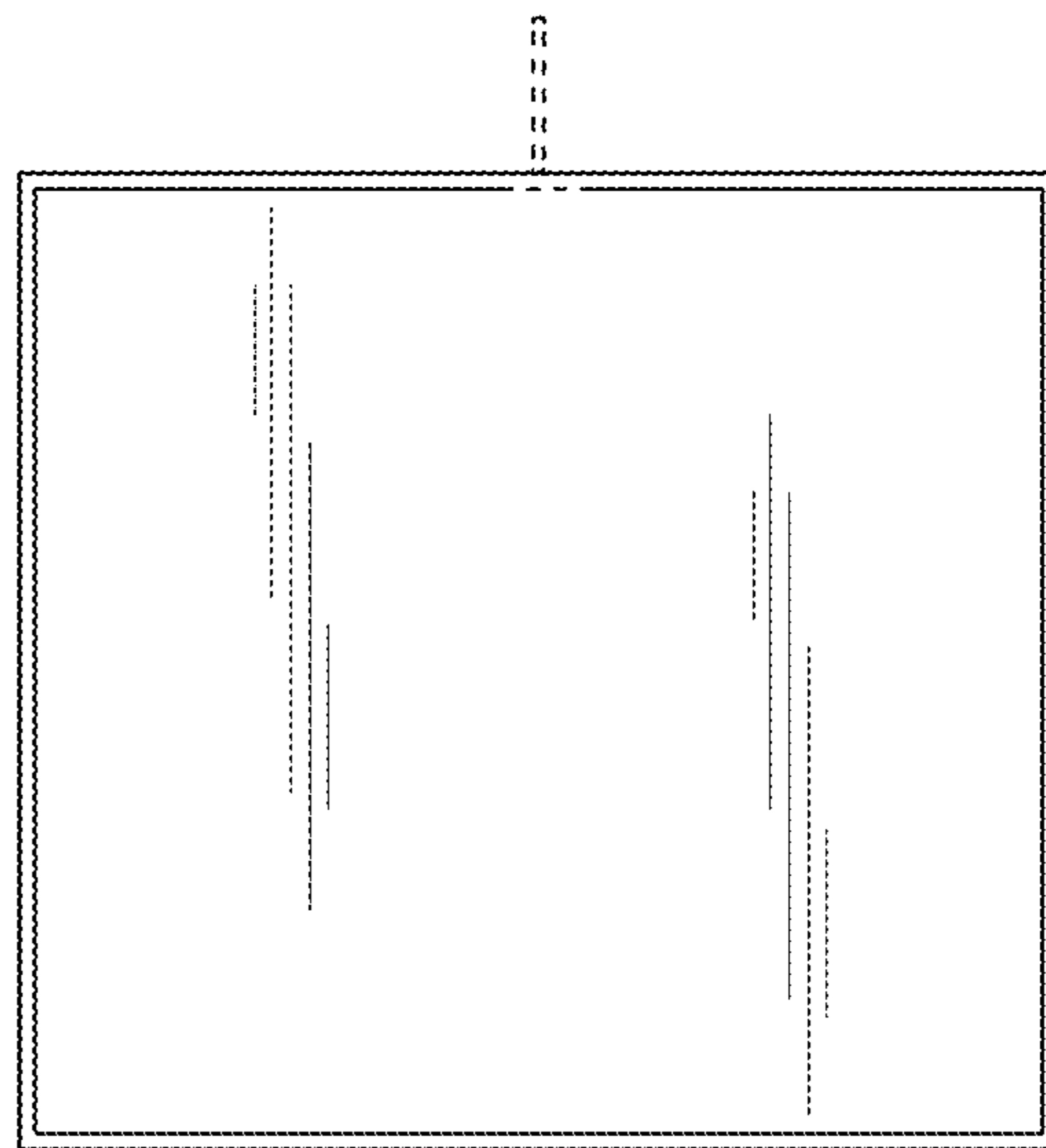


FIG. 5

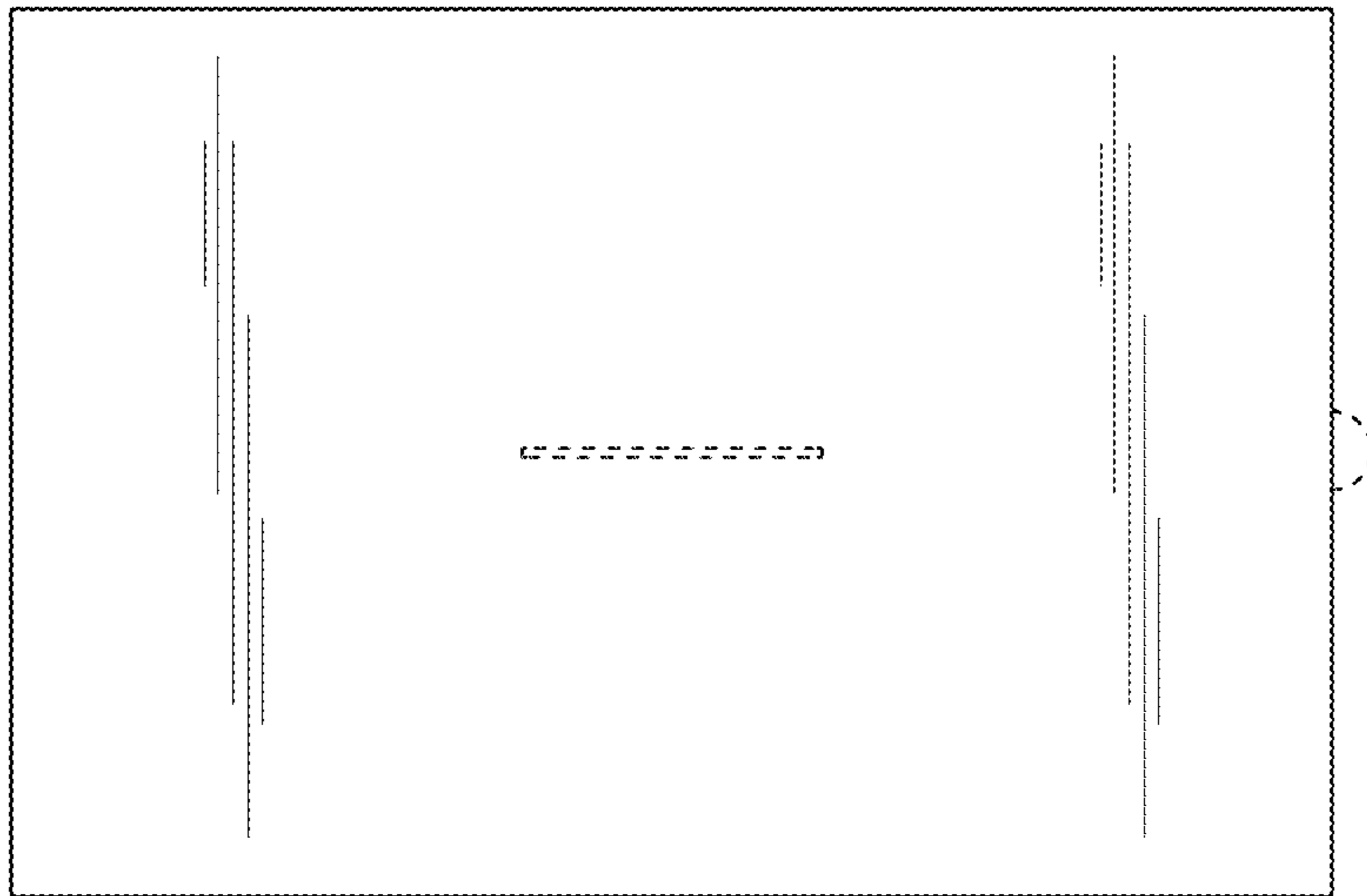


FIG. 6

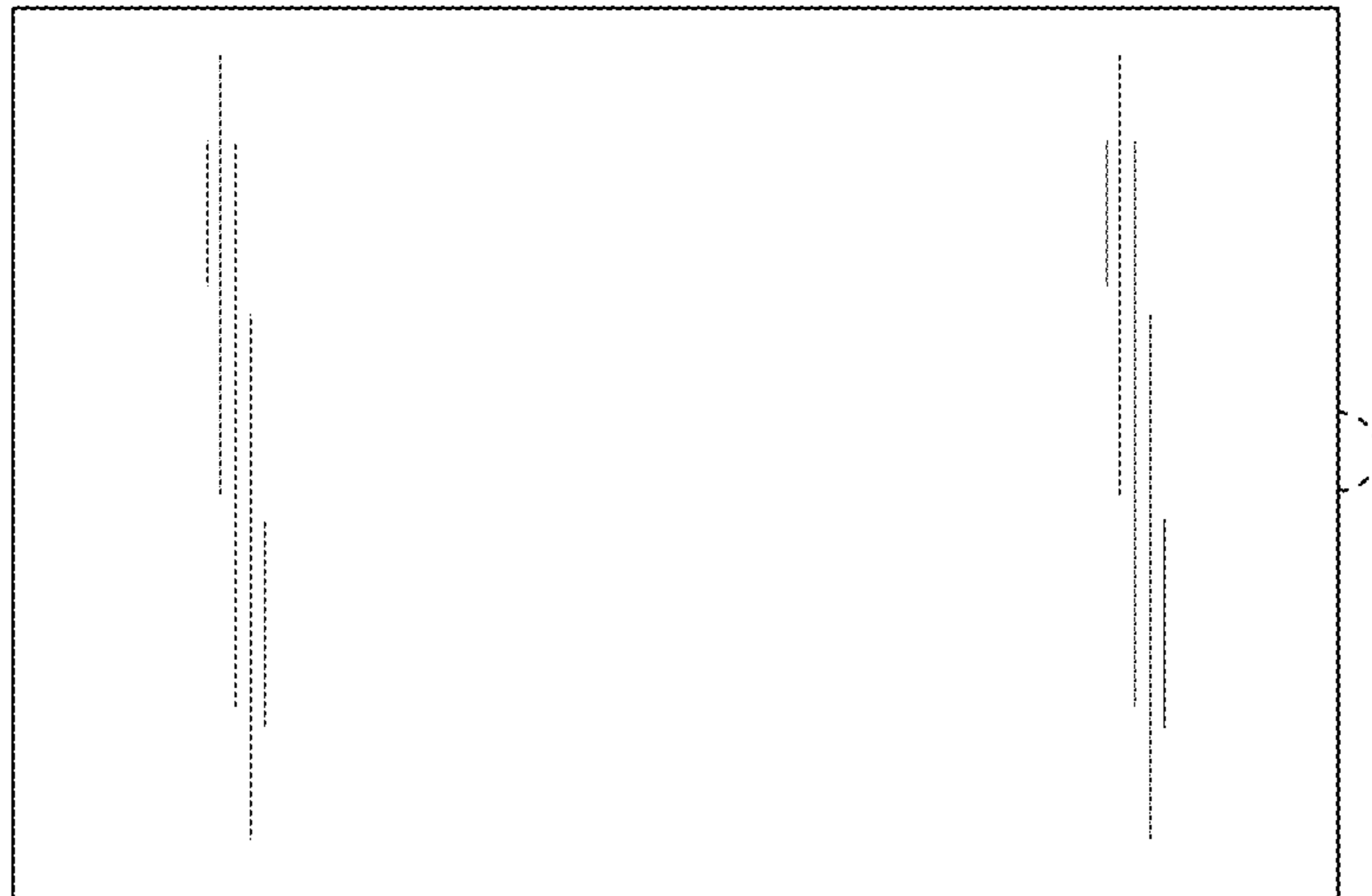


FIG. 7

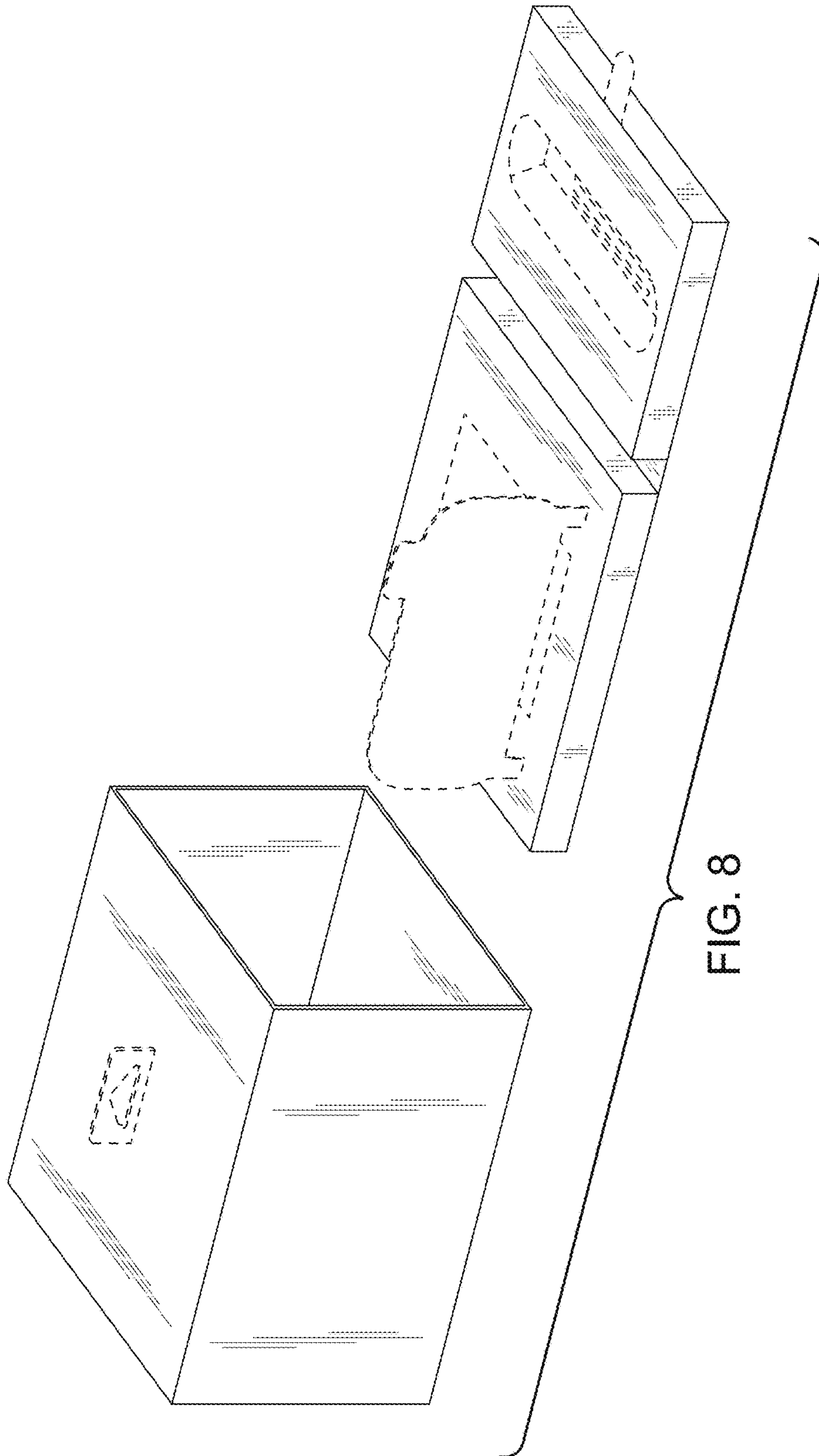


FIG. 8

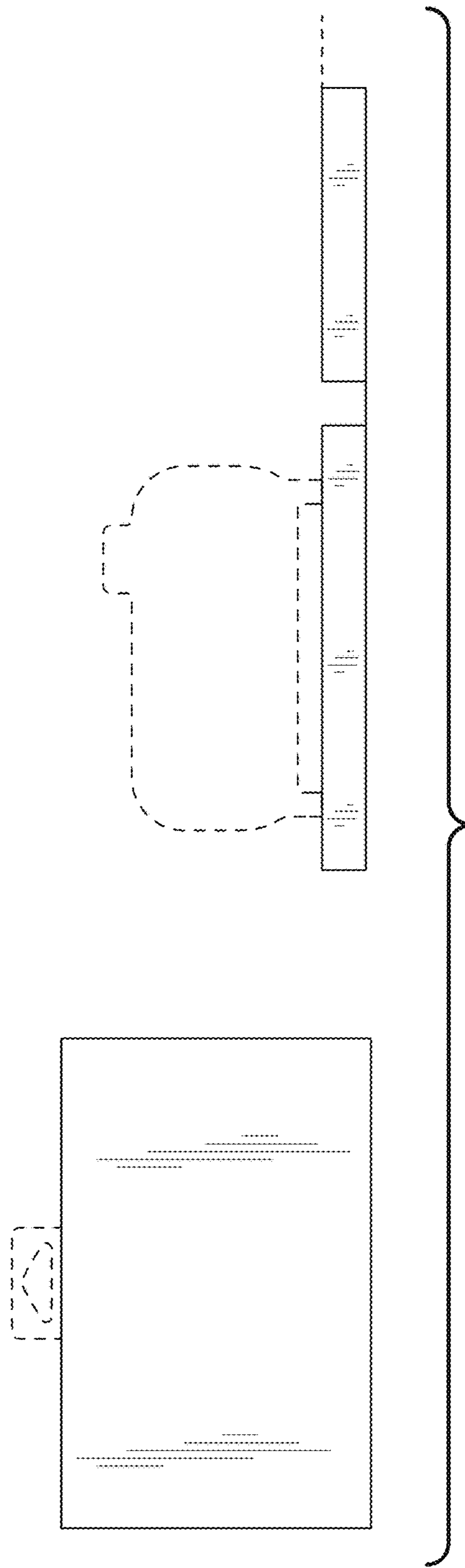


FIG. 9

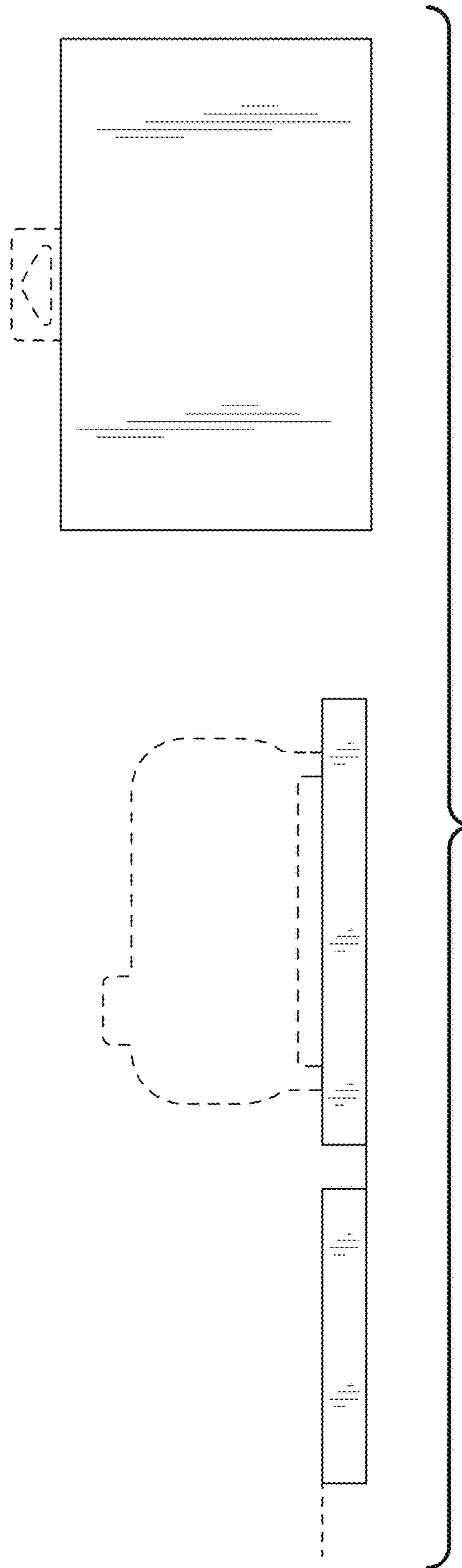


FIG. 10

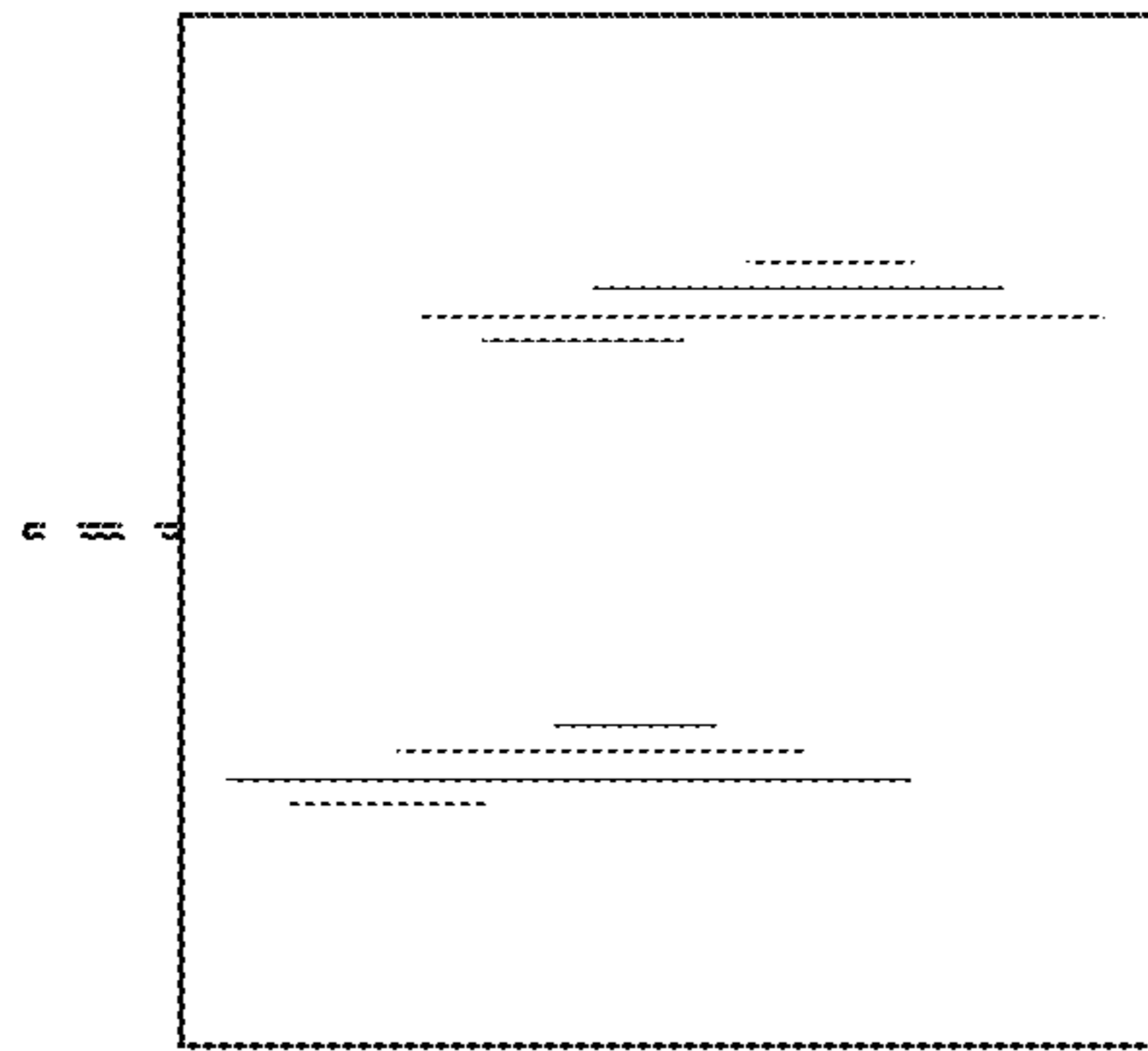


FIG. 11

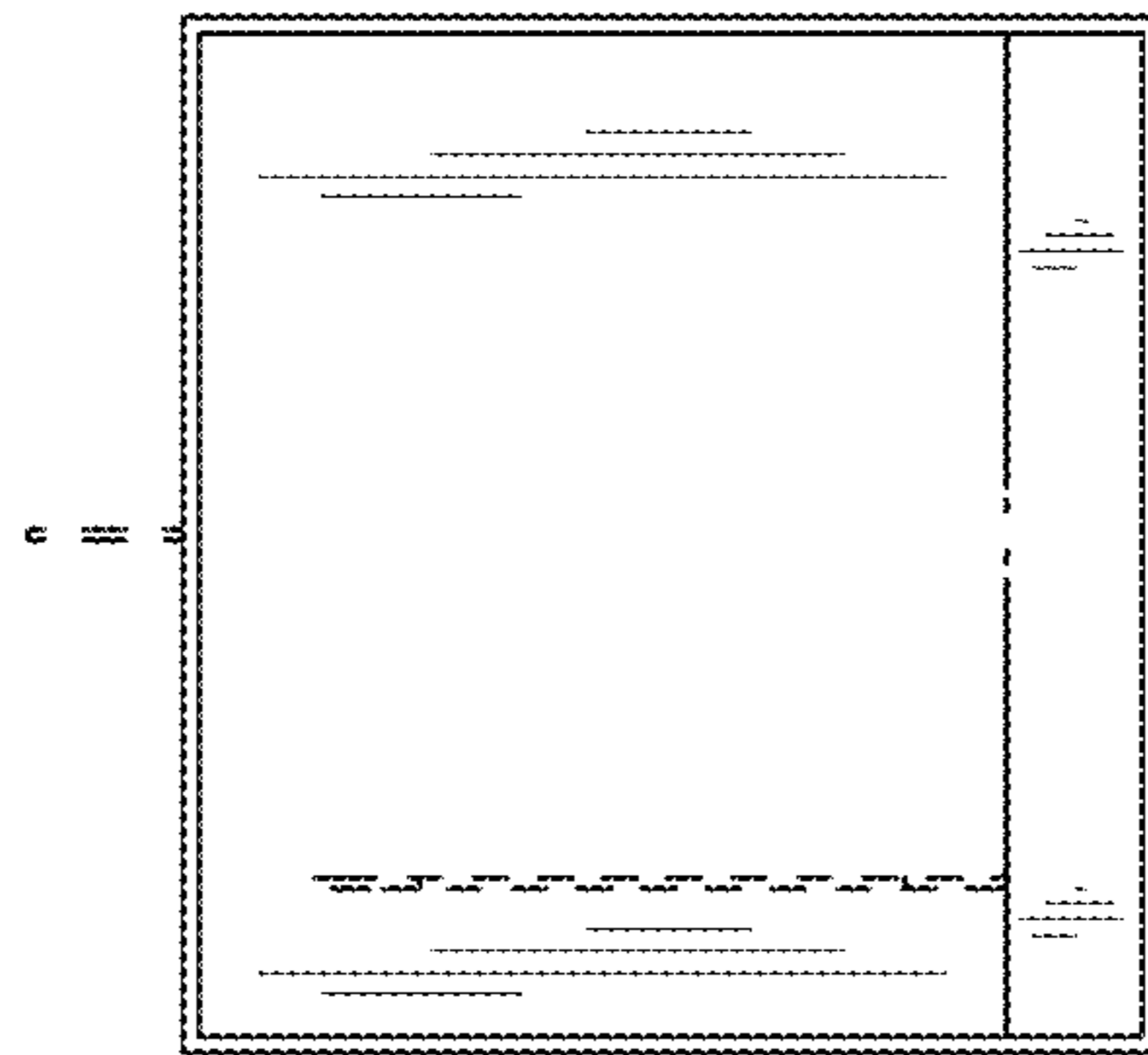
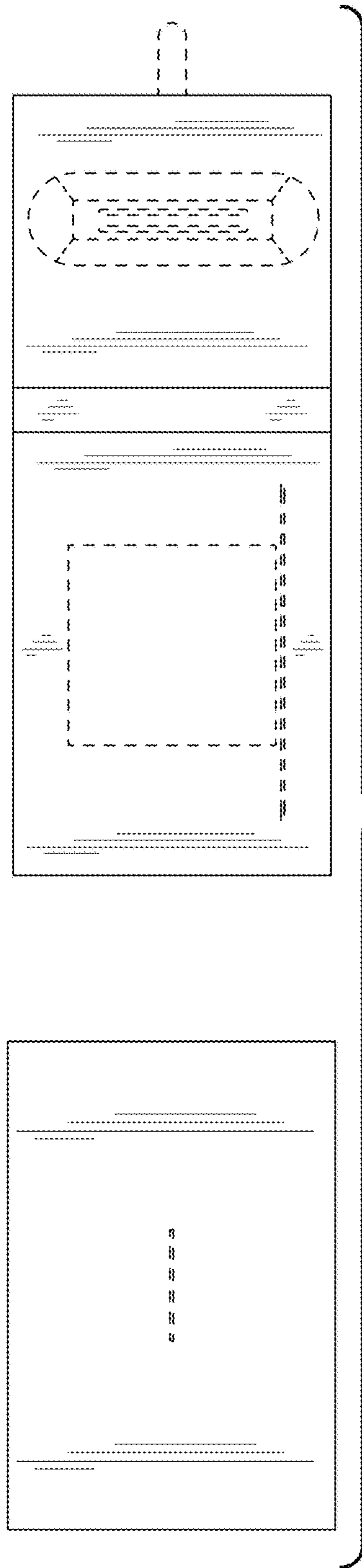


FIG. 12



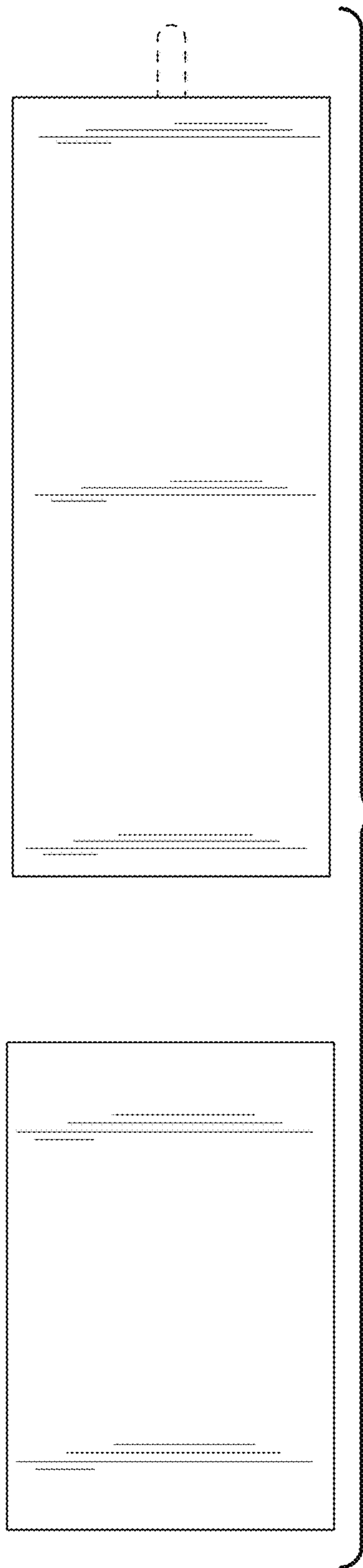


FIG. 14

UNITED STATES PATENT AND TRADEMARK OFFICE
CERTIFICATE OF CORRECTION

PATENT NO. : D808,259 S
APPLICATION NO. : 29/581842
DATED : January 23, 2018
INVENTOR(S) : Goossens et al.

Page 1 of 1

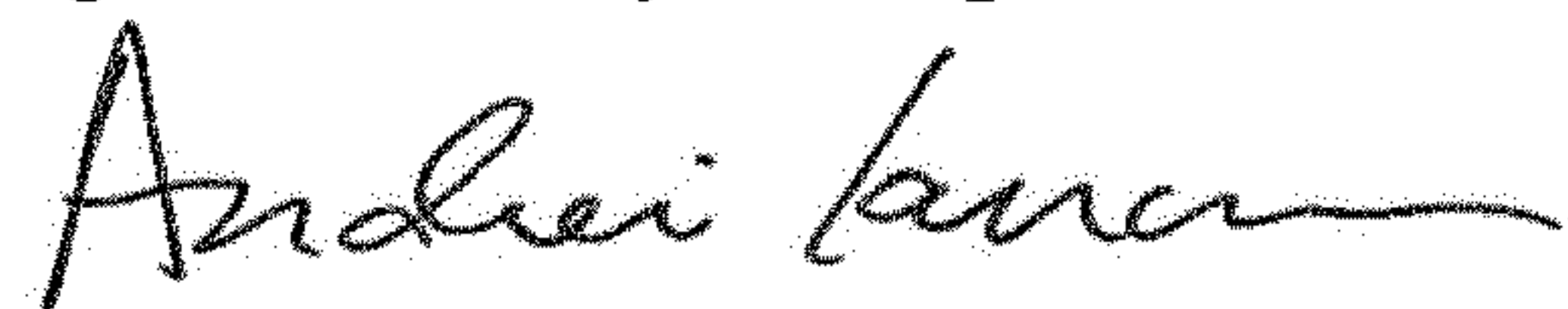
It is certified that error appears in the above-identified patent and that said Letters Patent is hereby corrected as shown below:

On the Title Page

Column 1, Item (72), in "Inventors", Line 2, delete "Francsico," and insert -- Francisco, --, therefor.

Column 2, Item (57), under "DESCRIPTION", Lines 14-15, delete "FIG. 8; and," and insert -- FIG. 8. --, therefor.

Signed and Sealed this
Eighteenth Day of September, 2018



Andrei Iancu
Director of the United States Patent and Trademark Office