



US00D808258S

(12) **United States Design Patent** (10) **Patent No.:** **US D808,258 S**  
**Lee** (45) **Date of Patent:** **\*\* \*Jan. 23, 2018**

- (54) **TAPERED BOX** 2,947,462 A \* 8/1960 Bostock ..... B65D 5/448  
229/117.16
- (71) Applicant: **United States Postal Service,** 3,302,852 A 2/1967 Johnson  
Washington, DC (US) 3,758,018 A 9/1973 Black  
3,849,224 A 11/1974 Hintz et al.  
3,866,745 A 2/1975 Dlugopolski
- (72) Inventor: **Jim E. Lee,** Washington, DC (US) 4,088,262 A 5/1978 Kuehlhorn  
4,101,022 A 7/1978 Watkins
- (73) Assignee: **United States Postal Service,** 4,124,679 A 11/1978 DeWitt  
Washington, DC (US) 4,324,357 A 4/1982 Murkowski  
4,739,921 A \* 4/1988 Taub ..... B65D 5/48024  
229/120.32
- (\* ) Notice: This patent is subject to a terminal disclaimer. 5,011,071 A \* 4/1991 Lopez ..... B65D 5/0281  
229/117
- (\*\* ) Term: **15 Years** D326,341 S \* 5/1992 Frauhiger ..... D3/313  
5,184,772 A 2/1993 McGrath

(Continued)

(21) Appl. No.: **29/568,253**

(22) Filed: **Jun. 16, 2016**

(51) **LOC (11) Cl.** ..... **09-03**

(52) **U.S. Cl.**  
USPC ..... **D9/431; D9/432**

(58) **Field of Classification Search**  
USPC ..... D9/414-434, 442-445, 456, 457, 542,  
D9/563, 600, 614-624.655, 657, 658,  
D9/661, 685, 695, 697-699, 707, 708,  
D9/711, 754, 759, 772-776; D3/273,  
D3/276, 304, 305, 307, 309-313;  
D7/601, 602, 709; D19/75, 90  
CPC ..... B65D 5/00; B65D 5/001; B65D 5/0015;  
B65D 5/0227-5/0254; B65D 5/18; B65D  
5/6605; B65D 5/48024; B65B 5/06  
See application file for complete search history.

(56) **References Cited**

**U.S. PATENT DOCUMENTS**

- 1,941,514 A 1/1934 Sutherland
- 2,418,963 A \* 4/1947 Anderson, Jr. .... B65D 5/0281  
229/117.17
- 2,572,387 A 10/1951 Rayburn
- 2,591,882 A 4/1952 Frederick
- 2,874,866 A 2/1959 Rudy
- 2,902,200 A 9/1959 Manners

**FOREIGN PATENT DOCUMENTS**

- EP 1876103 A1 1/2008
- GB 2077703 A 12/1981
- GB 2085409 A 4/1982

*Primary Examiner* — Vy N Koenig  
*Assistant Examiner* — Omeed Agilee  
(74) *Attorney, Agent, or Firm* — Knobbe Martens Olson  
& Bear LLP

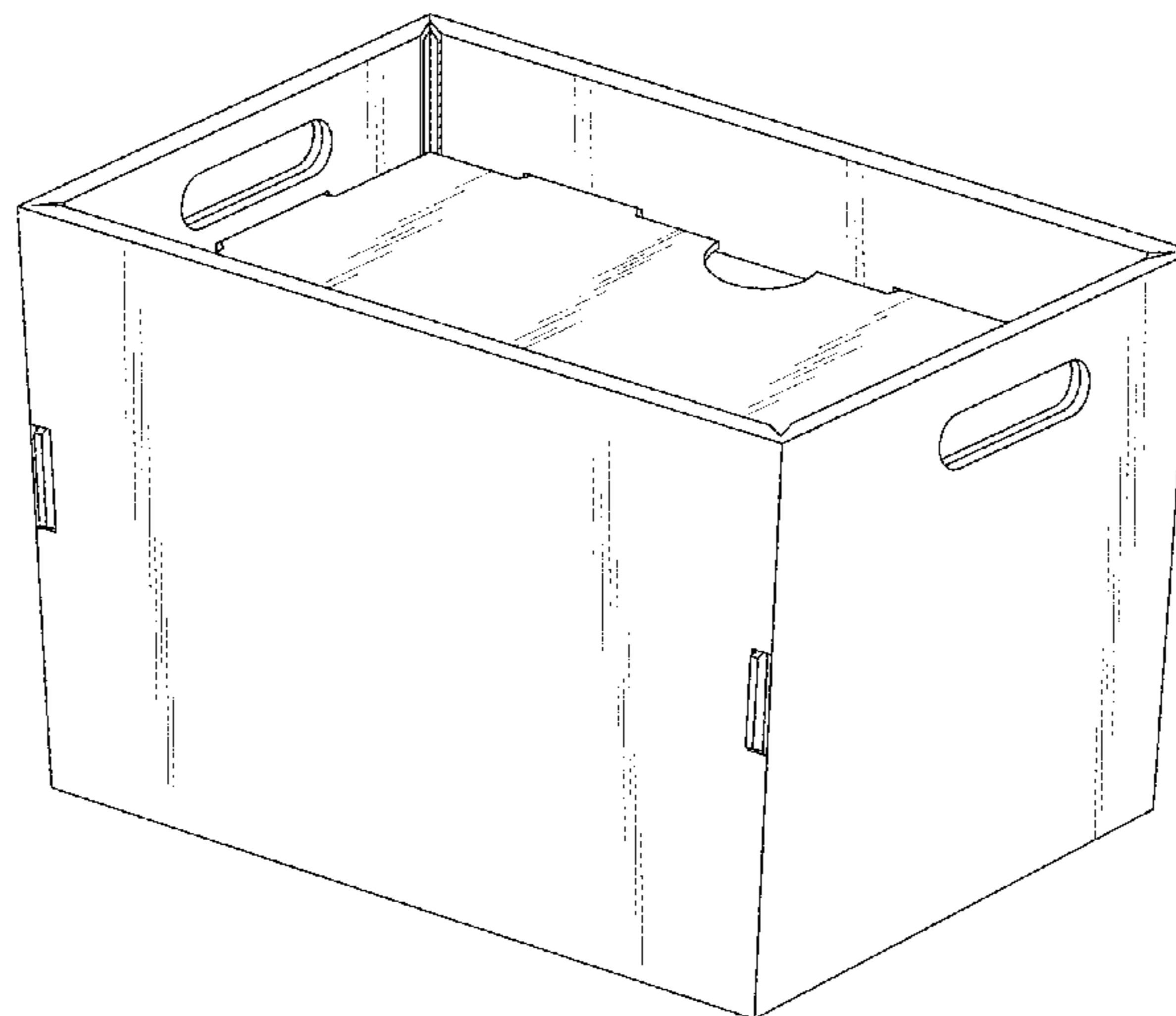
(57) **CLAIM**

The ornamental design for a tapered box, as shown and described.

**DESCRIPTION**

FIG. 1 is a front, top, and left perspective view of the tapered box showing my new design.  
FIG. 2 is a top plan view thereof.  
FIG. 3 is a bottom plan view thereof.  
FIG. 4 is a front elevational view thereof.  
FIG. 5 is a rear elevational view thereof.  
FIG. 6 is a left side elevational view thereof; and,  
FIG. 7 is a right side elevational view thereof.

**1 Claim, 6 Drawing Sheets**



(56)

References Cited

U.S. PATENT DOCUMENTS

5,228,617 A 7/1993 McGrath  
 5,240,176 A 8/1993 Akers  
 5,263,635 A 11/1993 Fitzgerald  
 5,271,551 A 12/1993 Roepke  
 5,275,331 A 1/1994 Chung-Piao  
 5,494,161 A 2/1996 Herbst  
 D424,117 S \* 5/2000 Steinbeck ..... D19/75  
 D425,128 S \* 5/2000 Conley ..... D19/75  
 D425,562 S \* 5/2000 Conley ..... D19/75  
 6,402,020 B1 6/2002 McClure  
 6,719,191 B1 4/2004 Christensen et al.  
 D501,318 S \* 2/2005 Louie ..... D3/304  
 D505,069 S 5/2005 Keberlein  
 D514,928 S 2/2006 Keberlein  
 D538,536 S 3/2007 Kopenhaver et al.  
 D542,532 S \* 5/2007 Kopenhaver ..... D3/305  
 D546,675 S 7/2007 Keberlein  
 7,370,757 B2 \* 5/2008 Scheid, Sr. .... B65D 5/509  
 206/320  
 D584,143 S 1/2009 Lee  
 D598,285 S \* 8/2009 Mittelstaedt ..... D9/456  
 D605,899 S \* 12/2009 Meether ..... D7/605

D608,634 S 1/2010 Riedi  
 7,870,993 B2 1/2011 Walling  
 D651,908 S 1/2012 Boyer et al.  
 D652,312 S 1/2012 Boyer et al.  
 D657,687 S 4/2012 Boyer et al.  
 D666,830 S 9/2012 Glenn  
 D705,054 S \* 5/2014 McCarthy ..... D9/432  
 D719,018 S 12/2014 Levy et al.  
 D727,142 S 4/2015 Bankowskl  
 D742,740 S 11/2015 Kim et al.  
 D745,392 S 12/2015 Solovov, Jr. et al.  
 9,242,759 B2 1/2016 Scott  
 D749,944 S \* 2/2016 Kummerfeldt ..... D9/432  
 D764,279 S 8/2016 Sevsek  
 D766,020 S \* 9/2016 Thatcher ..... D6/667  
 D770,771 S \* 11/2016 Lisso ..... D3/304  
 D780,452 S \* 3/2017 Stratton ..... D3/305  
 2005/0017063 A1 \* 1/2005 Noone ..... B65D 5/0015  
 229/176  
 2005/0150939 A1 7/2005 Fakes et al.  
 2006/0213958 A1 9/2006 Valenzuela et al.  
 2009/0173773 A1 7/2009 Blin  
 2011/0204130 A1 \* 8/2011 McLeod ..... B65D 5/4608  
 229/126  
 2016/0137333 A1 5/2016 Brundage

\* cited by examiner

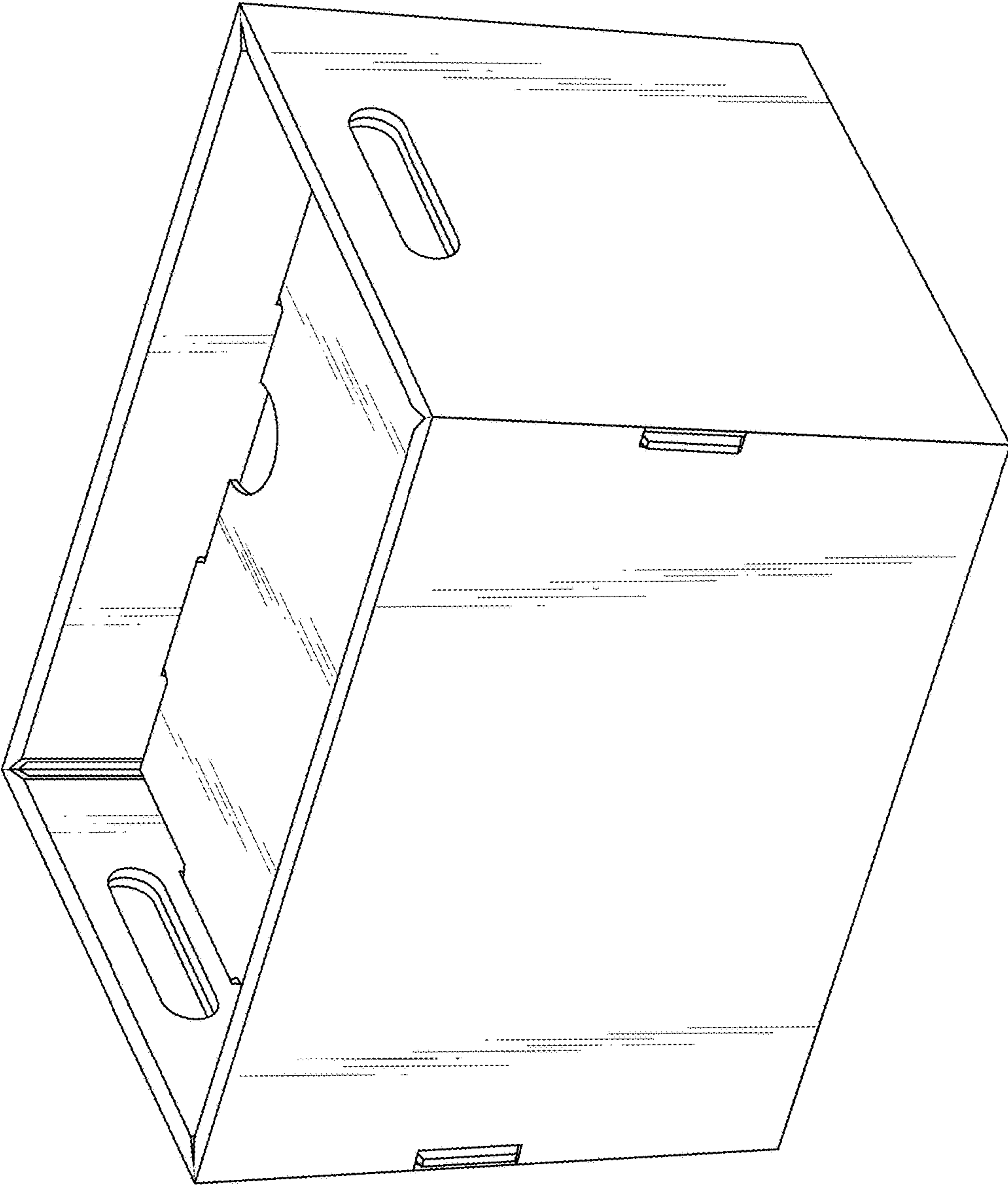


FIG. 1

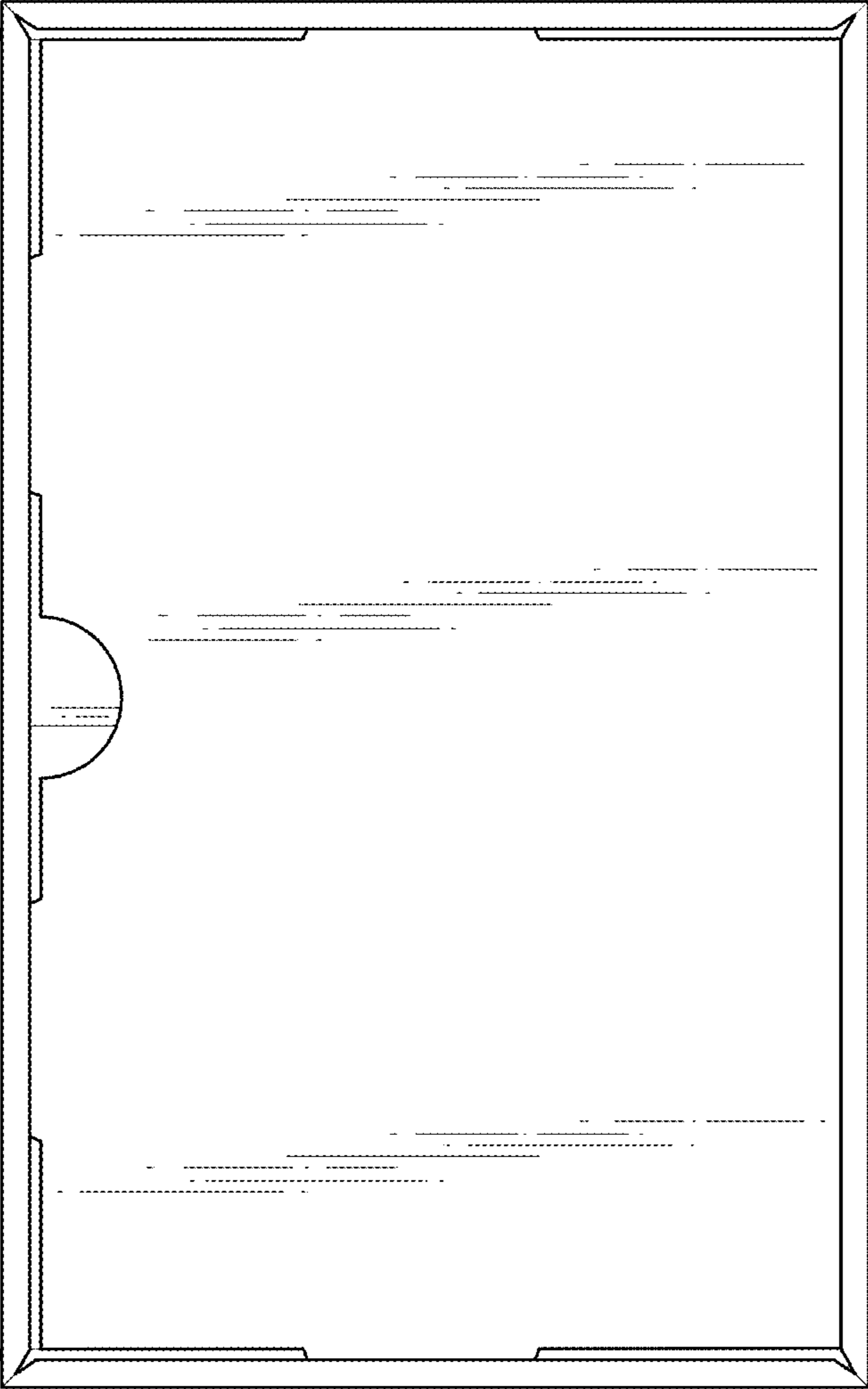


FIG. 2

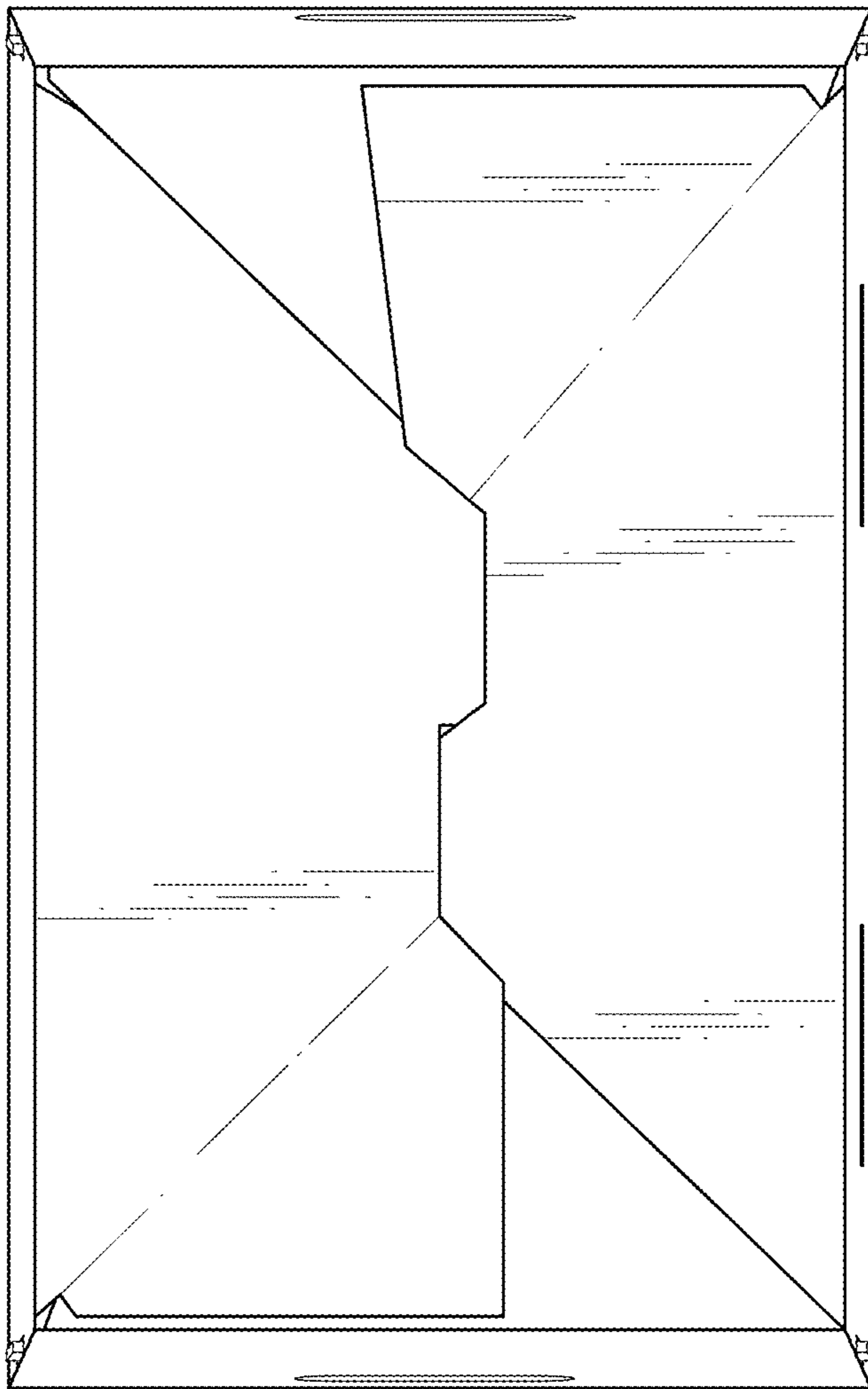


FIG. 3

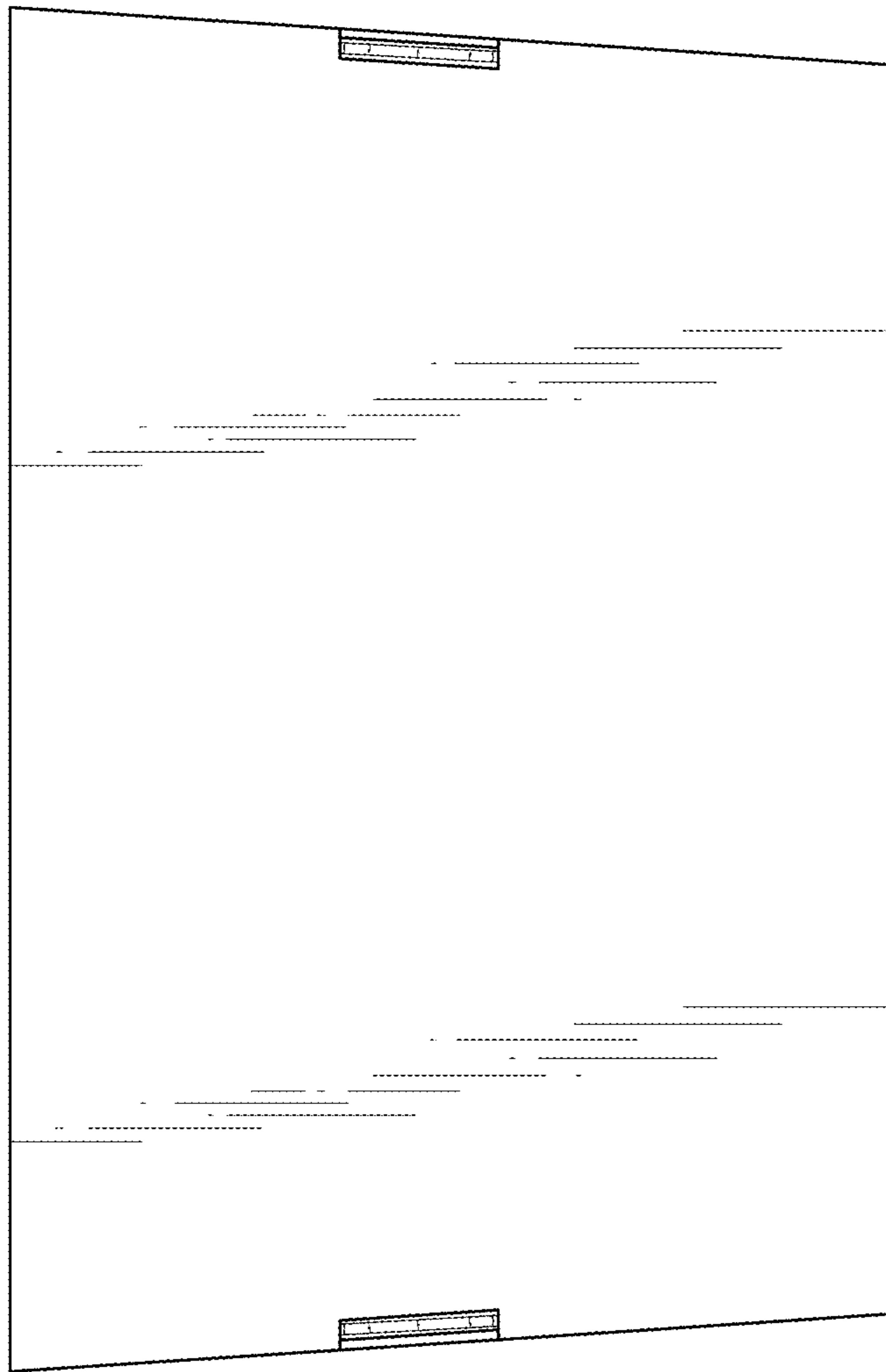


FIG. 4

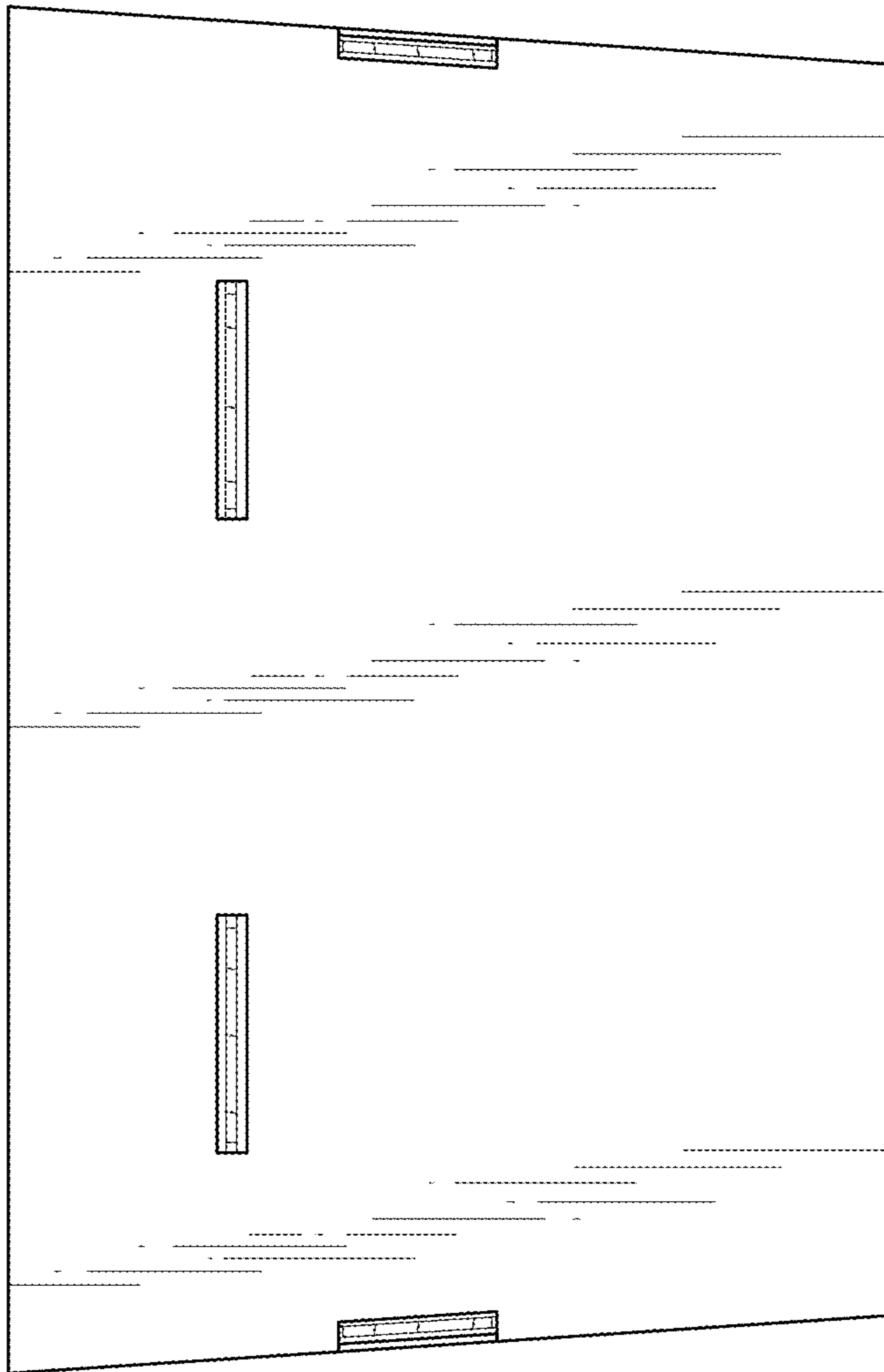


FIG. 5

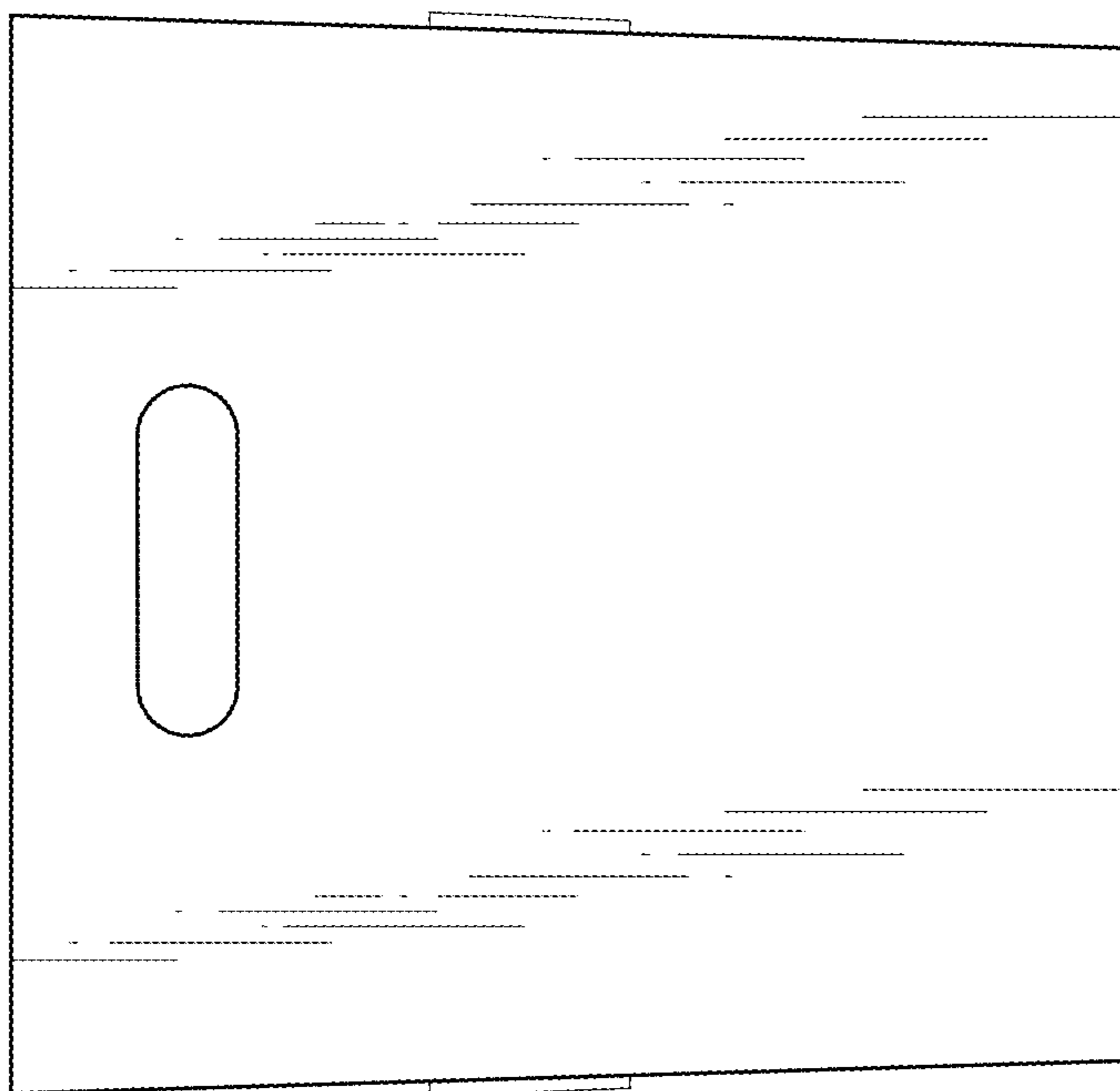


FIG. 6

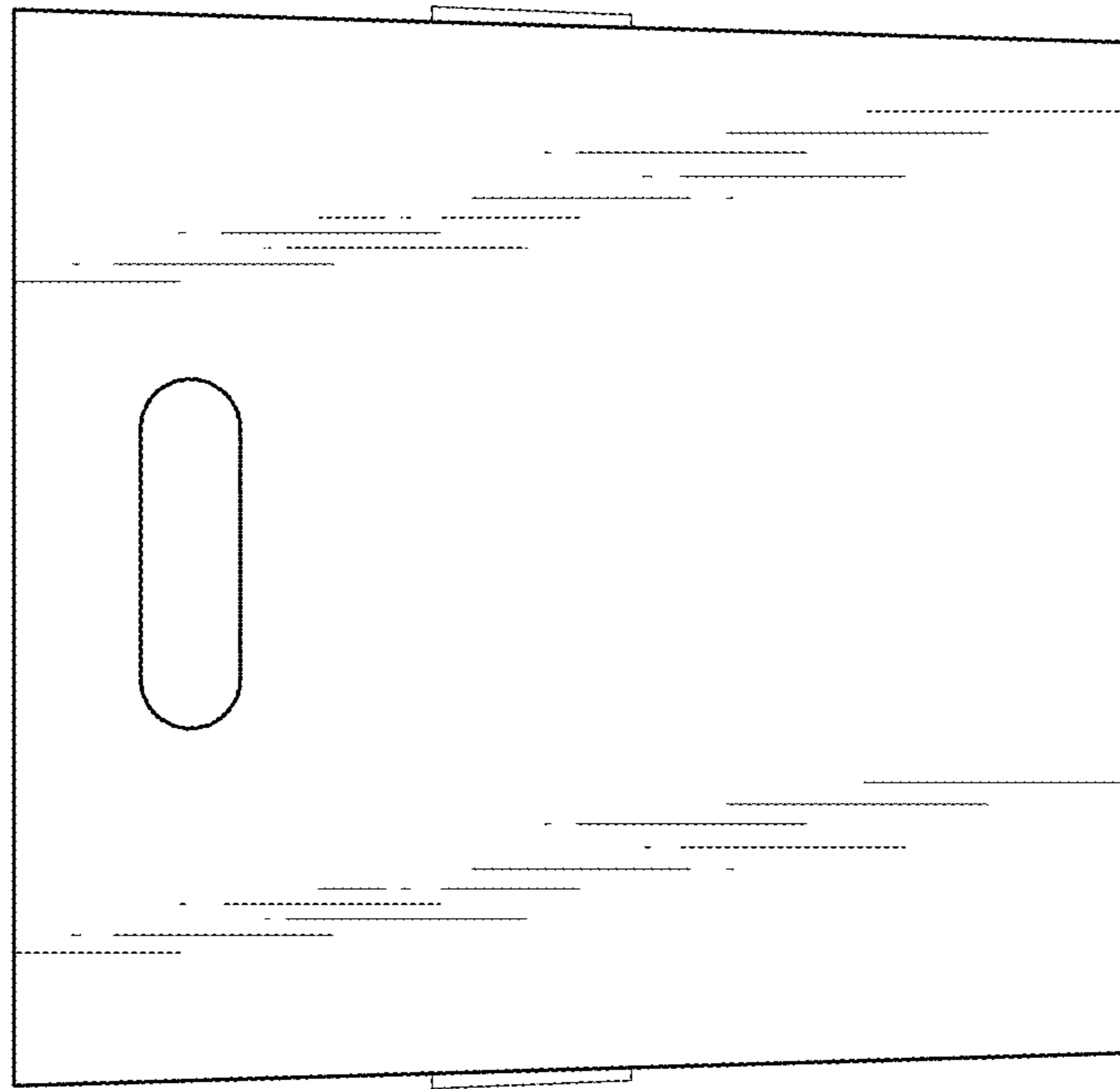


FIG. 7