



US00D808256S

(12) **United States Design Patent**
Muller

(10) **Patent No.:** **US D808,256 S**
(45) **Date of Patent:** **** Jan. 23, 2018**

(54) **HOLDER FOR LOCKS**
(71) Applicant: **ABUS August Bremicker Söhne KG,**
Wetter-Volmarstein (DE)
(72) Inventor: **Thomas Muller,** Bischoffen (DE)
(73) Assignee: **ABUS August Bremicker Söhne KG,**
Wetter-Volmarstein (DE)
(**) Term: **15 Years**

5,538,167 A 7/1996 Winner
5,704,526 A 1/1998 Kuo
D576,406 S * 9/2008 Chan D3/318
D608,190 S * 1/2010 Jimenez D8/395
7,900,419 B2 * 3/2011 Kodi E04C 5/163
52/677
D648,211 S * 11/2011 Weaver D8/396
D660,690 S * 5/2012 Mixides D8/396
D759,474 S * 6/2016 Pittman D8/395
D763,060 S * 8/2016 Rimmel D8/349
D766,711 S * 9/2016 Babbage D8/394
D775,515 S * 1/2017 Jansson D8/356
D796,946 S * 9/2017 Pittman D8/395

(21) Appl. No.: **29/559,078**

* cited by examiner

(22) Filed: **Mar. 24, 2016**

Primary Examiner — Cynthia Underwood

(30) **Foreign Application Priority Data**

(74) *Attorney, Agent, or Firm* — Dinsmore & Shohl LLP

Oct. 6, 2015 (DE) 10 2015 116 982
Oct. 13, 2015 (EM) 002821074

(51) **LOC (11) Cl.** **08-08**

(52) **U.S. Cl.**
USPC **D8/396**

(58) **Field of Classification Search**
USPC D8/396, 394, 382, 349
CPC . H01R 11/11; F16I 23/036; F16L 3/13; E04B
2/74
See application file for complete search history.

(56) **References Cited**

U.S. PATENT DOCUMENTS

577,220 A * 2/1897 Whitehead B25J 1/04
15/144.3
D281,393 S * 11/1985 Karnhag D6/552

(57) **CLAIM**

The ornamental design for holder for locks, as shown and described.

DESCRIPTION

FIG. 1 is an elevational view illustrating a preferred embodiment of the invention;
FIG. 2 is a top view thereof;
FIG. 3 is a front view thereof;
FIG. 4 is a rear view thereof;
FIG. 5 is a bottom view thereof;
FIG. 6 is a left side view thereof; and,
FIG. 7 is a right side view thereof.

1 Claim, 7 Drawing Sheets

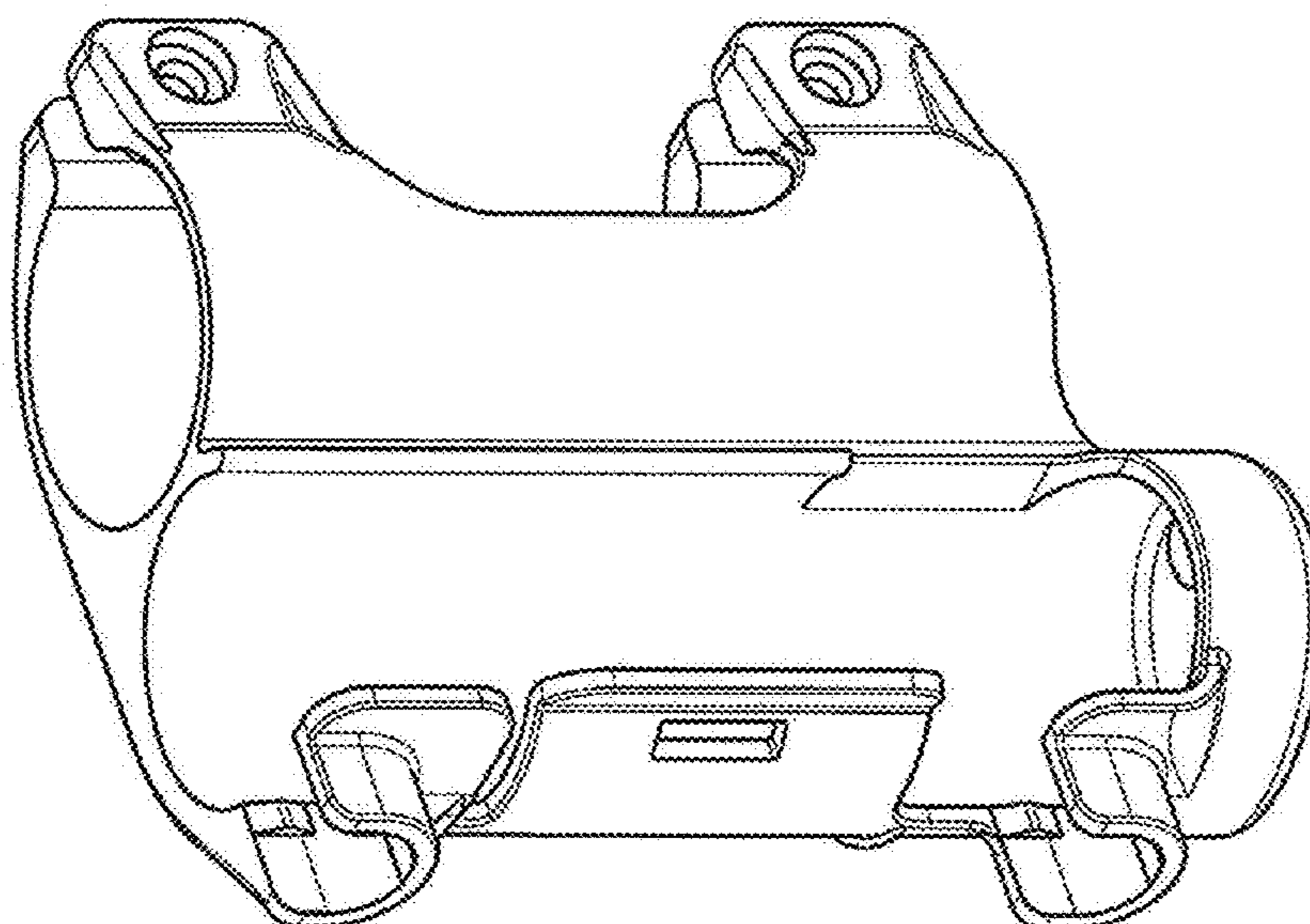


Fig. 1

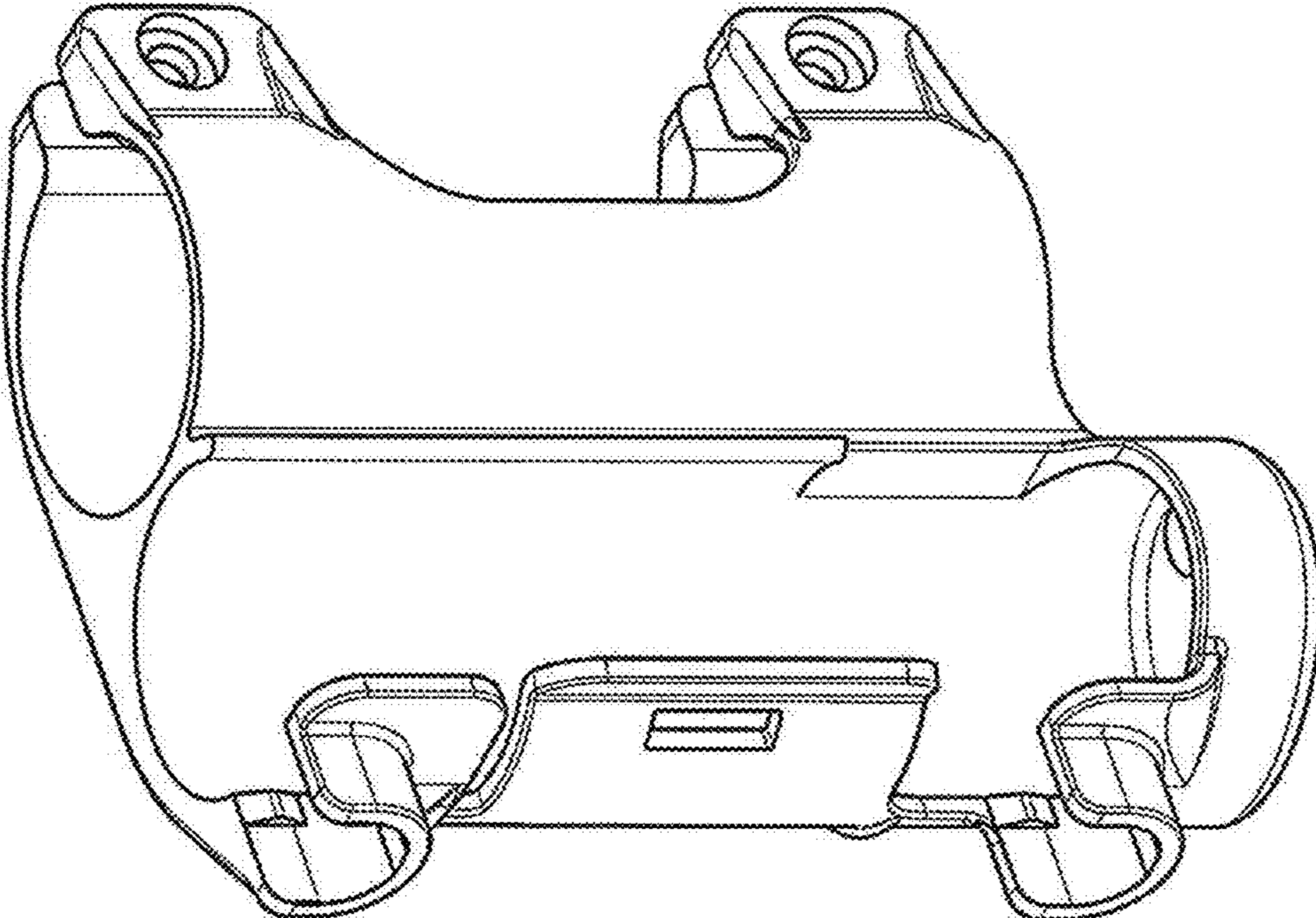


Fig. 2

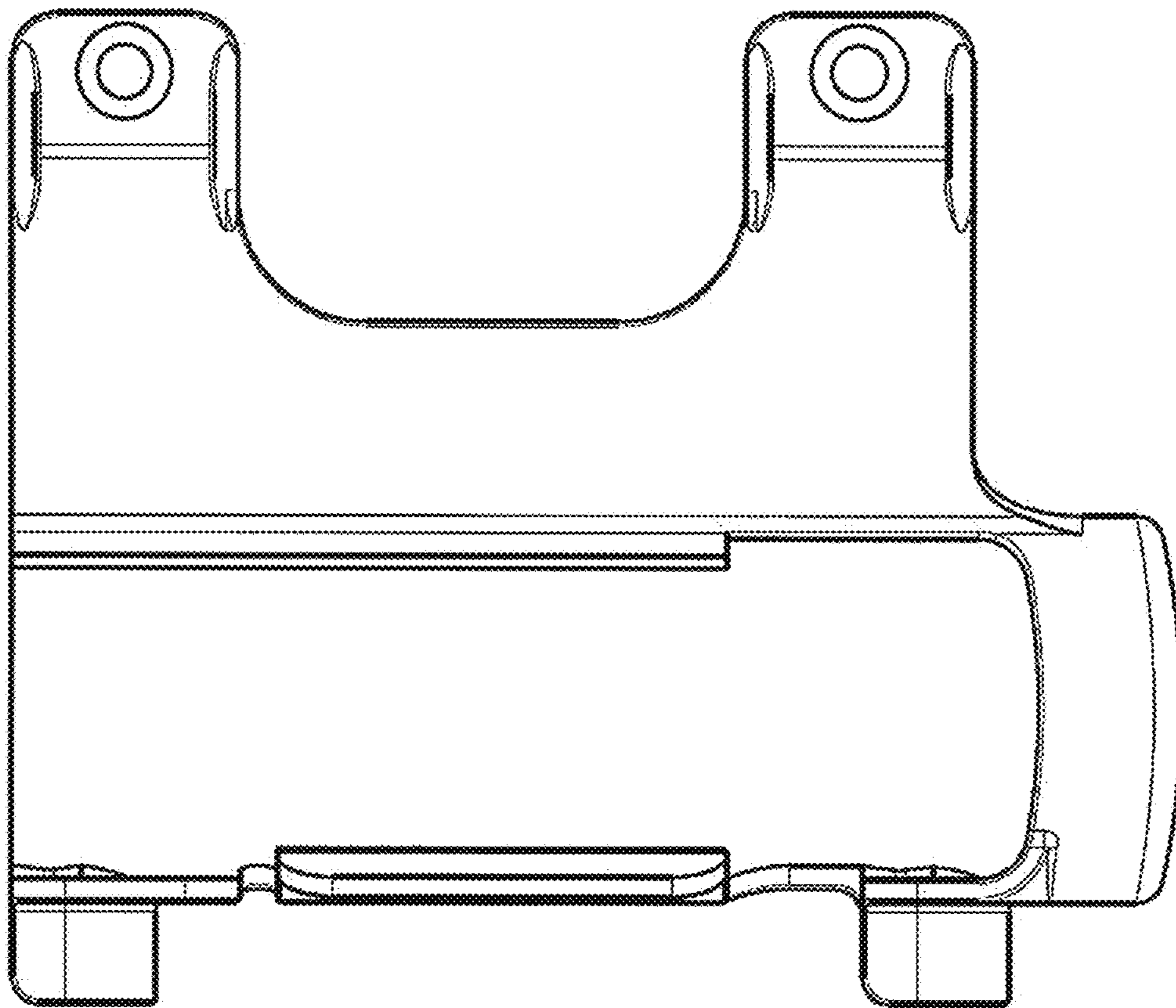


Fig. 3

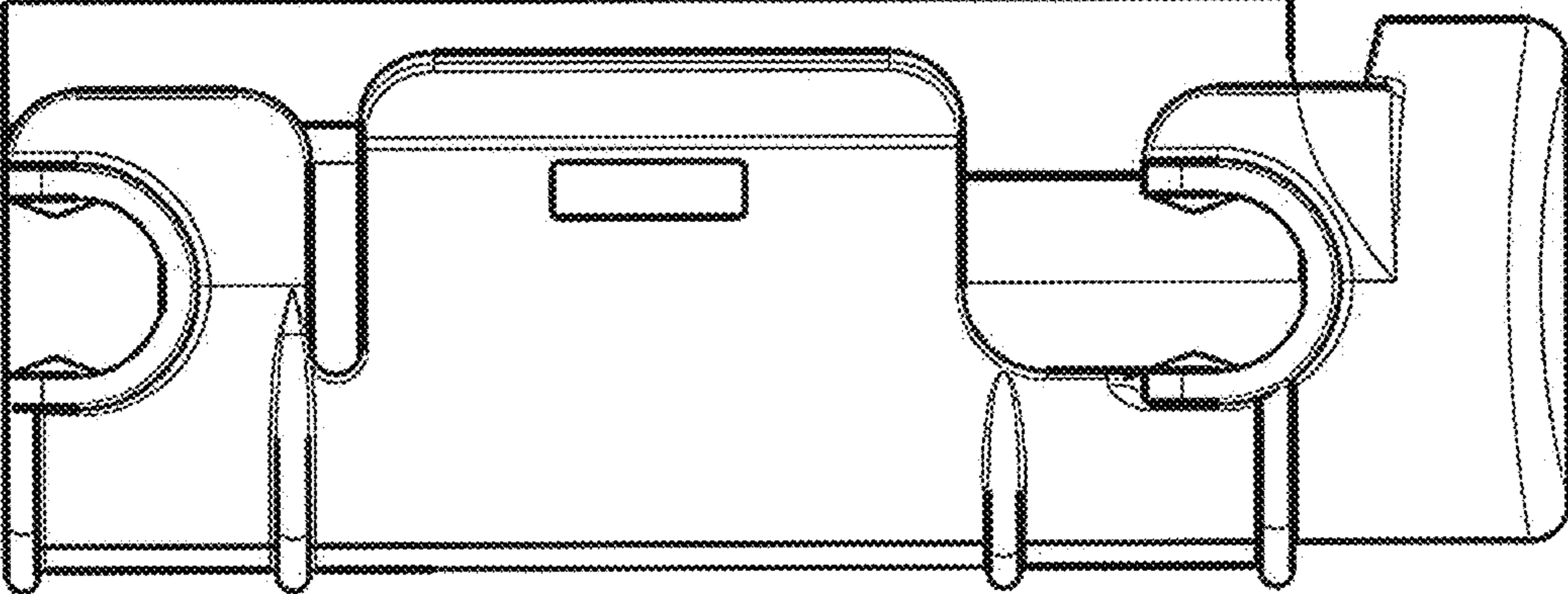


Fig. 4

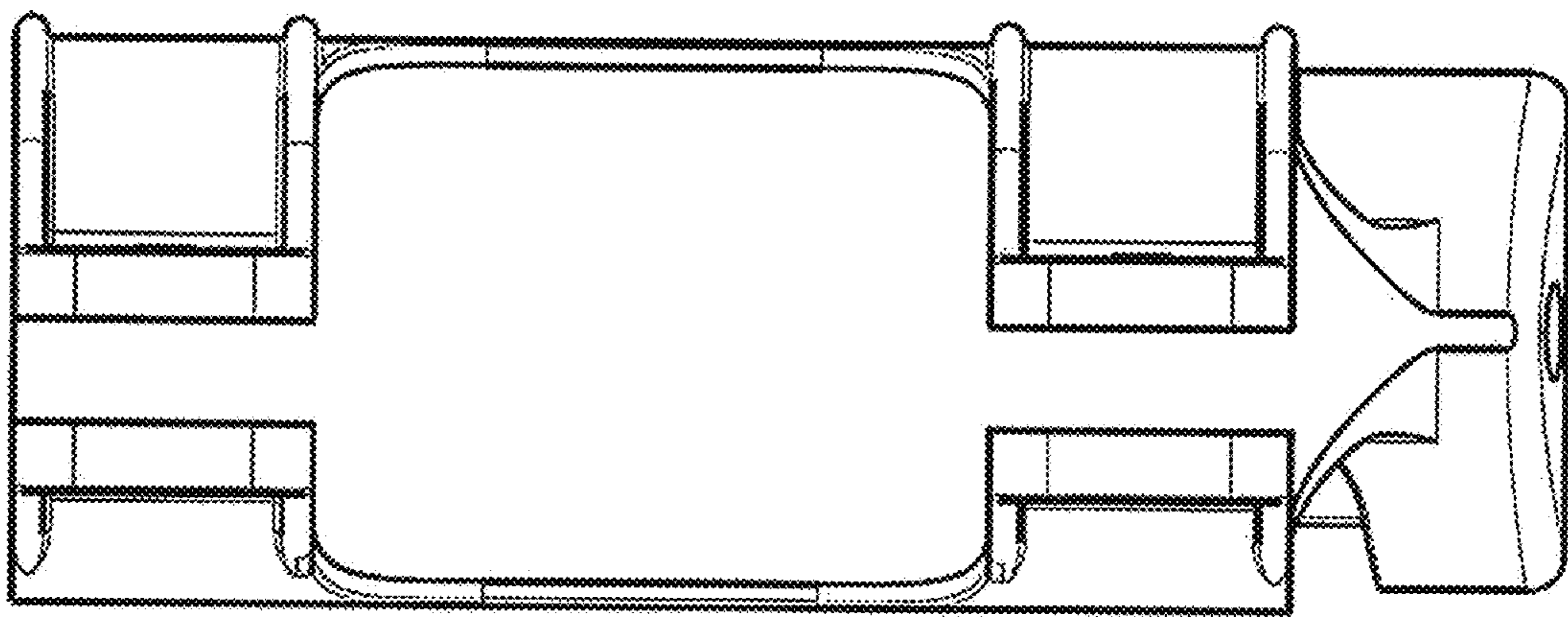


Fig. 5

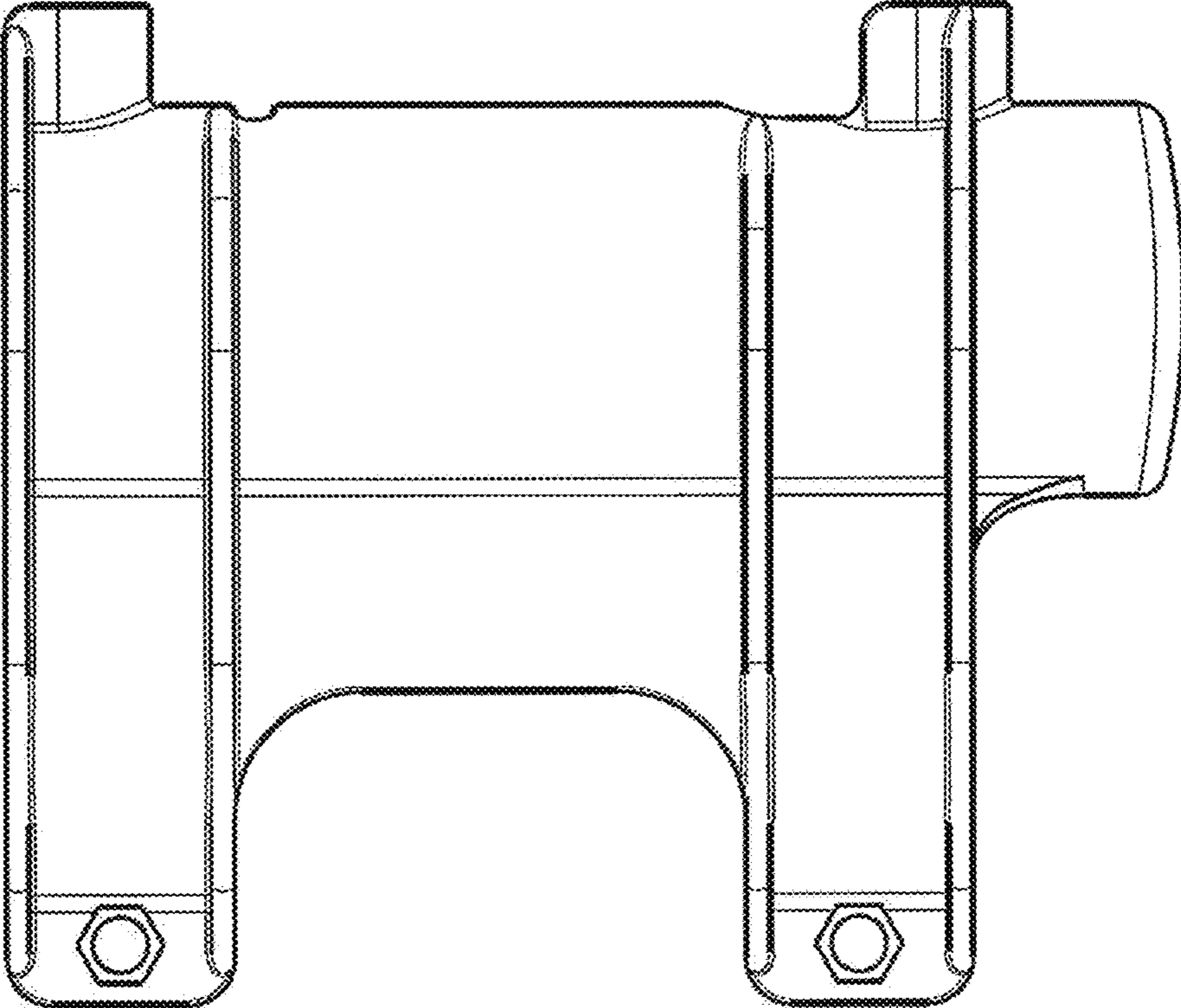


Fig. 6

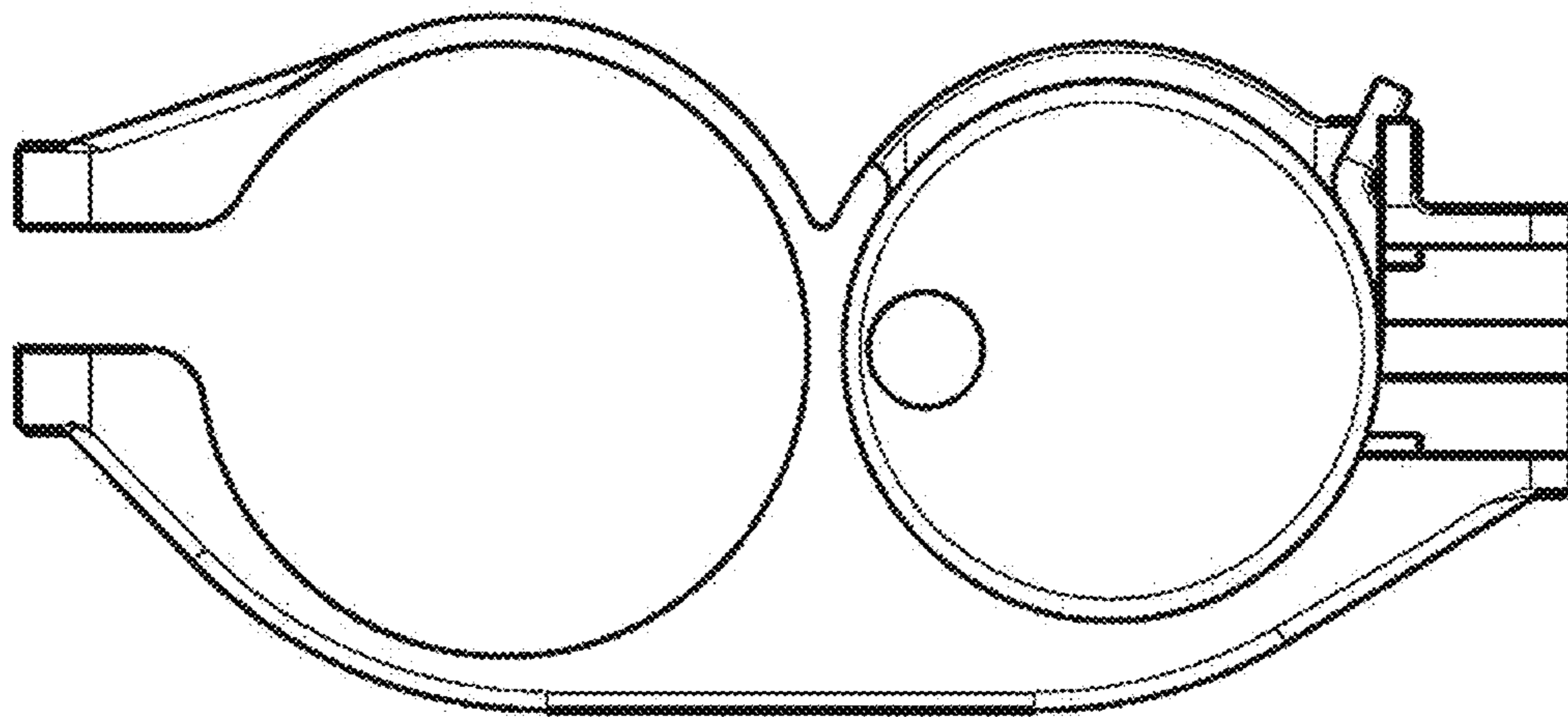


Fig. 7

