



US00D808255S

(12) **United States Design Patent**
Pittman

(10) **Patent No.:** **US D808,255 S**
(45) **Date of Patent:** **** Jan. 23, 2018**

- (54) **HANGER CLIP FOR STAIRWAY SPINDLES AND BALUSTERS**
- (71) Applicant: **Craig Allen Pittman**, Bellevue, WA (US)
- (72) Inventor: **Craig Allen Pittman**, Bellevue, WA (US)
- (**) Term: **15 Years**
- (21) Appl. No.: **29/505,471**
- (22) Filed: **Nov. 16, 2015**
- (51) **LOC (11) Cl.** **08-08**
- (52) **U.S. Cl.**
USPC **D8/396**
- (58) **Field of Classification Search**
USPC D8/72, 349, 352, 356, 382, 394-396;
D32/54

(Continued)

(56) **References Cited**

U.S. PATENT DOCUMENTS

- 3,313,009 A * 4/1967 Beckerer F16L 3/13
248/74.2
- 3,540,687 A * 11/1970 Cuva F21V 19/0005
248/223.41

(Continued)

Primary Examiner — Melanie H Tung
Assistant Examiner — Bao-Yen Nguyen

(57) **CLAIM**

An ornamental design for a hanger clip for stairway spindles and balusters, as shown and described.

DESCRIPTION

FIG. 1 is a front right perspective view of the hanger clip for stairways spindles & balusters.

FIG. 2 is a back right perspective, bottom view of the hanger clip for the stairway spindles and balusters, as disclosed in FIG. 1;

FIG. 3 is a top view of the hanger clip for stairway spindles and balusters, as disclosed in FIG. 1;

FIG. 4 is a left side view of the hanger clip for stairway spindles and balusters, as disclosed in FIG. 1;

FIG. 5 is a front view of the hanger clip for stairway spindles and balusters, as disclosed in FIG. 1;

FIG. 6 is a right side view of the hanger clip for stairway spindles and balusters, as disclosed in FIG. 1;

FIG. 7 is a bottom view of the hanger clip for stairway spindles and balusters, as disclosed in FIG. 1;

FIG. 8 is a back or rear view of the hanger clip for stairway spindles and balusters, as disclosed in FIG. 1;

FIG. 9 is a top view illustrating a second embodiment of the hanger clip for stairway spindles and balusters;

FIG. 10 is a perspective view of the second embodiment of the hanger clip for stairway spindles and balusters, as disclosed in FIG. 9;

FIG. 11 is a top view illustrating a third embodiment of the hanger clip for stairway spindles and balusters;

FIG. 12 is a perspective view of the third embodiment of the hanger clip for stairway spindles and balusters;

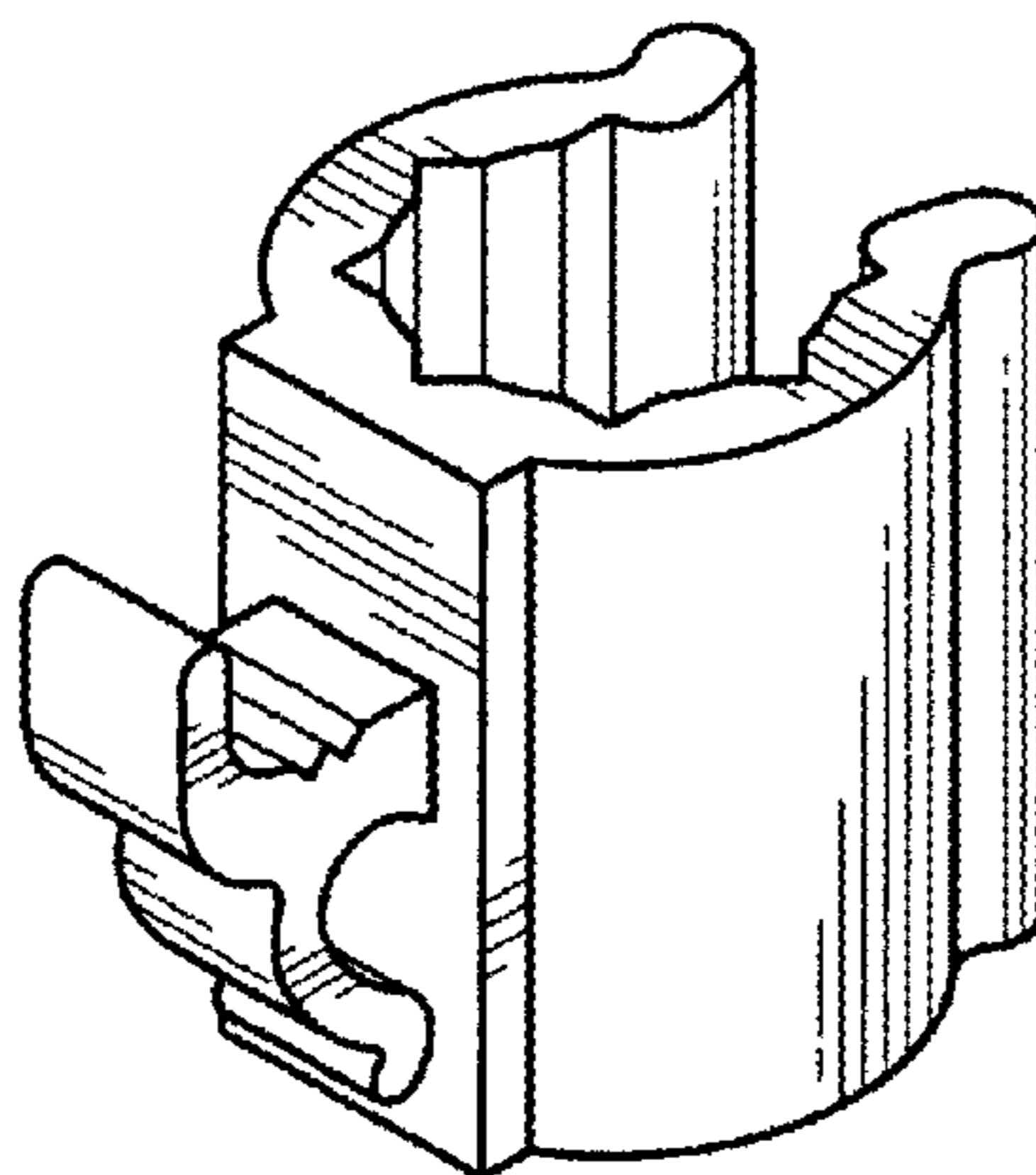
FIG. 13 is a bottom view, front left perspective of the hanger clip for stairway spindles and balusters, as disclosed in FIG. 1;

FIG. 14 is a perspective view of the hanger clip for stairway spindles and balusters, as disclosed in FIG. 1; shown illustrated on an unclaimed square spindle or baluster; and,

FIG. 15 is a perspective view of the hanger clip for stairway spindles and balusters, as disclosed in FIG. 1; shown illustrated on an unclaimed circular spindle or baluster.

My new design for a "hanger clip" for stairway spindles & balusters is designed to allow stairway spindles & balusters to be decorated, highlighted or showcased in addition to the railings & bannisters. Instead of having to use nails, glue, tape, twine or cable ties to attach or hold greeting cards, holiday stockings, lighting, and other seasonal decorations to the spindles or balusters, my design allows for a quick attachment & detachment on circular, square or diamond shaped spindles or balusters at any height or placement. Event and Wedding planners could also use these "hanger clips" for their temporary decorations at churches, homes or

(Continued)



US D808,255 S

Page 2

halls were events are hosted and no permanent trace or damage can be left behind at the conclusion of the event or party. It can be used on stairway spindles & balusters, chairs, pipes, or similarly shaped structures in either interior or exterior applications.

1 Claim, 4 Drawing Sheets

(58) Field of Classification Search

CPC F16L 3/00; F16L 3/12; F16L 3/13; A47B 91/02

See application file for complete search history.

(56) References Cited

U.S. PATENT DOCUMENTS

D224,085 S * 7/1972 Cuva D13/132
D227,742 S * 7/1973 Logsdon D8/354
D248,347 S * 7/1978 McCollum D22/147

D295,723 S * 5/1988 Shioda D8/380
D299,213 S * 1/1989 Puntillo D8/395
5,160,105 A * 11/1992 Miller A47B 91/04
248/188.9
5,498,088 A 3/1996 Choate
D375,453 S * 11/1996 Fleck D8/395
5,857,658 A 1/1999 Niemiec
D438,453 S * 3/2001 Nelson D8/395
6,237,888 B1 5/2001 Coll
6,557,806 B2 5/2003 Davies
6,581,896 B1 6/2003 Olexovitch
D476,569 S * 7/2003 Simkins D9/455
6,715,725 B2 4/2004 Chipka
6,898,893 B1 5/2005 Mukdaprakorn
6,971,381 B2 * 12/2005 Langford A61M 15/009
128/200.23
7,448,590 B1 11/2008 Holton
7,740,216 B1 6/2010 Puckett et al.
D622,469 S * 8/2010 Nacey D32/54
8,336,837 B2 12/2012 Gephart et al.
D720,612 S * 1/2015 Gilbert D8/394
D766,711 S * 9/2016 Babbage D8/394
D784,118 S * 4/2017 Reddy D8/356

* cited by examiner

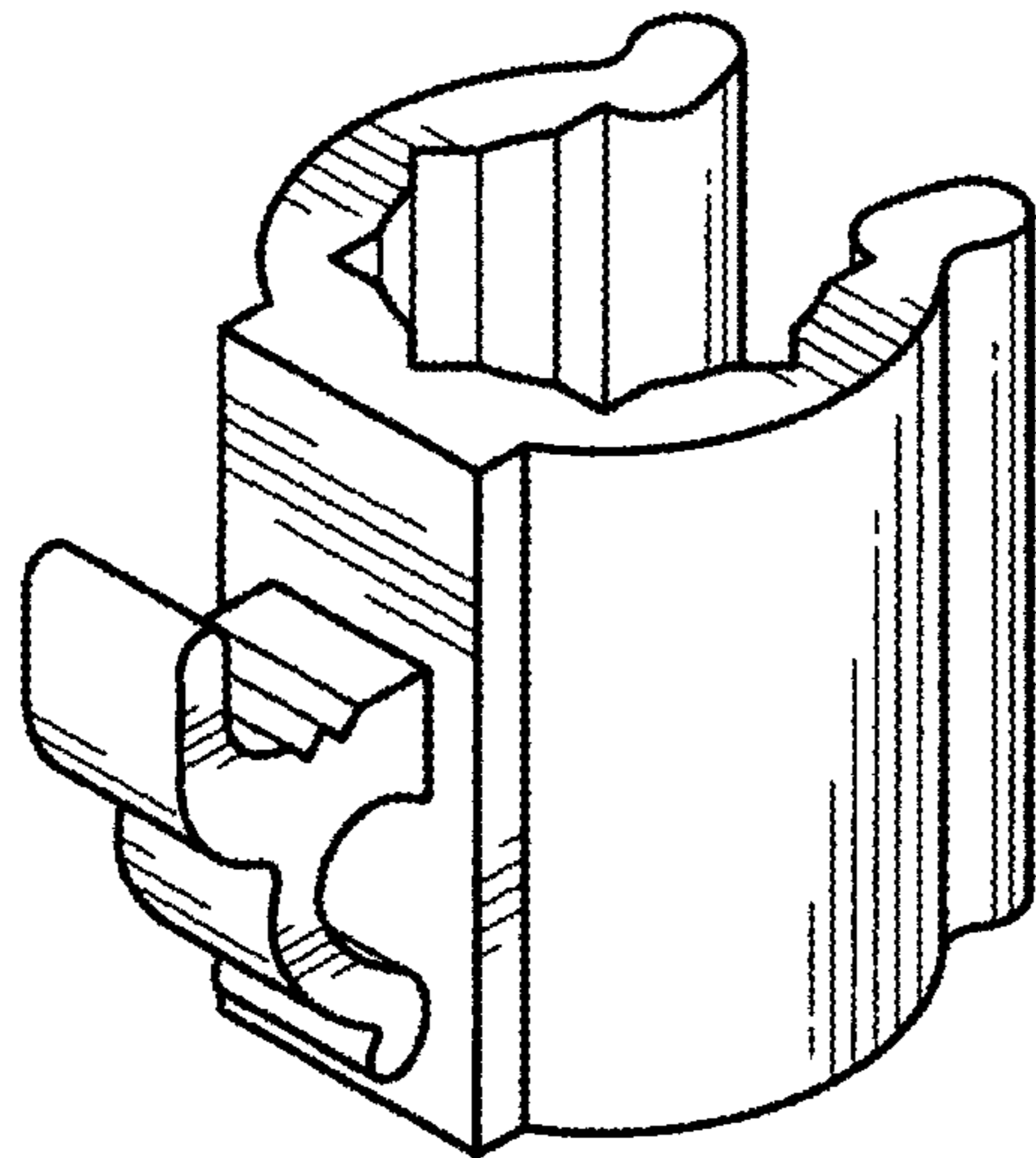


FIG. 1

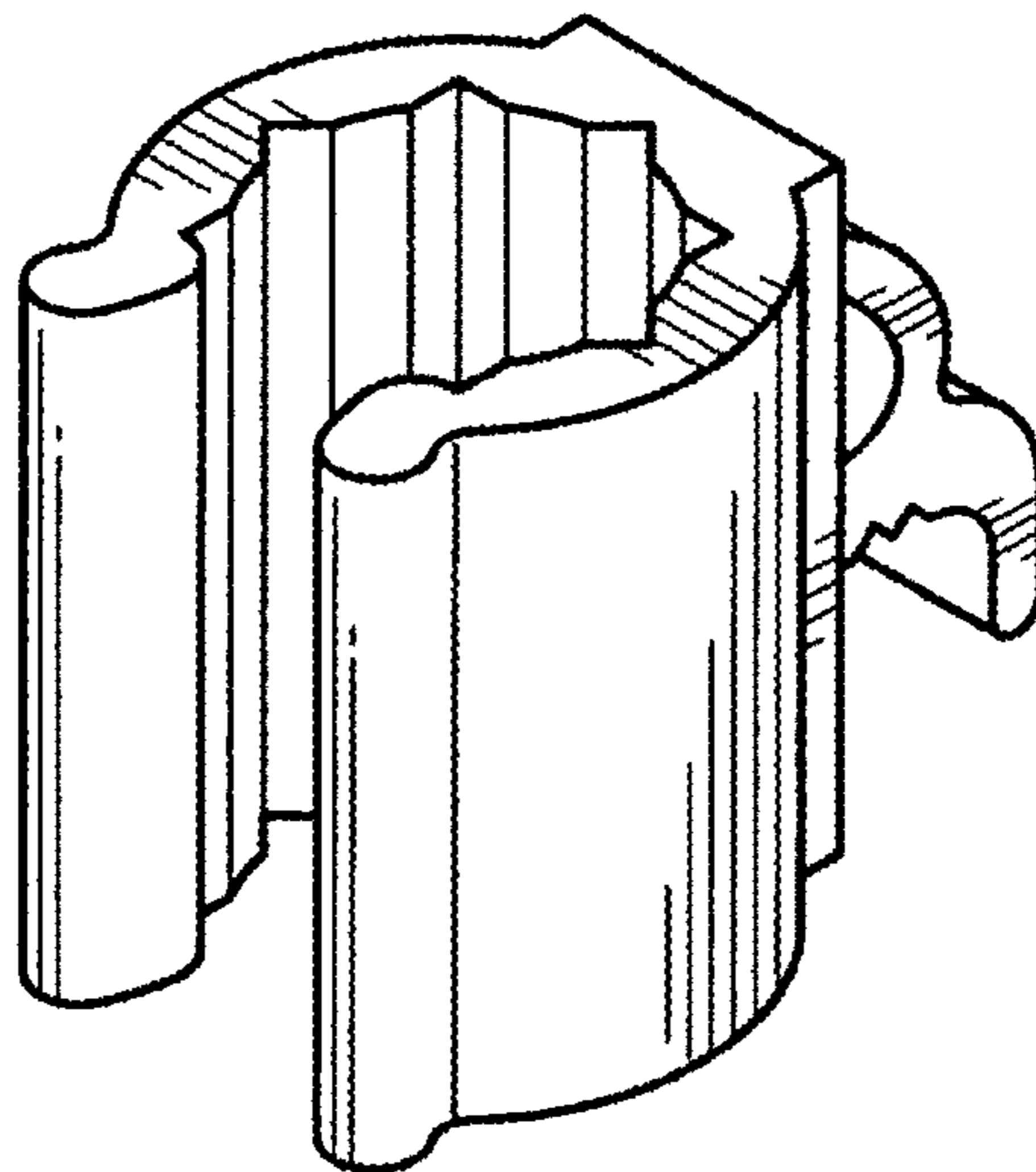


FIG. 2

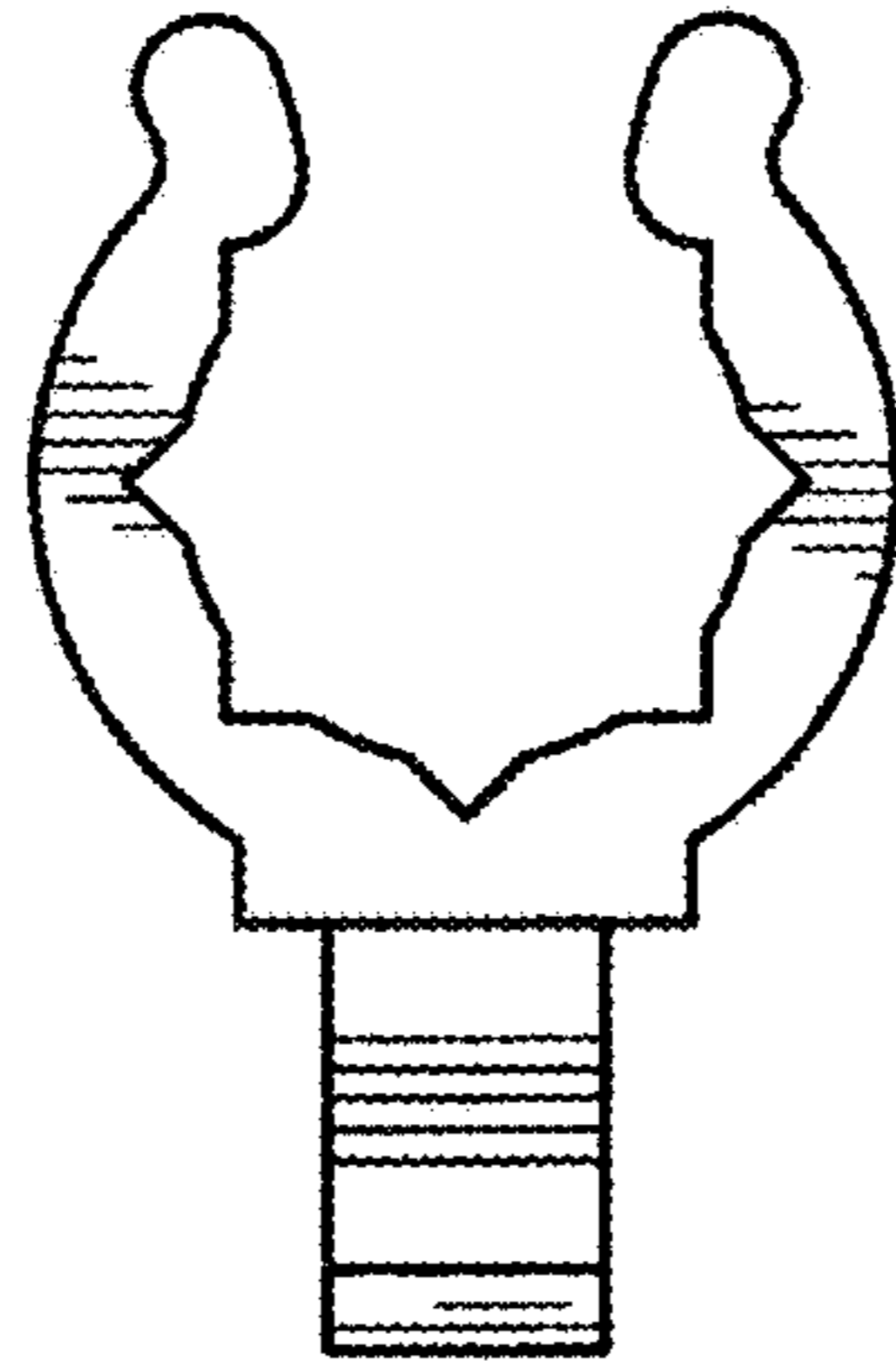


FIG. 3

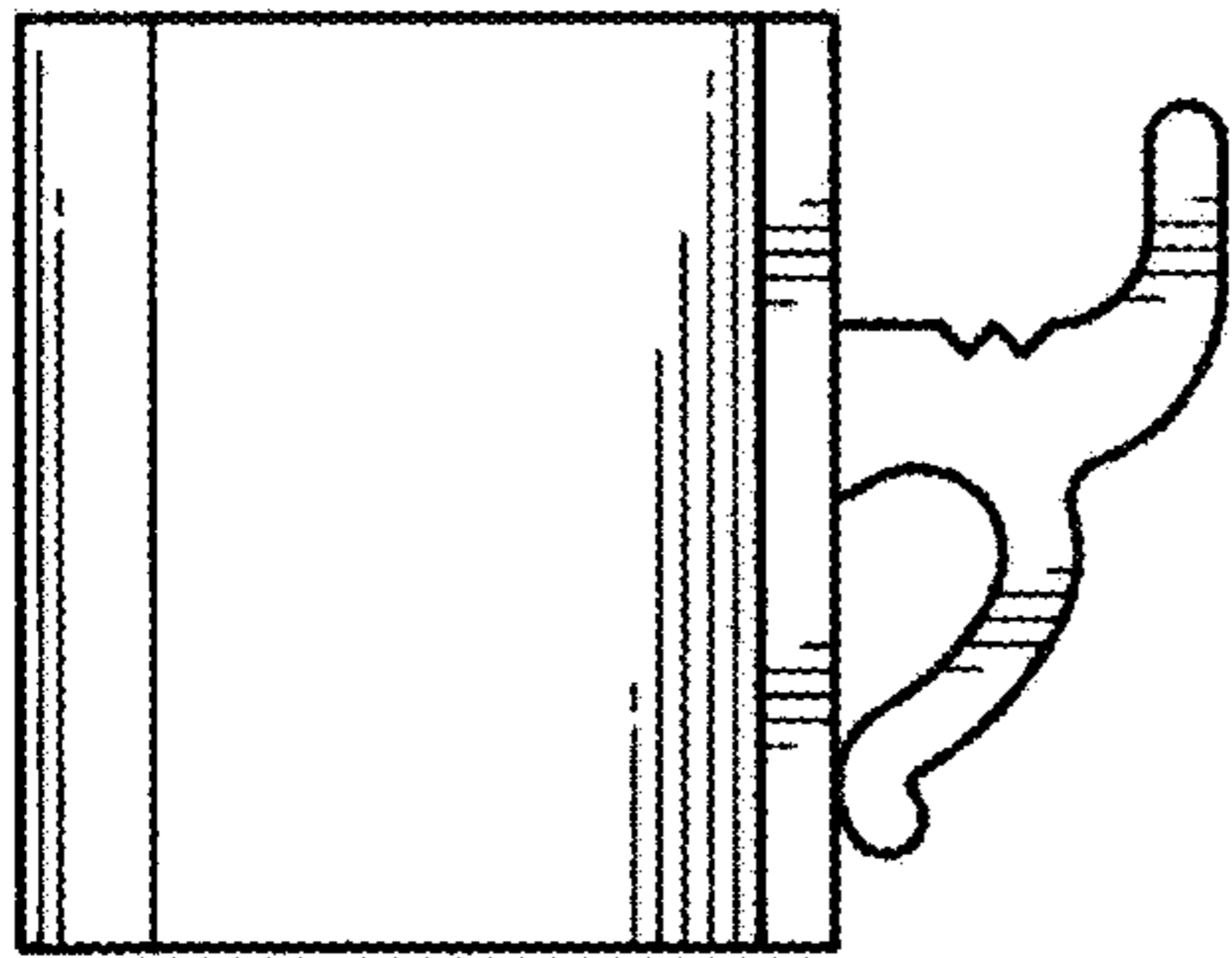


FIG. 4

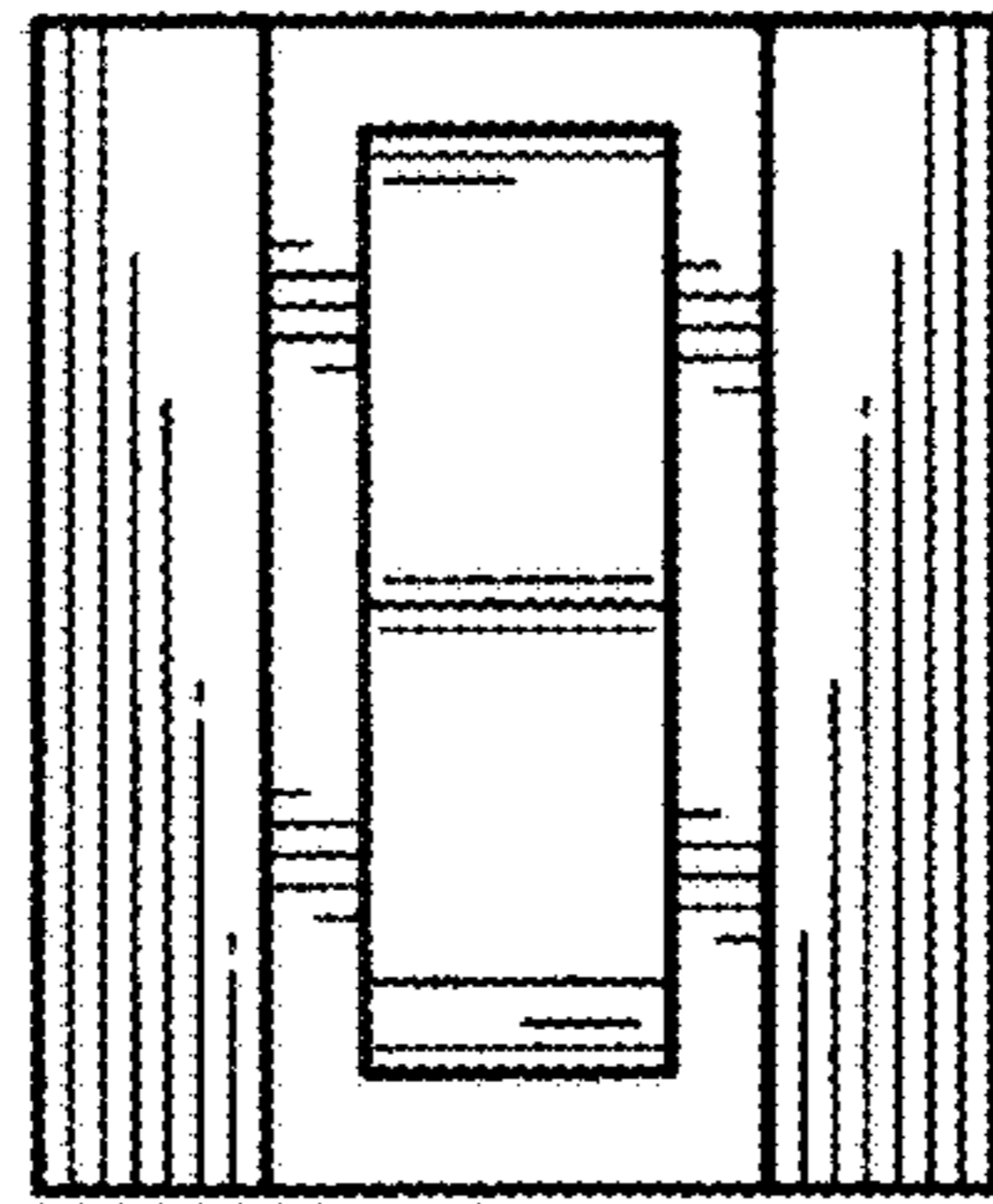


FIG. 5

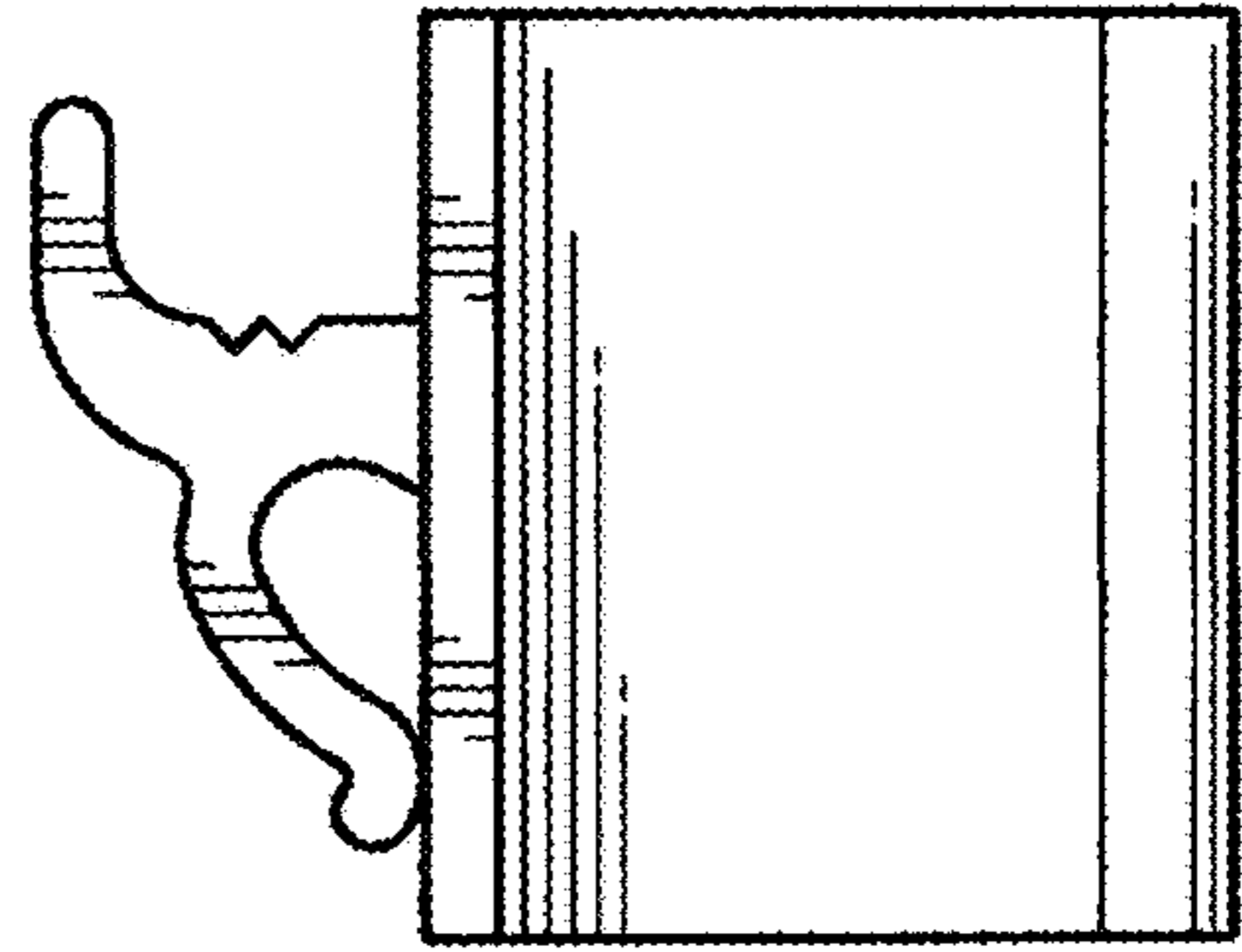


FIG. 6

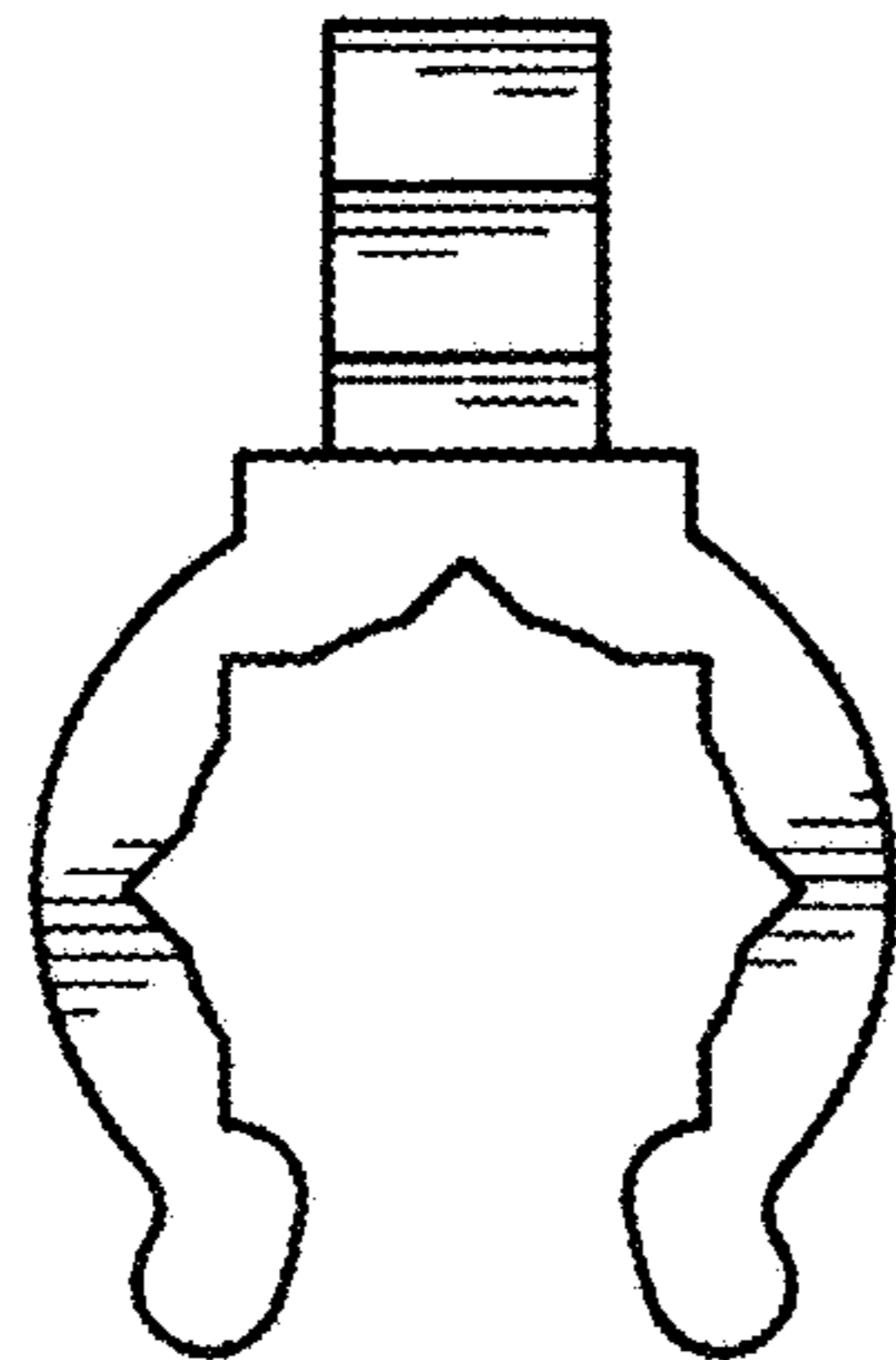


FIG. 7

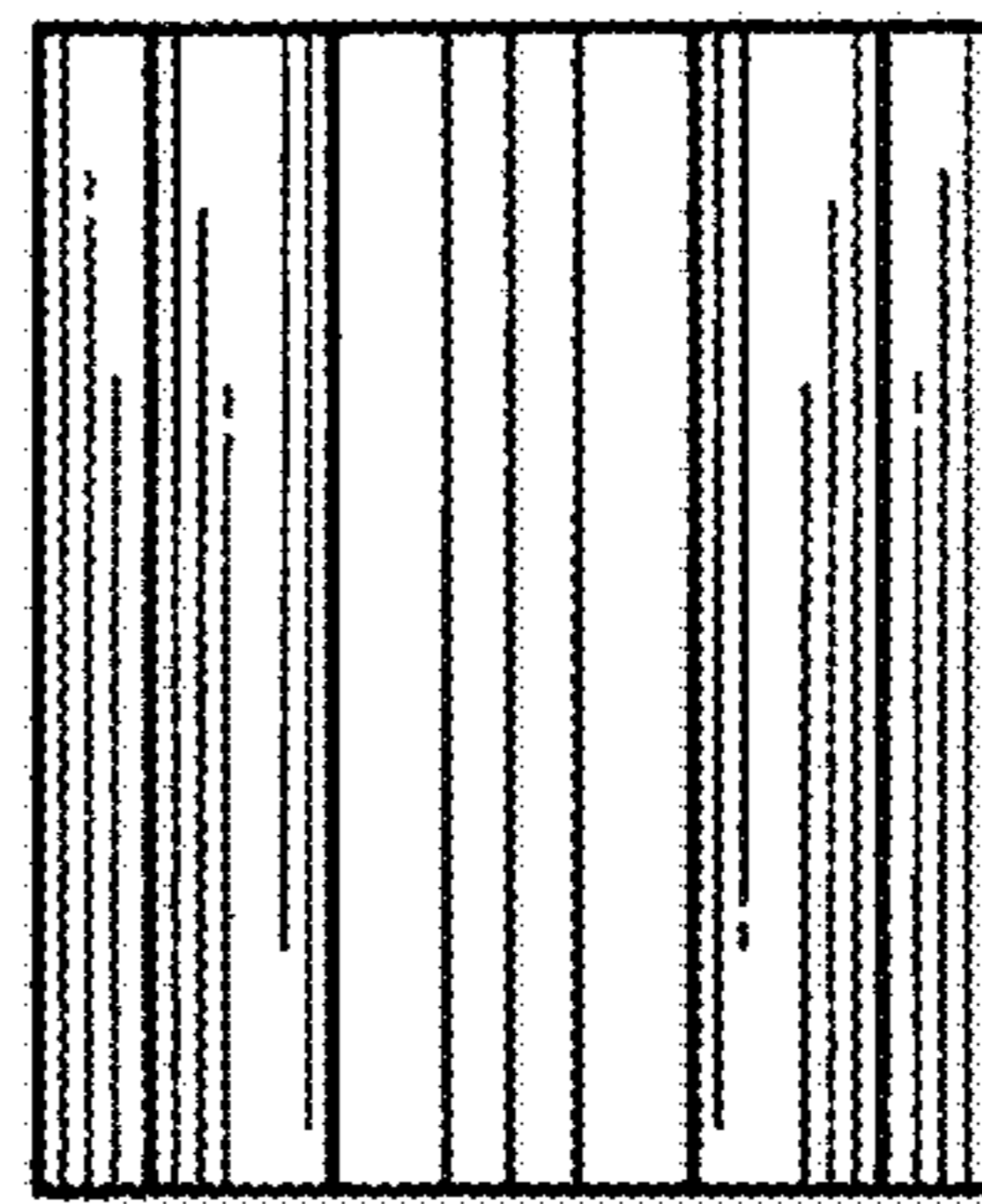


FIG. 8

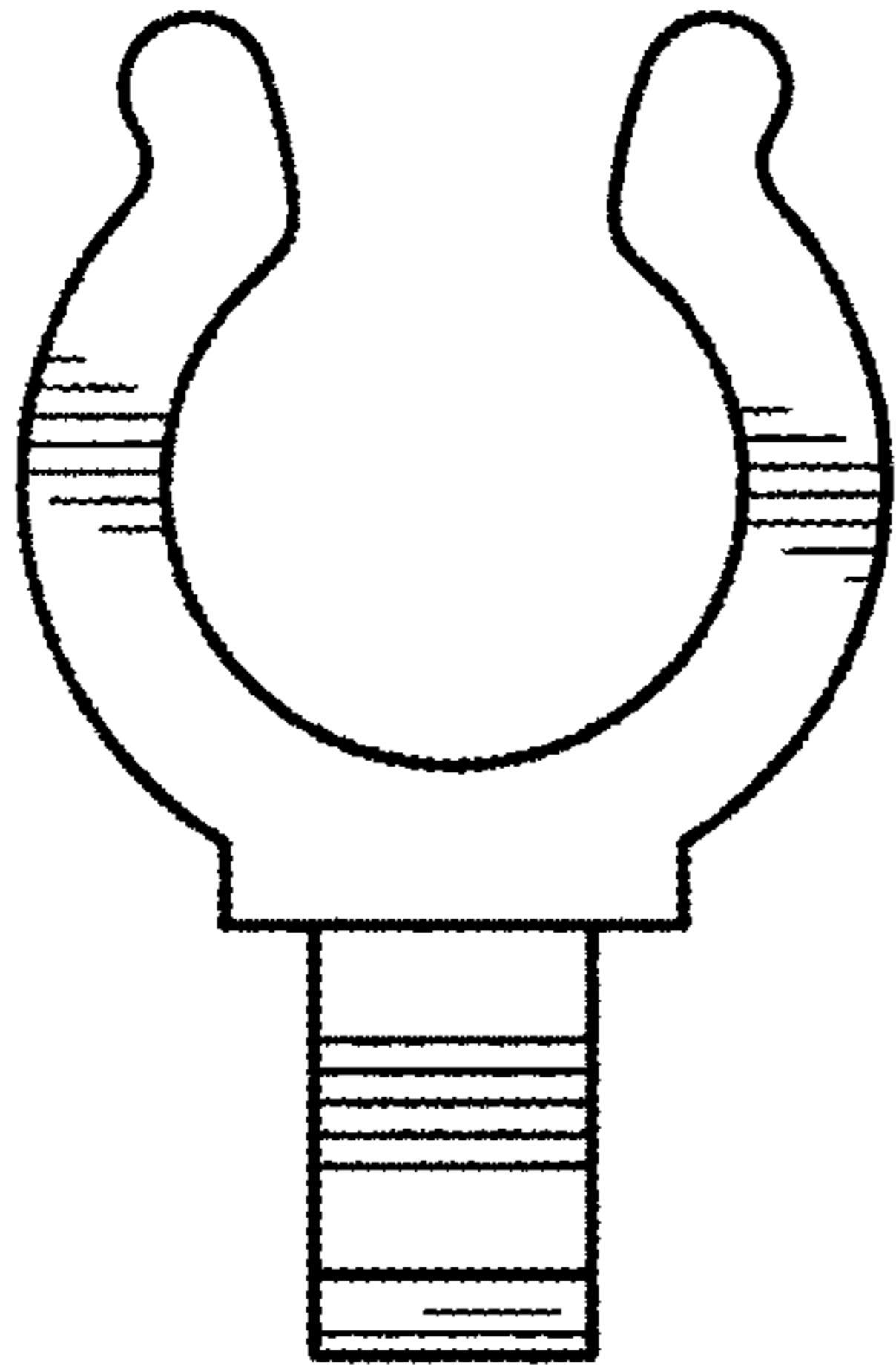


FIG. 9

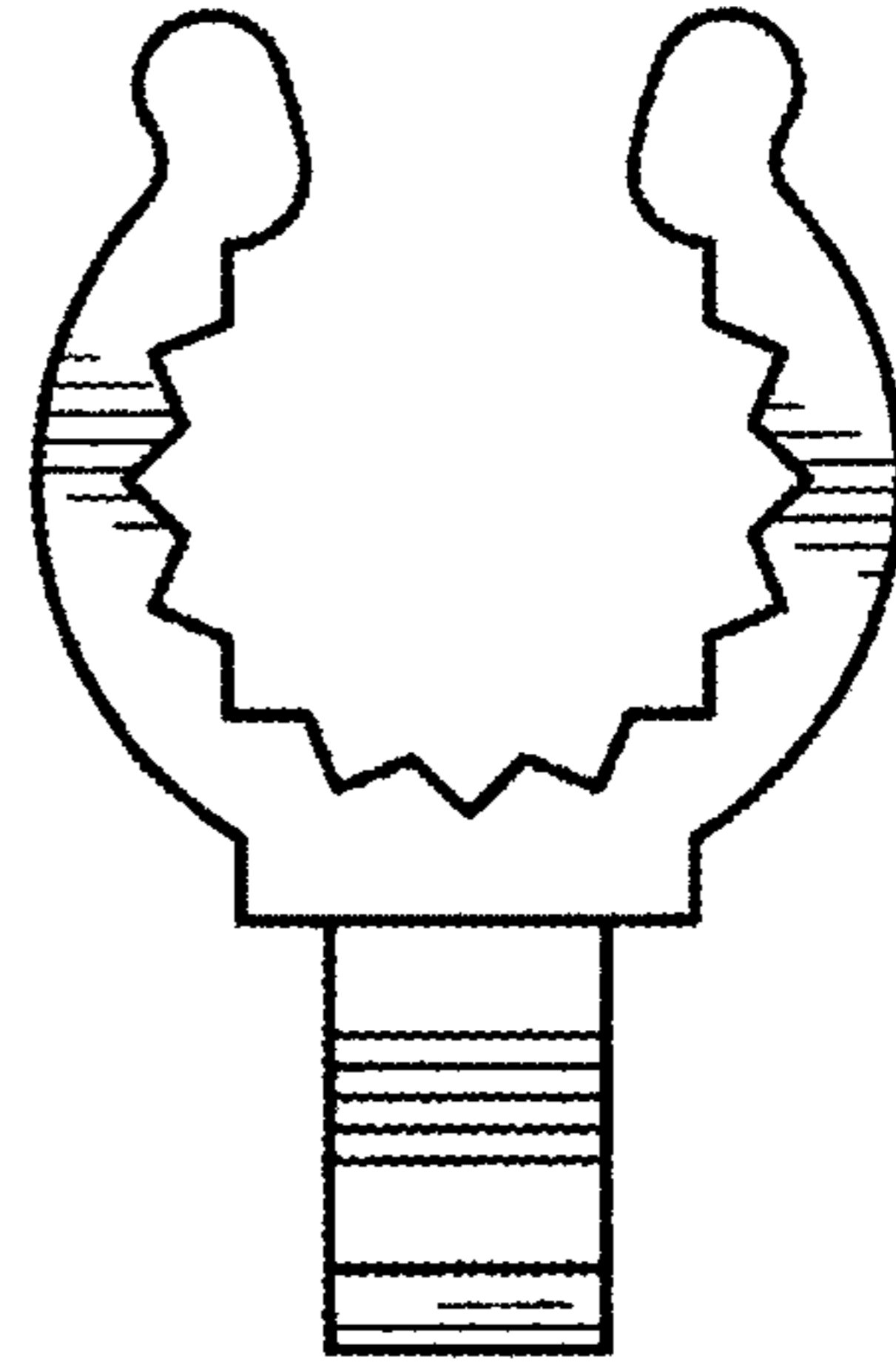


FIG. 11

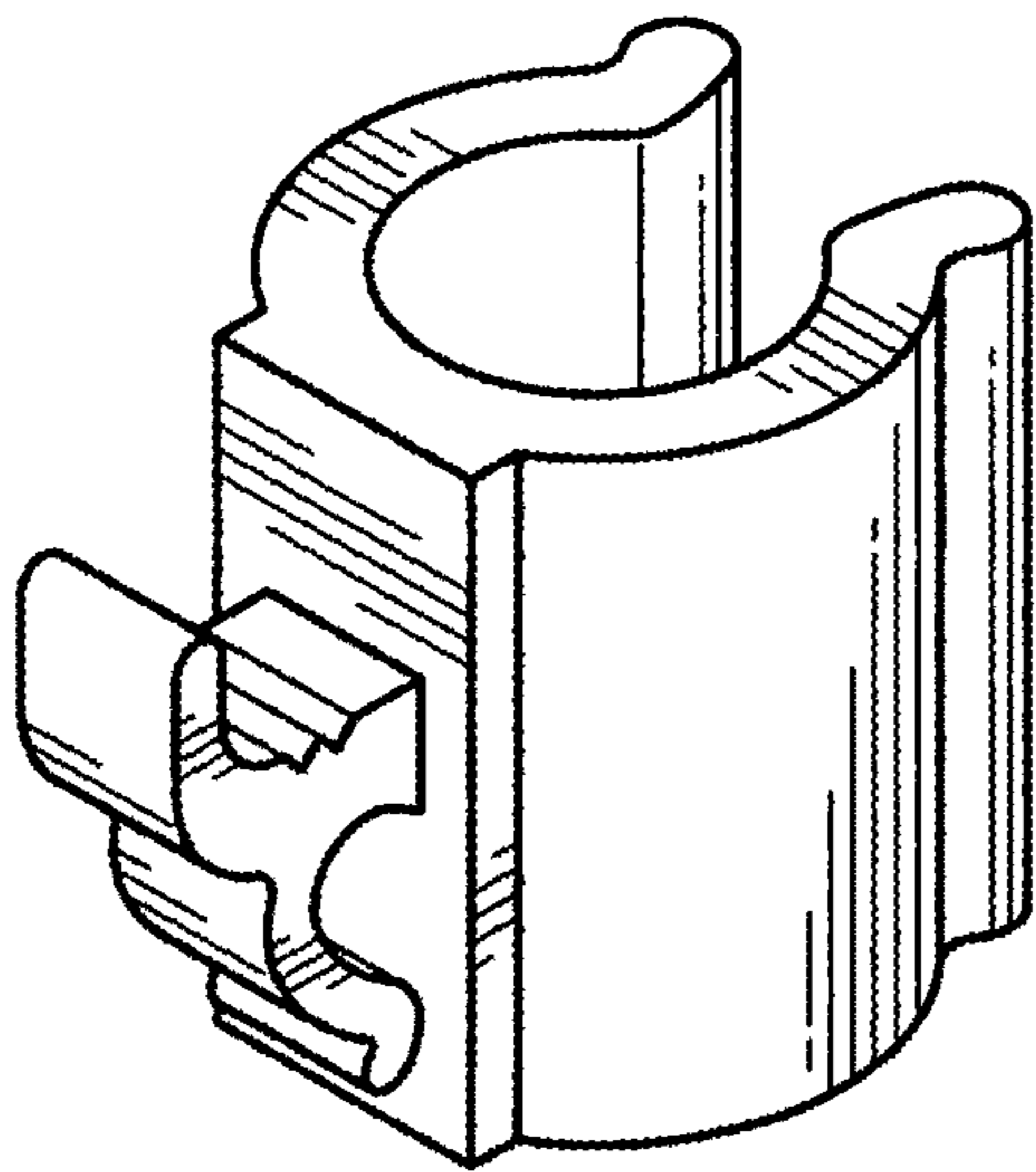


FIG. 10

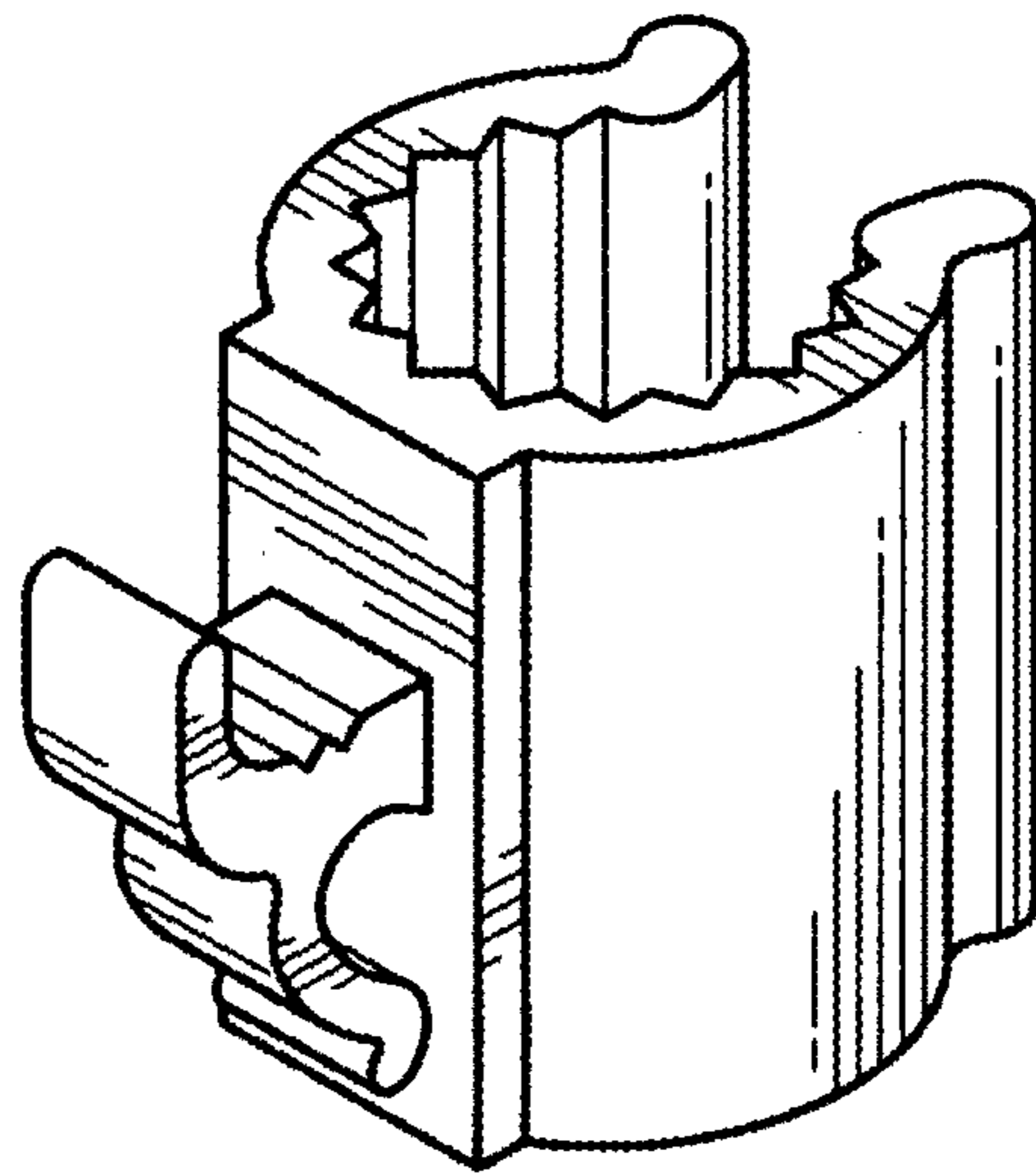


FIG. 12

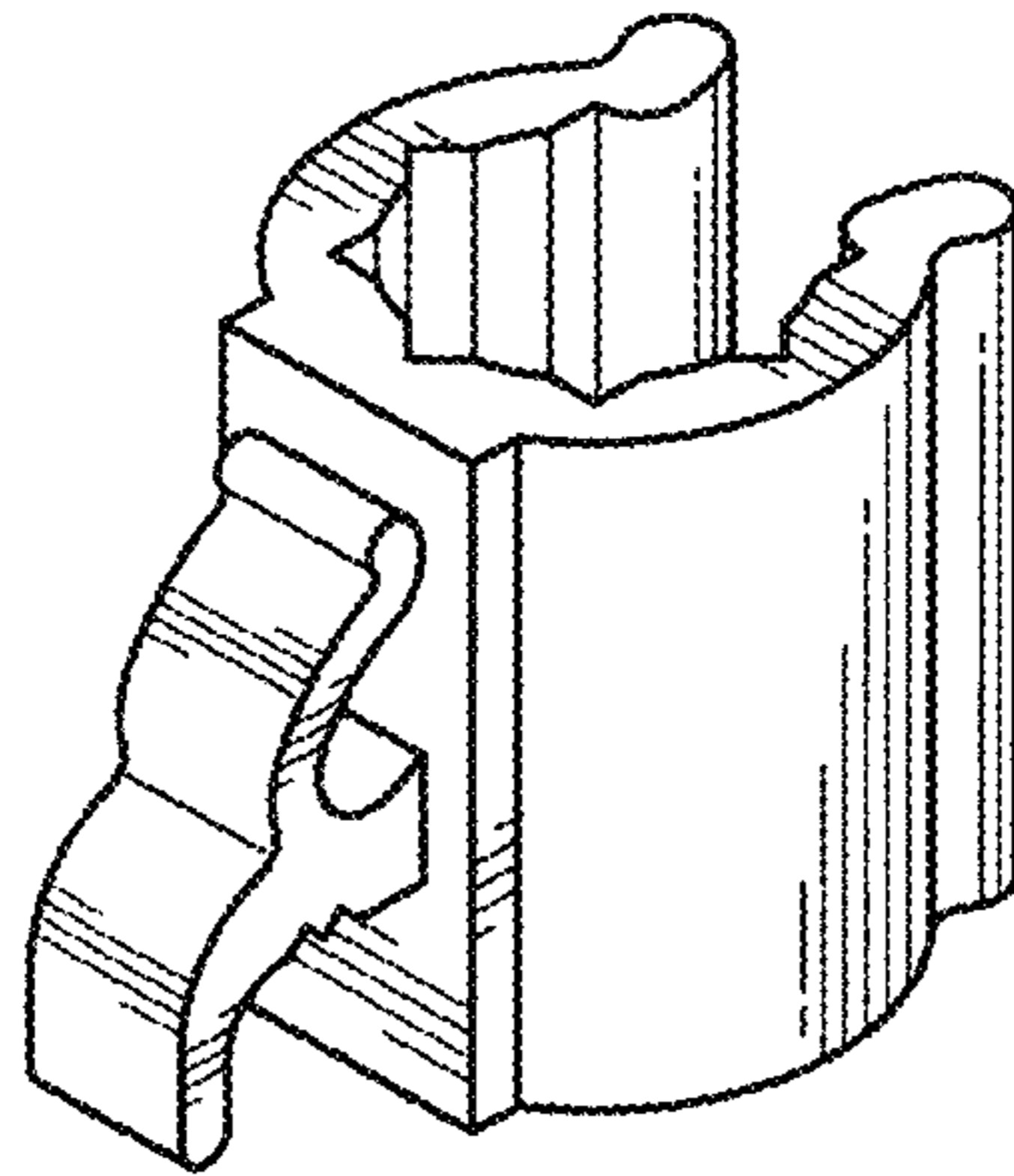


FIG. 13

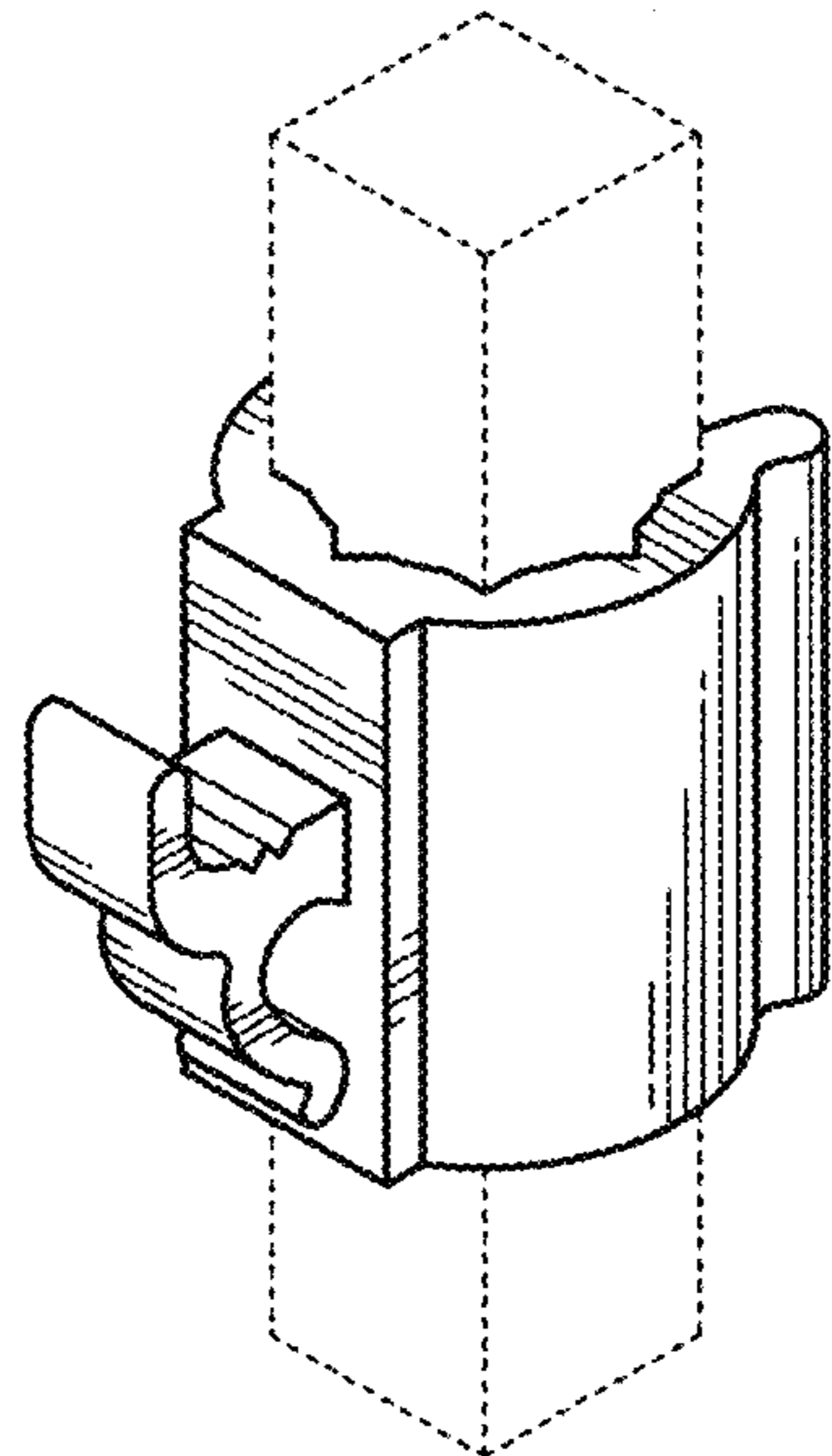


FIG. 14

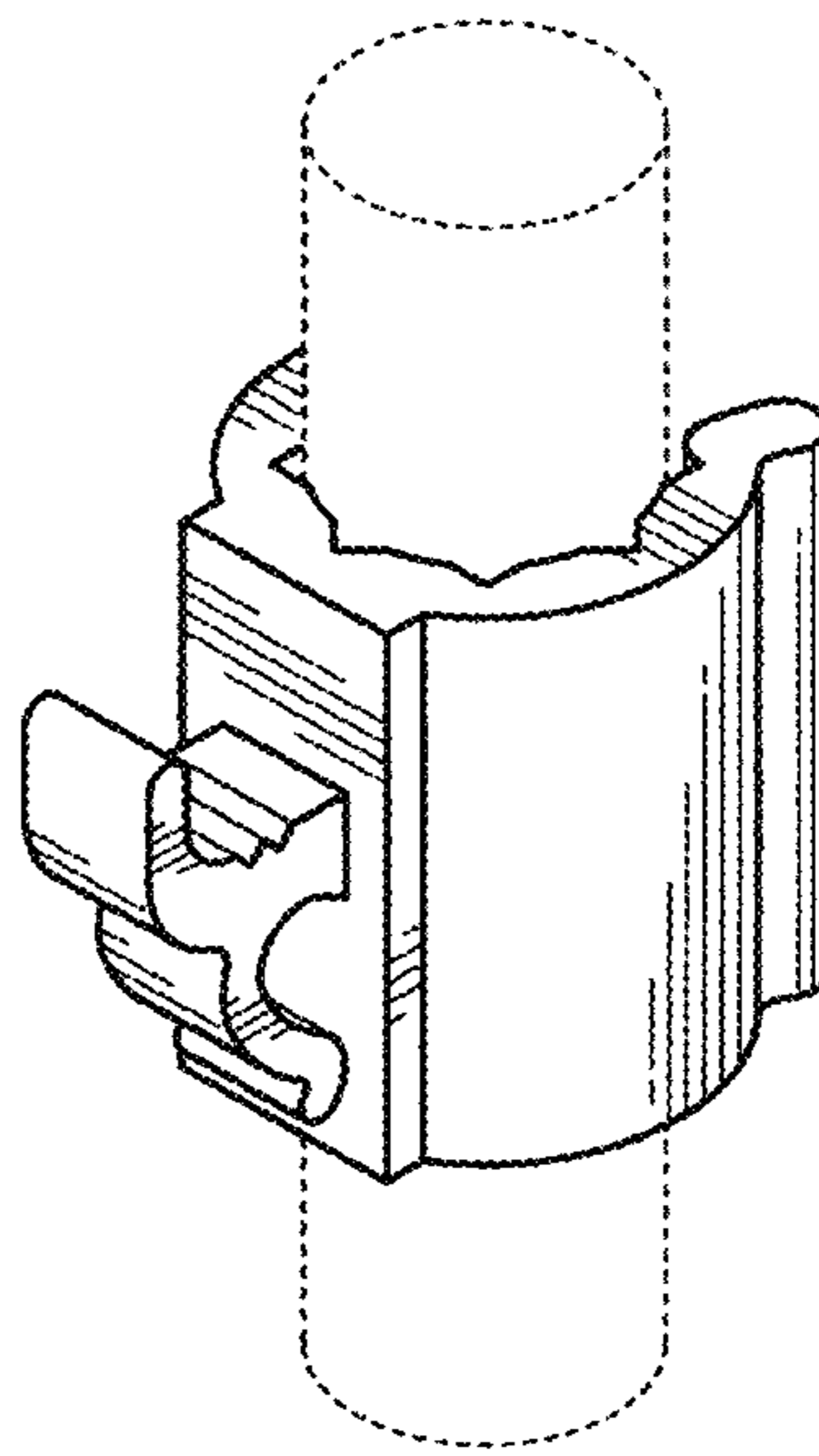


FIG. 15