



US00D808254S

(12) **United States Design Patent**  
**Deleu**

(10) **Patent No.:** **US D808,254 S**

(45) **Date of Patent:** **\*\* Jan. 23, 2018**

- (54) **FRAME TIGHTENER**
- (71) Applicant: **ALUVISION, N.V.**, Deinze (BE)
- (72) Inventor: **Dirk Deleu**, Deinze (BE)
- (73) Assignee: **Aluvision N.V.**, Deinze (BE)
- (\*\*) Term: **15 Years**
- (21) Appl. No.: **29/526,721**
- (22) Filed: **May 13, 2015**

D399,857 S *	10/1998	Kanemichi .....	D15/138
6,045,087 A *	4/2000	Vislocky .....	B65H 75/14
			242/608.2
D471,795 S *	3/2003	Ellenberger .....	D8/399
D537,709 S *	3/2007	Thorner .....	D8/396
D563,207 S *	3/2008	Kawazoe .....	D8/358
D643,442 S *	8/2011	Sato .....	D15/9
D655,599 S *	3/2012	Durham .....	D8/355
8,651,788 B1 *	2/2014	Budde .....	F16B 5/0233
			411/535
D764,196 S *	8/2016	Handler .....	D6/352
D770,884 S *	11/2016	Moreau .....	D8/382
D784,103 S *	4/2017	Hsu .....	D8/71
D796,943 S *	9/2017	Roy .....	D8/382

\* cited by examiner

(30) **Foreign Application Priority Data**

Feb. 25, 2015 (WO) ..... 875292801

(51) **LOC (11) Cl.** ..... **08-08**

(52) **U.S. Cl.**  
USPC ..... **D8/382**

(58) **Field of Classification Search**  
USPC ..... D8/14, 44, 71, 106, 303, 349, 354, 355,  
D8/394, 397, 499  
CPC ..... G09F 15/0012; G09F 15/0018; G09F  
15/0025; G09F 15/0031; G09F  
2007/1808; G09F 2007/1821; G09F  
2007/1839; G09F 2015/0093; G09F  
15/025

See application file for complete search history.

(56) **References Cited**

**U.S. PATENT DOCUMENTS**

1,783,339 A *	12/1930	Mitchell .....	B65H 57/18
			242/128
D269,850 S *	7/1983	Preisler .....	D8/303
D283,591 S *	4/1986	Swanstrom .....	D8/382
D360,816 S *	8/1995	Brown .....	D2/979
D364,882 S *	12/1995	Junkers .....	D15/199

*Primary Examiner* — Sandra S Snapp

*Assistant Examiner* — Ieisha N Price

(74) *Attorney, Agent, or Firm* — Kirschstein, Israel,  
Schiffmiller & Pieroni, P.C.

(57) **CLAIM**

The ornamental design for a frame tightener, as shown and described.

**DESCRIPTION**

FIG. 1 is a perspective view of a frame tightener according to my new design.

FIG. 2 is a front end view thereof.

FIG. 3 is a right side elevational view thereof, the left side elevational view being a mirror image.

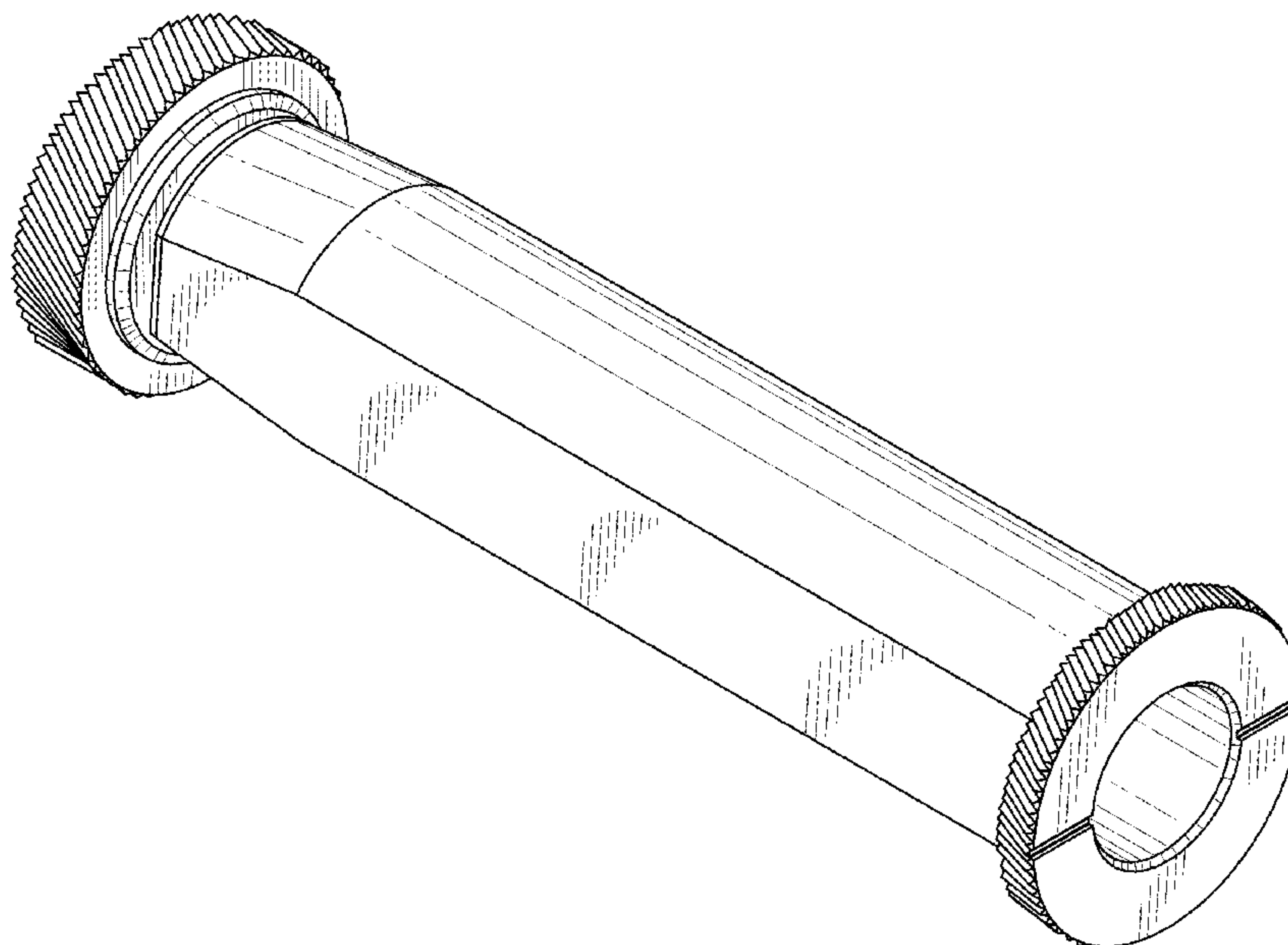
FIG. 4 is a top plan view thereof, the bottom plan view being a mirror image.

FIG. 5 is a rear end view thereof; and,

FIG. 6 is an exploded, perspective view thereof.

The broken lines in the drawings illustrate portions of the frame tightener and form no part of the claimed design.

**1 Claim, 4 Drawing Sheets**



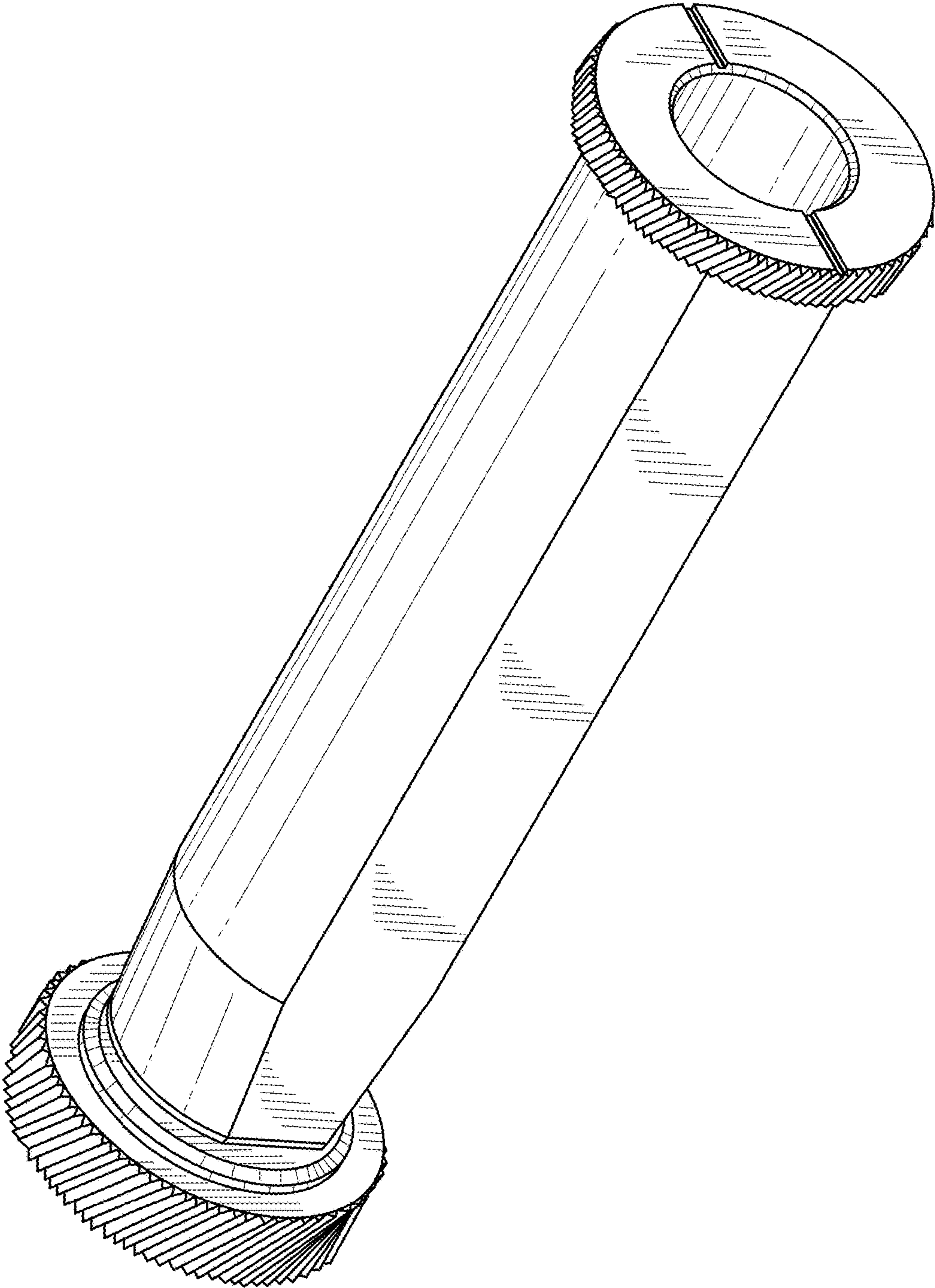


FIG. 1

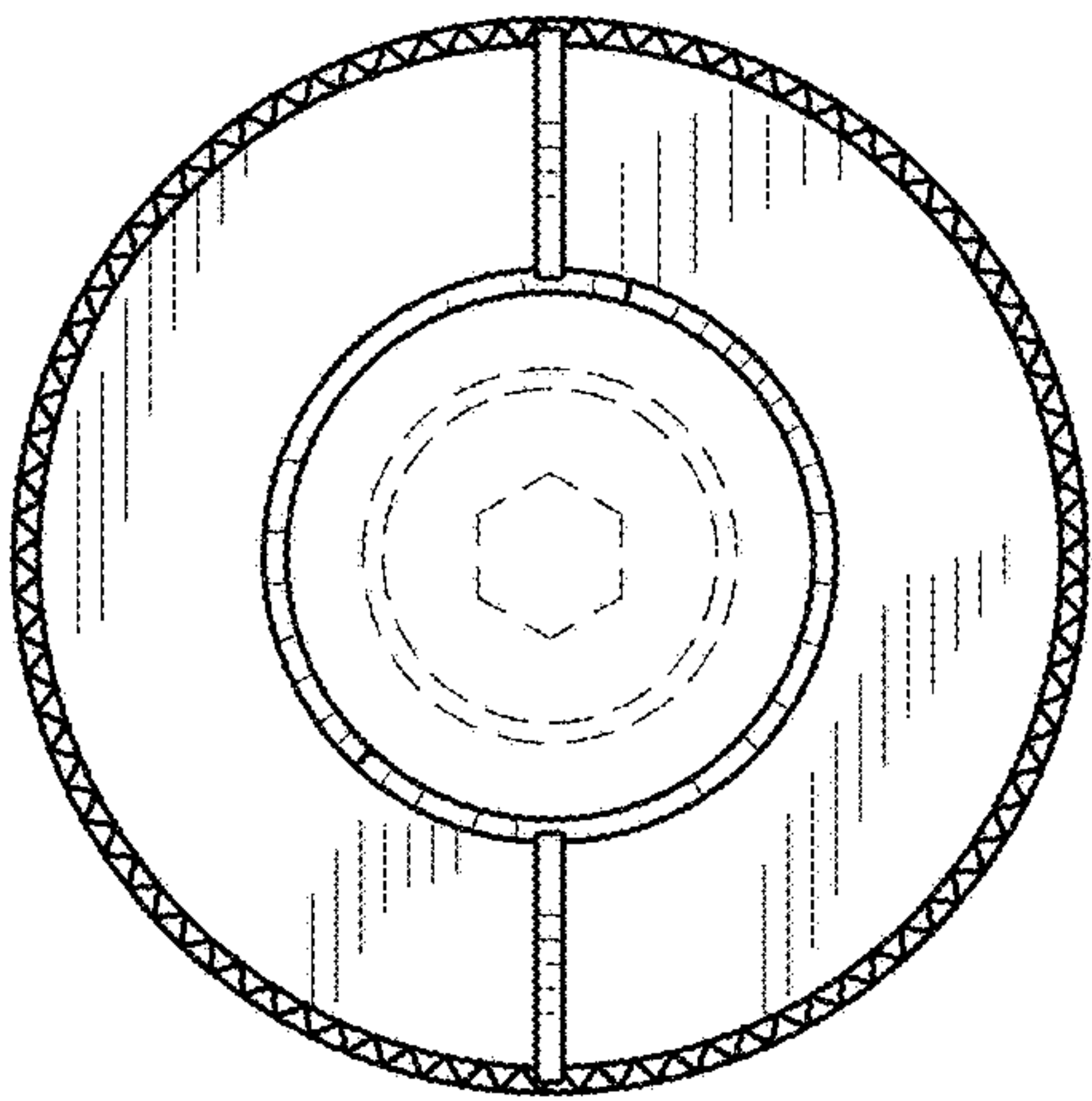


FIG. 2

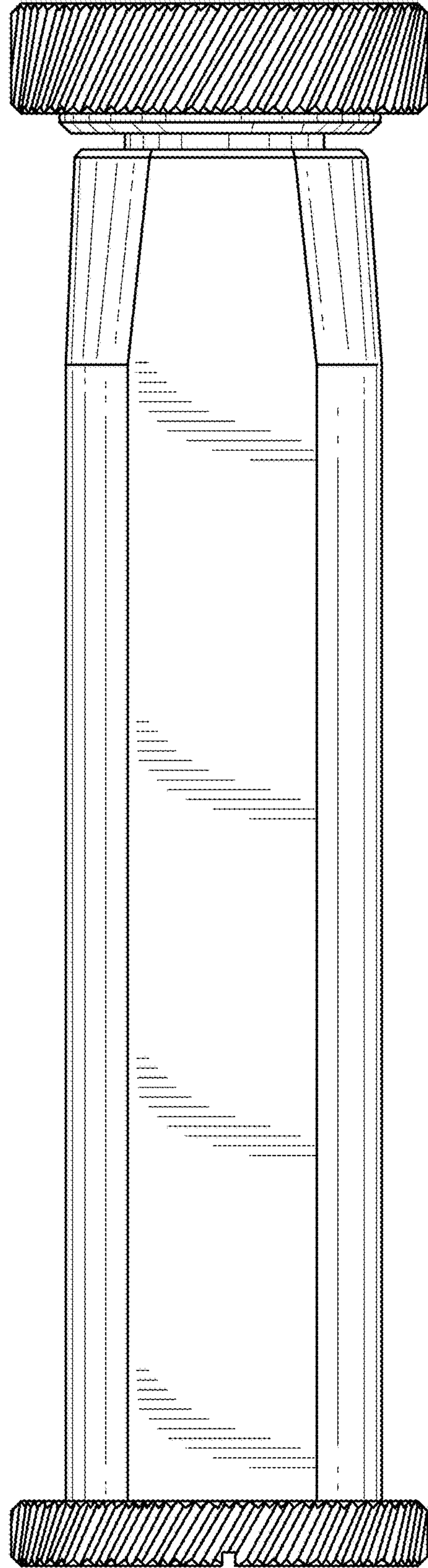


FIG. 3



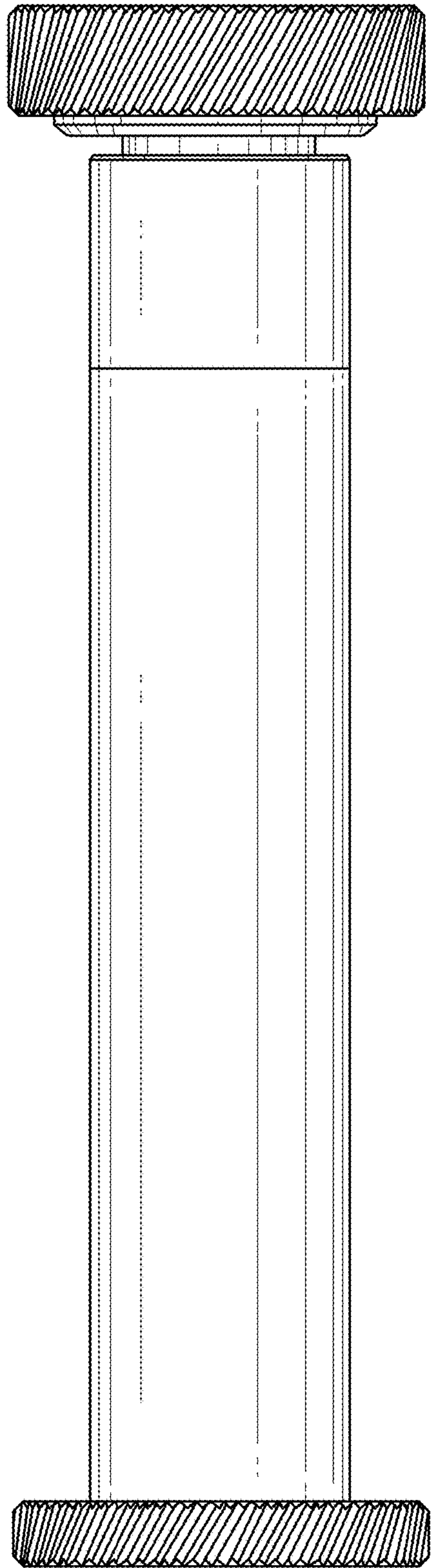


FIG. 4

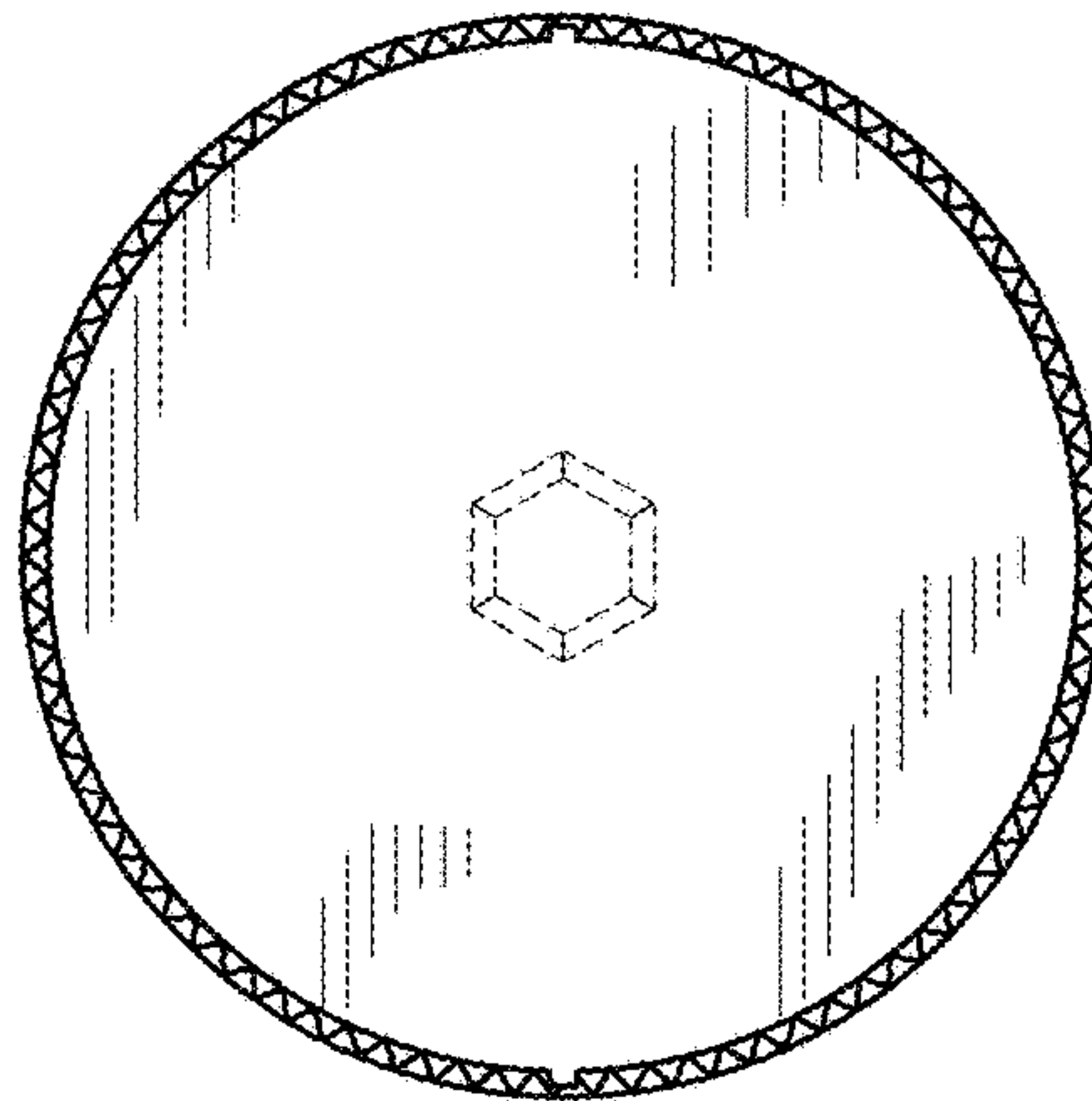


FIG. 5

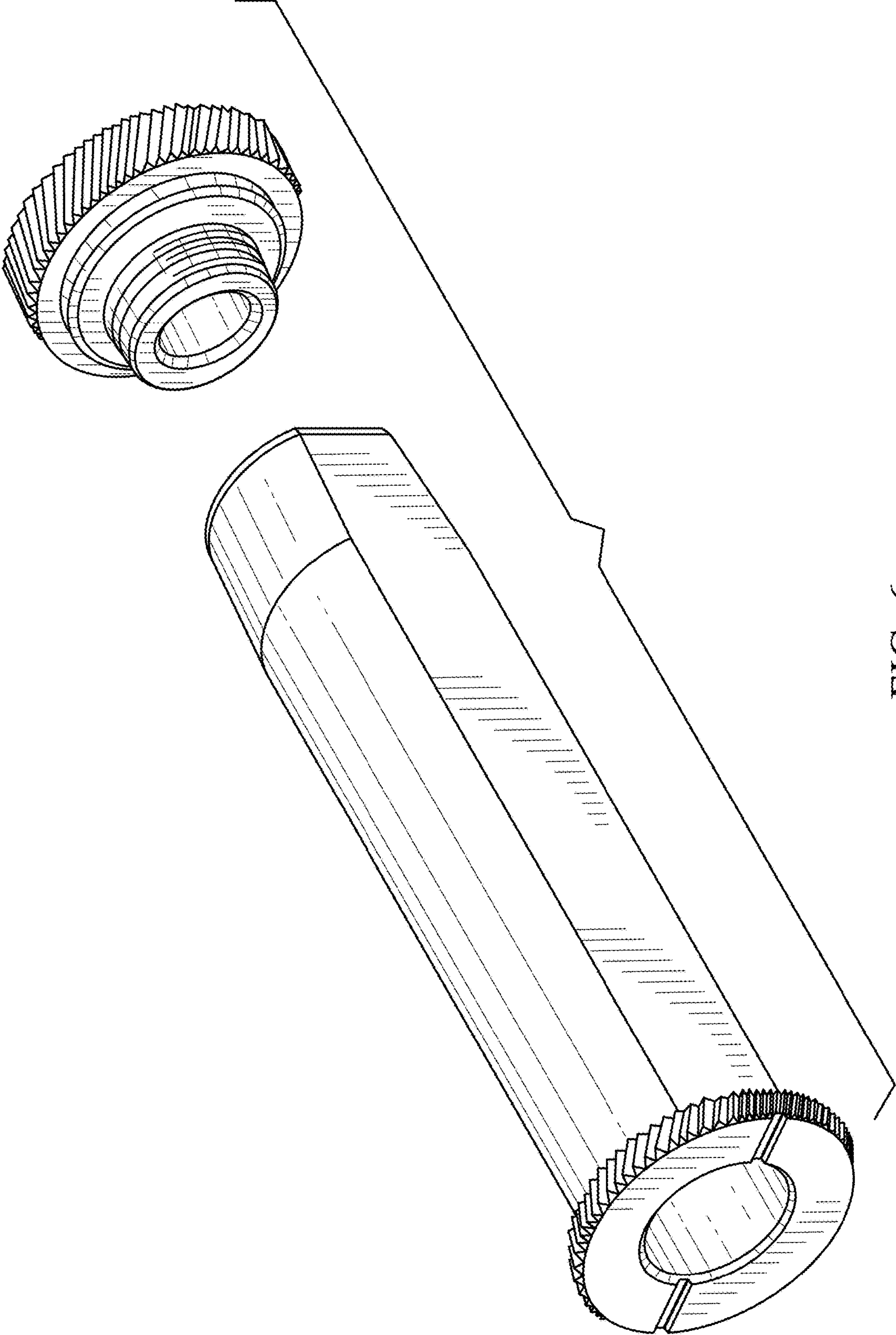


FIG. 6