



US00D808252S

(12) **United States Design Patent**
Forrest et al.

(10) **Patent No.:** **US D808,252 S**
(45) **Date of Patent:** **** Jan. 23, 2018**

(54) **HOOK**

(71) Applicant: **LIBERTY HARDWARE MFG. CORP.**, Winston-Salem, NC (US)

(72) Inventors: **Earl David Forrest**, Asheboro, NC (US); **Bridget Marie Soldan**, Chicago, IL (US)

(73) Assignee: **LIBERTY HARDWARE MFG. CORP.**, Winston-Salem, NC (US)

(**) Term: **15 Years**

(21) Appl. No.: **29/560,178**

(22) Filed: **Apr. 4, 2016**

(51) **LOC (11) Cl.** **08-05**

(52) **U.S. Cl.**
USPC **D8/367**

(58) **Field of Classification Search**
USPC D8/367, 354, 349, 394
CPC F16L 3/13; F16L 3/26; A47G 23/0225;
A47G 25/06; A47G 1/16; A47F 5/0846;
A47F 5/02; H02G 11/003; D06F 55/00;
E04H 17/10

See application file for complete search history.

(56) **References Cited**

U.S. PATENT DOCUMENTS

D241,206 S *	8/1976	Halsted	D6/323
D289,139 S *	4/1987	Chasen	D6/323
D289,255 S *	4/1987	Chasen	D6/323
D296,759 S *	7/1988	Greenhut	D8/367
D307,539 S *	5/1990	Goodman	D8/367
D312,384 S *	11/1990	Hamann	248/301
D312,385 S *	11/1990	Hamann	D8/367
D312,959 S *	12/1990	Hamann	248/220.43
D321,794 S *	11/1991	Chap	D6/323
D327,641 S *	7/1992	Hoskinson	D8/367

D339,058 S *	9/1993	Greenhut	D8/367
D344,010 S *	2/1994	Brazis	D8/367
D353,492 S *	12/1994	Goodman	D6/323
5,372,346 A *	12/1994	Upchurch	F16B 21/04 248/222.52
D361,930 S *	9/1995	Fillipp	D8/367
D390,014 S *	2/1998	Ho	D6/323
D393,412 S *	4/1998	Bries	D8/367
D417,385 S *	12/1999	Bries	D8/367
D428,802 S *	8/2000	Villano	D20/43
D431,451 S *	10/2000	Kuo	D8/367
D446,443 S *	8/2001	Snell	D8/367
D467,791 S *	12/2002	Goodman	D8/367
D468,624 S *	1/2003	Goodman	D8/367
D480,292 S *	10/2003	Johansson	D8/367
D482,600 S *	11/2003	Dretzka	D8/367

(Continued)

OTHER PUBLICATIONS

Liberty Hardware Hook Assembly 15355 (Redacted), pre-Nov. 5, 2013, 2 pages.

Primary Examiner — Cynthia Underwood
(74) *Attorney, Agent, or Firm* — Brooks Kushman P.C.;
Lora Graentzdoerffer

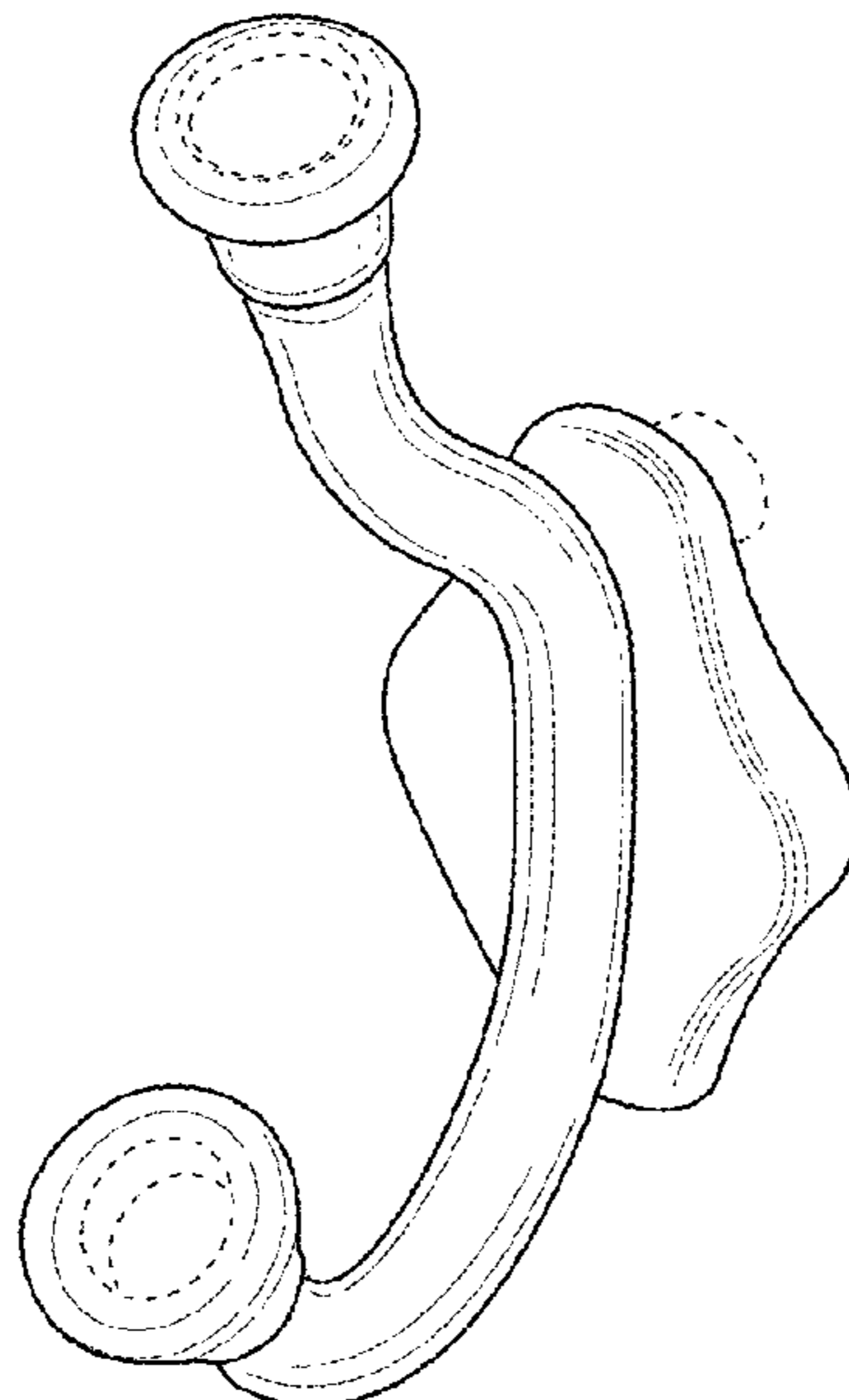
(57) **CLAIM**

The ornamental design for a hook, as shown and described.

DESCRIPTION

FIG. 1 is a perspective view of a hook;
FIG. 2 is a front side elevation view of the hook of FIG. 1;
FIG. 3 is a right side elevation view of the hook of FIG. 1;
FIG. 4 is a left side elevation view of the hook of FIG. 1;
and,
FIG. 5 is a rear side elevation view of the hook of FIG. 1.
The broken lines represent portions of the structure that forms no part of the claim.

1 Claim, 2 Drawing Sheets



(56)

References Cited

U.S. PATENT DOCUMENTS

D494,452 S * 8/2004 Sheldon D8/367
 D505,545 S * 5/2005 Kay D3/228
 D526,132 S 8/2006 Solowiej
 D543,837 S * 6/2007 Newbould D8/367
 D554,481 S * 11/2007 Newbould D8/367
 D554,482 S * 11/2007 Hager D8/367
 D558,034 S * 12/2007 Ernst D8/372
 D565,939 S * 4/2008 Newbould D8/367
 D566,532 S * 4/2008 Wolff D8/367
 D579,322 S * 10/2008 Newbould D8/367
 D580,186 S 11/2008 Krumpe et al.
 D583,653 S * 12/2008 Thompson D8/367
 D591,143 S * 4/2009 Ernst D8/370
 D603,688 S * 11/2009 Chiu D8/367
 D609,995 S * 2/2010 Hager D8/367
 7,789,248 B1 * 9/2010 Salerno A47G 25/08
 211/106.01
 D627,995 S * 11/2010 Osterle D6/716
 D632,951 S * 2/2011 McGreevy D8/367
 D641,228 S * 7/2011 Qiblawi D8/367
 D641,229 S * 7/2011 Qiblawi D8/367
 7,972,100 B2 * 7/2011 Horvath F16B 13/002
 248/304
 8,002,225 B1 * 8/2011 Malone A47B 81/00
 211/118
 D665,653 S * 8/2012 Thompson D8/367
 D670,997 S * 11/2012 Thompson D8/367
 D672,223 S * 12/2012 Thompson D8/356
 D672,565 S 12/2012 Nazario
 D672,636 S 12/2012 Krumpe

D678,041 S * 3/2013 Pan D8/367
 D680,804 S * 4/2013 Gilboe D7/367
 D692,244 S 10/2013 Romero et al.
 D697,387 S * 1/2014 Starck D8/367
 D697,388 S * 1/2014 Pan D8/367
 D697,389 S * 1/2014 Pan D8/367
 D698,628 S * 2/2014 Stanley D8/367
 D714,623 S * 10/2014 Pan D8/367
 D715,133 S * 10/2014 Pan D8/367
 D715,625 S * 10/2014 Pan D8/367
 D715,626 S * 10/2014 Pan D8/367
 D716,134 S 10/2014 Pan et al.
 D720,937 S 1/2015 Fritz
 D720,984 S * 1/2015 Privitera D8/367
 D720,986 S * 1/2015 Citterio D3/260
 D734,133 S * 7/2015 Spindler F21V 21/0808
 D8/367
 D746,664 S * 1/2016 Najieb D23/411
 D751,371 S * 3/2016 Pan D8/372
 D751,372 S * 3/2016 Thompson D8/372
 D756,205 S * 5/2016 New D8/367
 D756,755 S * 5/2016 Kuehn D8/367
 D756,756 S * 5/2016 Kuehn D8/367
 D759,469 S * 6/2016 Garland D8/367
 D760,068 S * 6/2016 Sehl D8/367
 D761,093 S * 7/2016 Liu D8/367
 D762,108 S * 7/2016 Knight D8/372
 D764,901 S * 8/2016 Esparza D8/367
 D769,702 S * 10/2016 Kuniyoshi D8/367
 D781,683 S * 3/2017 Yi D8/354
 2006/0022105 A1 * 2/2006 MacKay F16B 45/00
 248/304

* cited by examiner

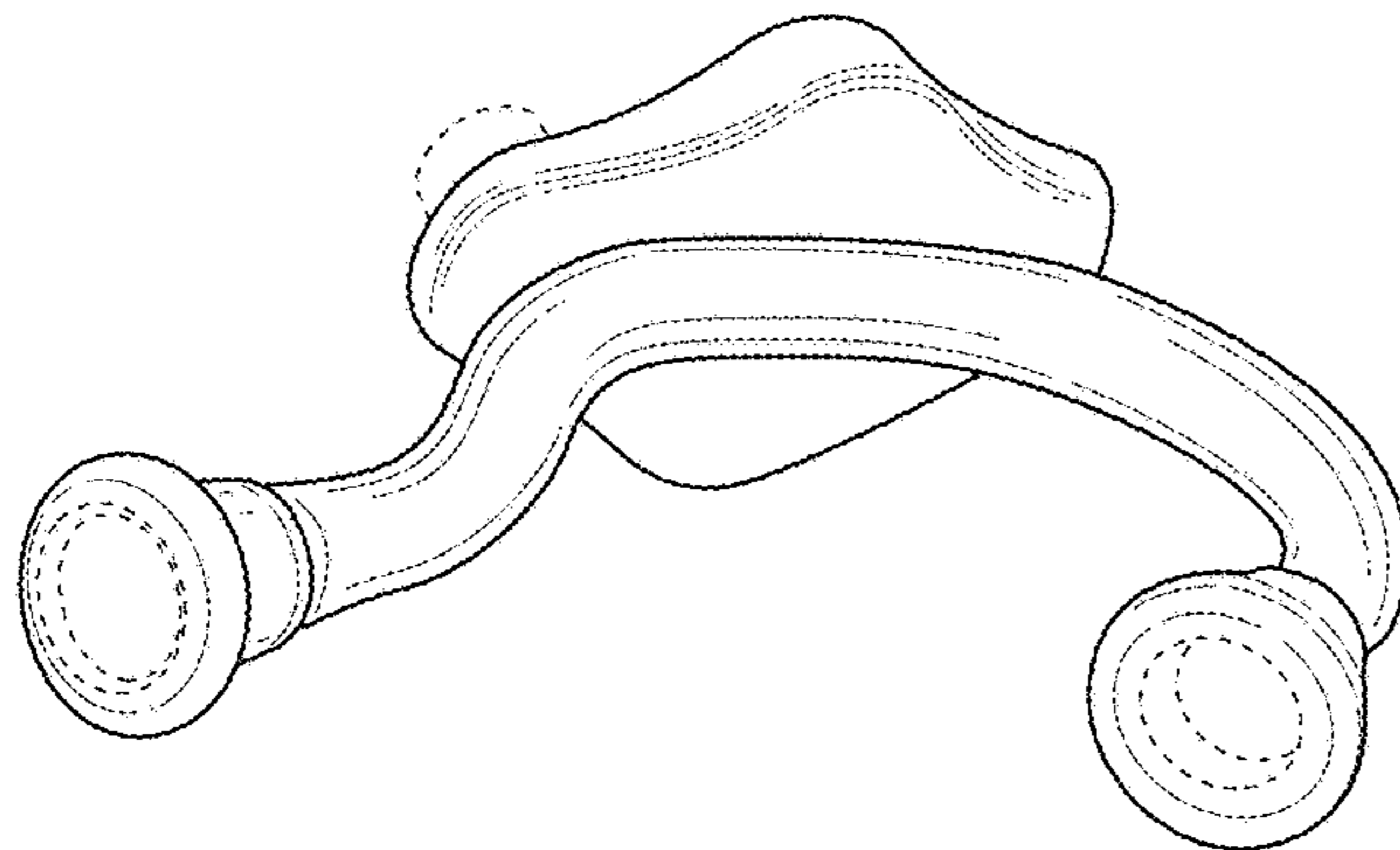


FIG. 1

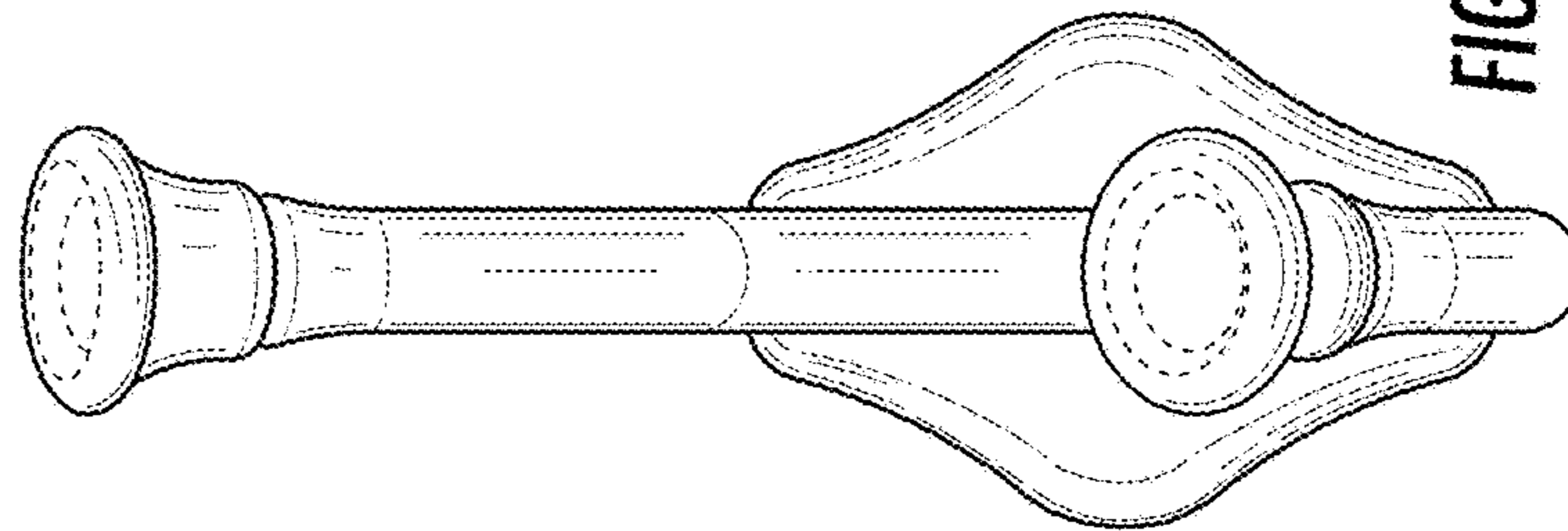


FIG. 2

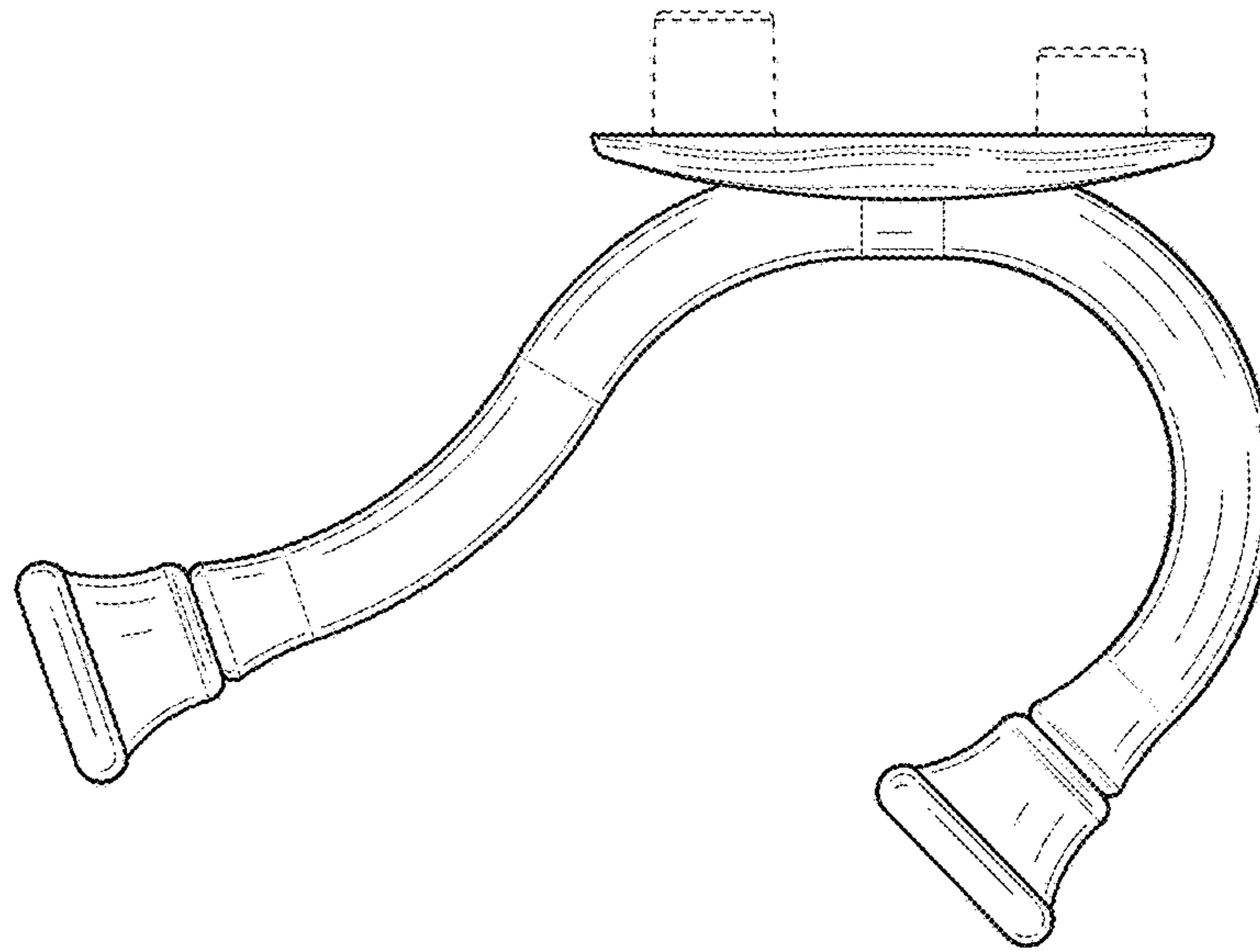


FIG. 3

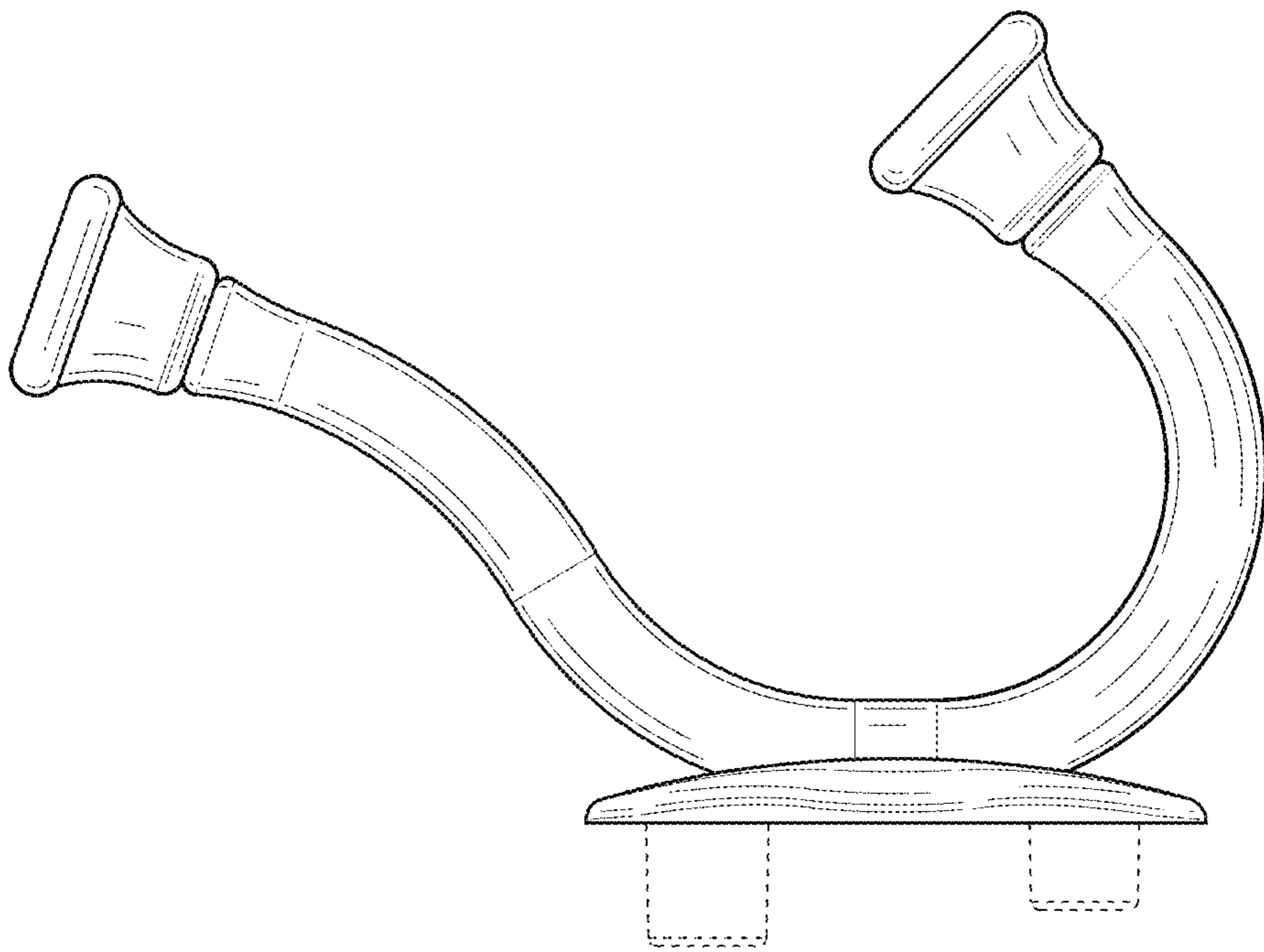


FIG. 4

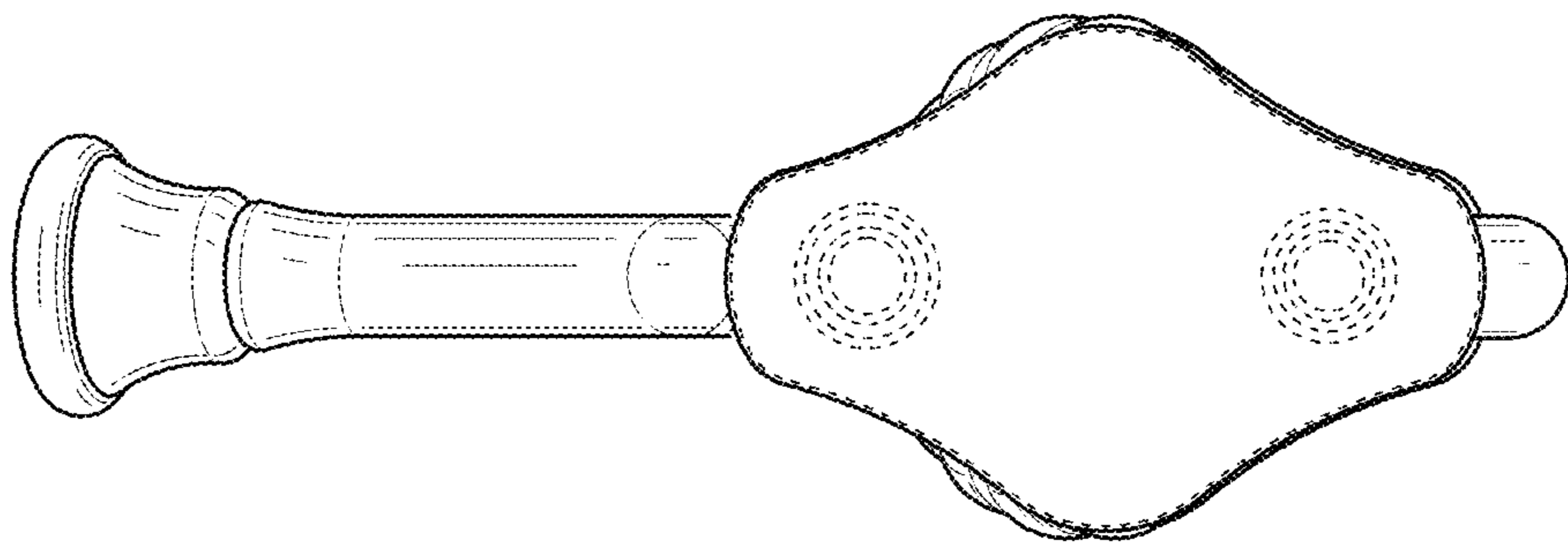


FIG. 5

UNITED STATES PATENT AND TRADEMARK OFFICE
CERTIFICATE OF CORRECTION

PATENT NO. : D808,252 S
APPLICATION NO. : 29/560178
DATED : January 23, 2018
INVENTOR(S) : Earl David Forrest et al.

Page 1 of 1

It is certified that error appears in the above-identified patent and that said Letters Patent is hereby corrected as shown below:

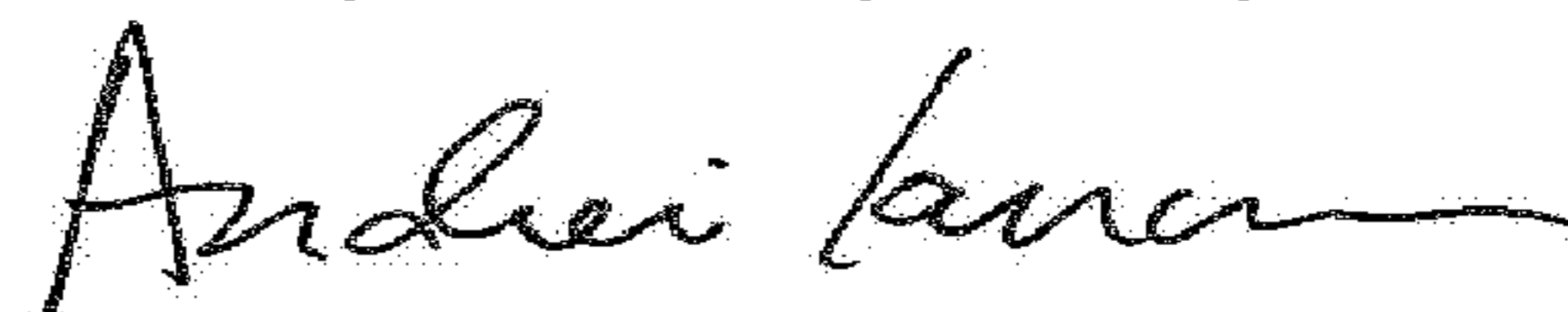
On the Title Page

Insert:

--Related U.S. Application Data

(63) Division of Application 29/508,330, filed on November 5, 2014--

Signed and Sealed this
Twenty-ninth Day of May, 2018



Andrei Iancu
Director of the United States Patent and Trademark Office