



US00D808251S

(12) **United States Design Patent**
Hetrick et al.

(10) **Patent No.:** **US D808,251 S**

(45) **Date of Patent:** **** Jan. 23, 2018**

(54) **FLATTENED DUAL-STACKED
LENGTHENING MECHANISM FOR A
FLEXIBLE STRAP**

(71) Applicant: **Fitness Anywhere LLC**, San Francisco,
CA (US)

(72) Inventors: **Randal A Hetrick**, San Francisco, CA
(US); **Mauricio Hernan Delgado**, San
Anselmo, CA (US)

(**) Term: **15 Years**

(21) Appl. No.: **29/587,145**

(22) Filed: **Dec. 9, 2016**

(51) **LOC (11) Cl.** **09-06**

(52) **U.S. Cl.**
USPC **D8/356**

(58) **Field of Classification Search**
USPC D8/356, 354, 349; D11/218;
24/171

CPC B65H 57/16; E02D 5/803; B63B 21/045;
B63B 59/02; B60D 1/18; B60P 1/103;
Y10T 24/3918; A62B 35/0081; H04R
1/1033; A44B 13/0029; A44B 11/02
See application file for complete search history.

(56) **References Cited**

U.S. PATENT DOCUMENTS

5,123,153	A *	6/1992	Krauss	A44B 11/10 24/171
5,205,021	A *	4/1993	Durand	A44B 11/12 24/163 R
5,285,555	A *	2/1994	Bell	A44B 11/10 24/171
D483,294	S *	12/2003	Uehara	D11/218
D507,509	S *	7/2005	Hou	D11/218
D508,218	S *	8/2005	Yoshiguchi	D11/218
D510,297	S *	10/2005	Funo	D11/218

D564,409	S *	3/2008	Pontaoe	D11/218
D576,077	S *	9/2008	Yoshiguchi	D11/218
7,552,515	B2 *	6/2009	Funo	A44B 11/04 24/200
D619,497	S *	7/2010	Paik	D11/218
D619,498	S *	7/2010	Paik	D11/218
D649,907	S *	12/2011	Kataguchi	D11/218
D661,573	S *	6/2012	Paik	D8/367
D668,580	S *	10/2012	Kax	D11/218
D686,059	S *	7/2013	Paik	D8/356
D731,921	S *	6/2015	Kung	D11/218
D741,148	S *	10/2015	Liu	D11/218
D742,722	S *	11/2015	Paik	D8/356

* cited by examiner

Primary Examiner — Cynthia Underwood

(74) *Attorney, Agent, or Firm* — Vedder Price, P.C.

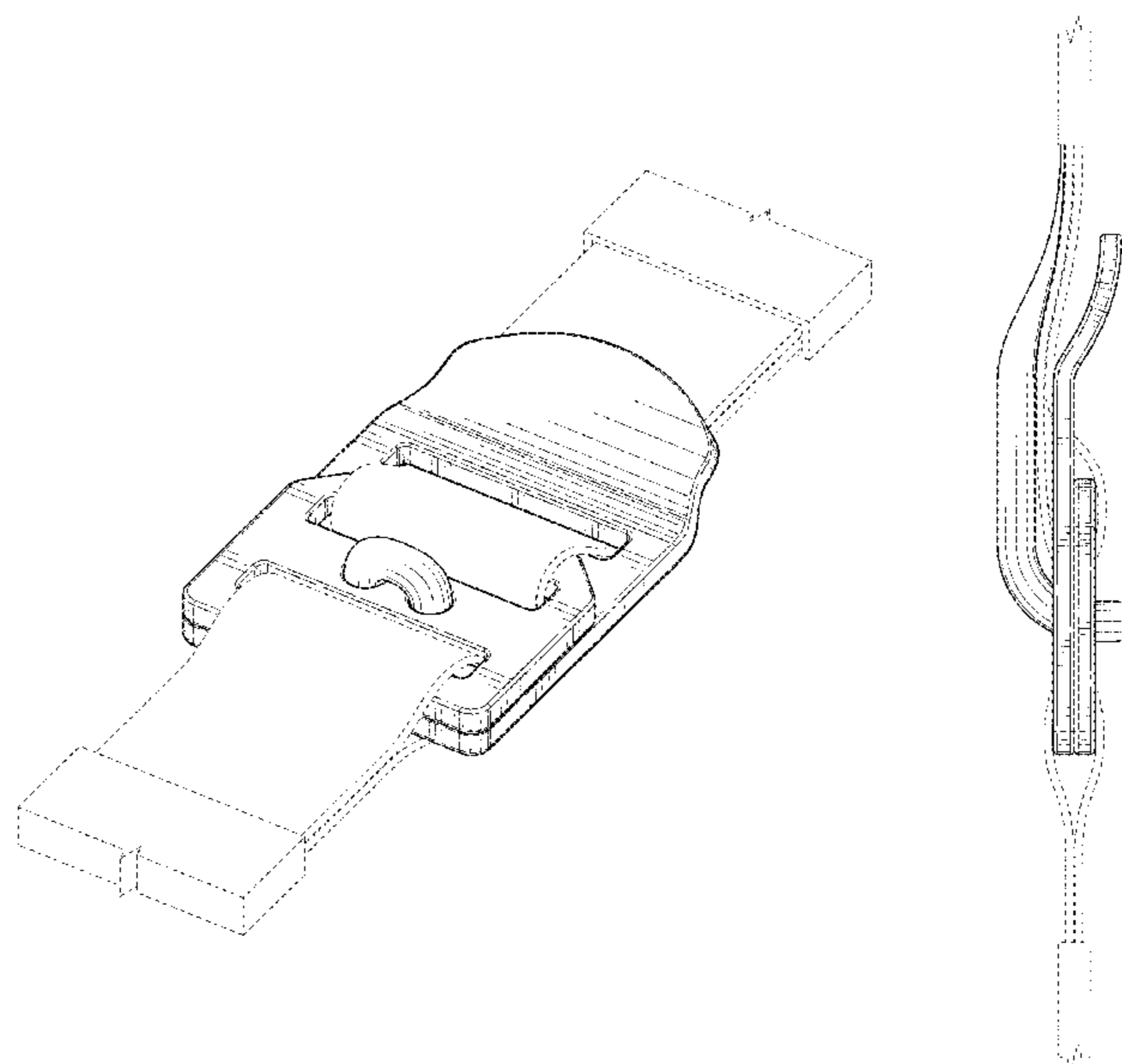
(57) **CLAIM**

A flattened dual-stacked lengthening mechanism for a flexible strap, as shown and described.

DESCRIPTION

FIG. 1 is a perspective view of the flattened dual-stacked lengthening mechanism for a flexible strap;
FIG. 2 is a front view of the flattened dual-stacked lengthening mechanism for a flexible strap of FIG. 1;
FIG. 3 is a back view of the flattened dual-stacked lengthening mechanism for a flexible strap of FIG. 1;
FIG. 4 is a left side view of the flattened dual-stacked lengthening mechanism for a flexible strap of FIG. 1;
FIG. 5 is a right side view of the flattened dual-stacked lengthening mechanism for a flexible strap of FIG. 1;
FIGS. 6 is a top view of the flattened dual-stacked lengthening mechanism for a flexible strap of FIG. 1; and,
FIG. 7 is a bottom view of the flattened dual-stacked lengthening mechanism for a flexible strap of FIG. 1.
The broken lines represent environment that forms no part of the claim.

1 Claim, 5 Drawing Sheets



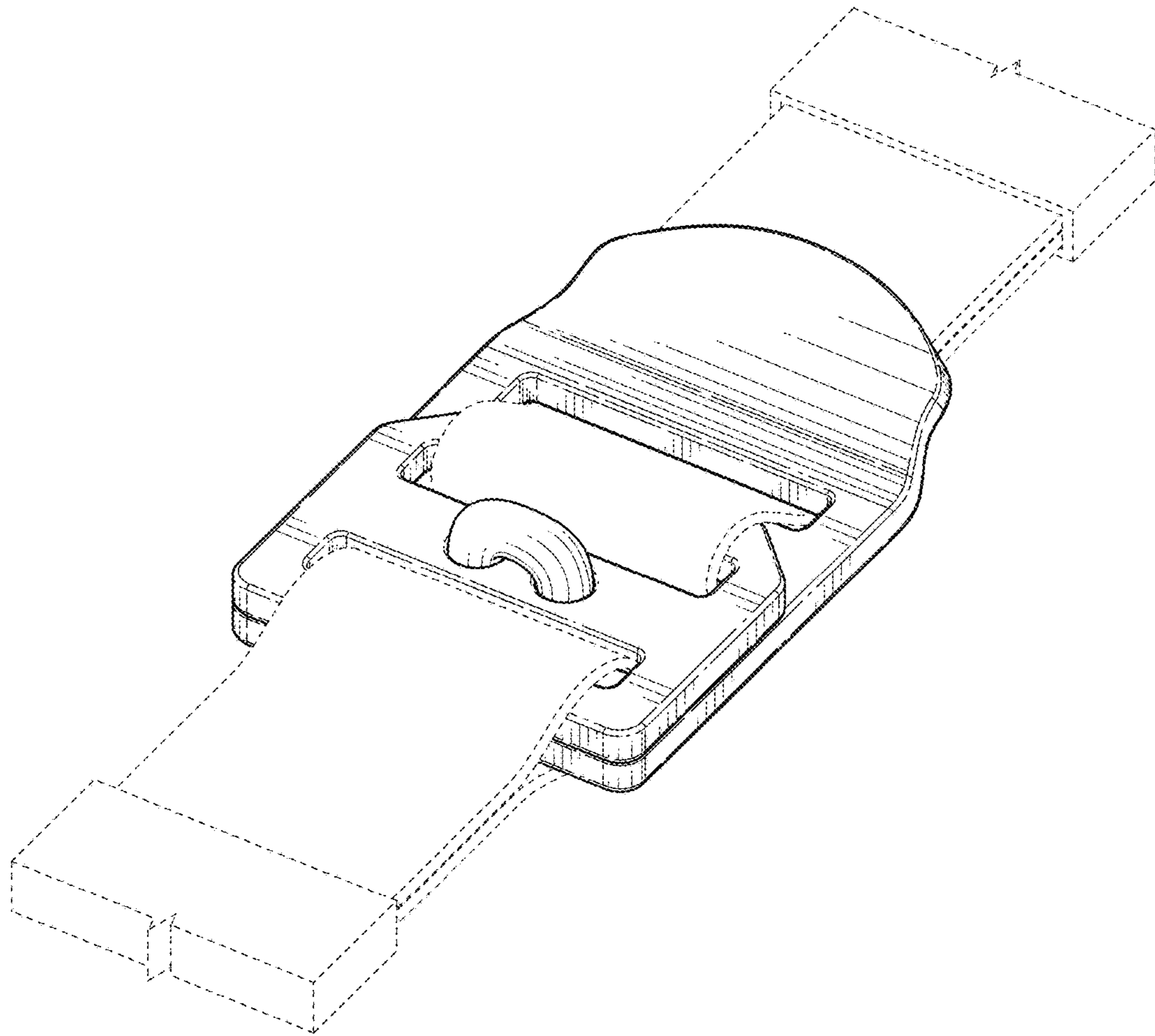


FIG. 1

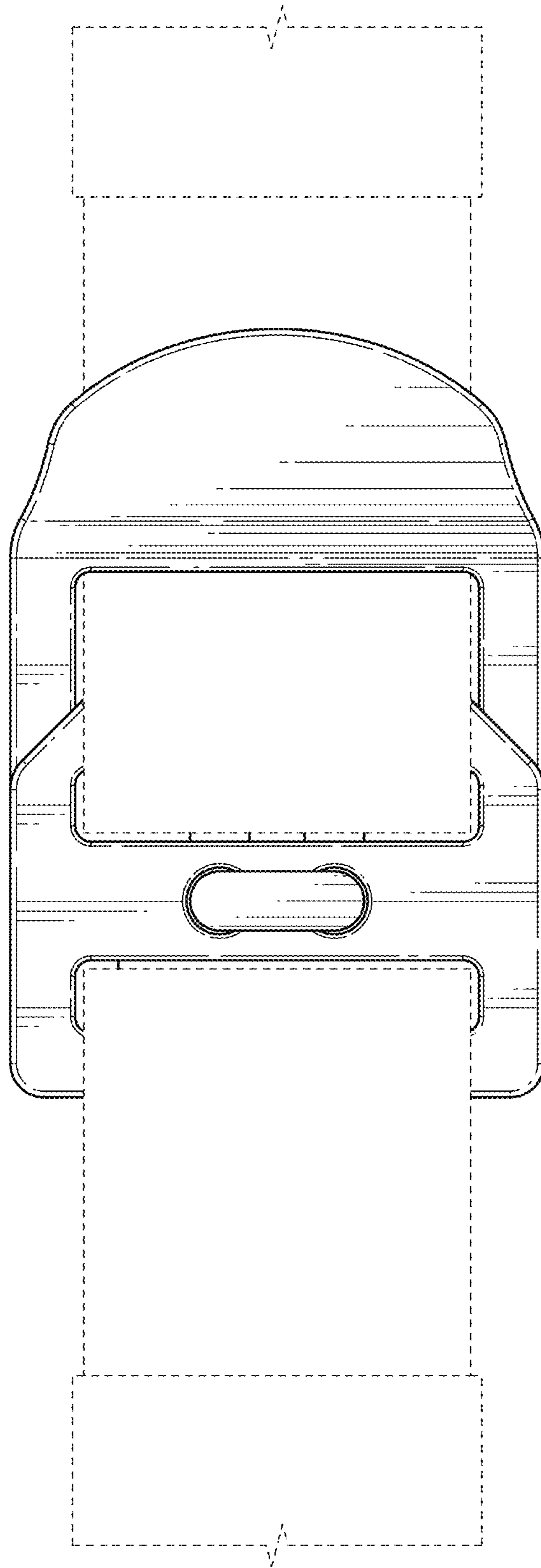


FIG. 2

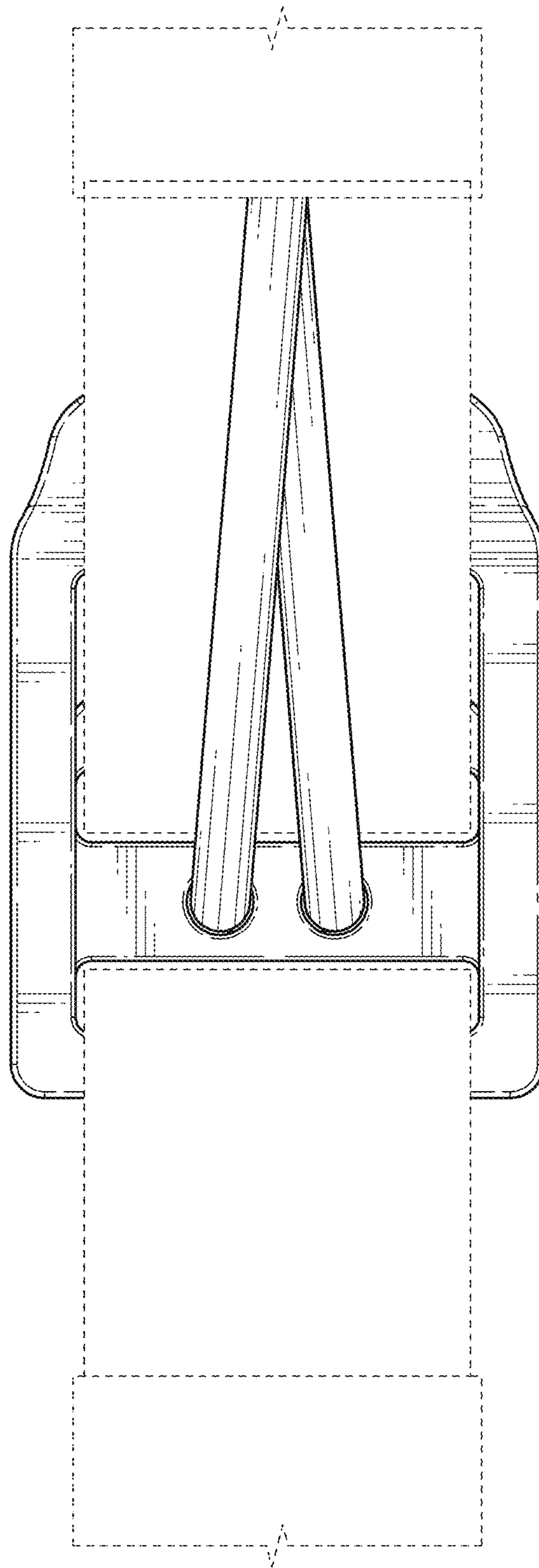


FIG. 3

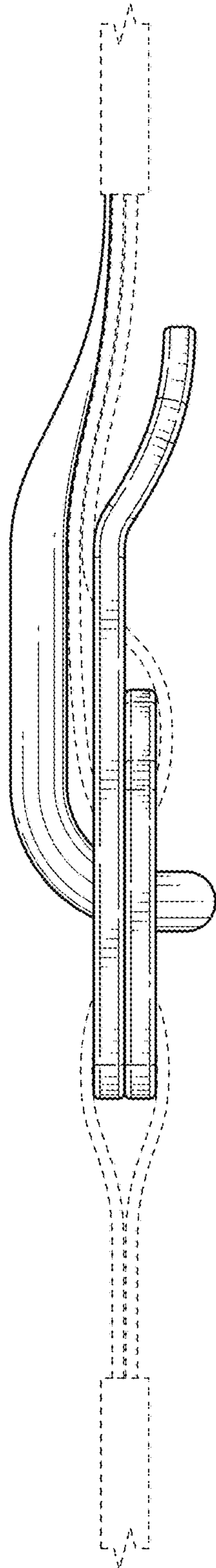


FIG. 4

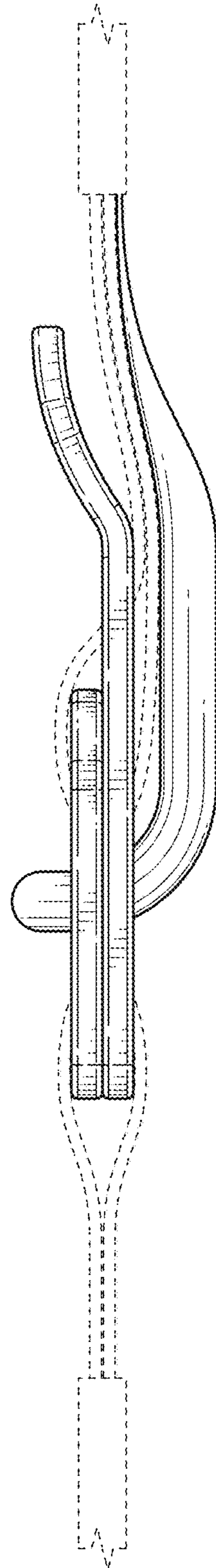


FIG. 5

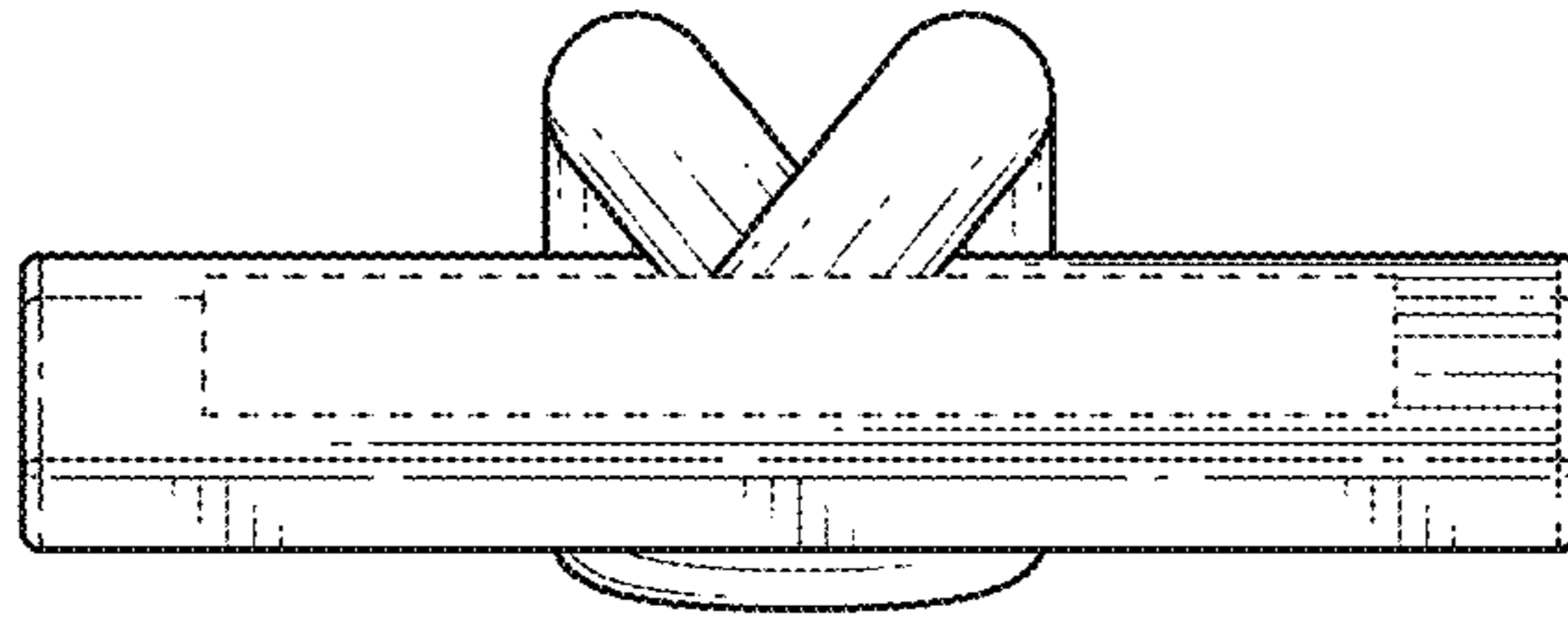


FIG. 6

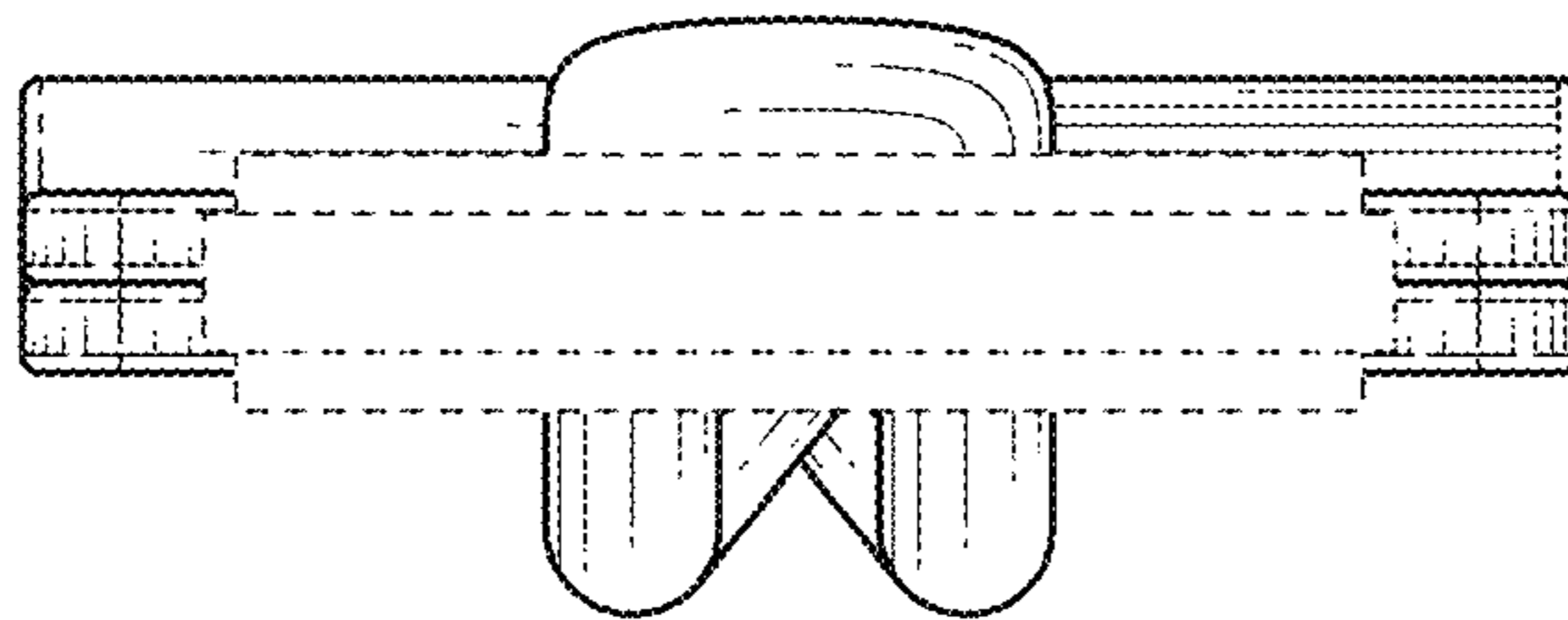


FIG. 7