



US00D808248S

(12) **United States Design Patent**
Krombein

(10) **Patent No.: US D808,248 S**

(45) **Date of Patent: ** Jan. 23, 2018**

(54) **MOUNTING SYSTEM COMPONENTS**

9,139,990 B2 * 9/2015 Bennage B02C 23/36
9,413,062 B2 * 8/2016 Ortiz H01Q 1/1214
9,458,610 B2 * 10/2016 Malaker E03C 1/021

(71) Applicant: **Todd Krombein**, Phoenix, AZ (US)

(72) Inventor: **Todd Krombein**, Phoenix, AZ (US)

(**) Term: **14 Years**

(21) Appl. No.: **29/518,926**

(22) Filed: **Feb. 27, 2015**

(51) **LOC (11) Cl. 08-05**

(52) **U.S. Cl.**
USPC **D8/354**

(58) **Field of Classification Search**
USPC D8/354, 356; D23/249, 259, 260; 4/650,
4/286; 241/46.13; D15/138; 285/3, 363;
137/454.5

CPC F16L 19/02
See application file for complete search history.

(56) **References Cited**

U.S. PATENT DOCUMENTS

5,318,230 A * 6/1994 Ferguson E03C 1/2665
241/46.13
D402,354 S * 12/1998 Strong D23/259
6,733,045 B2 * 5/2004 Harrington F16L 37/252
285/143.1
6,889,948 B2 * 5/2005 Melancon F16L 23/036
248/309.1
D560,469 S * 1/2008 Bartol D8/349
8,424,123 B2 * 4/2013 Svensson B02C 18/0092
241/46.016
D690,336 S * 9/2013 Gjertsen D15/144
D709,995 S * 7/2014 Crabbe D23/262
9,102,445 B2 * 8/2015 Merchant

OTHER PUBLICATIONS

“Umbrella Pole Holder”, <http://www.poolfittings.com/about-us.html> linking to <http://www.poolfittings.com/pdf/Pole%20Holder.pdf>, document available on or before Jul. 21, 2014 (per Internet Archive Wayback Machine, <http://web.archive.org/web/20140721003758/http://www.poolfittings.com/>), Accessed on May 4, 2015.

* cited by examiner

Primary Examiner — Lakiya Rogers

Assistant Examiner — Harold E Blackwell, II

(74) *Attorney, Agent, or Firm* — Knobbe, Martens, Olson & Bear, LLP

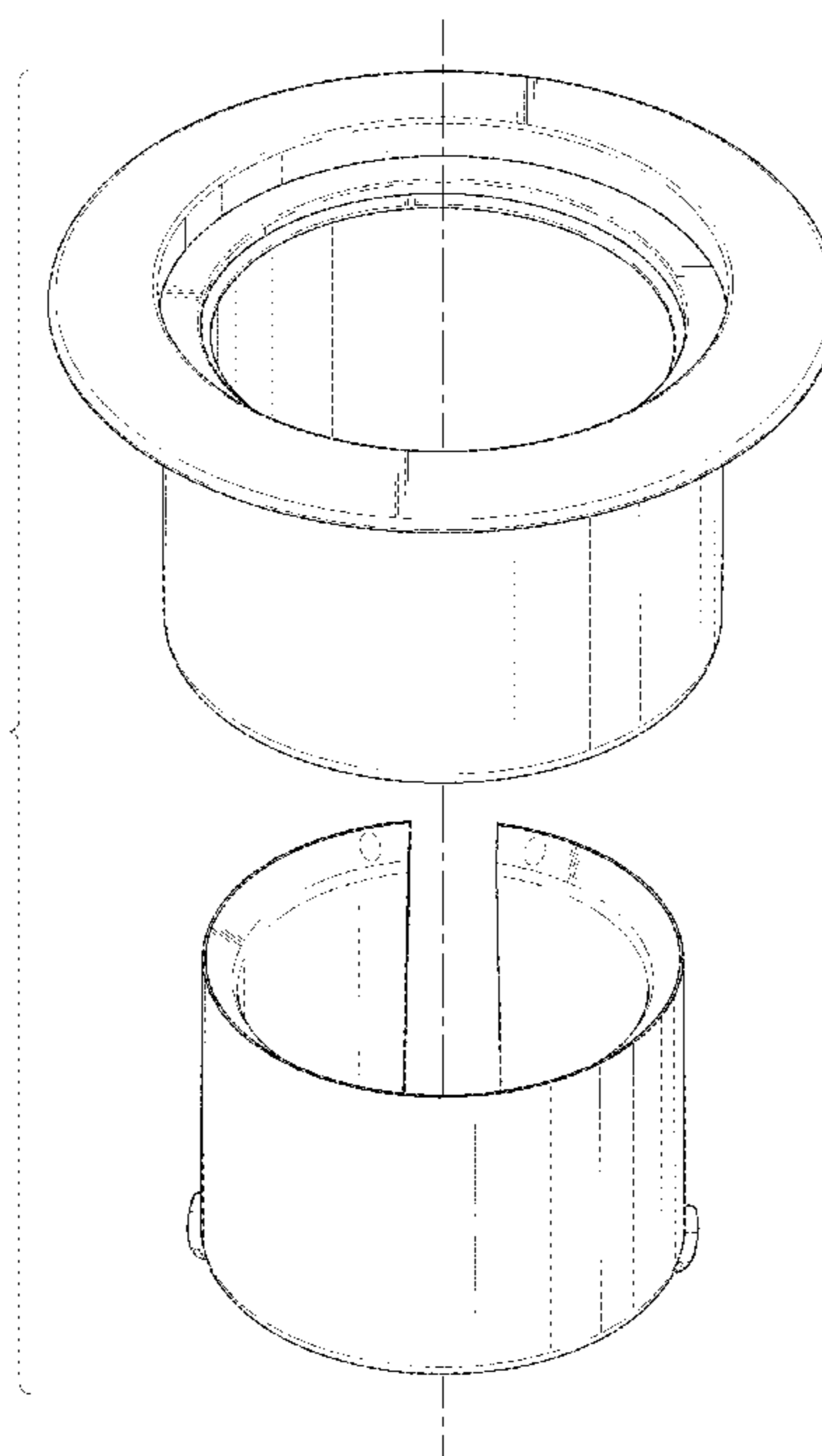
(57) **CLAIM**

The ornamental design for mounting system components, as shown and described.

DESCRIPTION

FIG. 1 is a top perspective view of the design for a mounting system components;
FIG. 2 is a bottom perspective view thereof;
FIG. 3 is a first side view thereof;
FIG. 4 is a second side view thereof;
FIG. 5 is a top view thereof; and,
FIG. 6 is a bottom view thereof.
The portions shown in broken lines provide context only but do not limit the claim and should not be considered part of the claimed design.

1 Claim, 6 Drawing Sheets



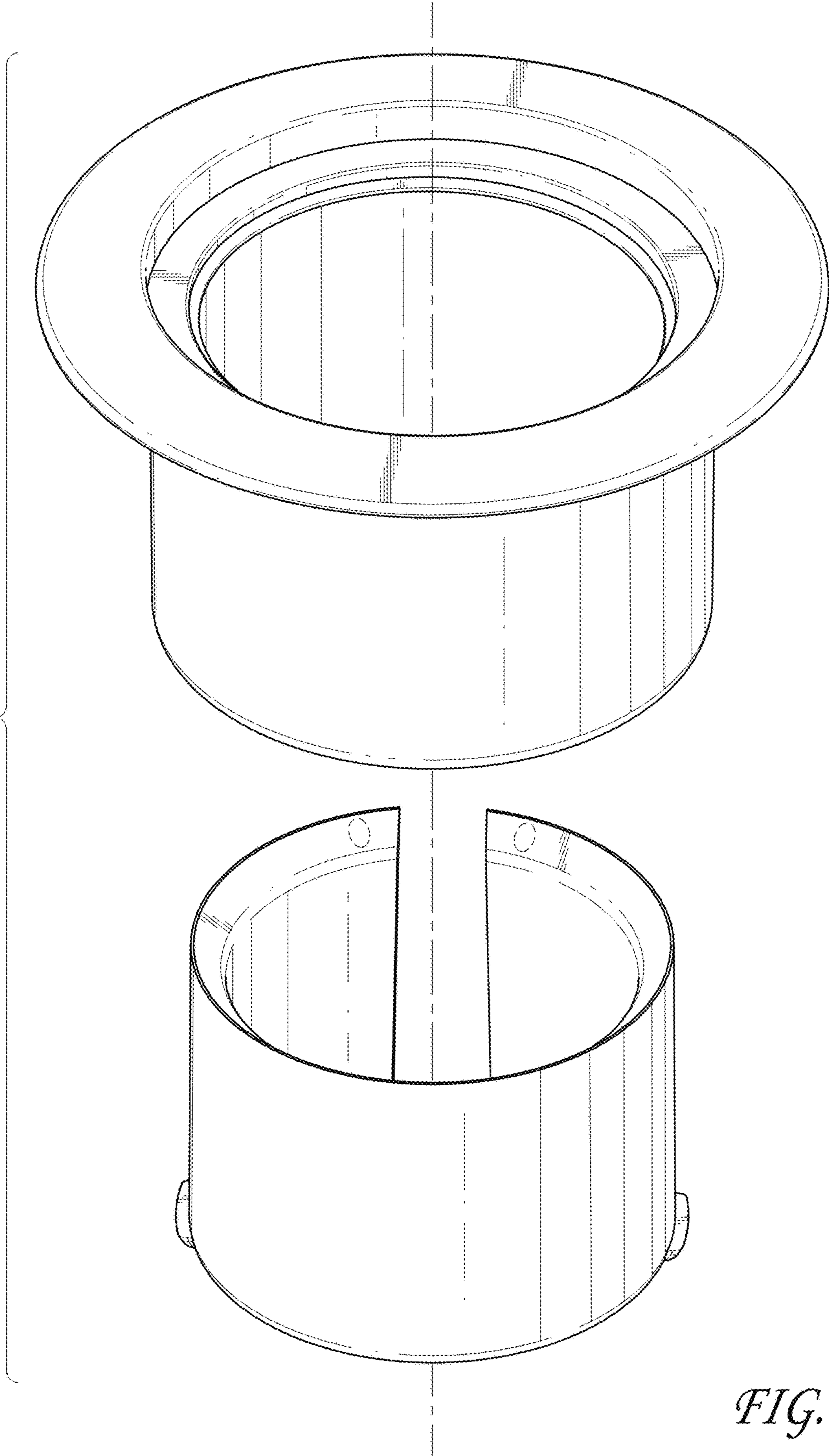


FIG. 1

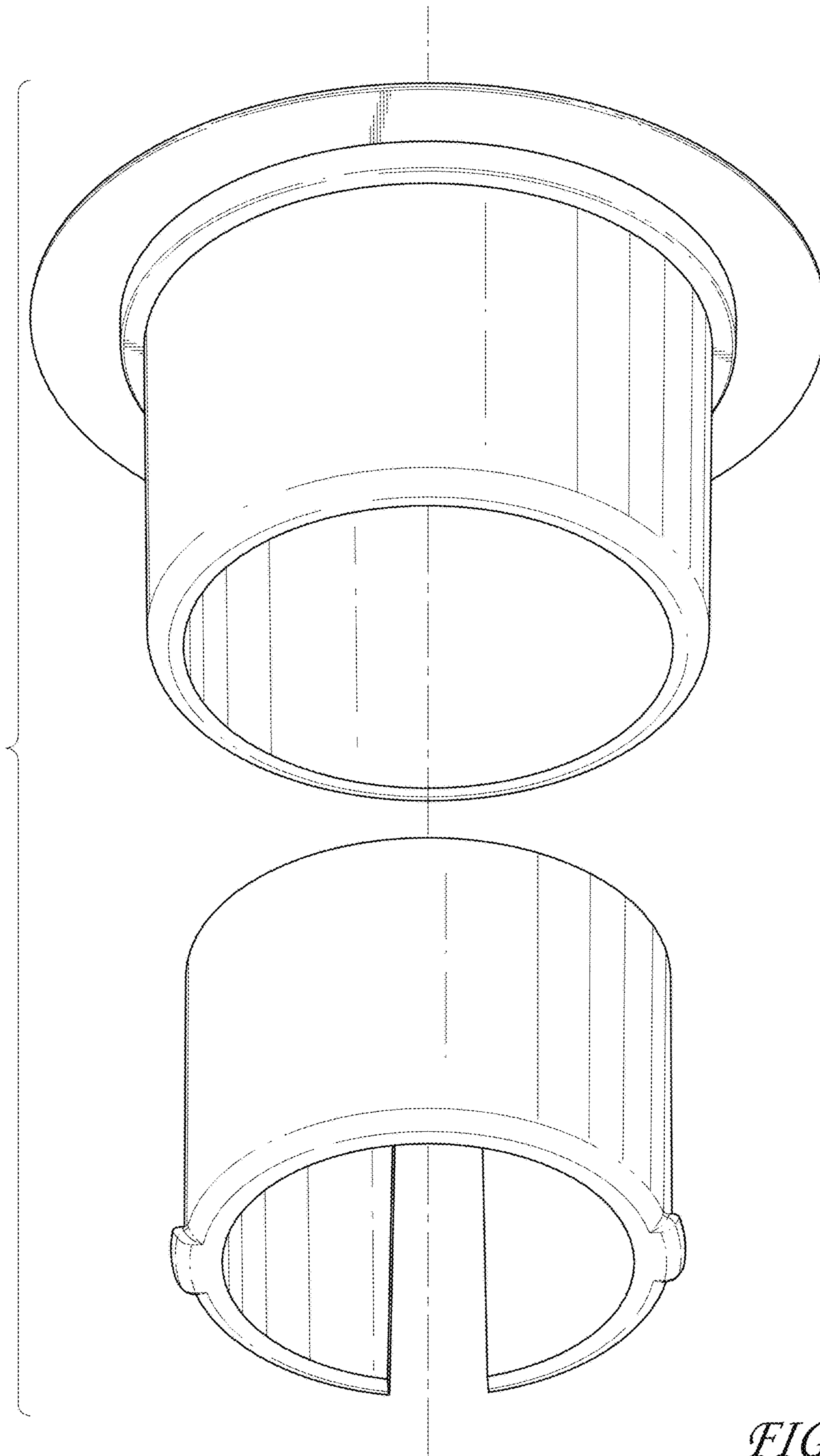


FIG. 2

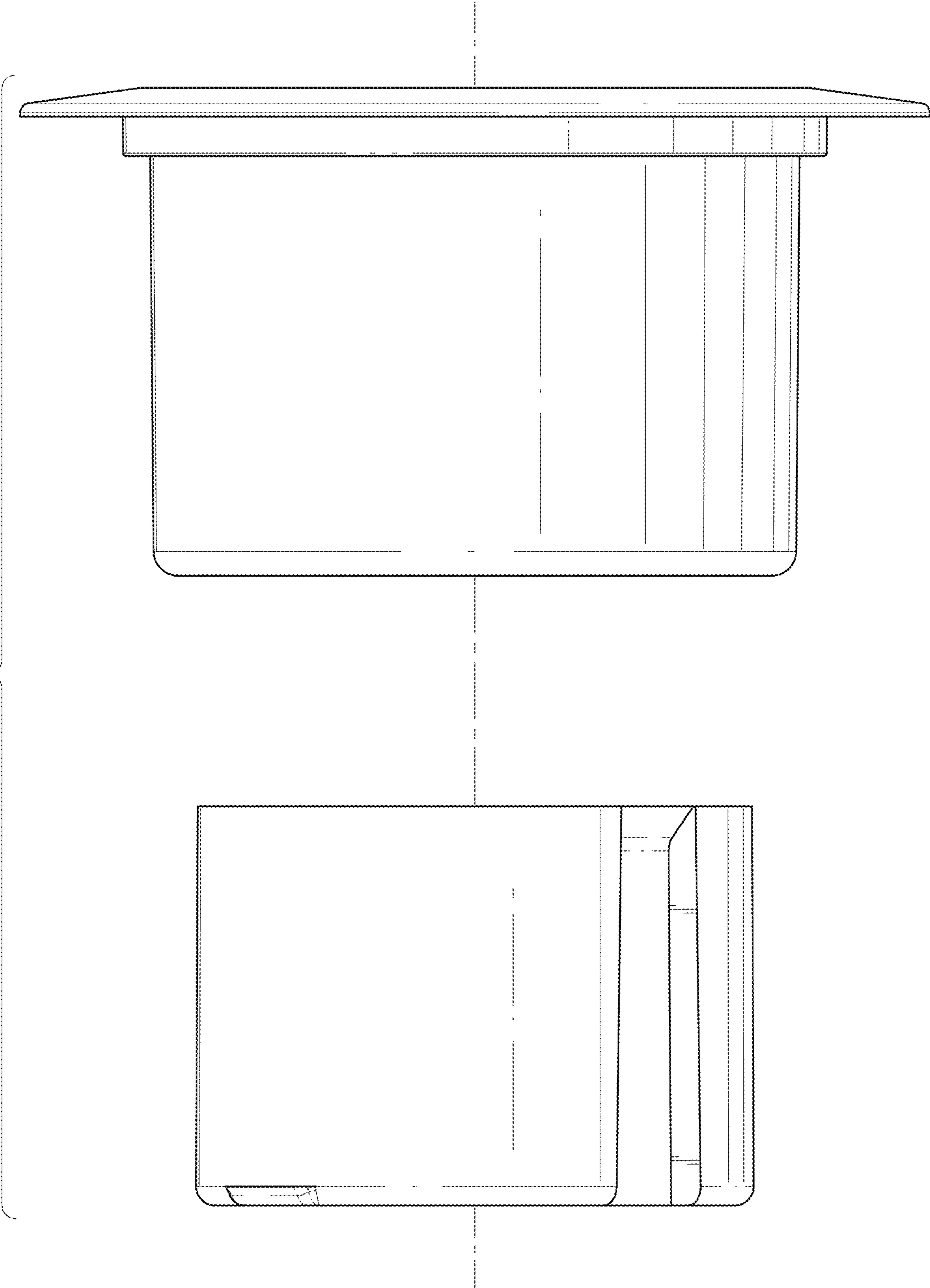


FIG. 3

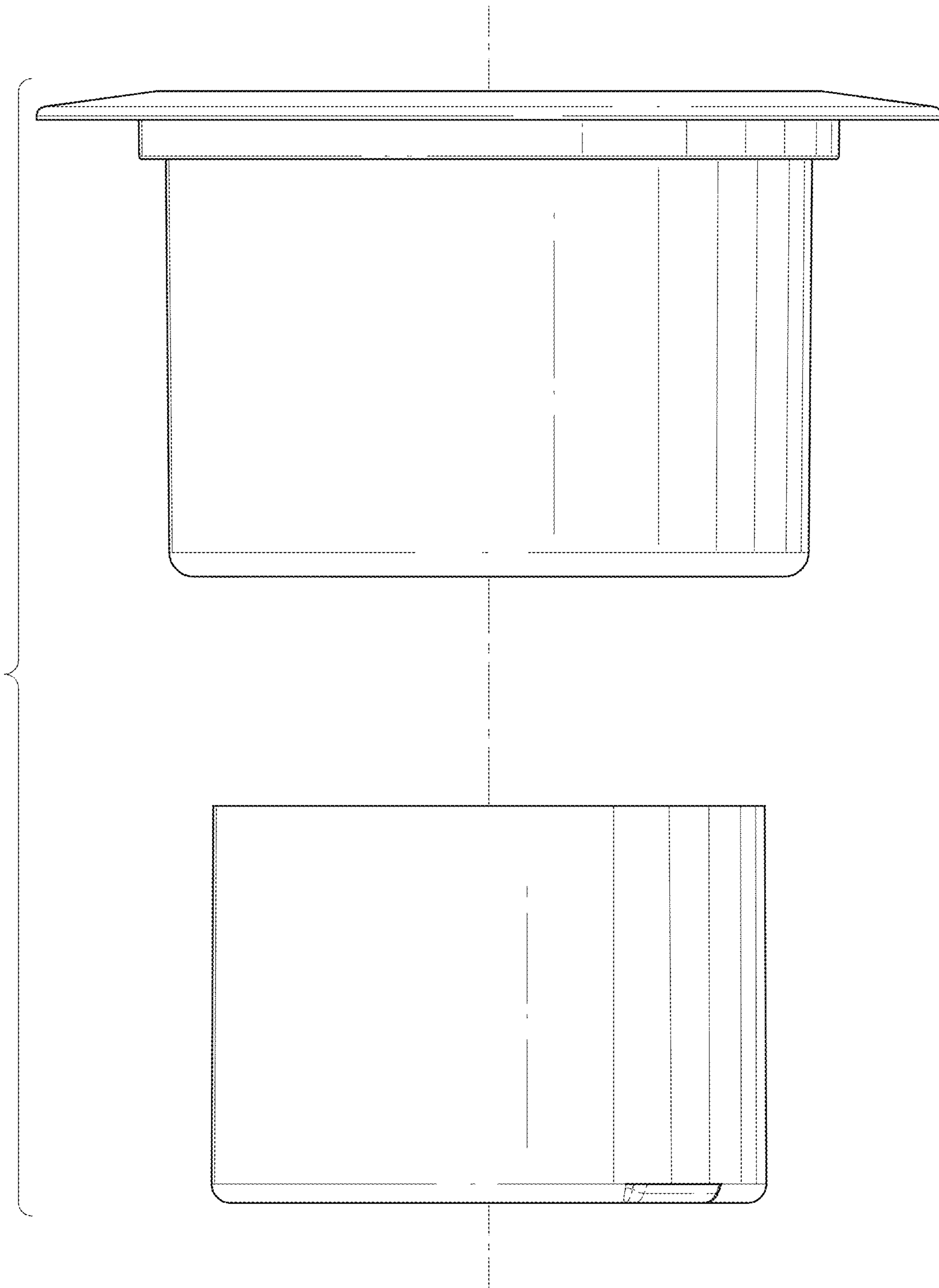


FIG. 4

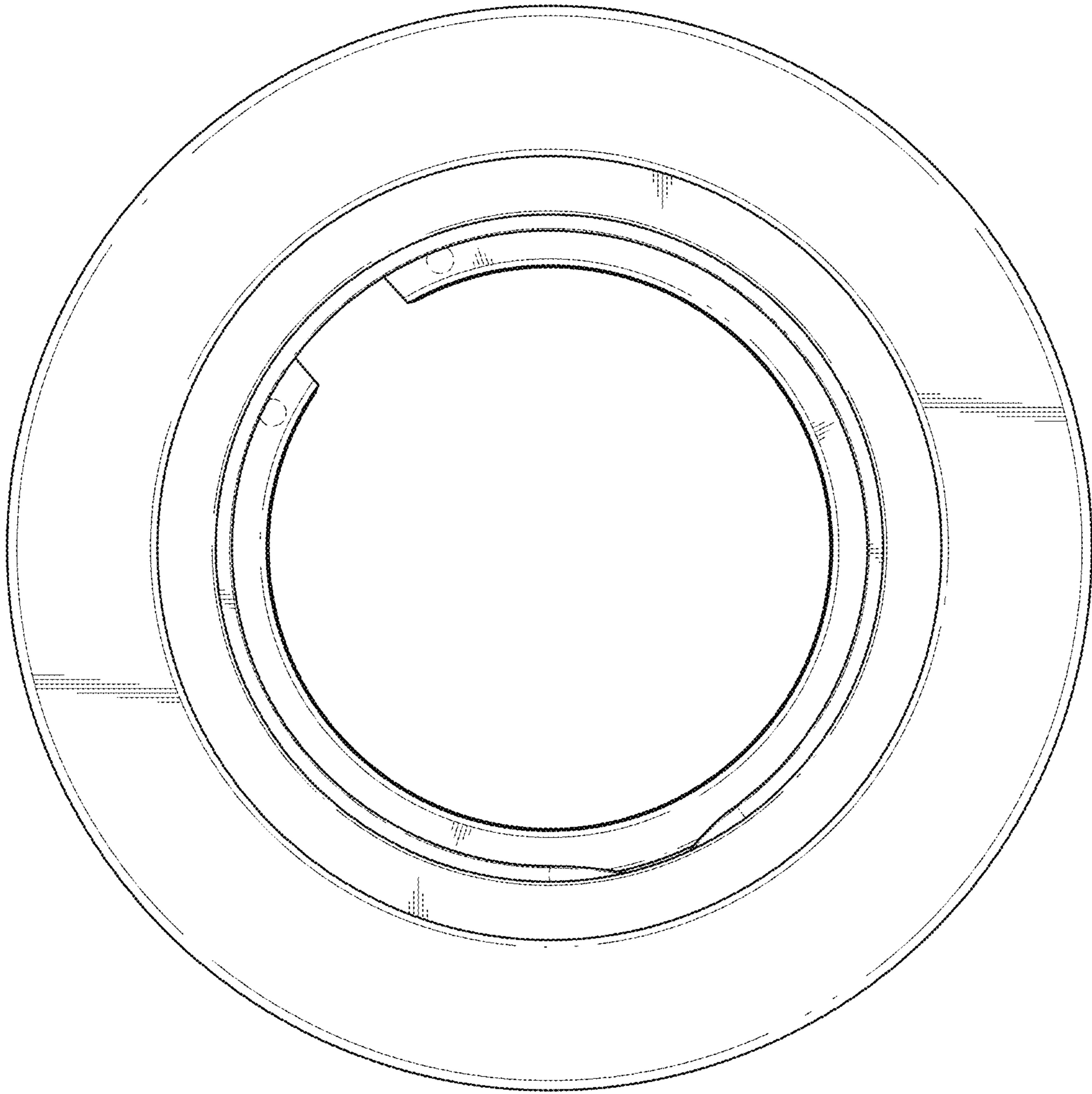


FIG. 5

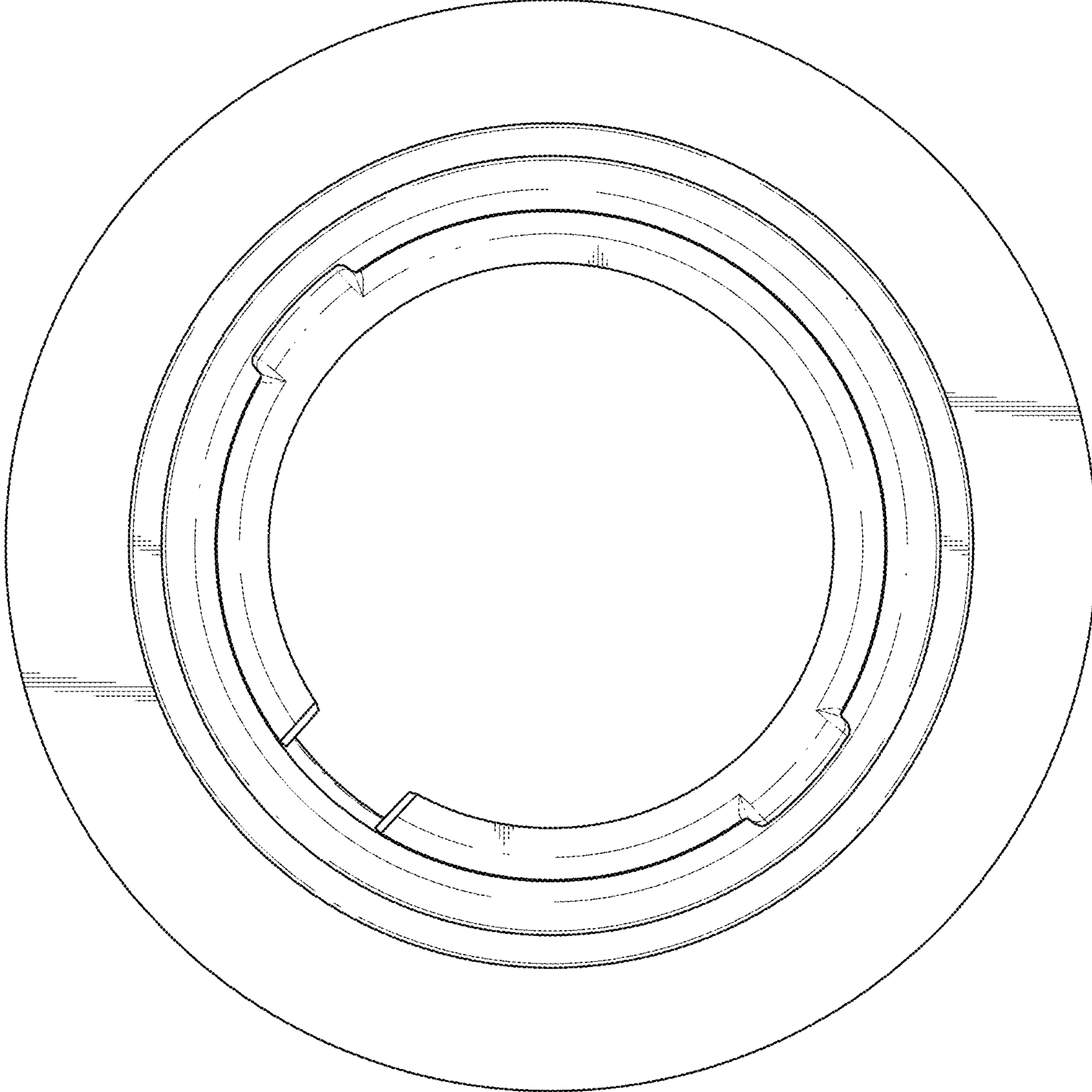


FIG. 6