



US00D808247S

(12) **United States Design Patent** (10) **Patent No.:** **US D808,247 S**
Ritchie et al. (45) **Date of Patent:** **** Jan. 23, 2018**

(54) **KEY**
 (71) Applicant: **Caterpillar Inc.**, Peoria, IL (US)
 (72) Inventors: **Christian Ritchie**, Morton, IL (US);
Scott Larson, Brimfield, IL (US);
Mark Decou, Peoria, IL (US)
 (73) Assignee: **Caterpillar Inc.**, Peoria, IL (US)
 (**) Term: **15 Years**

D424,911 S 5/2000 Geringer et al.
 6,367,298 B1 4/2002 Janssen et al.
 6,386,007 B1 5/2002 Johnson et al.
 6,473,022 B1 10/2002 Wu
 6,601,421 B1 8/2003 Chaillie
 7,370,501 B2 5/2008 Miyata et al.
 D579,318 S 10/2008 Davis
 D608,618 S 1/2010 Rand
 D663,606 S 7/2012 Doll et al.
 D680,418 S 4/2013 Doll et al.

(Continued)

(21) Appl. No.: **29/586,882**
 (22) Filed: **Dec. 7, 2016**

Related U.S. Application Data

(63) Continuation of application No. 29/546,831, filed on Nov. 25, 2015, now Pat. No. Des. 781,135.
 (51) **LOC (11) Cl.** **08-07**
 (52) **U.S. Cl.**
 USPC **D8/347**; D8/348
 (58) **Field of Classification Search**
 USPC D8/347, 348; 70/51, 336, 344, 348, 391,
 70/393, 402, 408, 416, 429, 430, 460,
 70/447, 257, 278.2, 278.3, 413, 456 R,
 70/25, 2
 CPC E05B 19/00; E05B 19/04; E05B 19/20;
 E05B 13/00; E05B 11/00; E05B 27/00
 See application file for complete search history.

(56) **References Cited**

U.S. PATENT DOCUMENTS

3,992,010 A * 11/1976 Mattenson A63F 3/00097
 273/153 R
 D302,238 S 7/1989 Kopu
 D307,704 S 5/1990 Vonlanthen
 D367,602 S * 3/1996 Schweig D8/347
 5,730,013 A 3/1998 Huang et al.
 6,044,494 A * 4/2000 Kang A41D 19/01547
 2/161.1

OTHER PUBLICATIONS

U.S. Appl. No. 29/537,983, filed Aug. 31, 2015. (Unpublished).
 U.S. Appl. No. 29/537,987, filed Aug. 31, 2015. (Unpublished).
 U.S. Appl. No. 29/537,996, filed Aug. 31, 2015. (Unpublished).

Primary Examiner — Prabhakar Deshmukh
 (74) *Attorney, Agent, or Firm* — Saidman Design Law Group

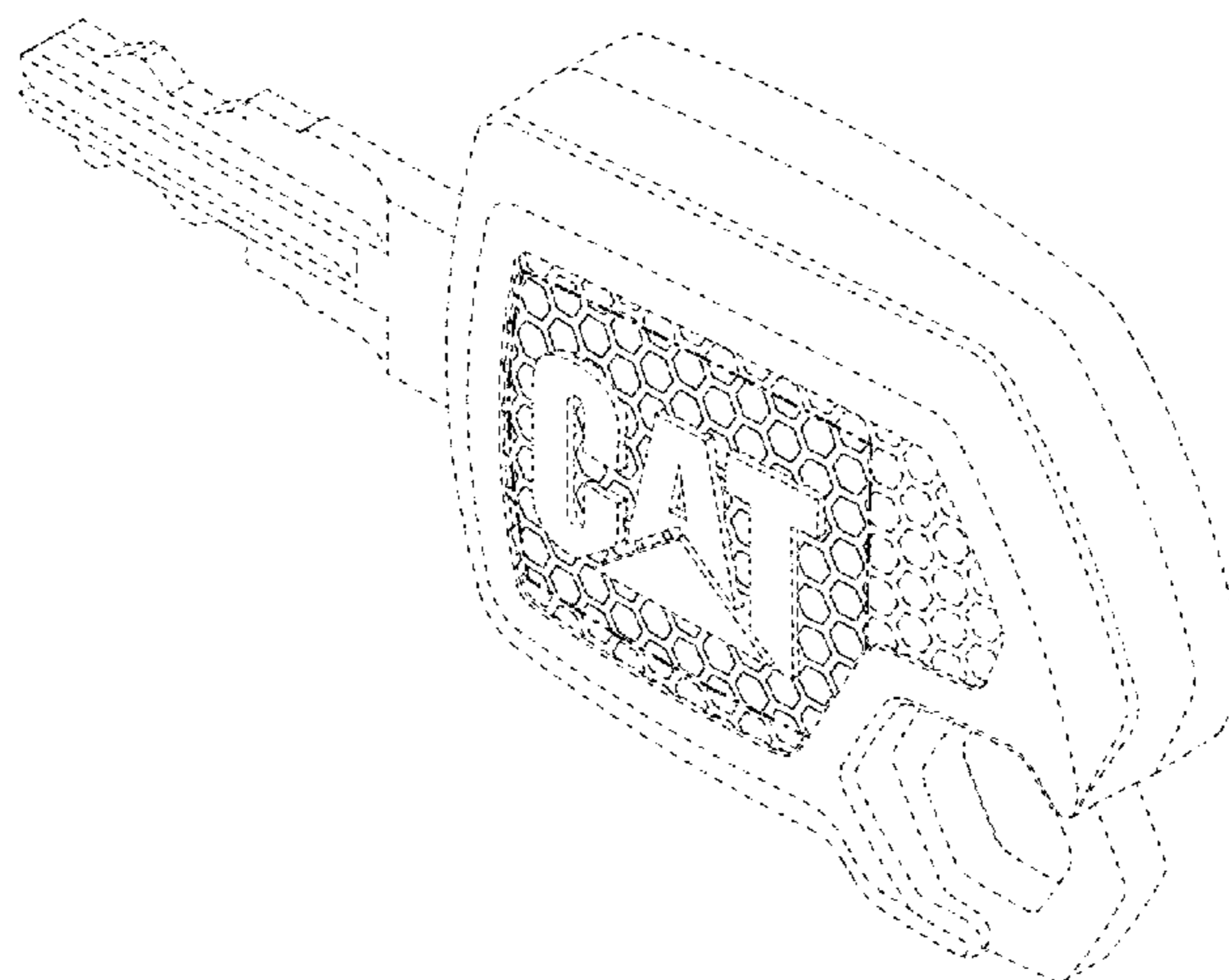
(57) **CLAIM**

The ornamental design for a key, as shown and described.

DESCRIPTION

FIG. 1 is a perspective view of a key showing our new design;
 FIG. 2 is a front view thereof;
 FIG. 3 is a rear view thereof;
 FIG. 4 is a left side view thereof;
 FIG. 5 is a right side view thereof;
 FIG. 6 is a top view thereof; and,
 FIG. 7 is a bottom view thereof.
 The dashed broken lines illustrate structure or features which form no part of the claimed design.
 The dot-dash broken lines represent boundaries of the claimed design; the boundaries themselves form no part of the claimed design.

1 Claim, 4 Drawing Sheets



(56)

References Cited

U.S. PATENT DOCUMENTS

8,635,789 B2 * 1/2014 Spiller A43B 7/00
36/71
D715,785 S * 10/2014 Jacob D14/250
D722,911 S * 2/2015 Nelson D11/60
D731,289 S 6/2015 Ziegler
D733,523 S 7/2015 Kobayashi
9,279,798 B2 * 3/2016 Roder G01N 33/487
D754,683 S * 4/2016 Moon D14/485

* cited by examiner

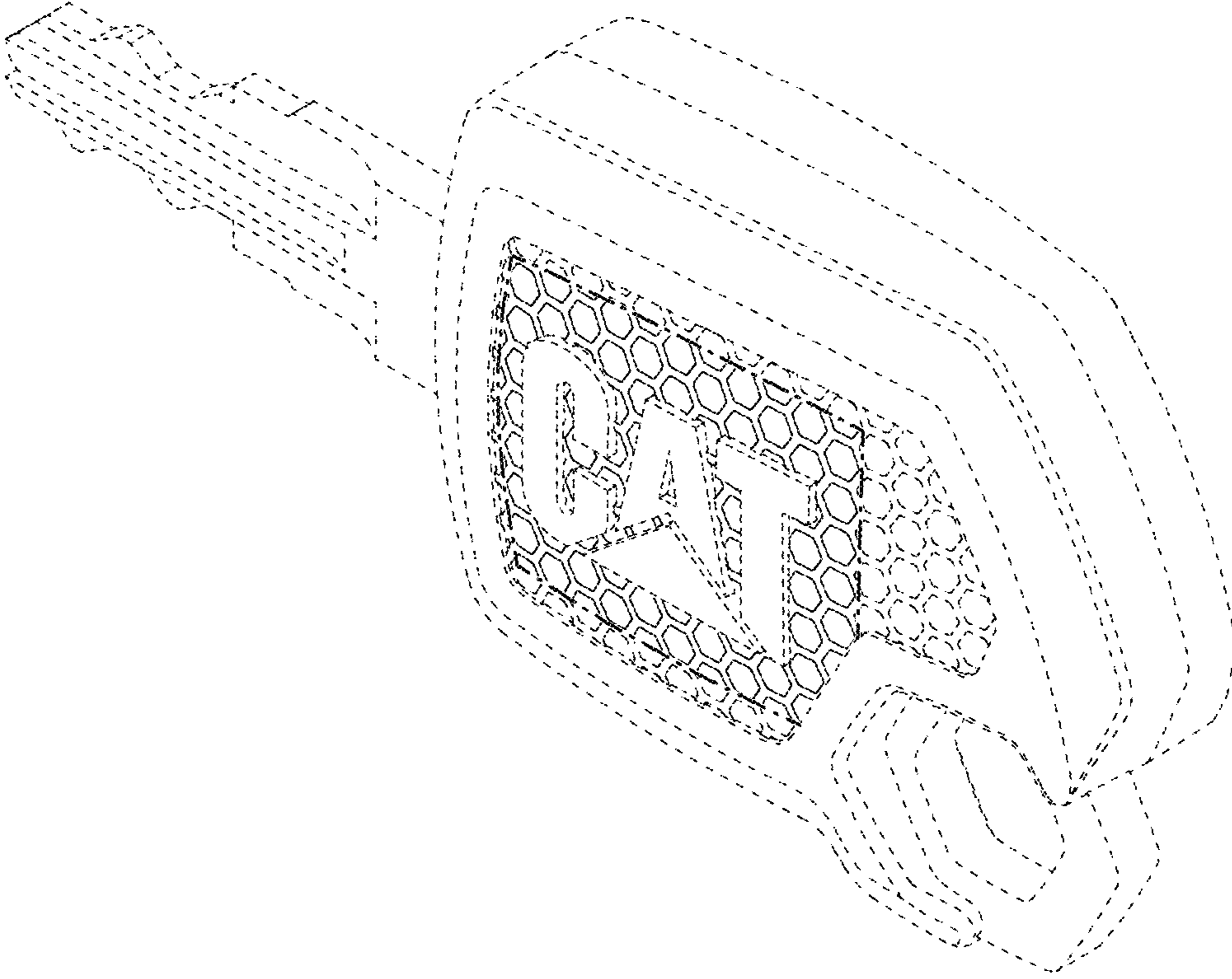


FIG. 1

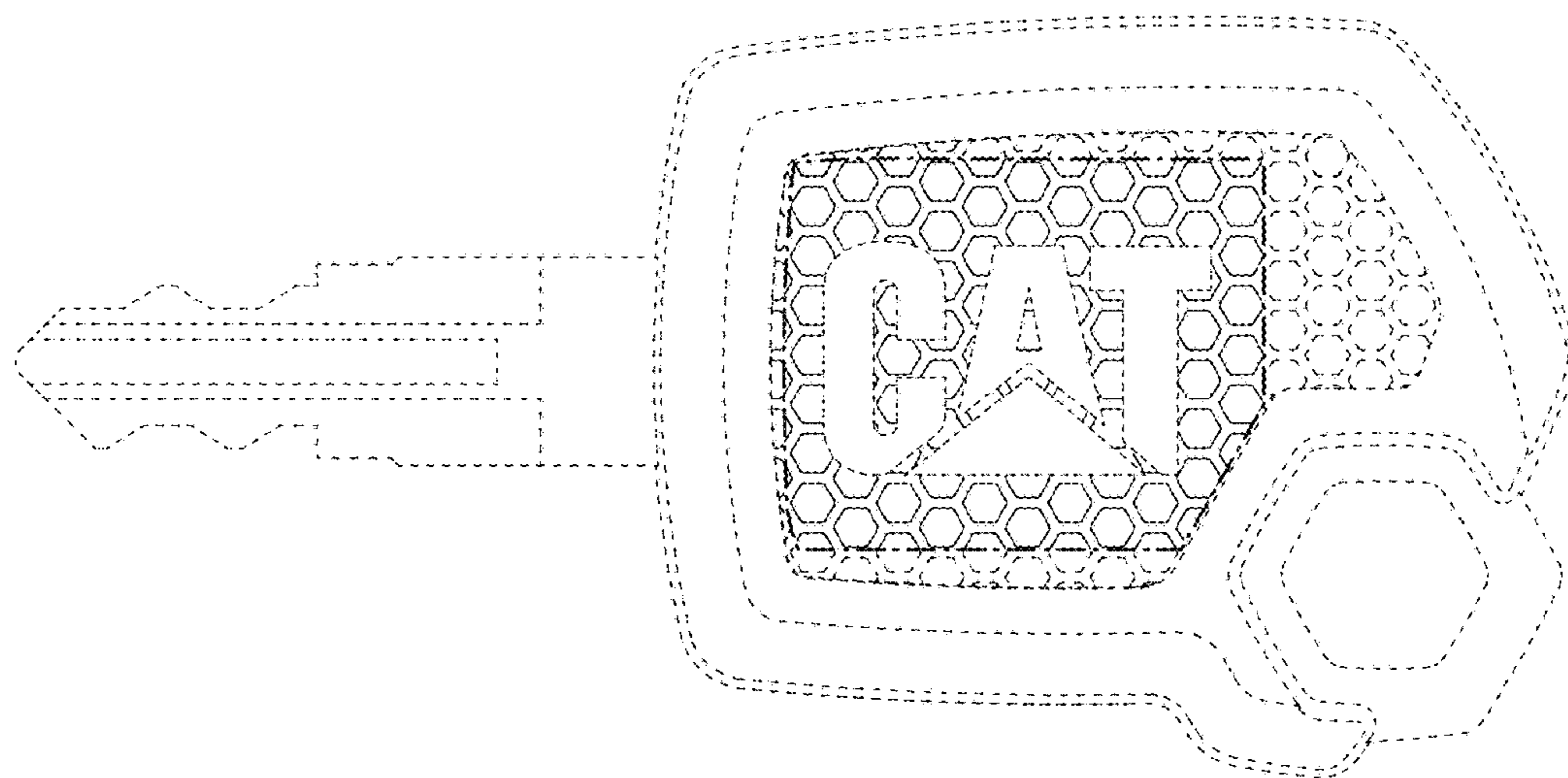


FIG. 2

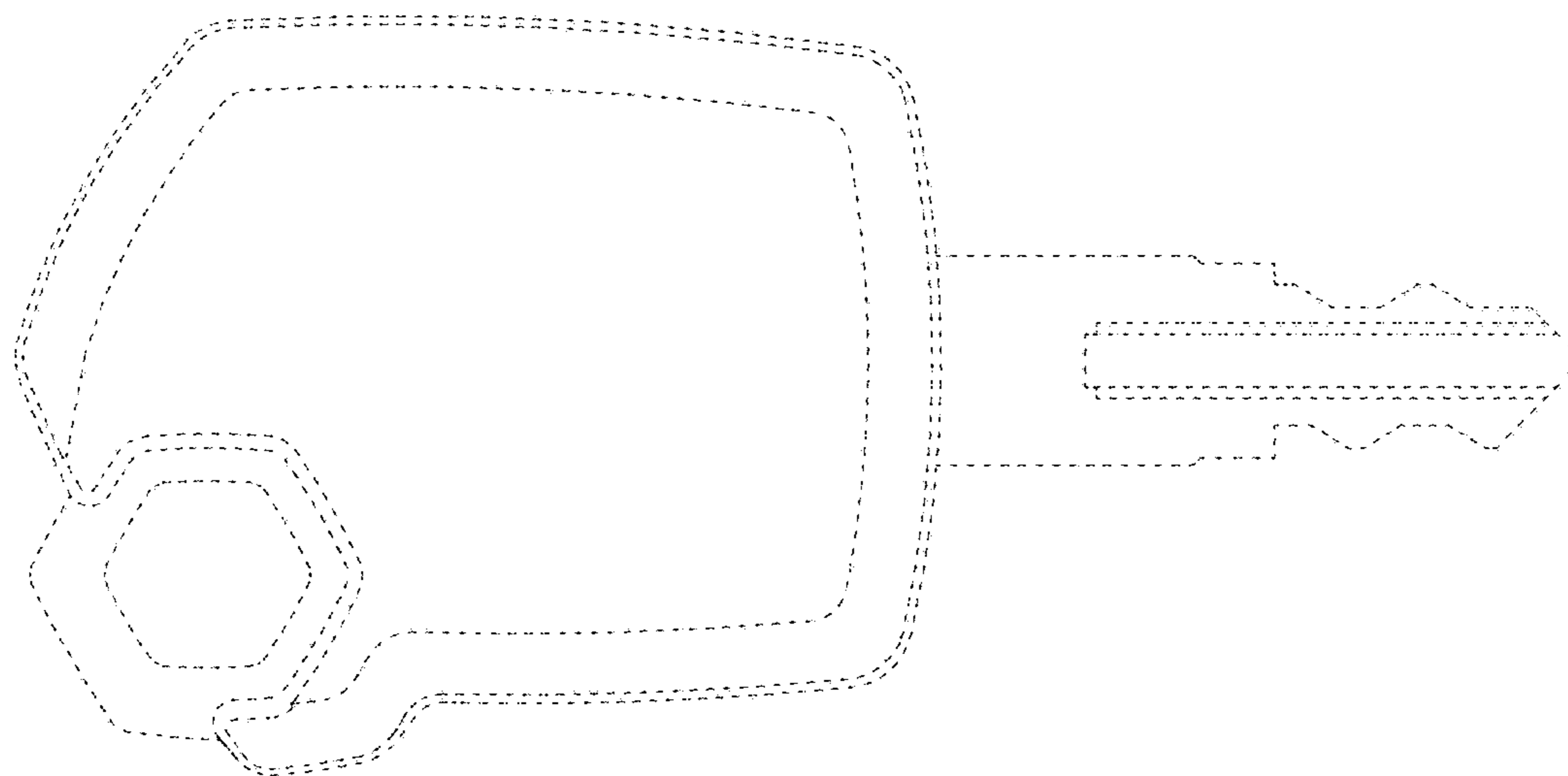


FIG. 3

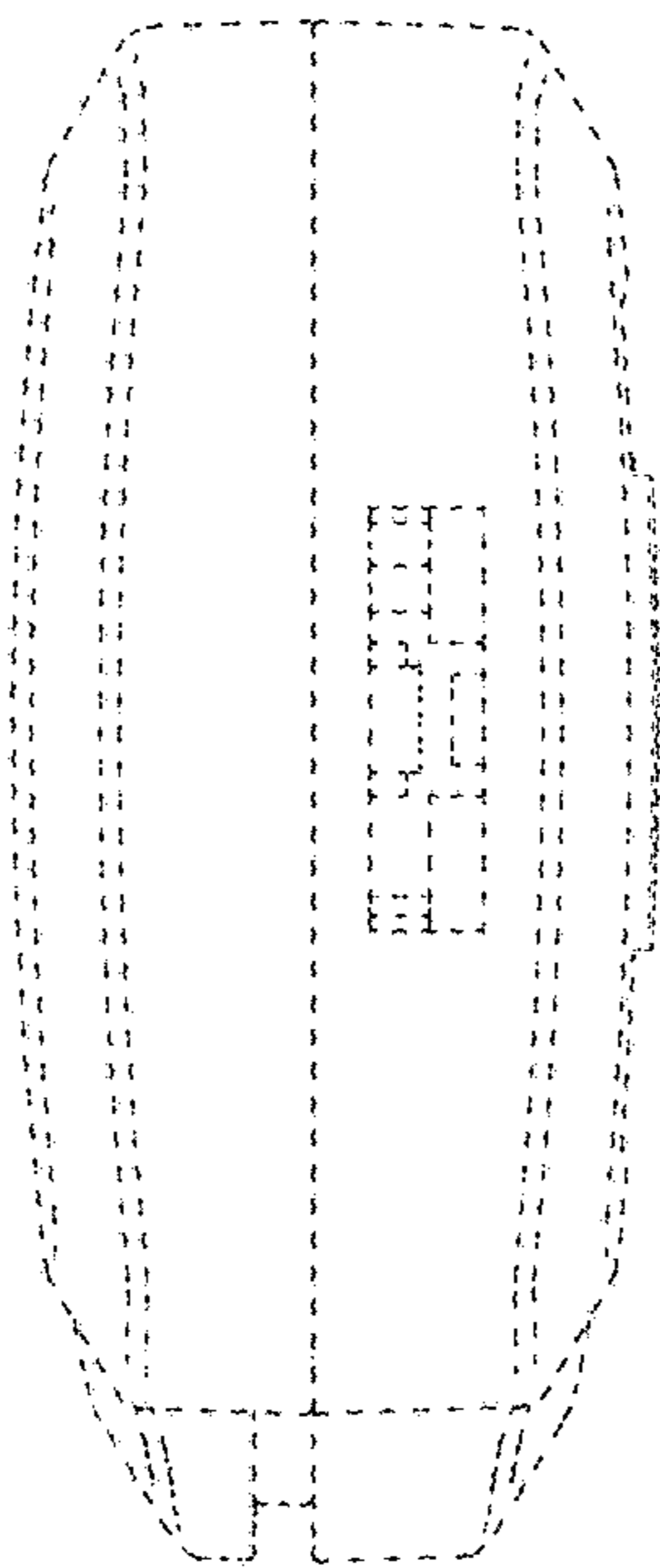


FIG. 4

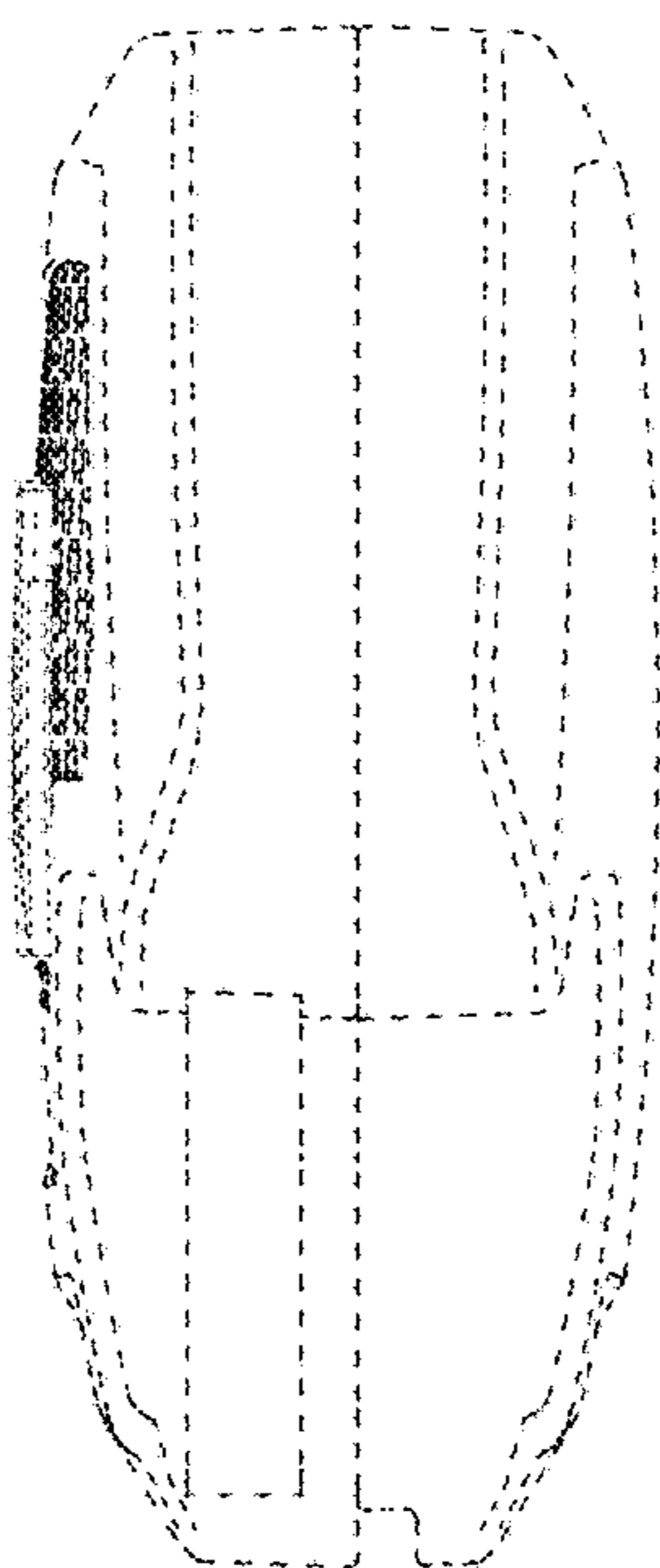


FIG. 5

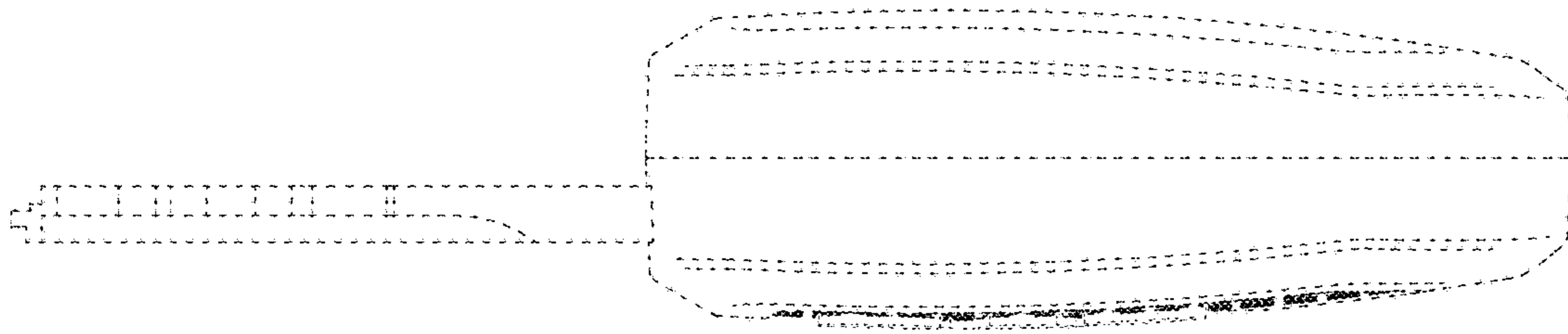


FIG. 6

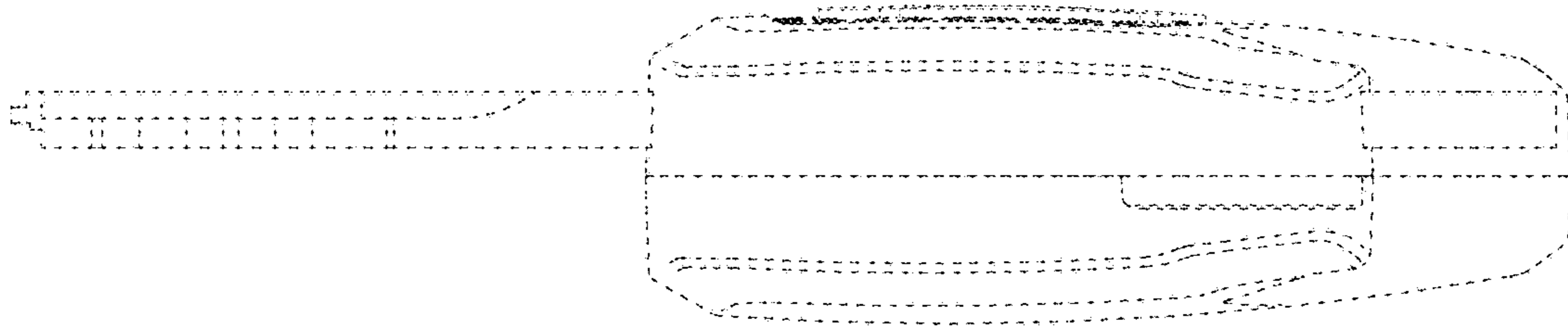


FIG. 7