



US00D808246S

(12) **United States Design Patent**  
**Blankenship**

(10) **Patent No.:** **US D808,246 S**

(45) **Date of Patent:** **\*\* Jan. 23, 2018**

(54) **LOCK COVER**

7,124,606 B2 \* 10/2006 Turek ..... E05B 67/22  
70/14

(71) Applicant: **3CA Enterprises, Inc.**, Bartlett, IL  
(US)

7,380,425 B2 \* 6/2008 Elliott ..... E05B 67/02  
70/38 R

(72) Inventor: **Daniel Blankenship**, Bartlett, IL (US)

D624,390 S \* 9/2010 Wasserman ..... D8/343  
8,800,329 B1 \* 8/2014 Dolev ..... E05B 67/36  
70/290

(73) Assignee: **3CA Enterprises, Inc.**, Bartlett, IL  
(US)

(Continued)

(\*\*) Term: **15 Years**

*Primary Examiner* — Prabhakar G Deshmukh

(74) *Attorney, Agent, or Firm* — Leydig, Voit & Mayer,  
Ltd.

(21) Appl. No.: **29/593,955**

(57) **CLAIM**

(22) Filed: **Feb. 14, 2017**

The ornamental design for a lock cover, as shown and  
described.

(51) **LOC (11) Cl.** ..... **08-07**

(52) **U.S. Cl.**  
USPC ..... **D8/346; D8/343**

**DESCRIPTION**

(58) **Field of Classification Search**  
USPC ..... D8/330, 331, 343, 346, 398, 394, 449;  
70/57, 57.1, 51–56, 416, 485, 486, 445,  
70/419, 431, 422, 158, DIG. 43, DIG. 56,  
70/160, 164, 167  
CPC ..... E05B 67/38; E05B 17/002; E05B 67/04  
See application file for complete search history.

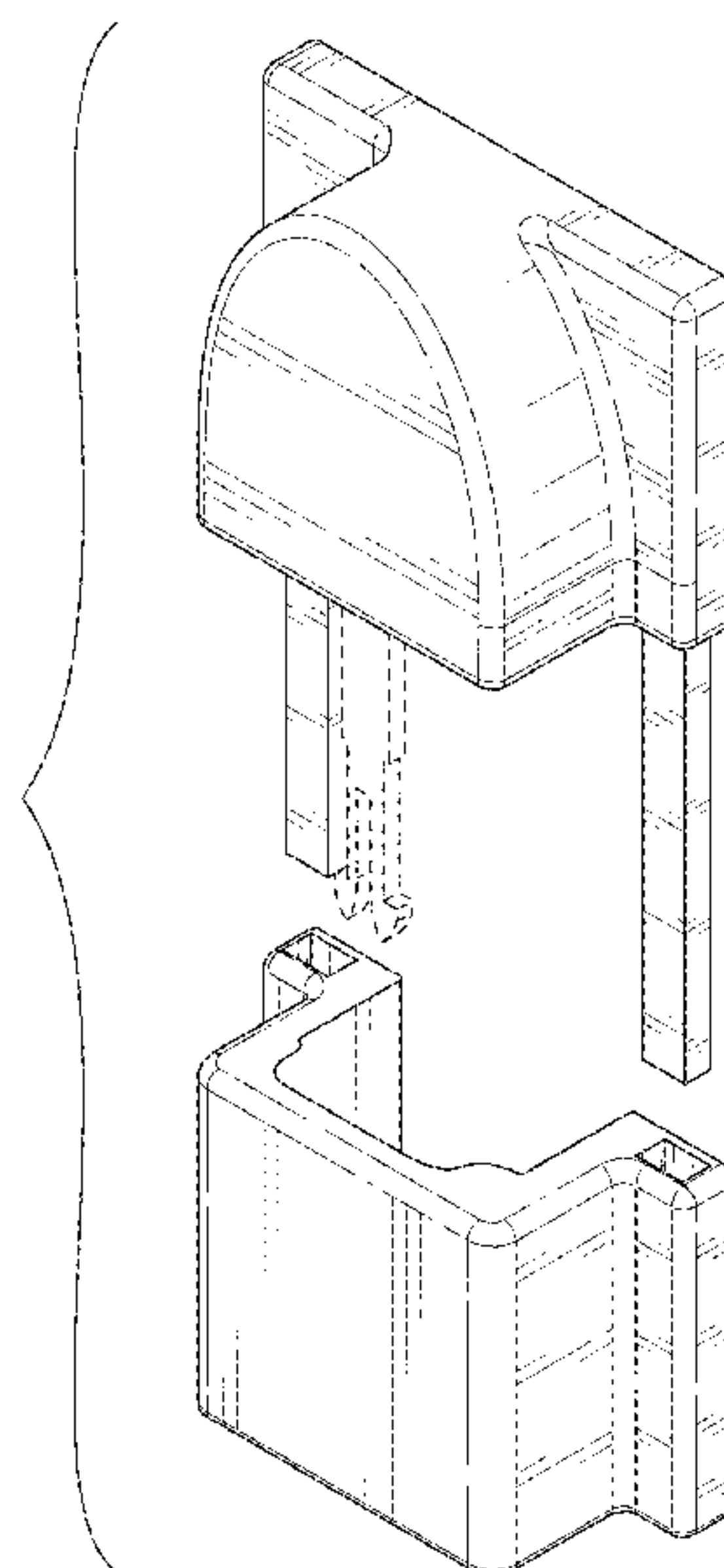
FIG. 1 is a perspective view taken from the front, top, and  
right side of a lock cover in accordance with my new design.  
FIG. 2 is a rear elevation view of the lock cover of FIG. 1.  
FIG. 3 is a front elevation view of the lock cover of FIG. 1.  
FIG. 4 is a left side elevation view of the lock cover of FIG.  
2.  
FIG. 5 is a right side elevation view of the lock cover of FIG.  
1.  
FIG. 6 is a top plan view of the lock cover, showing the top  
surface of the top unit and the inside top of the bottom unit.  
FIG. 7 is a bottom plan view of the lock cover, showing the  
bottom surface of the bottom unit and the bottom surface of  
the top unit; and,  
FIG. 8 is a perspective view taken from the rear and bottom,  
and right side of the lock cover of FIG. 1.  
The broken lines shown depict portions of the lock cover  
that form no part of the claimed design. The top and bottom  
units are separated from their vertical alignment to show the  
inside portions of the units for clarity.

(56) **References Cited**

U.S. PATENT DOCUMENTS

- 4,576,022 A \* 3/1986 Gamble ..... E05B 67/38  
70/417
- 4,578,970 A \* 4/1986 Youngblood ..... E05B 13/001  
70/209
- 4,686,840 A \* 8/1987 McCarroll ..... E05B 17/14  
70/454
- 4,799,370 A \* 1/1989 Cooper ..... G11B 23/023  
70/159
- D402,878 S \* 12/1998 Liu ..... D8/346
- D439,826 S \* 4/2001 Oddy ..... D8/336
- 6,578,393 B2 \* 6/2003 Yarborough ..... E05B 67/38  
70/52

**1 Claim, 6 Drawing Sheets**



(56)

**References Cited**

U.S. PATENT DOCUMENTS

D719,012 S \* 12/2014 Alexander ..... D8/346  
D795,675 S \* 8/2017 Howse ..... D8/343

\* cited by examiner

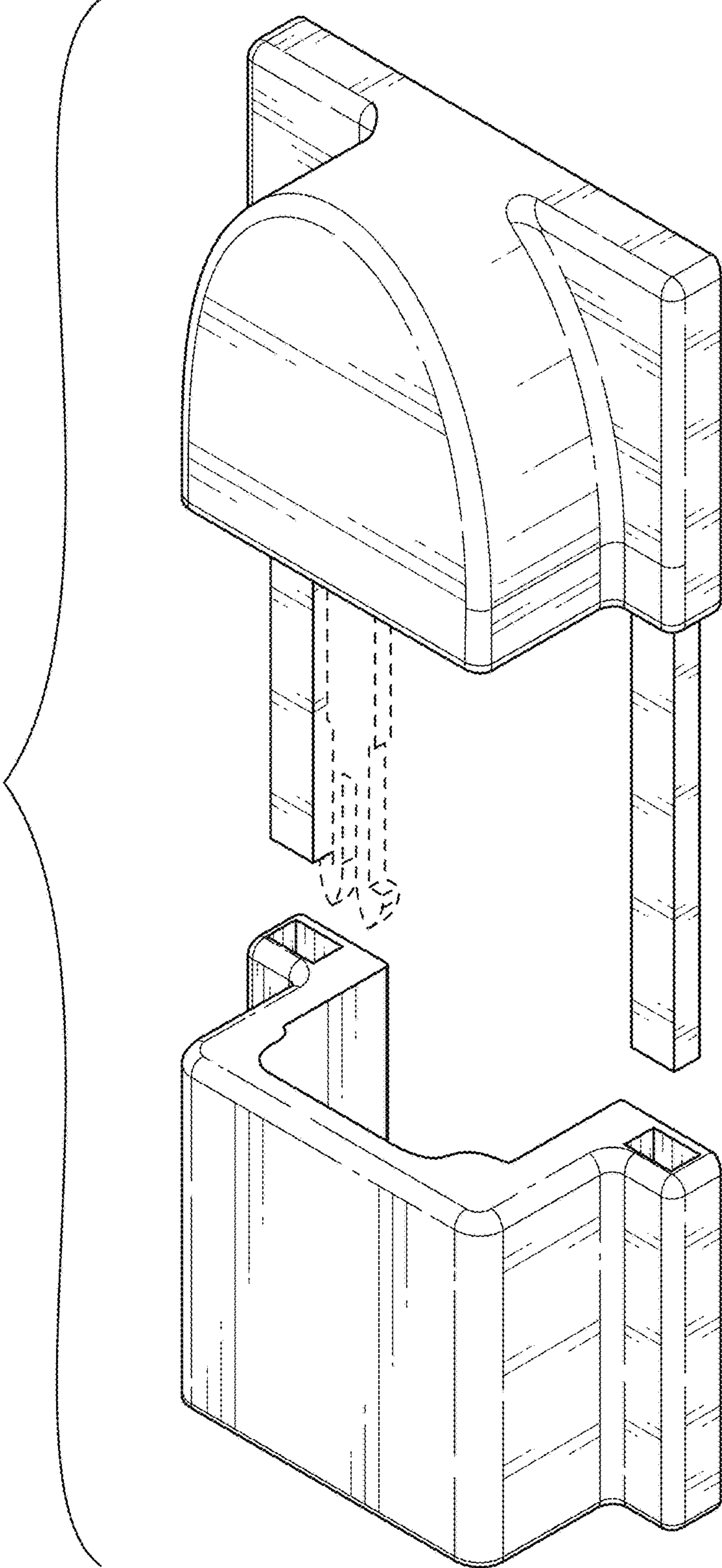


FIG. 1

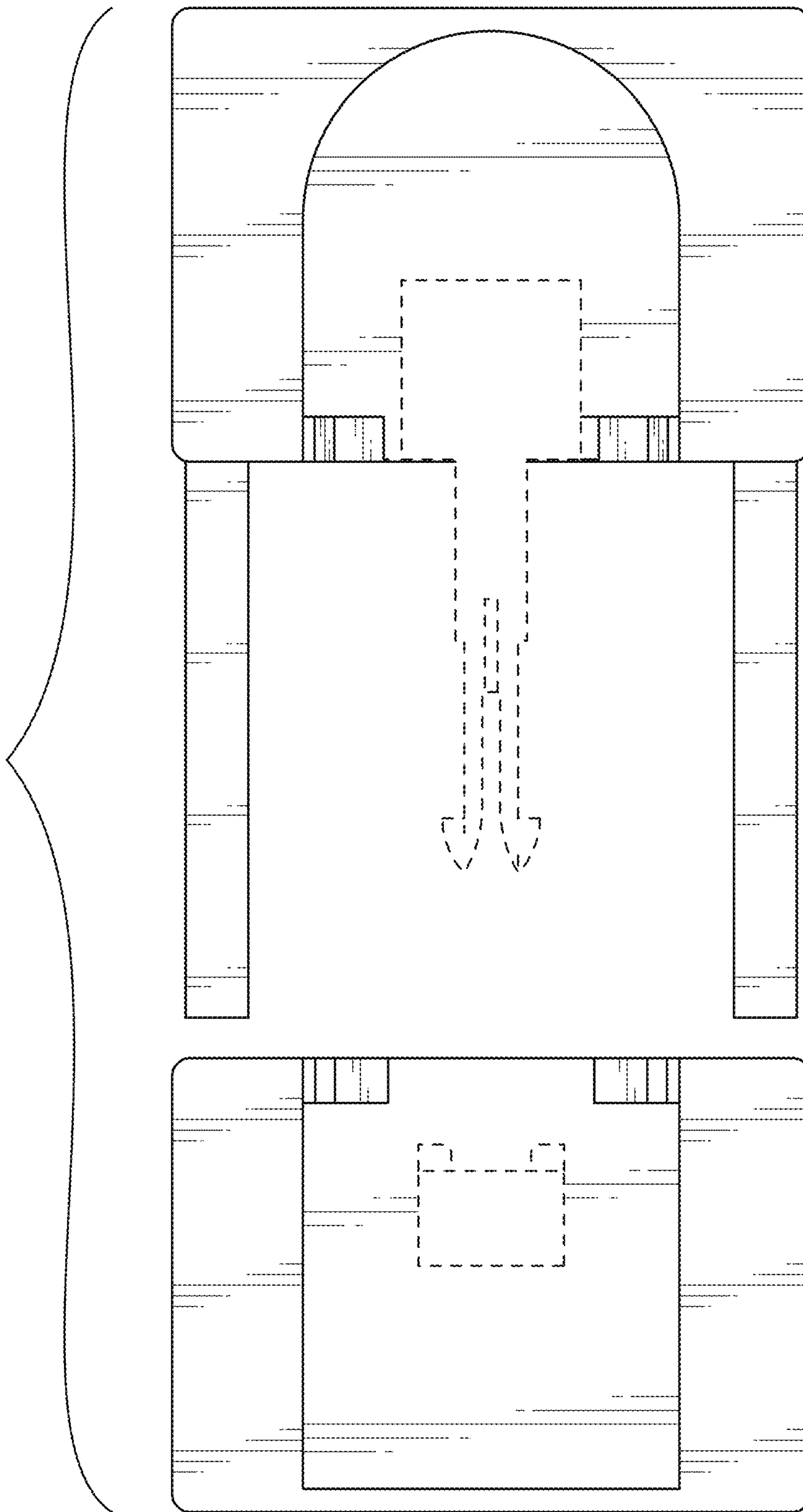


FIG. 2

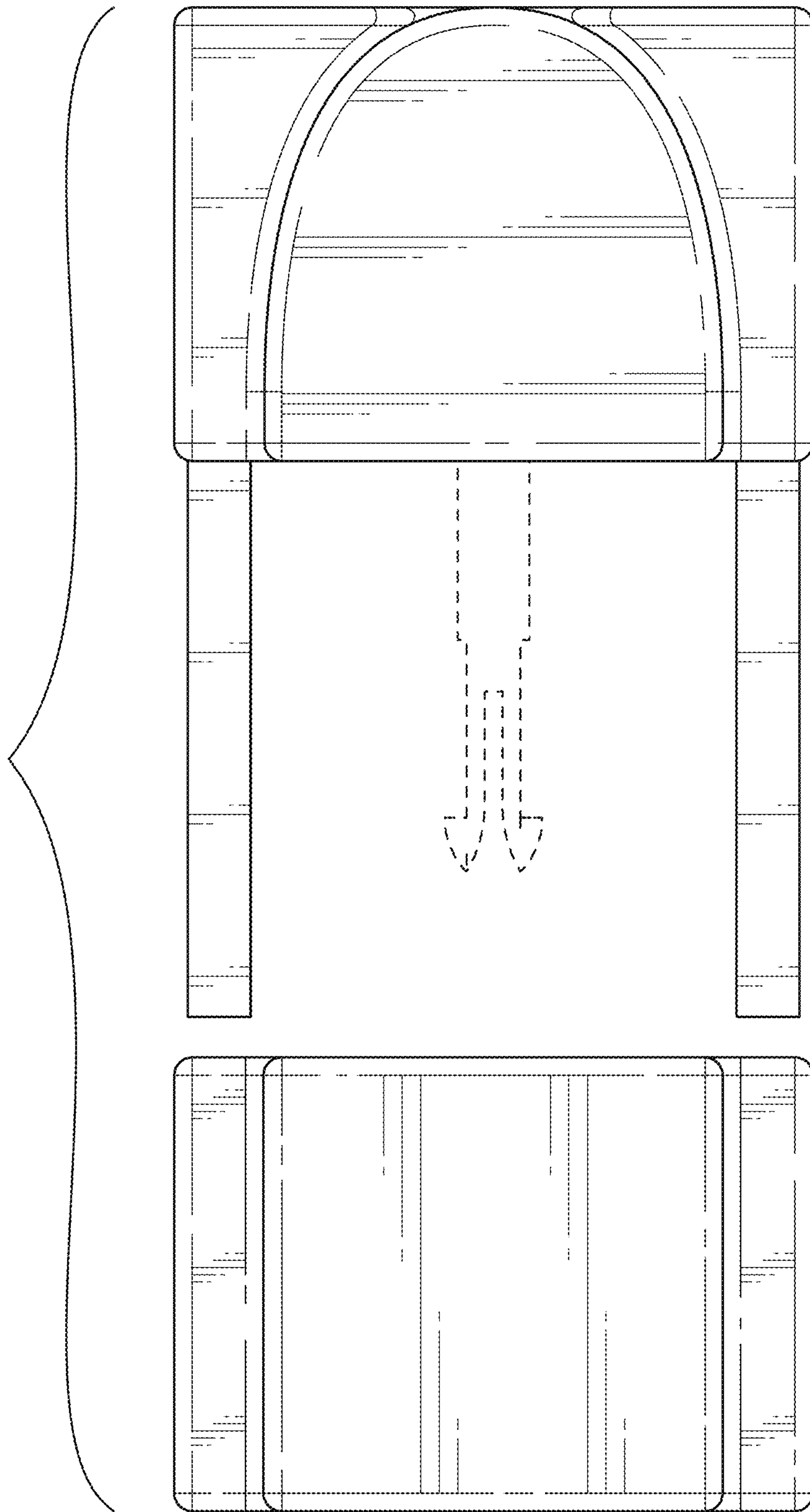


FIG. 3



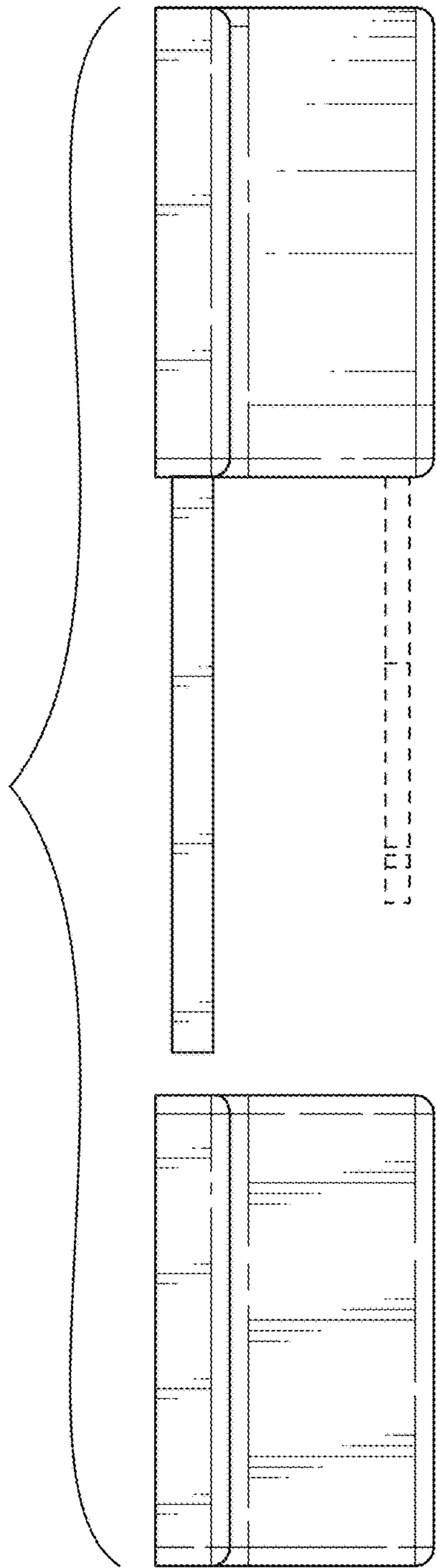


FIG. 4

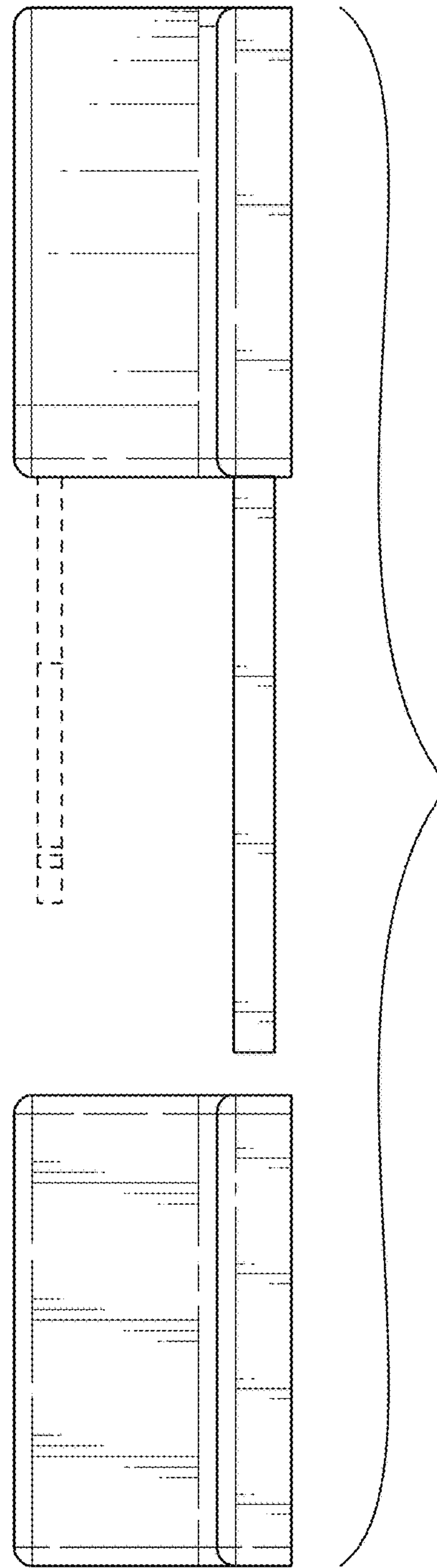


FIG. 5

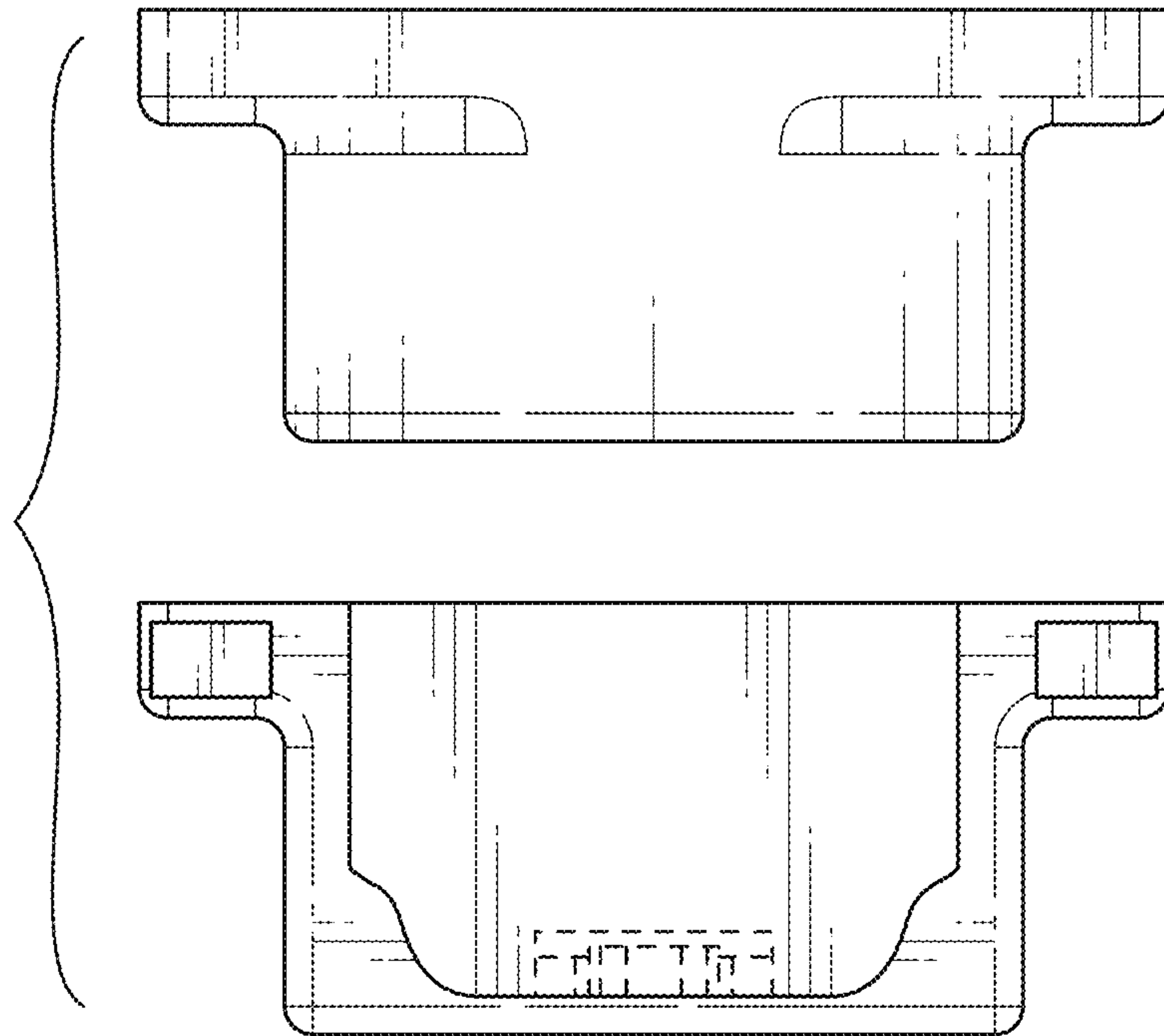


FIG. 6

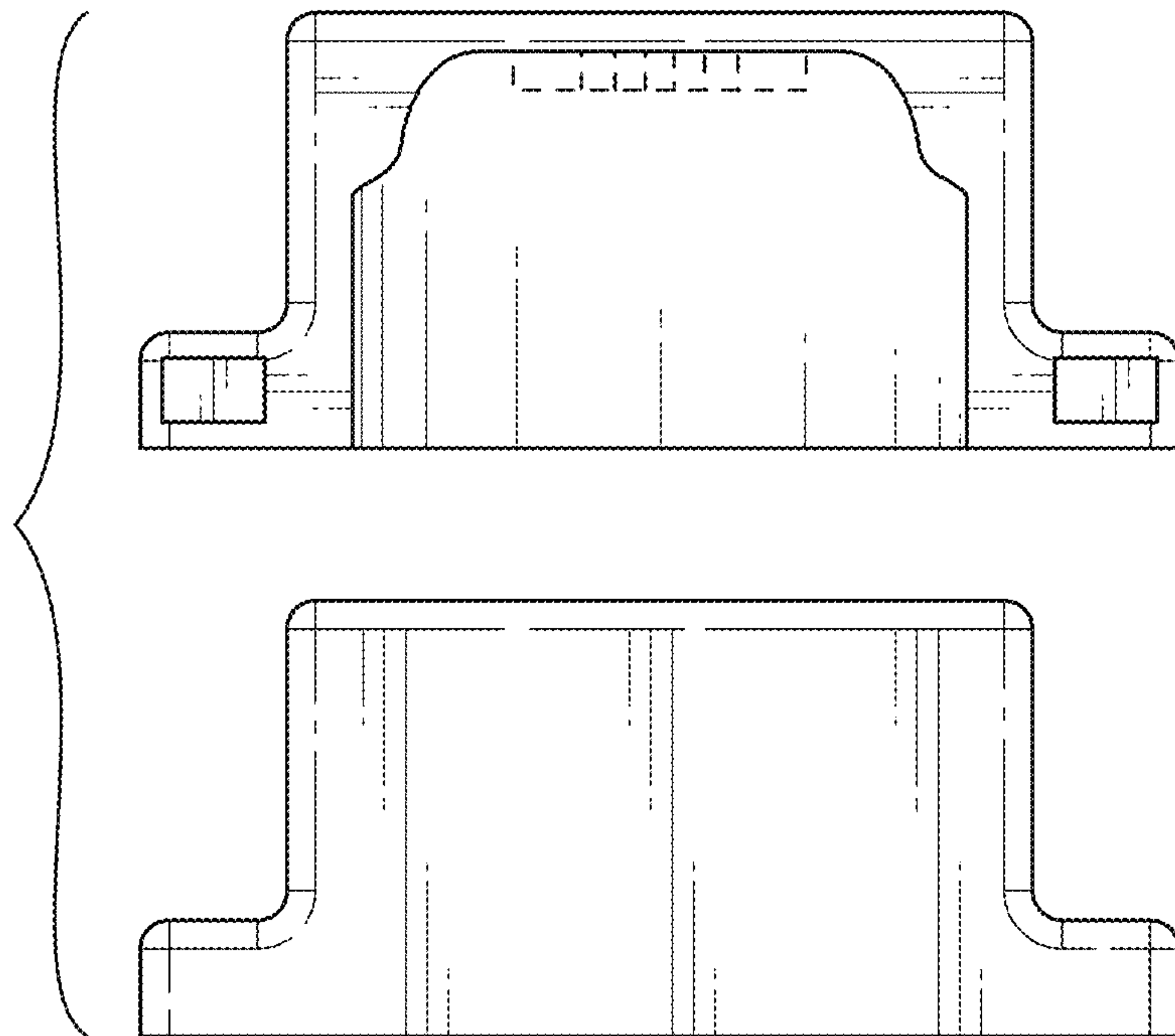


FIG. 7

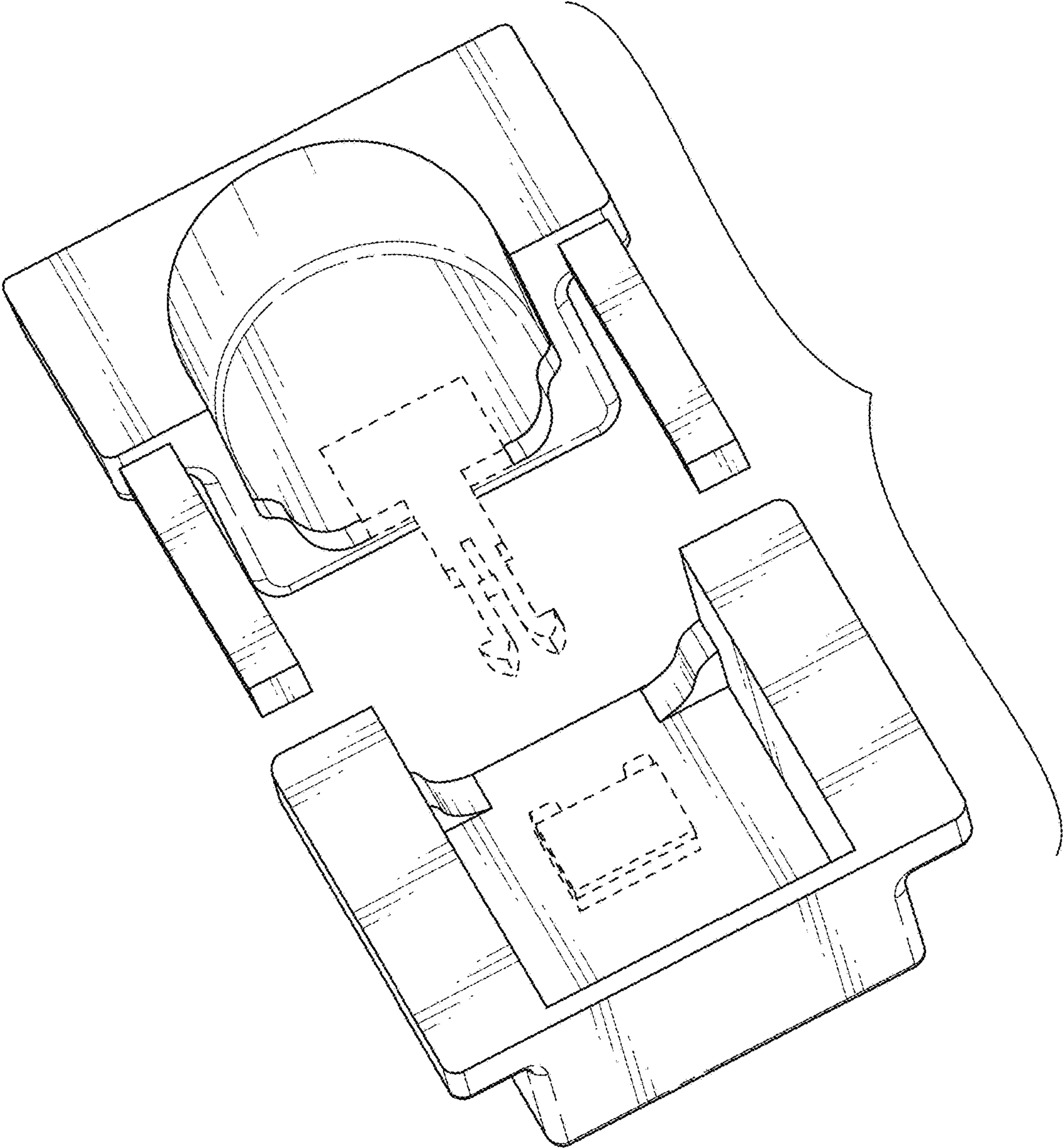


FIG. 8