



US00D808245S

(12) **United States Design Patent**
Blankenship

(10) **Patent No.:** **US D808,245 S**

(45) **Date of Patent:** **** Jan. 23, 2018**

(54) **LOCK COVER**

(71) Applicant: **3CA Enterprises, Inc.**, Bartlett, IL
(US)

(72) Inventor: **Daniel Blankenship**, Bartlett, IL (US)

(73) Assignee: **3CA Enterprises, Inc.**, Bartlett, IL
(US)

(**) Term: **15 Years**

(21) Appl. No.: **29/593,954**

(22) Filed: **Feb. 14, 2017**

(51) **LOC (11) Cl.** **08-07**

(52) **U.S. Cl.**
USPC **D8/346; D8/343**

(58) **Field of Classification Search**
USPC D8/330, 331, 343, 346, 398, 394, 449;
70/57, 57.1, 51-56, 416, 485, 486, 445,
70/419, 431, 422, 158, DIG. 43, DIG. 56,
70/160, 164, 167
CPC E05B 67/38; E05B 17/002; E05B 67/04
See application file for complete search history.

(56) **References Cited**

U.S. PATENT DOCUMENTS

- 4,576,022 A * 3/1986 Gamble E05B 67/38
70/417
- 4,578,970 A * 4/1986 Youngblood E05B 13/001
70/209
- 4,686,840 A * 8/1987 McCarroll E05B 17/14
70/454
- 4,799,370 A * 1/1989 Cooper G11B 23/023
70/159
- D402,878 S * 12/1998 Liu D8/346
- D439,826 S * 4/2001 Oddy D8/336
- 6,578,393 B2 * 6/2003 Yarborough E05B 67/38
70/52

- 7,124,606 B2 * 10/2006 Turek E05B 67/22
70/14
- 7,380,425 B2 * 6/2008 Elliott E05B 67/02
70/38 R
- D624,390 S * 9/2010 Wasserman D8/343
- 8,800,329 B1 * 8/2014 Dolev E05B 67/36
70/290

(Continued)

Primary Examiner — Prabhakar G Deshmukh
(74) *Attorney, Agent, or Firm* — Leydig, Voit & Mayer,
Ltd.

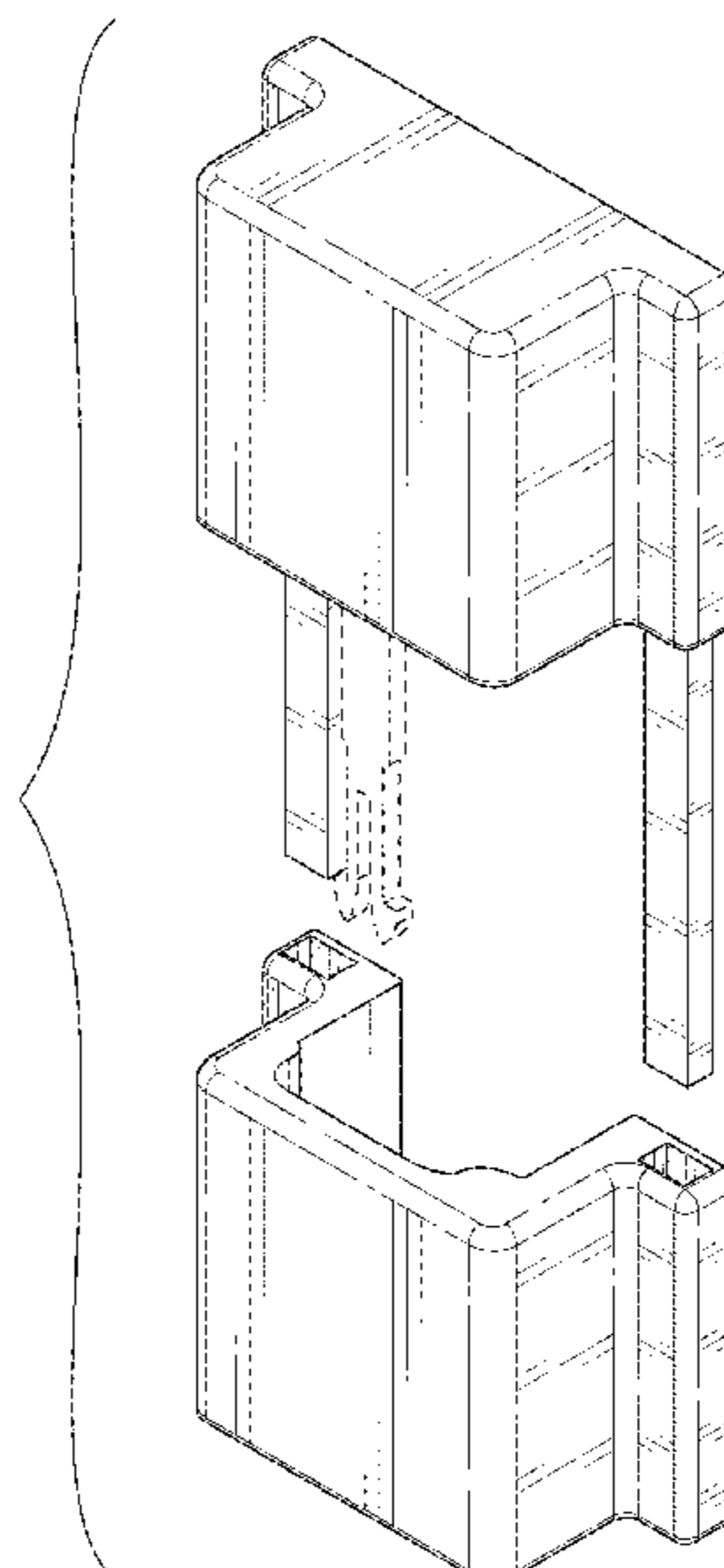
(57) **CLAIM**

The ornamental design for a lock cover, as shown and described.

DESCRIPTION

FIG. 1 is a perspective view taken from the front, top, and right side of a lock cover in accordance with my new design. FIG. 2 is a rear elevation view of the lock cover of FIG. 1. FIG. 3 is a front elevation view of the lock cover of FIG. 1. FIG. 4 is a left side elevation view of the lock cover of FIG. 1. FIG. 5 is a right side elevation view of the lock cover of FIG. 1. FIG. 6 is a top plan view of the lock cover, showing the top surface of the top unit and the inside top of the bottom unit. FIG. 7 is a bottom plan view of the lock cover, showing the bottom surface of the bottom unit and the bottom surface of the top unit; and, FIG. 8 is a perspective view taken from the rear and bottom, and right side of the lock cover of FIG. 1. The broken lines shown depict portions of the lock cover that form no part of the claimed design. The top and bottom units are separated from their vertical alignment to show the inside portions of the units for clarity.

1 Claim, 6 Drawing Sheets



(56)

References Cited

U.S. PATENT DOCUMENTS

D719,012 S * 12/2014 Alexander D8/346
D795,675 S * 8/2017 Howse D8/343

* cited by examiner

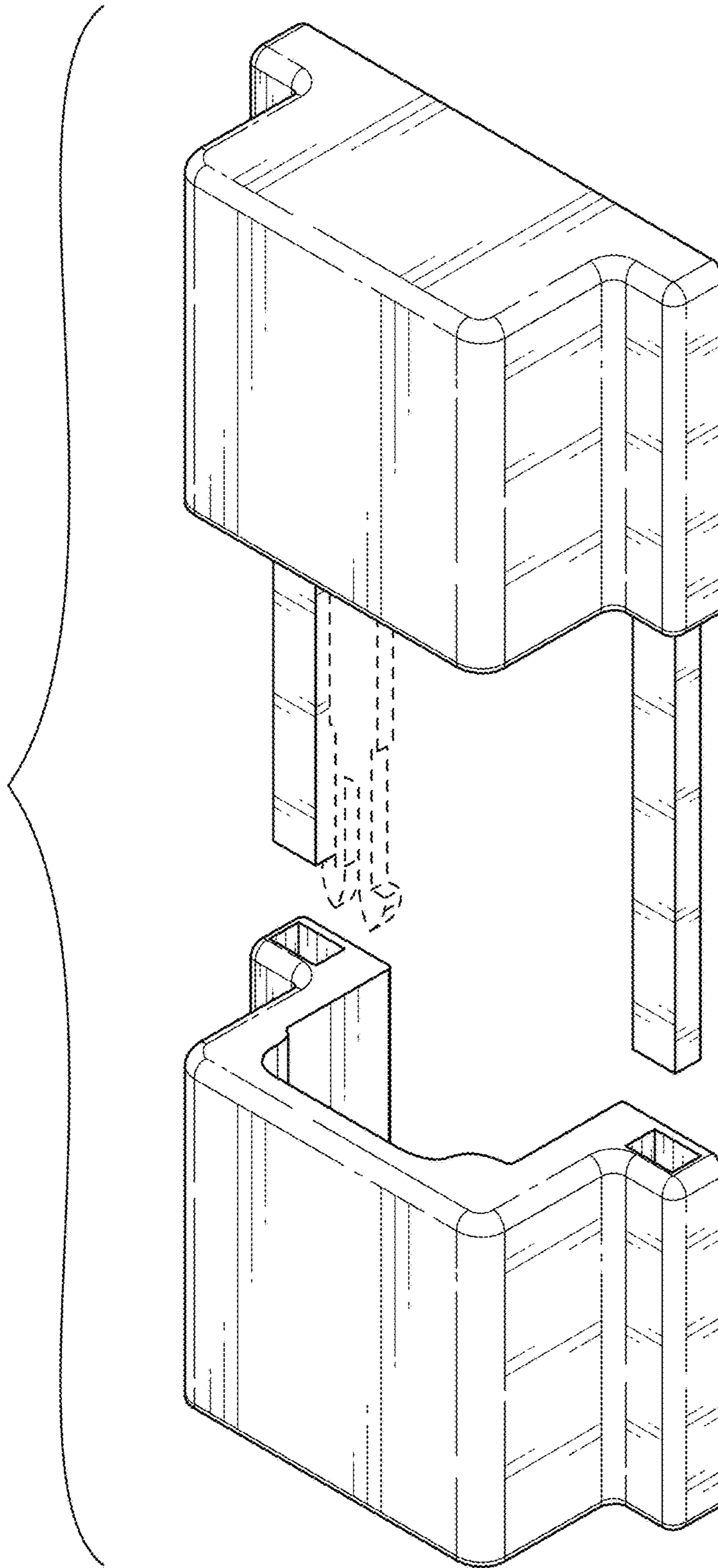


FIG. 1

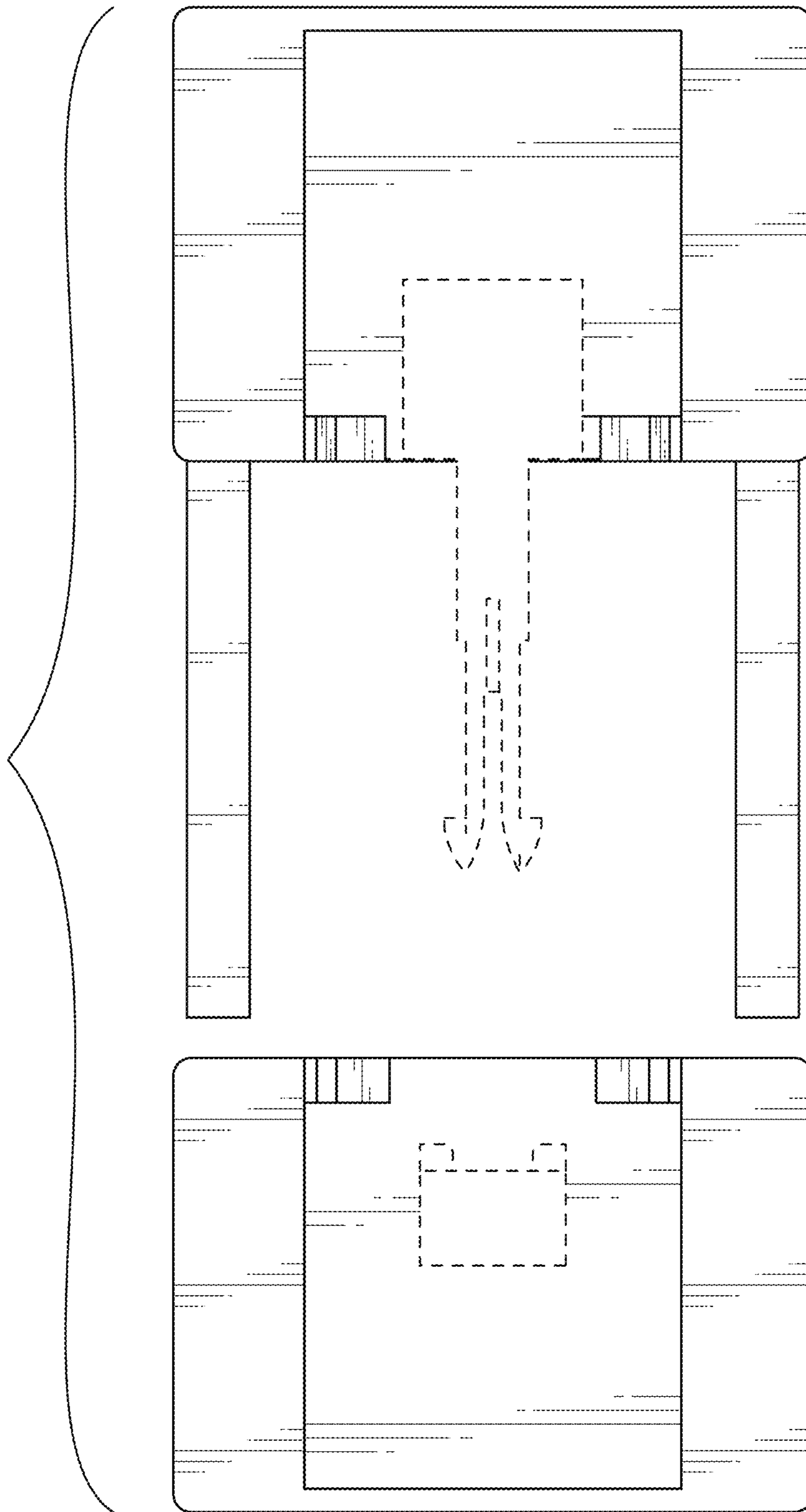


FIG. 2

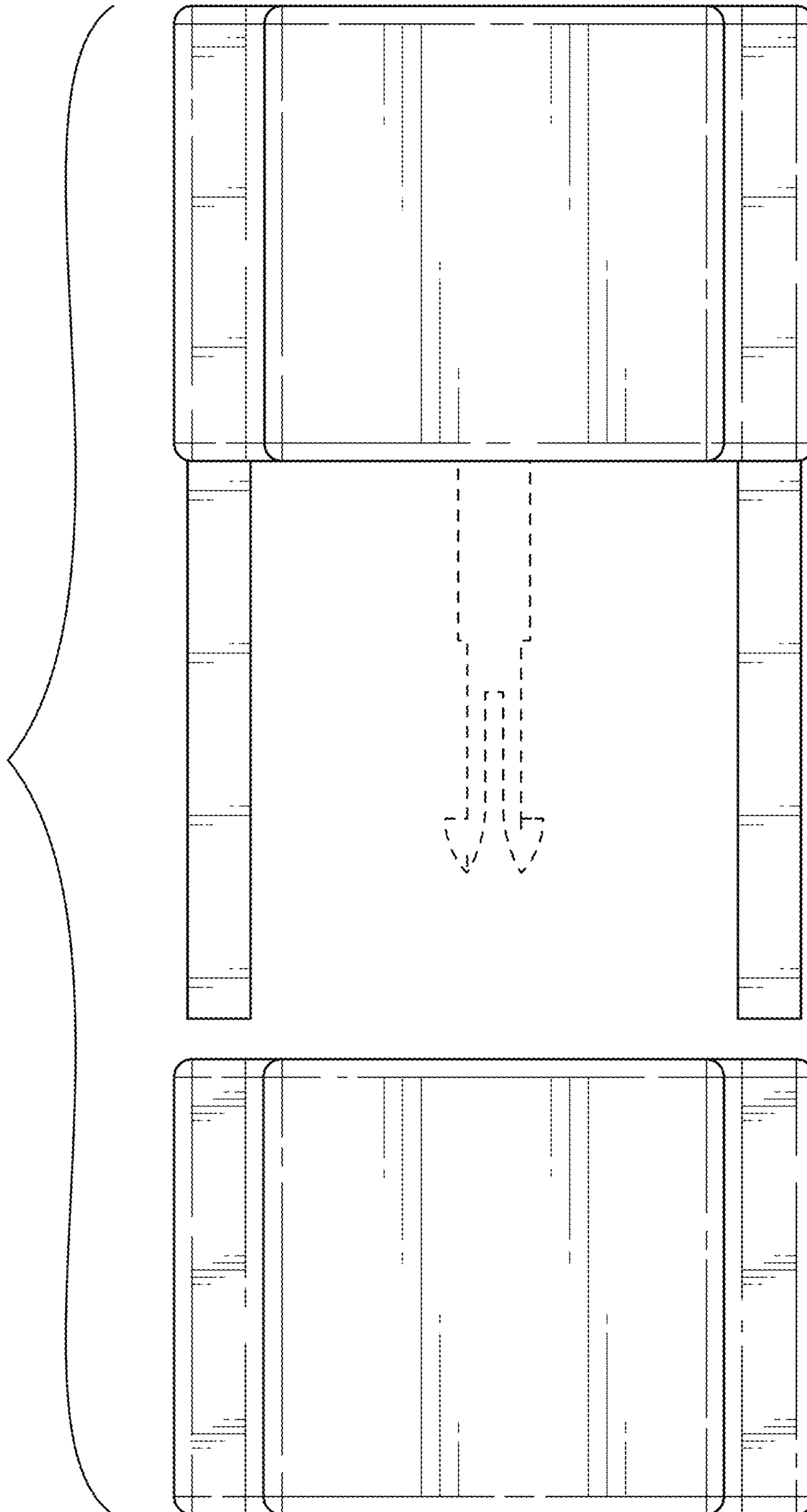


FIG. 3

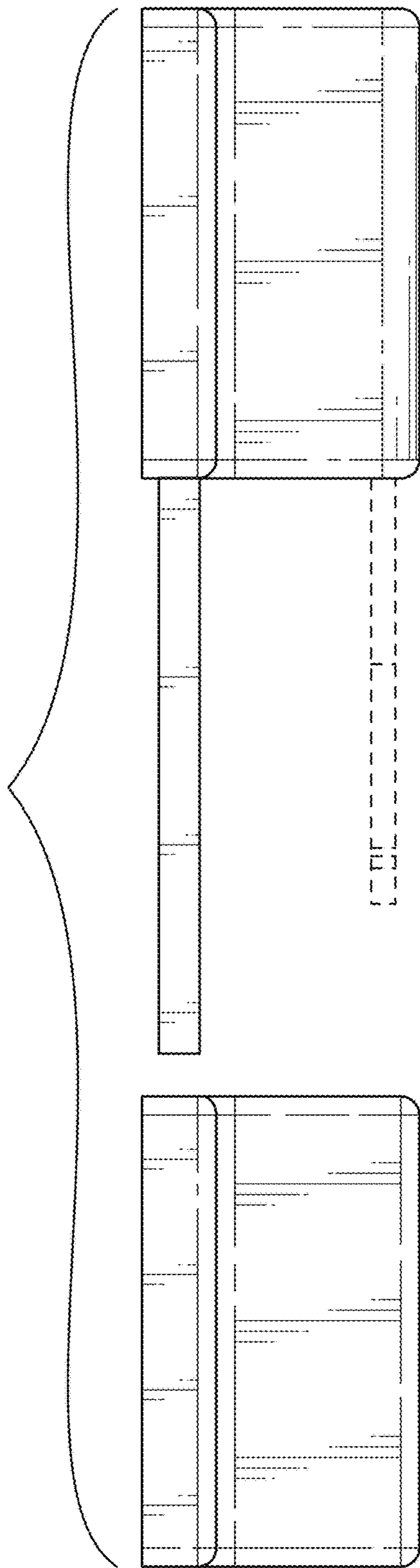


FIG. 4

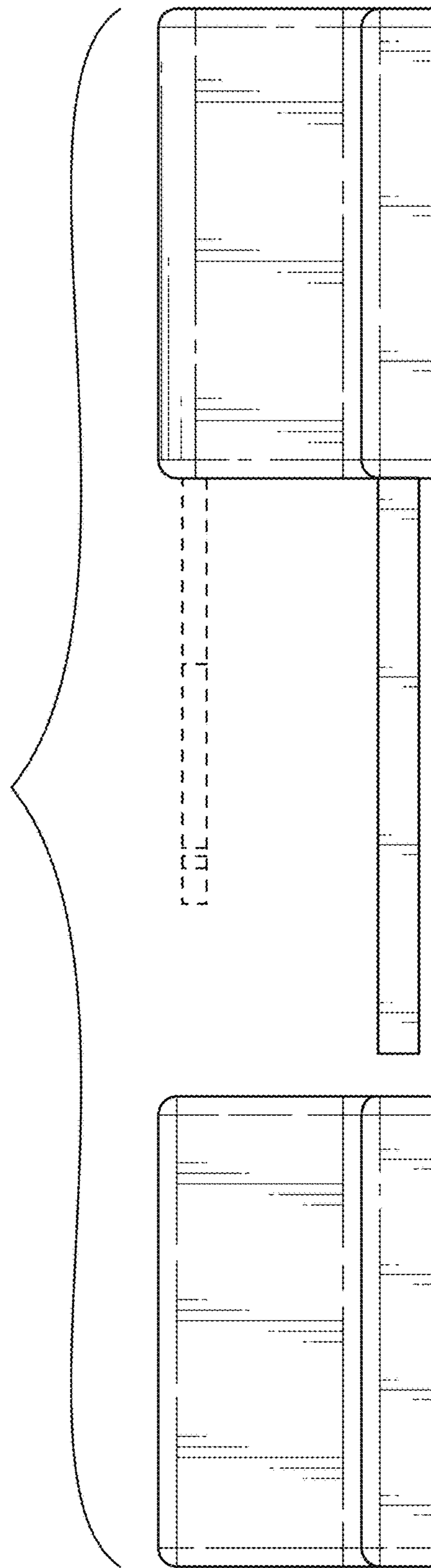


FIG. 5

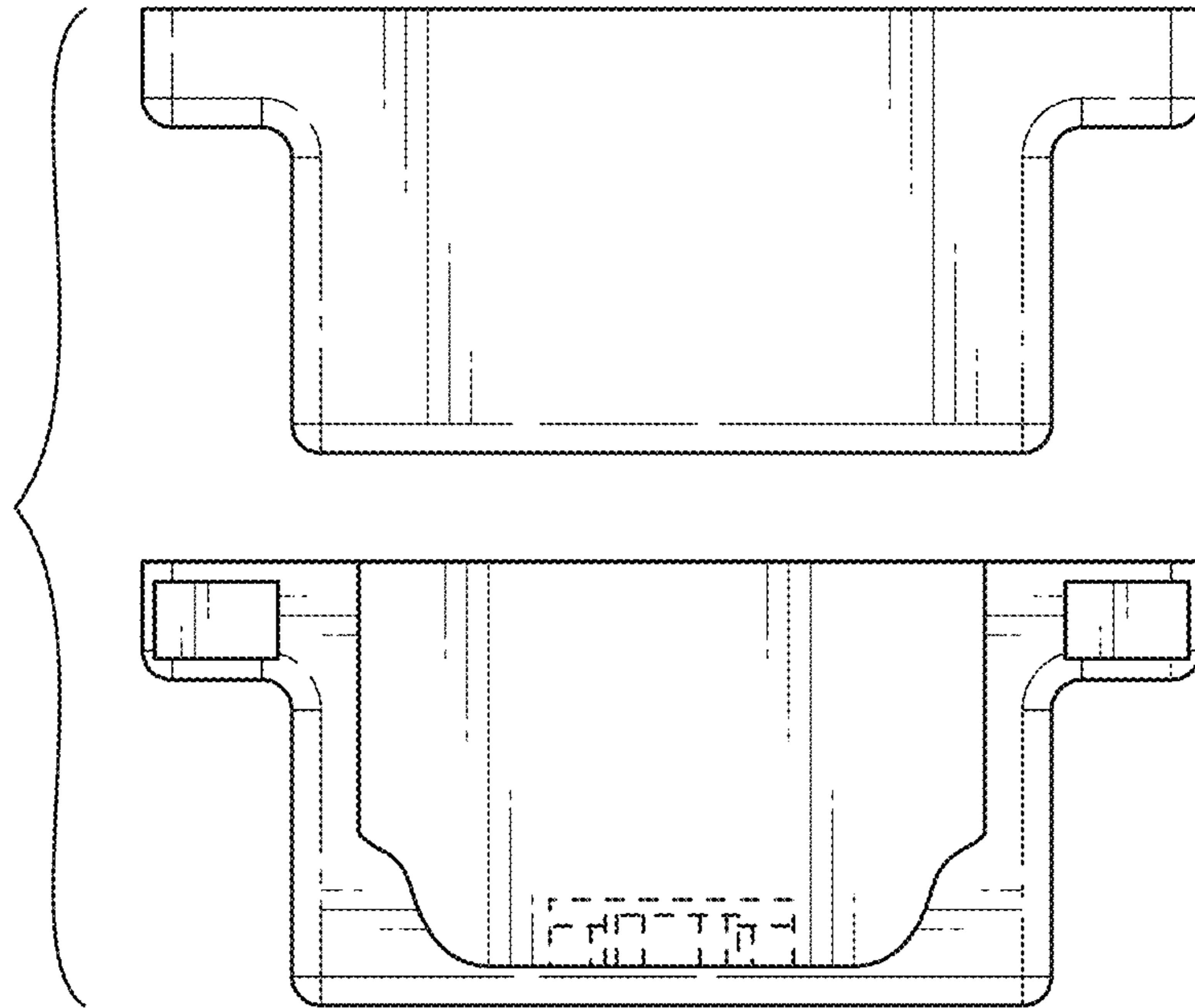


FIG. 6

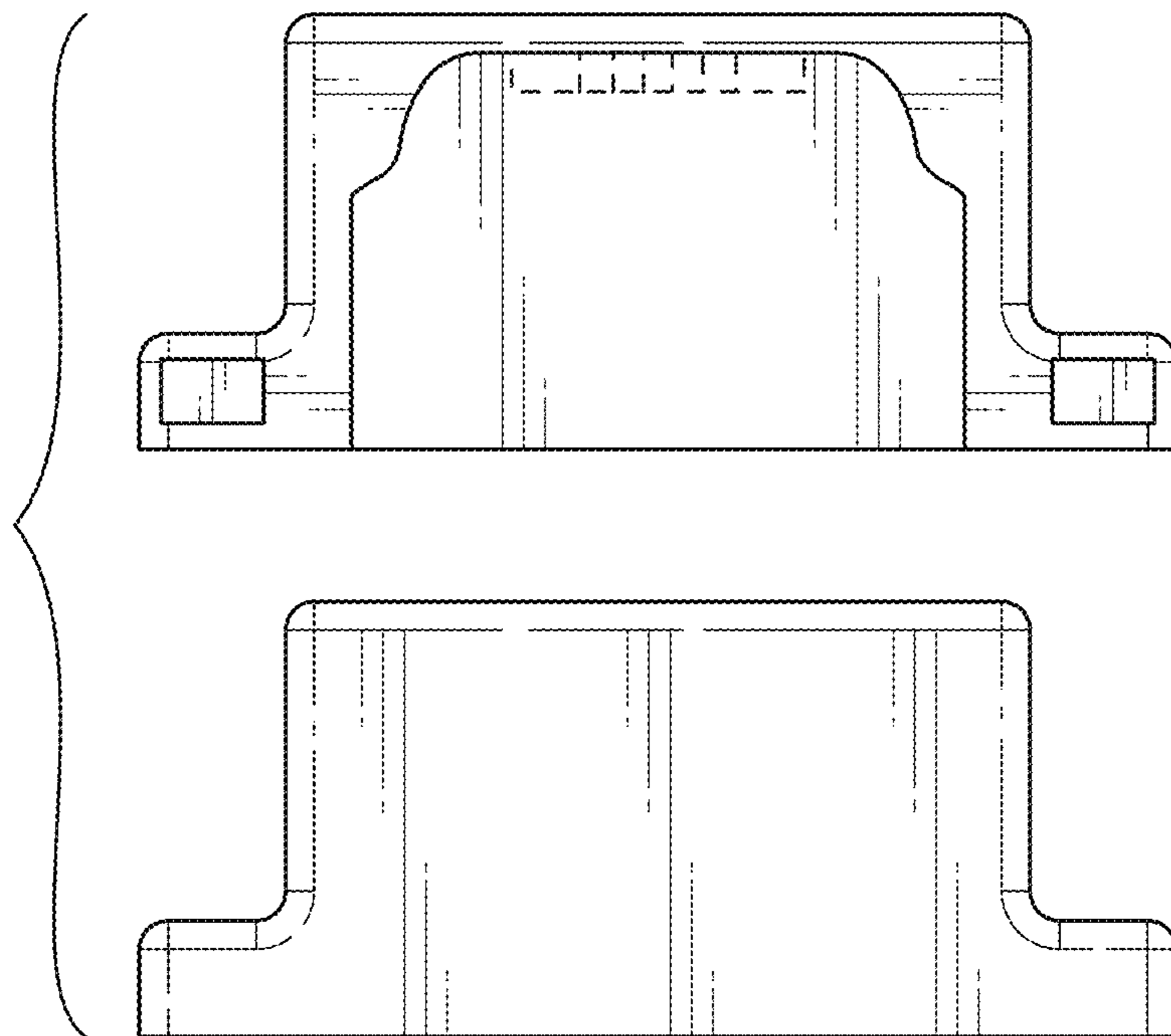


FIG. 7

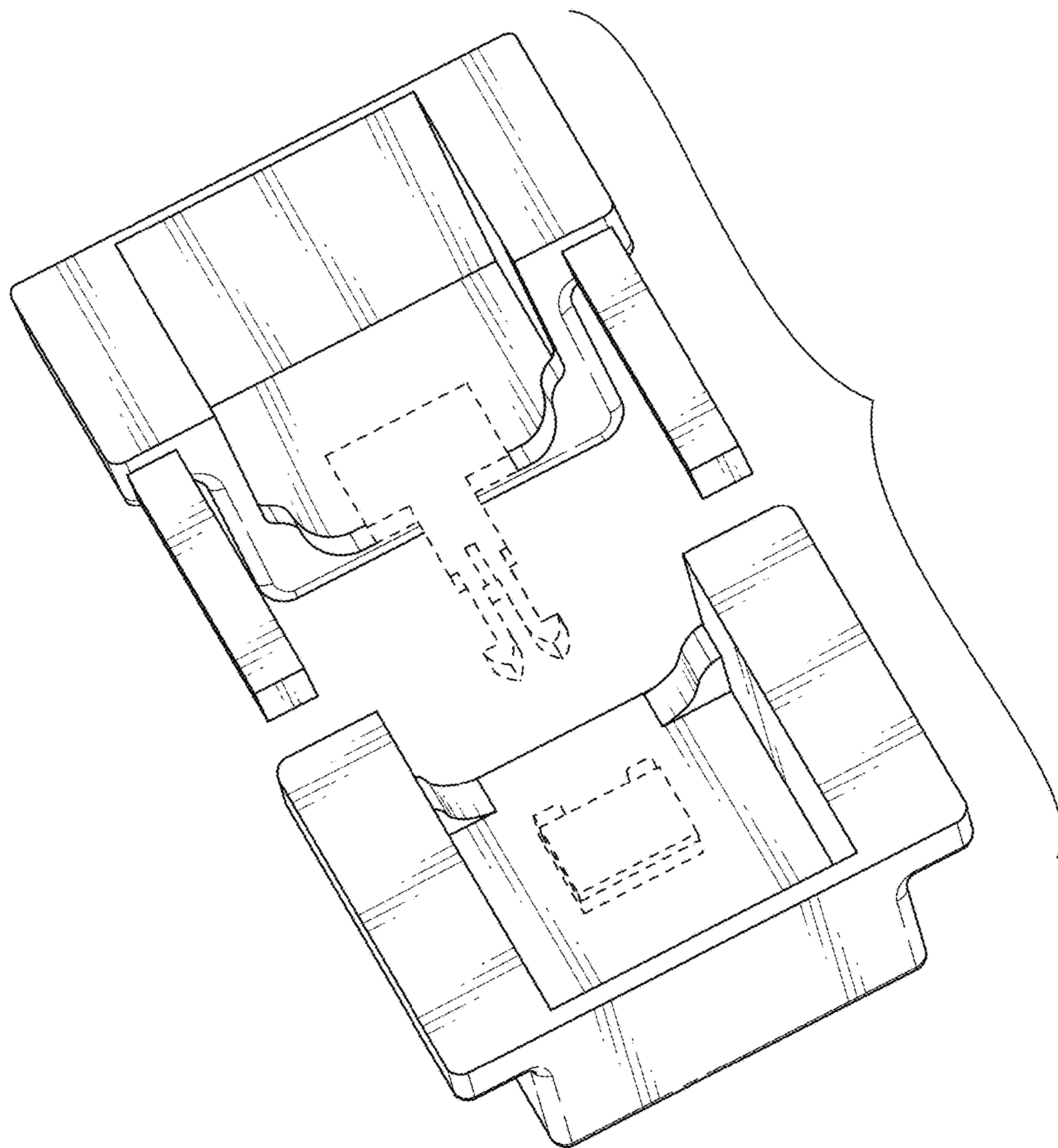


FIG. 8