



US00D808244S

(12) **United States Design Patent**
Fraijo

(10) **Patent No.:** **US D808,244 S**
(45) **Date of Patent:** **** Jan. 23, 2018**

- (54) **GARAGE DOOR HINGE**
- (71) Applicant: **David Fraijo**, Adelanto, CA (US)
- (72) Inventor: **David Fraijo**, Adelanto, CA (US)
- (**) Term: **15 Years**
- (21) Appl. No.: **29/588,165**
- (22) Filed: **Dec. 19, 2016**

Related U.S. Application Data

- (63) Continuation-in-part of application No. 14/676,355, filed on Apr. 1, 2015, now abandoned.
- (51) **LOC (11) Cl.** **08-06**
- (52) **U.S. Cl.**
USPC **D8/327**
- (58) **Field of Classification Search**
USPC 382/323, 340, 343, 333, 325, 329, 336;
292/264; 16/387, 382, 281, 386, 211;
D8/323, 327; 248/213; 160/229.1
CPC E05D 1/04; E05D 11/1014; E05D 11/00;
E05D 15/242; E05B 73/007; E05B 65/50;
E05C 17/365; E05C 17/36; E05C 17/025;
B21D 53/40; F16M 13/02
See application file for complete search history.

(56) **References Cited**

U.S. PATENT DOCUMENTS

- 3,179,994 A 4/1965 Meyer et al.
- 5,706,877 A 1/1998 Grisham et al.

- 6,330,901 B1 12/2001 Friesen et al.
- D557,586 S * 12/2007 Shire D8/327
- 7,726,378 B1 6/2010 Savon
- D658,031 S * 4/2012 Mitchell D8/323
- 2013/0283565 A1* 10/2013 Friesen E05D 15/242
16/103
- 2015/0101763 A1 4/2015 Dittmer
- 2016/0040463 A1* 2/2016 Gramstad E05D 5/128
16/382

* cited by examiner

Primary Examiner — Cynthia Underwood

(74) *Attorney, Agent, or Firm* — Global Intellectual Property Agency, LLC; Jordan Sworen

(57) **CLAIM**

The ornamental design for a garage door hinge, as shown and described.

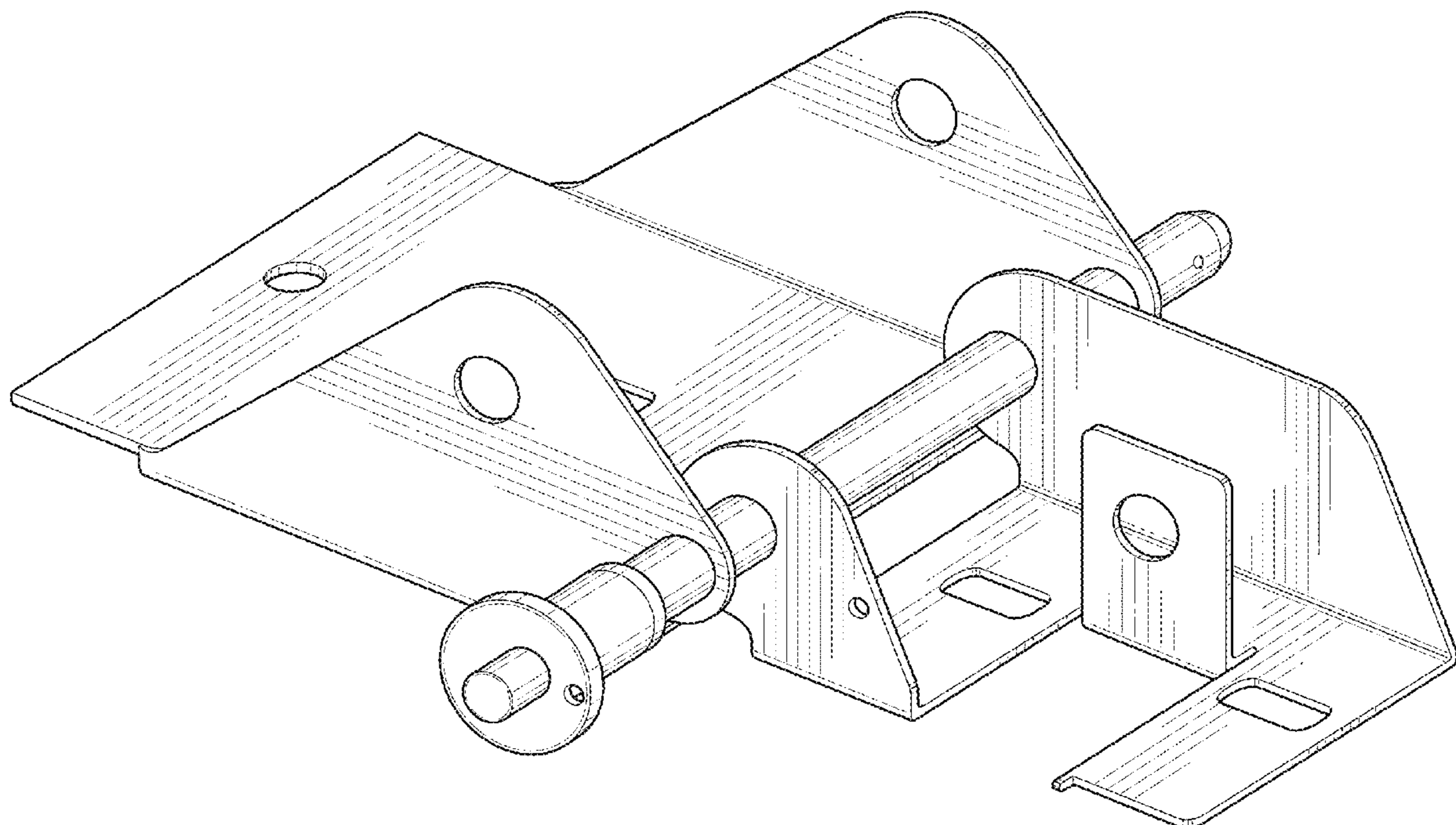
DESCRIPTION

FIG. 1 shows a perspective view of a garage door hinge showing my new design;
 FIG. 2 shows a top plan view thereof;
 FIG. 3 shows a bottom plan view thereof;
 FIG. 4 shows a right side view thereof;
 FIG. 5 shows a left side view thereof;
 FIG. 6 shows a front view thereof; and,
 FIG. 7 shows a rear view thereof.

The shade lines in the Figures show contour and not surface ornamentation.

The broken lines shown in the Figures show portions of the garage door hinge which form no part of the claimed design.

1 Claim, 5 Drawing Sheets



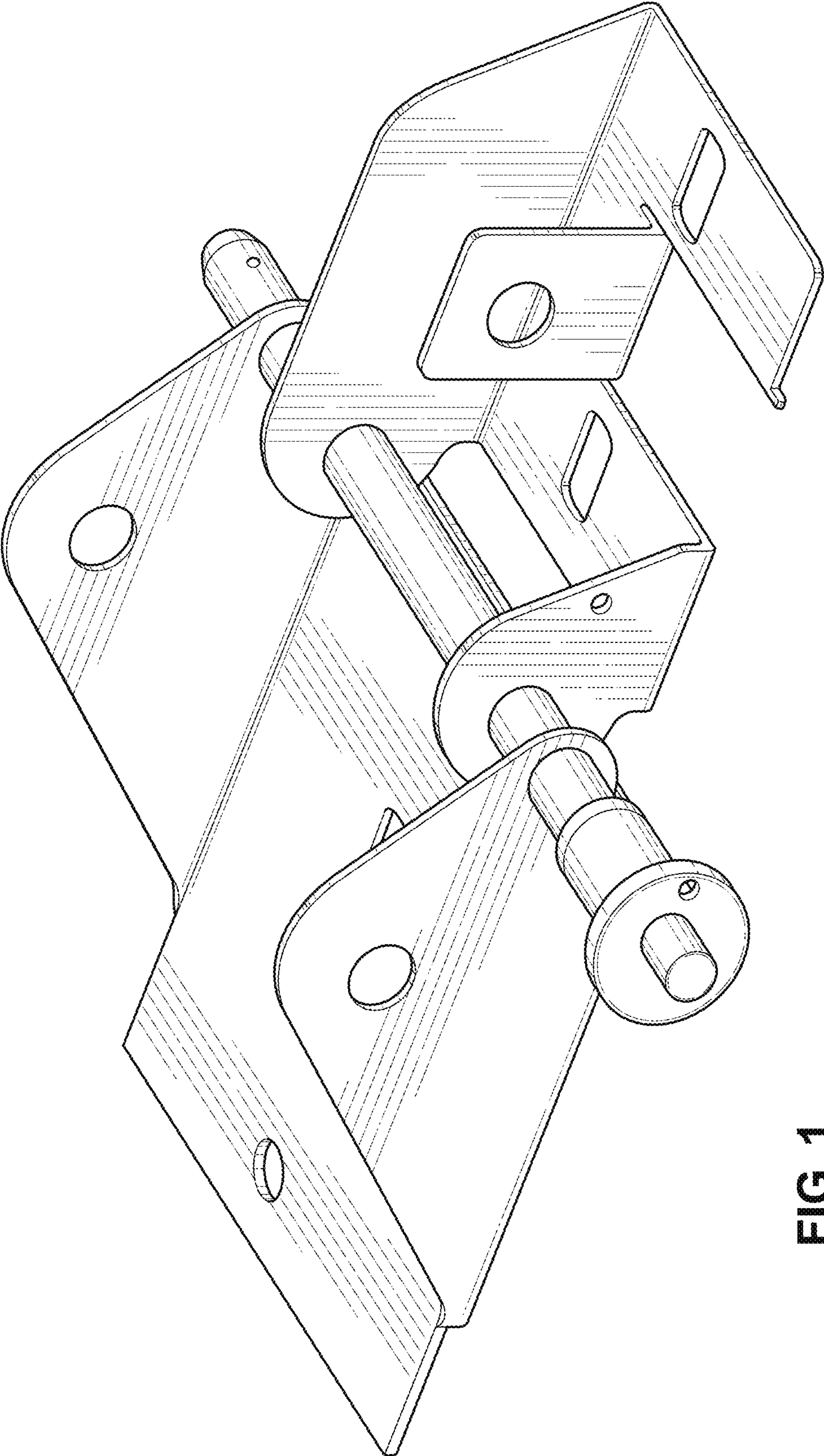


FIG. 1

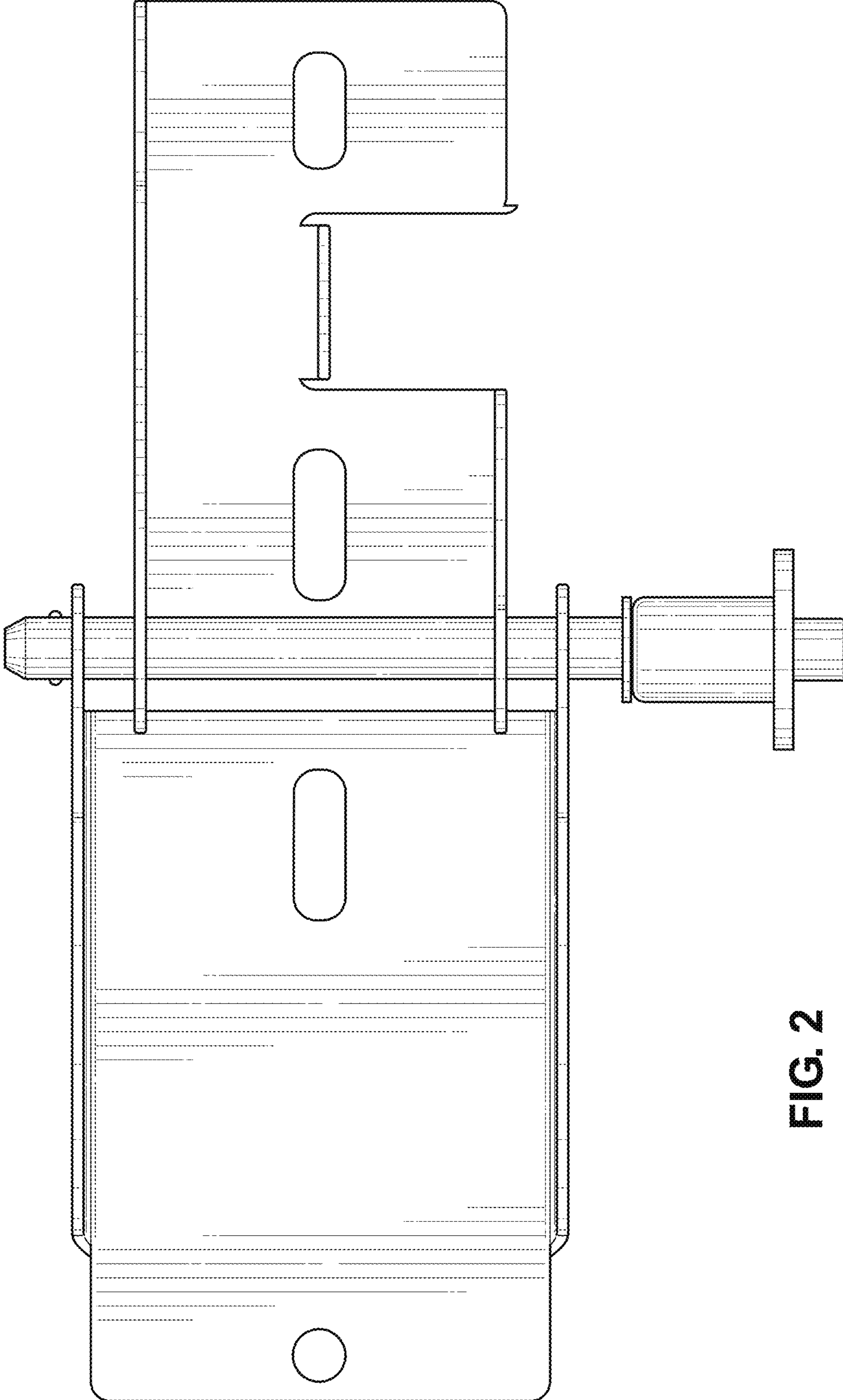


FIG. 2

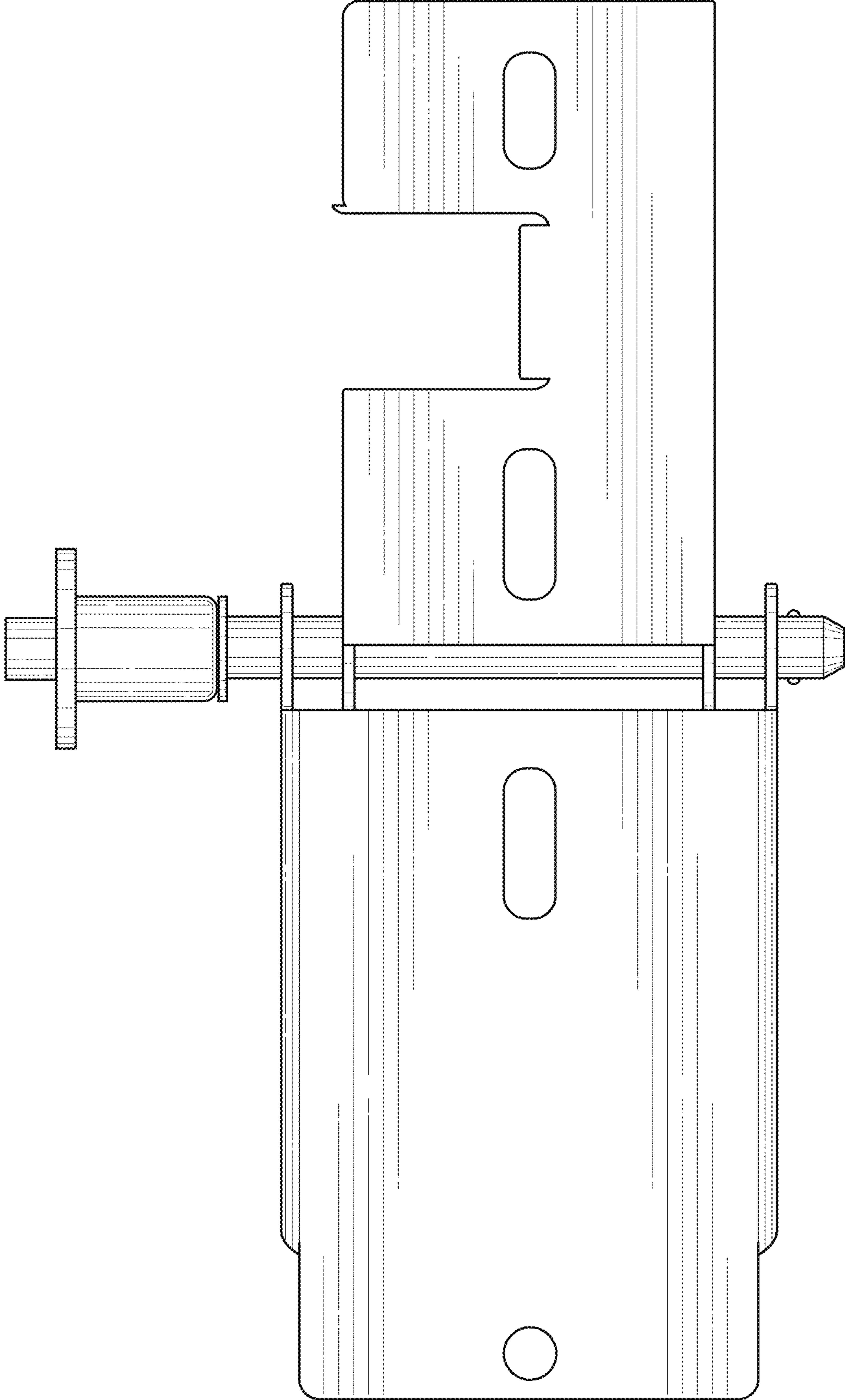


FIG. 3

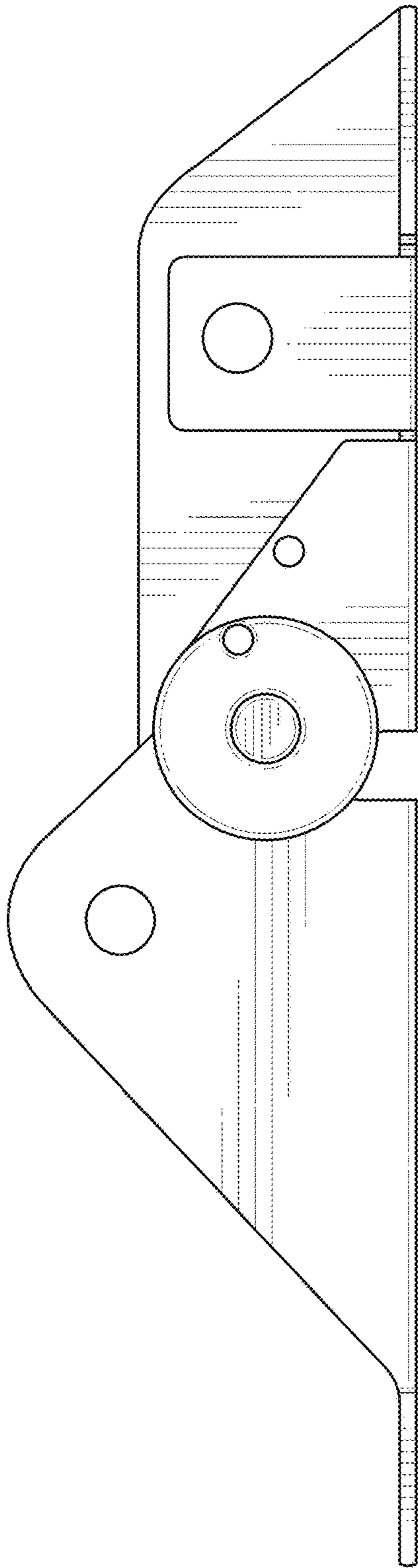


FIG. 4

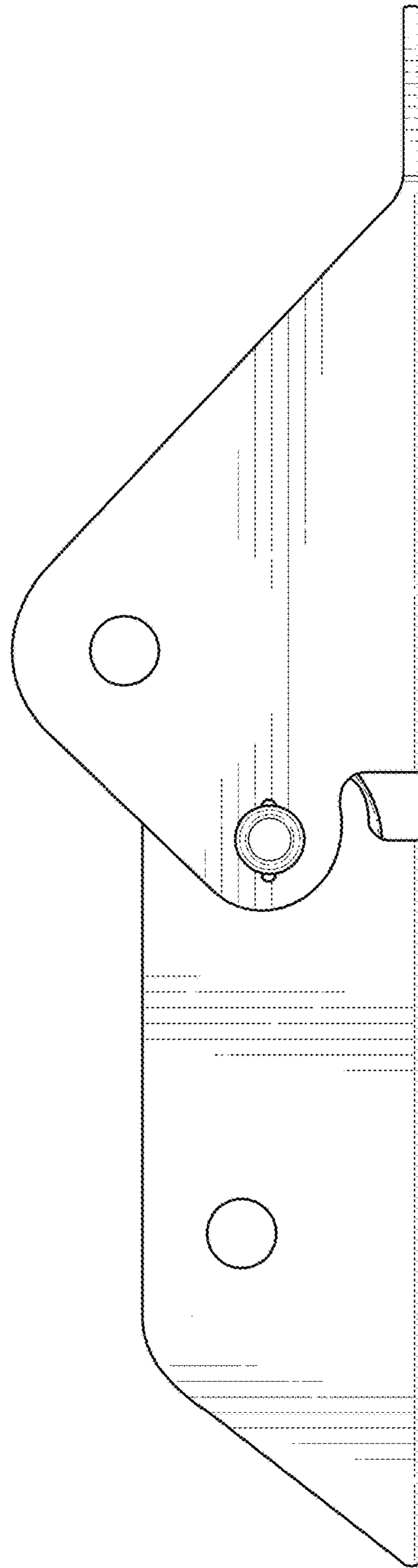


FIG. 5

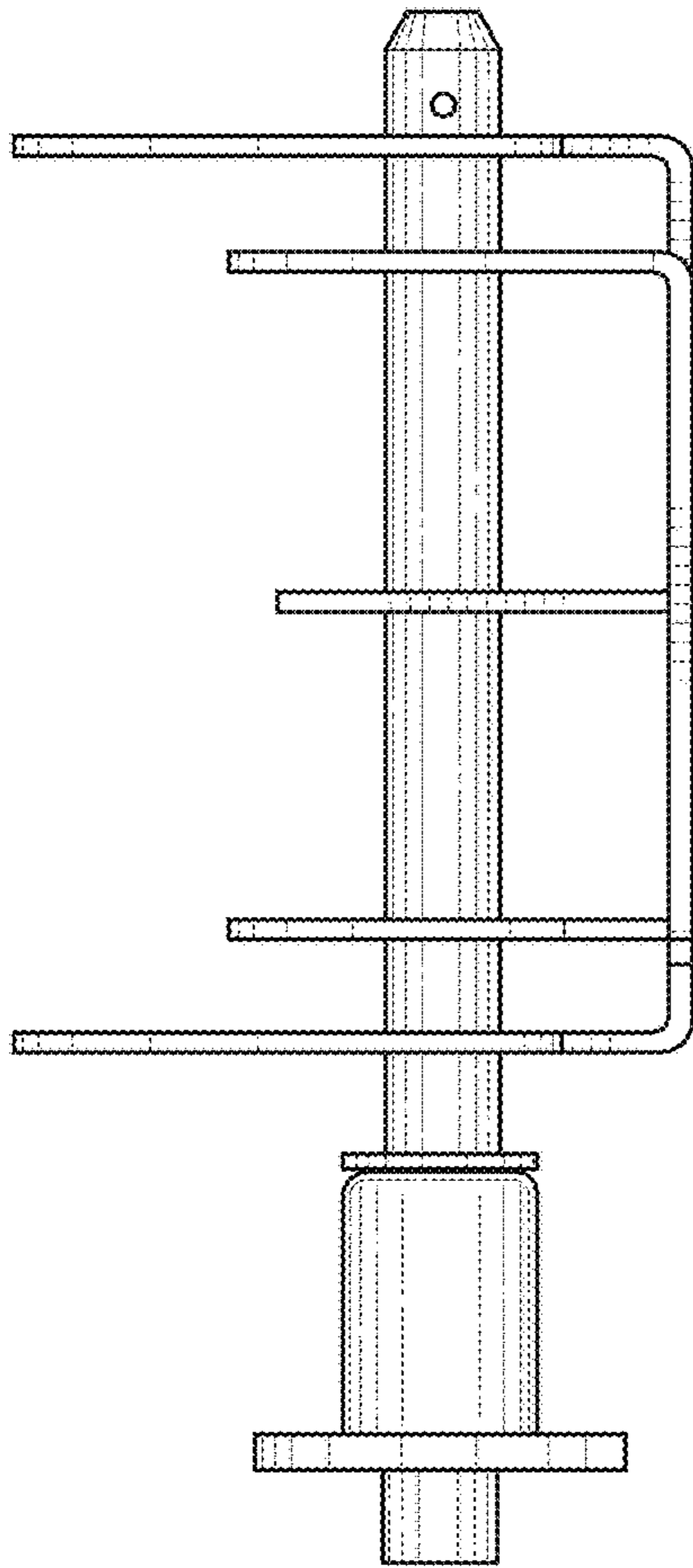


FIG. 6

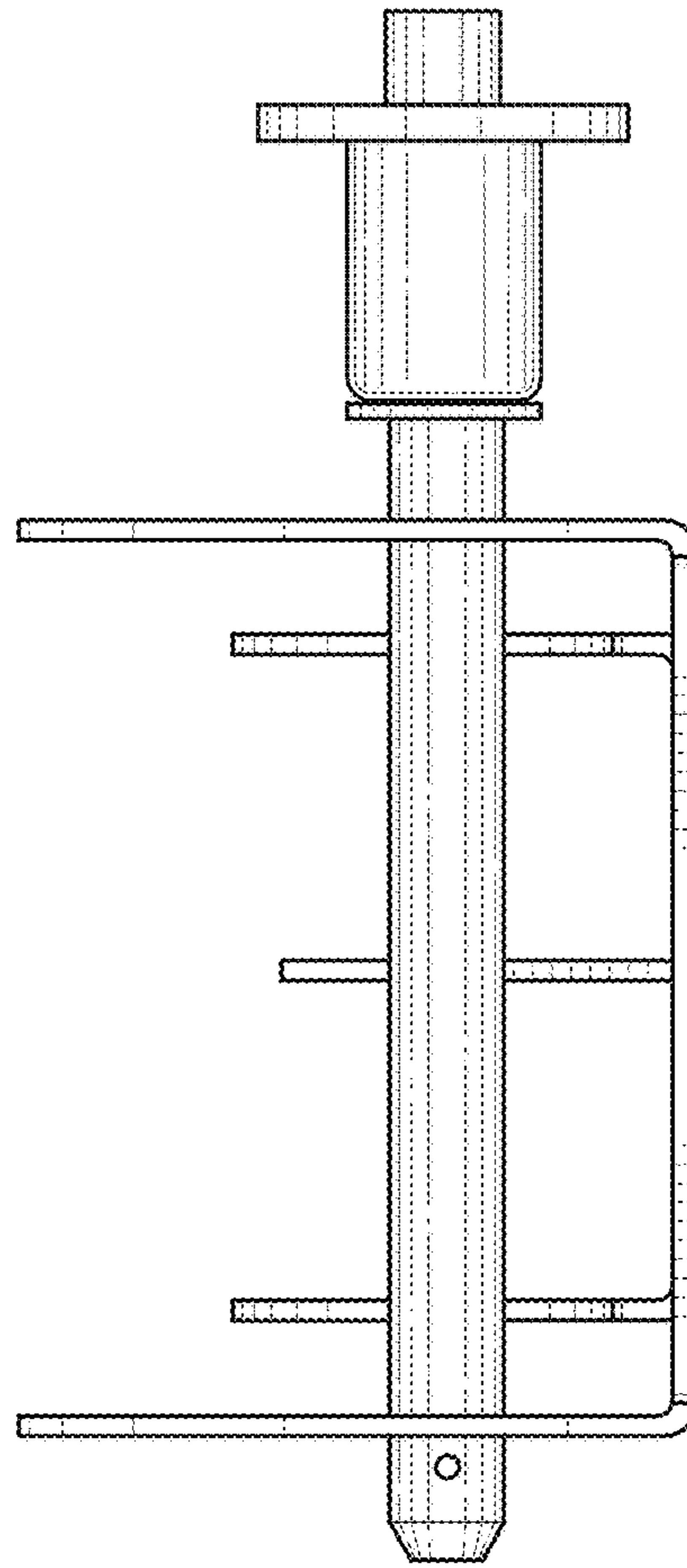


FIG. 7