



US00D808242S

(12) **United States Design Patent**
Levand et al.

(10) **Patent No.:** **US D808,242 S**
(45) **Date of Patent:** **** Jan. 23, 2018**

- (54) **PREP TOOL**
- (71) Applicant: **THE SHERWIN-WILLIAMS COMPANY**, Cleveland, OH (US)
- (72) Inventors: **Victor J. Levand**, Lyndhurst, OH (US); **Joshua R. Robertson**, Cleveland, OH (US); **Sarah Bridget Mulroy**, Rocky River, OH (US); **Sharad Gaurav**, Lakewood, OH (US); **Randi Boss**, Avon Lake, OH (US); **Michael C. Lambertson, Jr.**, Aurora, OH (US); **Edward Ray Goodwin, Jr.**, Westlake, OH (US)

6,009,581 A 1/2000 Davis
 6,131,290 A * 10/2000 Chiou B25F 1/00
 16/436
 6,182,317 B1 2/2001 Huang
 D446,104 S * 8/2001 Chen D8/107
 D456,236 S * 4/2002 Norton D8/14
 6,530,098 B1 3/2003 Gringer
 6,668,751 B1 12/2003 Henke
 D498,124 S * 11/2004 Mitchell D8/45
 D534,781 S * 1/2007 Chen D8/107
 D535,174 S * 1/2007 Chen D8/107
 D569,215 S * 5/2008 Chiu D8/107
 7,434,318 B2 10/2008 Perez
 7,587,778 B2 9/2009 Rosso
 D608,177 S * 1/2010 Perlman D8/107

(Continued)

- (73) Assignee: **The Sherwin-Williams Company**, Cleveland, OH (US)

Primary Examiner — Phillip S Hyder

(74) *Attorney, Agent, or Firm* — Tucker Ellis LLP; Carlos Garritano

(**) Term: **15 Years**

(21) Appl. No.: **29/554,070**

(22) Filed: **Feb. 8, 2016**

(51) **LOC (11) Cl.** **08-05**

(52) **U.S. Cl.**
USPC **D8/107; D8/45**

(58) **Field of Classification Search**
USPC D8/14, 45, 107, 82, 83; D7/395;
D4/138; D32/46, 49, 52
CPC Y10T 16/44; Y10T 16/498; B25F 1/00;
B25G 1/105; B25G 1/102; B25G 1/125
See application file for complete search history.

(56) **References Cited**

U.S. PATENT DOCUMENTS

4,620,369 A 11/1986 Gercken
 5,251,352 A 10/1993 Cullison
 5,546,625 A 8/1996 Mealey
 5,615,445 A 4/1997 Kelsay
 5,956,799 A 9/1999 Panaccione

(57) **CLAIM**

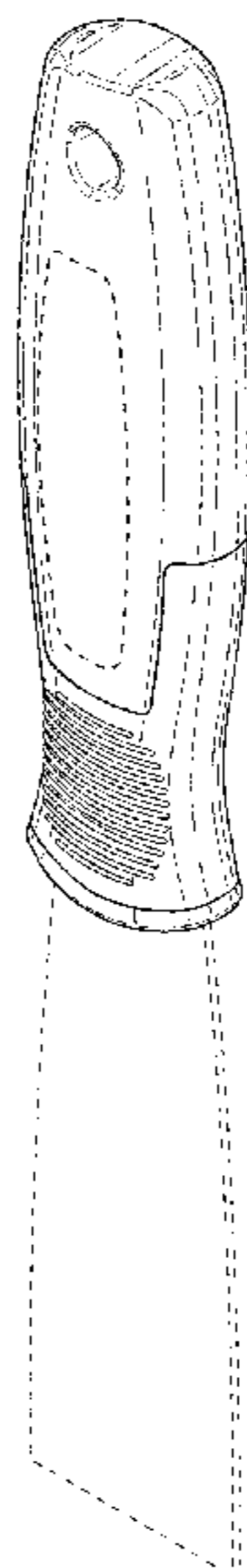
The ornamental design for a prep tool, as shown and described.

DESCRIPTION

FIG. 1 is a perspective view of a prep tool showing our new design;
 FIG. 2 is front view of the prep tool illustrated in FIG. 1;
 FIG. 3 is a rear view of the prep tool illustrated in FIG. 1;
 FIG. 4 is a left side view of the prep tool illustrated in FIG. 1;
 FIG. 5 is a right side view of the prep tool illustrated in FIG. 1;
 FIG. 6 is a top view of the prep tool illustrated in FIG. 1; and,
 FIG. 7 is a bottom view of the prep tool illustrated in FIG. 1.

The broken lines depict portions of the prep tool in which the design is embodied that are not considered part of the claimed design.

1 Claim, 4 Drawing Sheets



(56)

References Cited

U.S. PATENT DOCUMENTS

8,205,341	B2	6/2012	Rosso	
8,844,087	B2	9/2014	Henke	
8,844,410	B2	9/2014	Henke	
D719,433	S *	12/2014	Cooper D16/135
2007/0074401	A1	4/2007	Myers	
2009/0293200	A1	12/2009	Rosso	
2010/0117262	A1	5/2010	Gringer	
2012/0246946	A1	10/2012	Kreitz	

* cited by examiner

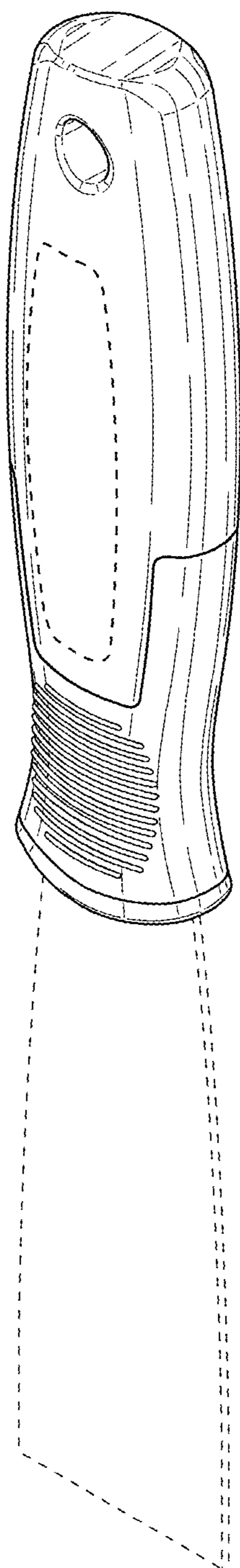


FIG. 1

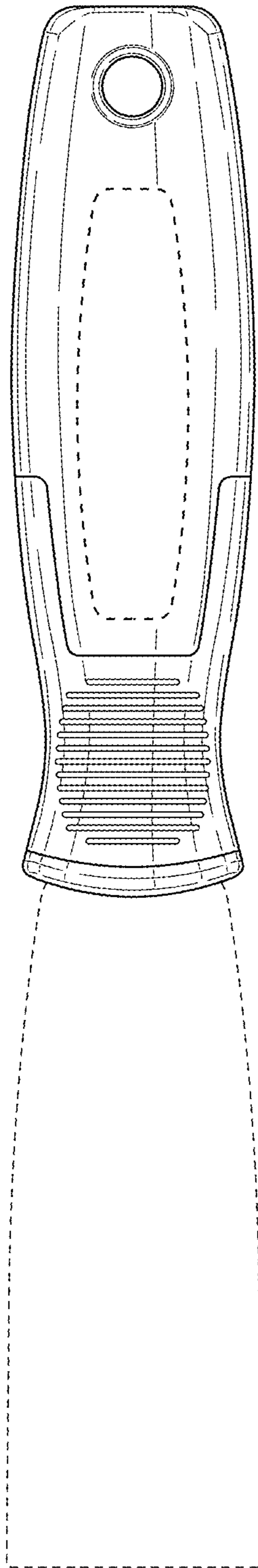


FIG. 2

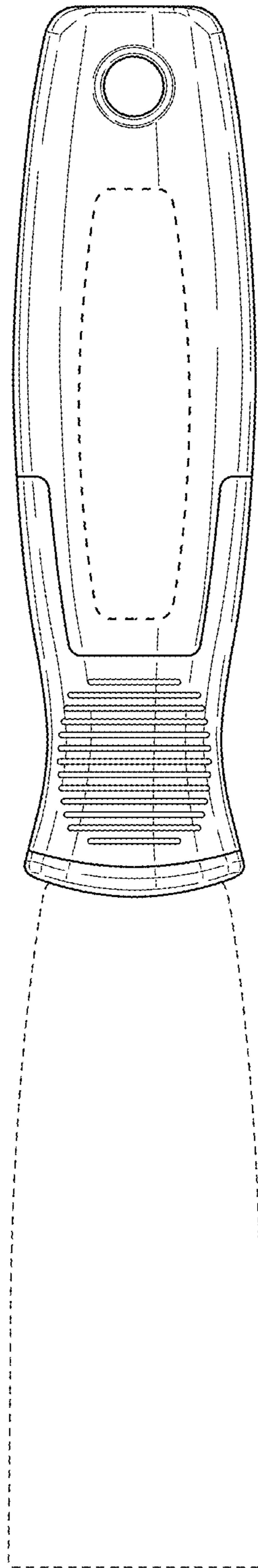


FIG. 3

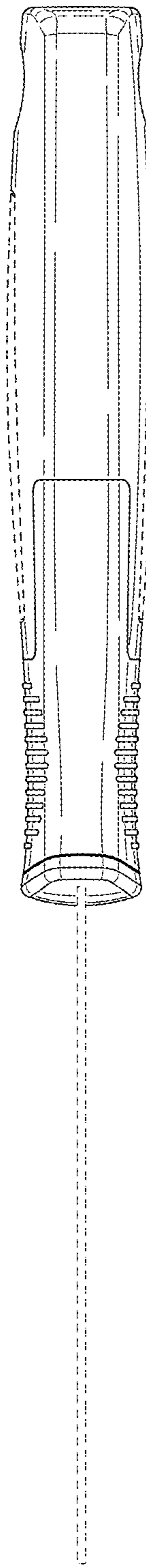


FIG. 4

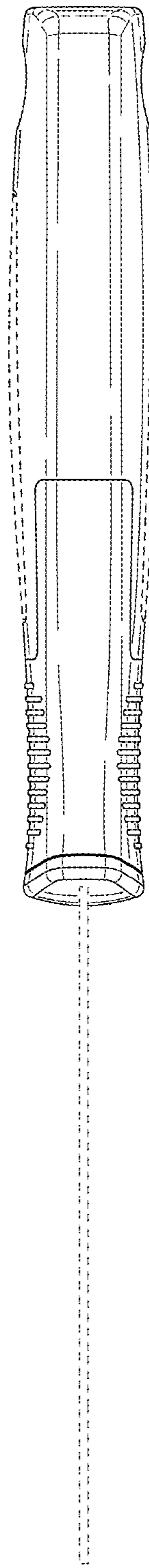


FIG. 5

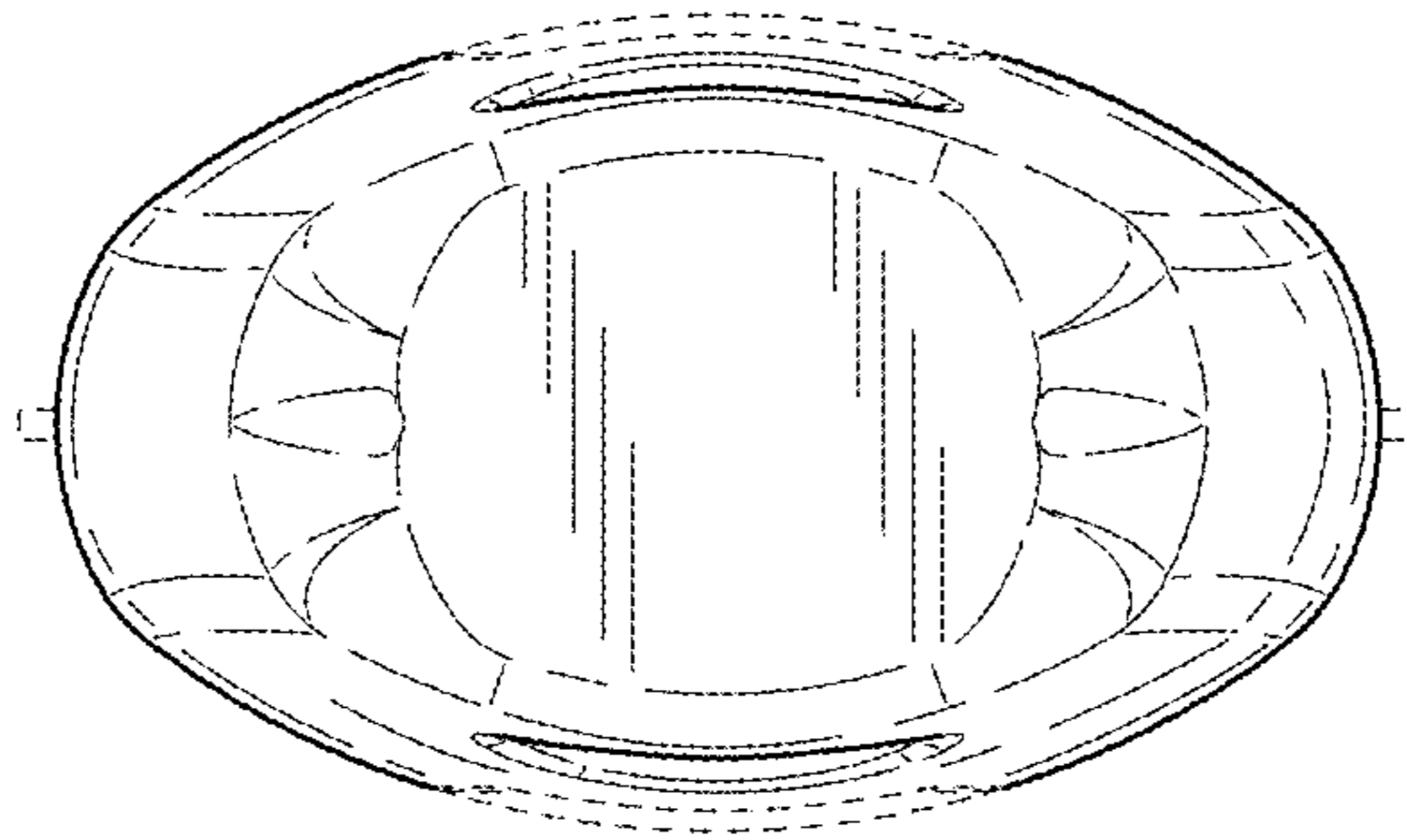


FIG. 6

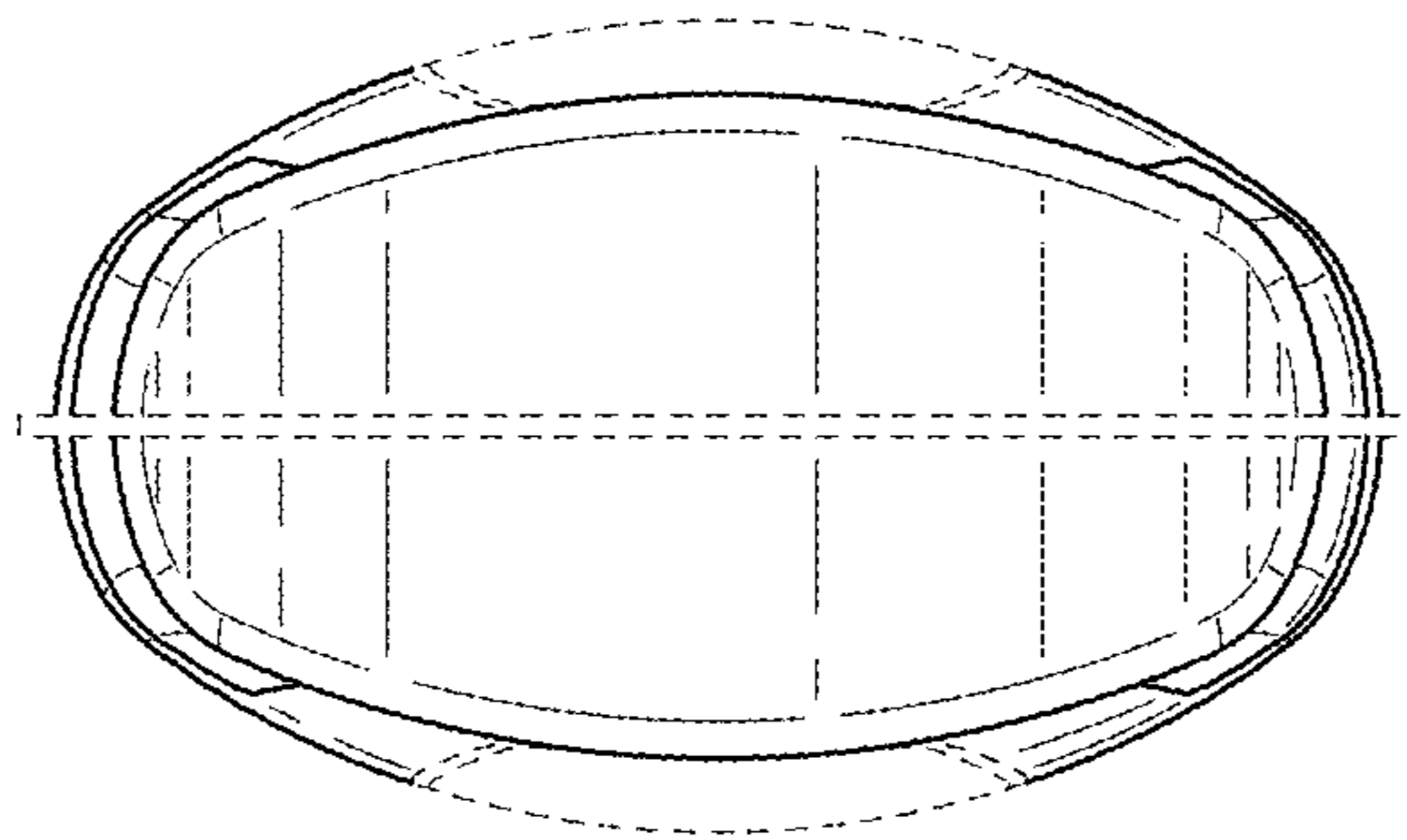


FIG. 7