



US00D808240S

(12) **United States Design Patent**
Kelleghan

(10) **Patent No.:** **US D808,240 S**
(45) **Date of Patent:** **** Jan. 23, 2018**

(54) **CARABINER WITH TOOL SURFACES**
(71) Applicant: **Bison Designs, LLC**, Longmont, CO (US)
(72) Inventor: **Brian James Kelleghan**, Longmont, CO (US)

D233,405 S 10/1974 Frey
4,023,606 A 5/1977 Kneissl
D285,989 S 10/1986 MacDonald
4,622,724 A 11/1986 Dupre
4,742,619 A 5/1988 Swanson
D302,232 S * 7/1989 Hoffman D8/18
D302,514 S * 8/1989 Gates D8/105
(Continued)

(73) Assignee: **Bison Designs, LLC**, Longmont, CO (US)

FOREIGN PATENT DOCUMENTS

(**) Term: **15 Years**

CN 301481529 3/2011

(21) Appl. No.: **29/567,164**

OTHER PUBLICATIONS

(22) Filed: **Jun. 6, 2016**

<http://soldiersystems.net/tag/bison-designs/> Posted Jan. 28, 2014.*
(Continued)

Related U.S. Application Data

(62) Division of application No. 29/516,792, filed on Feb. 5, 2015, now Pat. No. Des. 758,824, which is a division of application No. 29/480,031, filed on Jan. 22, 2014, now Pat. No. Des. 733,516.

Primary Examiner — Susan Bennett Hattan
Assistant Examiner — Leanne Was-Englehart
(74) *Attorney, Agent, or Firm* — Polson Intellectual Property Law, PC; Margaret Polson

(51) **LOC (11) Cl.** **08-05**
(52) **U.S. Cl.**
USPC **D8/105**

(57) **CLAIM**

The ornamental design for a carabiner with tool surfaces, as shown and described.

(58) **Field of Classification Search**
USPC D8/14, 16–19, 21–27, 33, 34, 40, 51, D8/82–84, 87, 105, 356; D22/108; 7/138, 151, 158, 169; 30/151, 359, 366; 81/3.09, 3.4, 3.55, 119, 125.1, 176.1, 81/176.2, 488
CPC B25F 1/00; B67B 7/16; B67B 7/44; B67B 7/403

DESCRIPTION

See application file for complete search history.

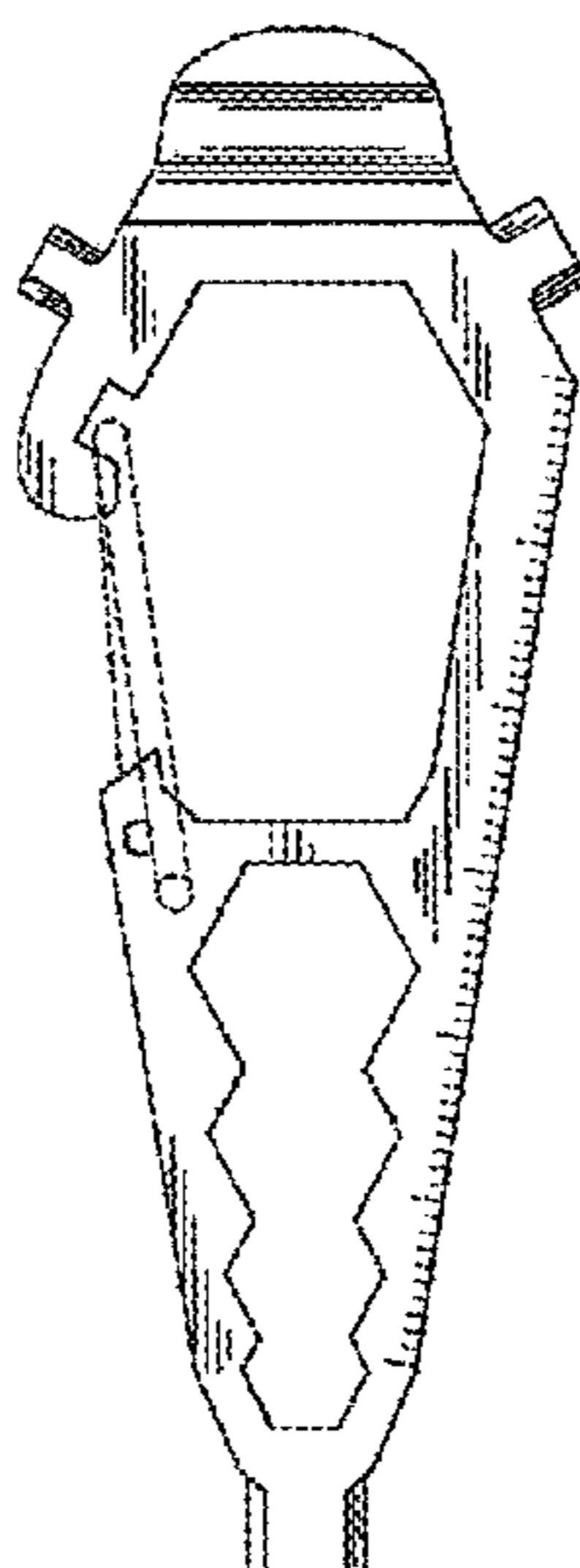
FIG. 1 is a top side plan view of my new design for a carabiner with tool surfaces.
FIG. 2 is a bottom side plan view of FIG. 1.
FIG. 3 is a right side elevation view of FIG. 1.
FIG. 4 is a left side elevation view of FIG. 1.
FIG. 5 is a back side elevation view of FIG. 1.
FIG. 6 is a front side elevation view of FIG. 1; and, FIG. 7 is a top side perspective view of FIG. 1.
The features shown in broken lines depict portions of the carabiner with tool surfaces that form no part of the claimed design. No claim is made to texture, surface finish or surface ornamentation.

(56) **References Cited**

U.S. PATENT DOCUMENTS

457,614 A 8/1891 Green
D54,394 S 2/1920 Dodge
D122,575 S 6/1940 Smiley
2,998,526 A 9/1961 Prete

1 Claim, 1 Drawing Sheet



(56)

References Cited

U.S. PATENT DOCUMENTS

D320,514 S 8/1989 Gates
 D303,212 S 9/1989 Crowle
 D334,693 S * 4/1993 Burke D8/17
 D356,240 S * 3/1995 Meldahl D8/105
 D391,840 S 3/1998 Striebel
 D393,578 S * 4/1998 Keddie 81/124.4
 D402,515 S * 12/1998 McIntyre D8/17
 D414,995 S 10/1999 Hsieh
 D419,251 S 1/2000 Parsons et al.
 D422,731 S 4/2000 Parsons et al.
 6,070,497 A * 6/2000 Farelli B67B 7/16
 81/3.09
 D434,621 S * 12/2000 Tonkin D8/17
 D444,685 S * 7/2001 Shenkel D3/208
 D445,655 S * 7/2001 Maddox D8/105
 D449,975 S 11/2001 Smith et al.
 D477,197 S * 7/2003 Yates D8/19
 D512,286 S * 12/2005 Wolf D8/21
 D514,403 S * 2/2006 Wolf D8/21
 7,111,349 B2 9/2006 Goldberg
 D588,885 S 3/2009 Barber et al.
 D590,699 S 4/2009 Szymanski et al.
 7,530,295 B2 * 5/2009 Jones B25F 1/00
 81/124.4
 D594,315 S 6/2009 Szymanski et al.
 D608,184 S 1/2010 Kelleghan
 D609,078 S 2/2010 Kelleghan
 D628,873 S 12/2010 Kelleghan
 D629,287 S 12/2010 Kelleghan
 D632,546 S 2/2011 Schmid
 D642,895 S 8/2011 Kelleghan
 D666,883 S 9/2012 Howard et al.

D670,154 S * 11/2012 Kelleghan D8/356
 D693,202 S * 11/2013 Berman D3/210
 D705,034 S * 5/2014 Connell D8/105
 D709,344 S * 7/2014 Adelman B25B 15/00
 D3/208
 D726,517 S * 4/2015 Fischer D8/17
 D733,516 S * 7/2015 Kelleghan D8/105
 D737,173 S 8/2015 Kelleghan
 D739,713 S 9/2015 Kelleghan
 D756,178 S 5/2016 Kelleghan
 D758,824 S * 6/2016 Kelleghan D8/105
 D768,460 S * 10/2016 Adelman D8/105
 D770,250 S * 11/2016 Fischer D8/17
 D773,274 S * 12/2016 Berman D8/105
 D781,125 S * 3/2017 Manor D8/105
 2004/0149516 A1 8/2004 Kwak et al.
 2005/0061905 A1 3/2005 Sherman et al.
 2006/0266160 A1 * 11/2006 Yeh B67B 7/16
 81/3.4
 2008/0016659 A1 1/2008 Peterson
 2014/0059782 A1 * 3/2014 Duncan B25F 1/04
 7/138
 2016/0167213 A1 * 6/2016 Adelman B25B 15/00
 7/138

OTHER PUBLICATIONS

<https://bisondesigns.com/catalog/carabiners> Available Oct. 18, 2014.*
 Nite Ize DoohicKey Keychain Tool, webpage <http://toolguyd.com/nite-ize-doohickey-keychain-tool/>. Nov. 4, 2013.
 Doohickey key tool, webpage Mack-Shop.com: <https://www.mack-shop.com/eshop/p/1175/doohickey-key-tool>. Aug. 24, 2015.

* cited by examiner

