



US00D808238S

(12) **United States Design Patent**
Zhang et al.

(10) **Patent No.:** **US D808,238 S**

(45) **Date of Patent:** **** Jan. 23, 2018**

(54) **MULTIFUNCTION BENCH VICE**

D164,143 S 7/1951 Vogl
D213,727 S 4/1969 Barvinek et al.
4,133,519 A 1/1979 Shin et al.

(71) Applicant: **LAIZHOU HONGYUAN BENCH VICE MANUFACTURE Co., Ltd.**,
Laizhou, Shandong Province (CN)

(Continued)

(72) Inventors: **Zhiquan Zhang**, Laizhou (CN); **Tao Wang**, Laizhou (CN); **Shujun Zhao**, Laizhou (CN); **Xiaodong Wang**, Laizhou (CN); **Xiaoguang Lin**, Laizhou (CN); **Qingchang Shan**, Laizhou (CN); **Maodou Li**, Laizhou (CN); **Lintao Wu**, Laizhou (CN)

Primary Examiner — David G Muller

(74) *Attorney, Agent, or Firm* — Andrew W. Chu; Craft Chu PLLC

(73) Assignee: **LAIZHOU HONGYUAN BENCH VICE MANUFACTURE Co., Ltd.**,
Laizhou, Shandong Province (CN)

(57) **CLAIM**

The ornamental design for a multifunction bench vice, as shown and described.

(**) Term: **15 Years**

(21) Appl. No.: **29/564,821**

(22) Filed: **May 16, 2016**

(30) **Foreign Application Priority Data**

Jan. 12, 2016 (CN) 2016 3 0009514

(51) **LOC (11) Cl.** **08-05**

(52) **U.S. Cl.**
USPC **D8/74**

(58) **Field of Classification Search**

USPC D8/71-74, 394-399, 59; 248/63, 72, 248/74.1, 689, 124.2; 81/487, 385, 386, 81/388-390; 269/3, 4, 6, 143, 165, 240, 269/243, 246-249, 254 R, 147-149; 29/256, 257, 276; 408/103, 104-109

CPC B25B 1/00; B25B 5/00
See application file for complete search history.

DESCRIPTION

FIG. 1 is an upper perspective view of the multifunction bench vice showing my design in a first configuration. FIG. 2 is another upper perspective view thereof, in a second configuration; FIG. 3 is a side elevation view of the second configuration of FIG. 2; FIG. 4 is an opposite side elevation view of the second configuration of FIG. 2; FIG. 5 is an end elevation view of the second configuration of FIG. 2; FIG. 6 is an opposite end elevation view of the second configuration of FIG. 2; FIG. 7 is a top plan view of the second configuration of FIG. 2; and, FIG. 8 is a bottom view of the second configuration of FIG. 2.

The broken line showing of parts of the drawings is included for the purpose of illustrating use and environment and forms no part of the claimed design.

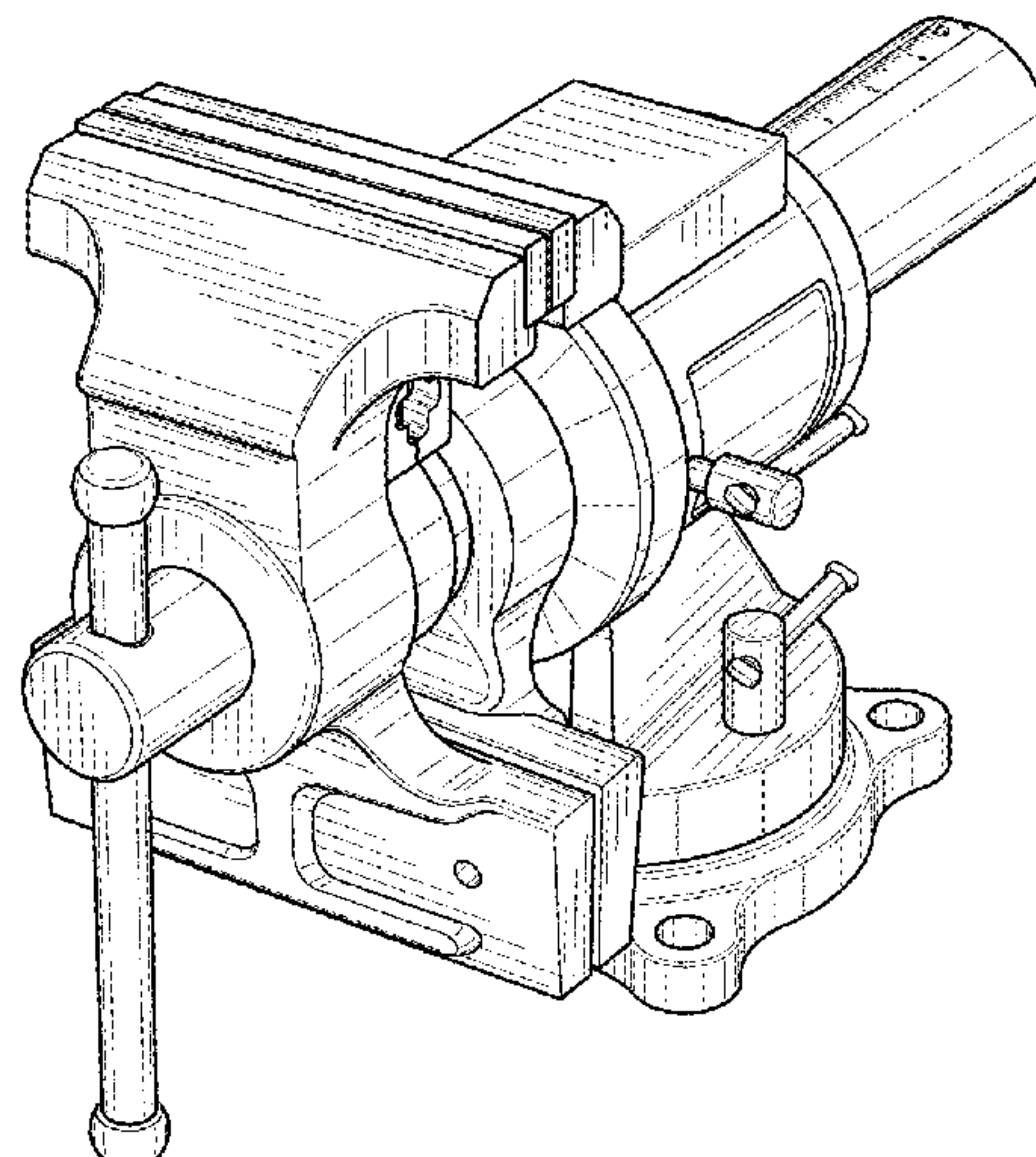
The multifunction bench vice has a first configuration with a first gripping means in a top position and a second gripping means in a bottom position and a second configuration with the second gripping means in the top position and the first gripping means in a bottom position.

(56) **References Cited**

U.S. PATENT DOCUMENTS

D145,641 S 9/1946 Thompson
D154,001 S 5/1949 Vogl

1 Claim, 3 Drawing Sheets



(56)

References Cited

U.S. PATENT DOCUMENTS

D254,835	S	4/1980	Bass	
D282,143	S *	1/1986	Tarquinio	D8/74
4,807,863	A	2/1989	Yang	
4,971,301	A	11/1990	Yang	
D333,963	S	3/1993	Goodman	
5,282,392	A	2/1994	Fan et al.	
5,531,428	A *	7/1996	Dembicks	B25B 1/24 269/172
D417,599	S *	12/1999	Wolfe	D8/74
D435,772	S *	1/2001	Lavigne	D8/74
D437,200	S *	2/2001	Lavigne	D8/74
D471,070	S	3/2003	Howell	
D473,441	S	4/2003	Cross	
D484,018	S	12/2003	Boyer et al.	
D485,740	S	1/2004	Varzino et al.	
D556,530	S *	12/2007	Workman	D8/72
D595,102	S *	6/2009	Francis	D8/74
7,677,141	B1	3/2010	Crew	
D680,843	S	4/2013	Onello et al.	
D699,539	S *	2/2014	Nieto	D8/74
D705,031	S *	5/2014	Zhang	D8/74
D707,096	S *	6/2014	Zhang	D8/74
9,079,464	B2 *	7/2015	Onello	B25B 1/103
D780,549	S *	3/2017	Zhang	D8/74
2003/0197319	A1 *	10/2003	Ho	B25B 5/08 269/246

* cited by examiner

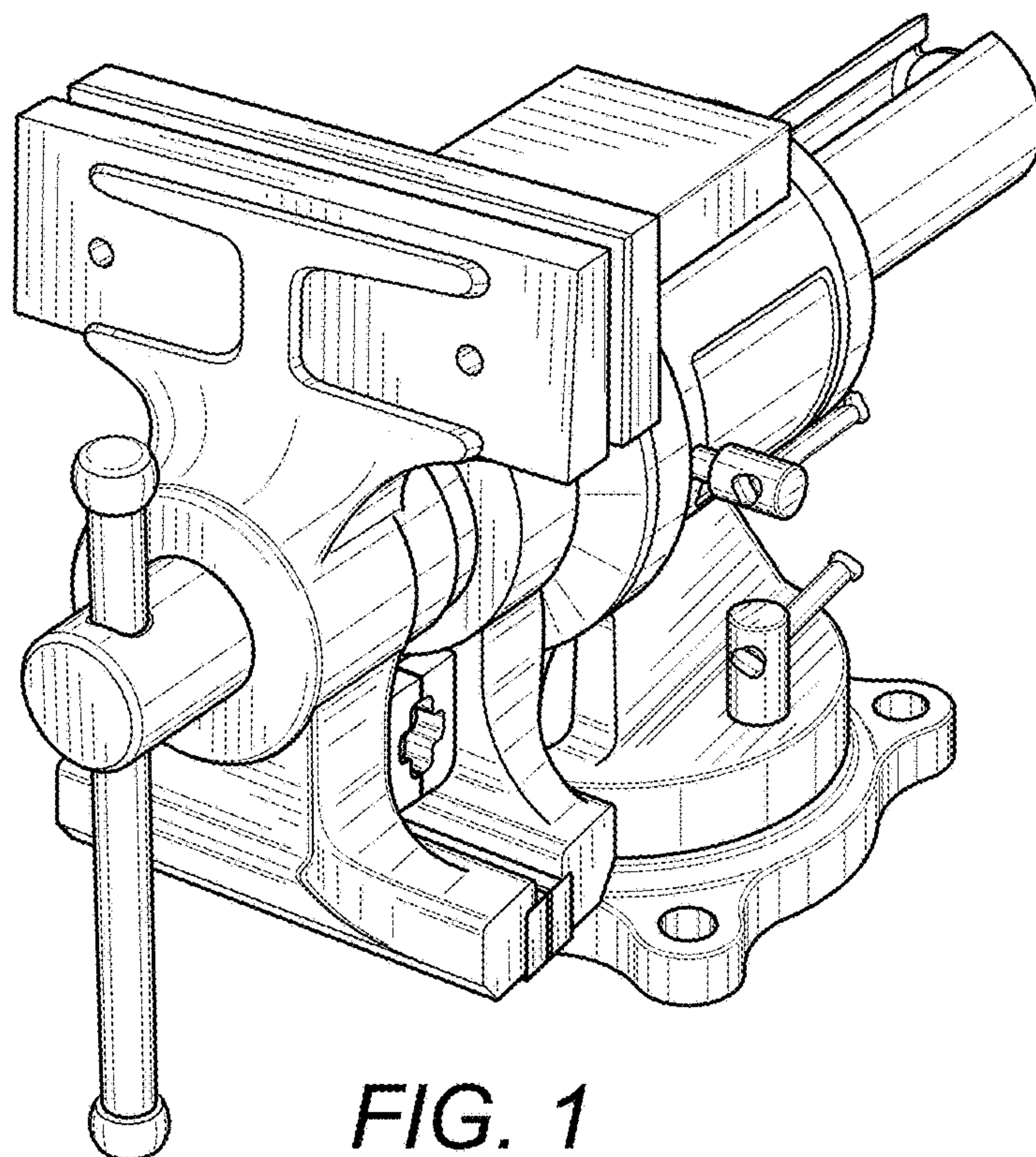


FIG. 1

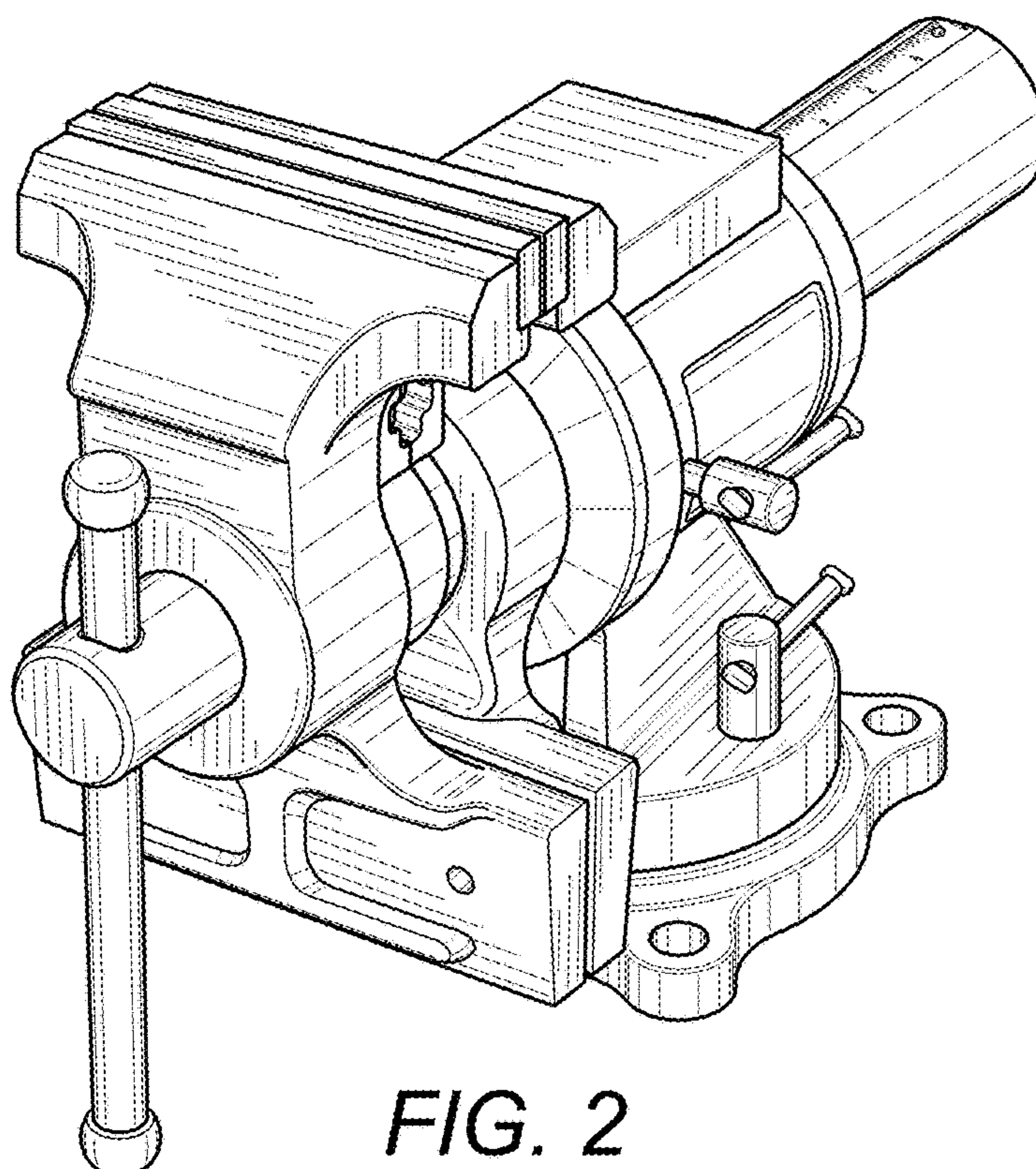


FIG. 2

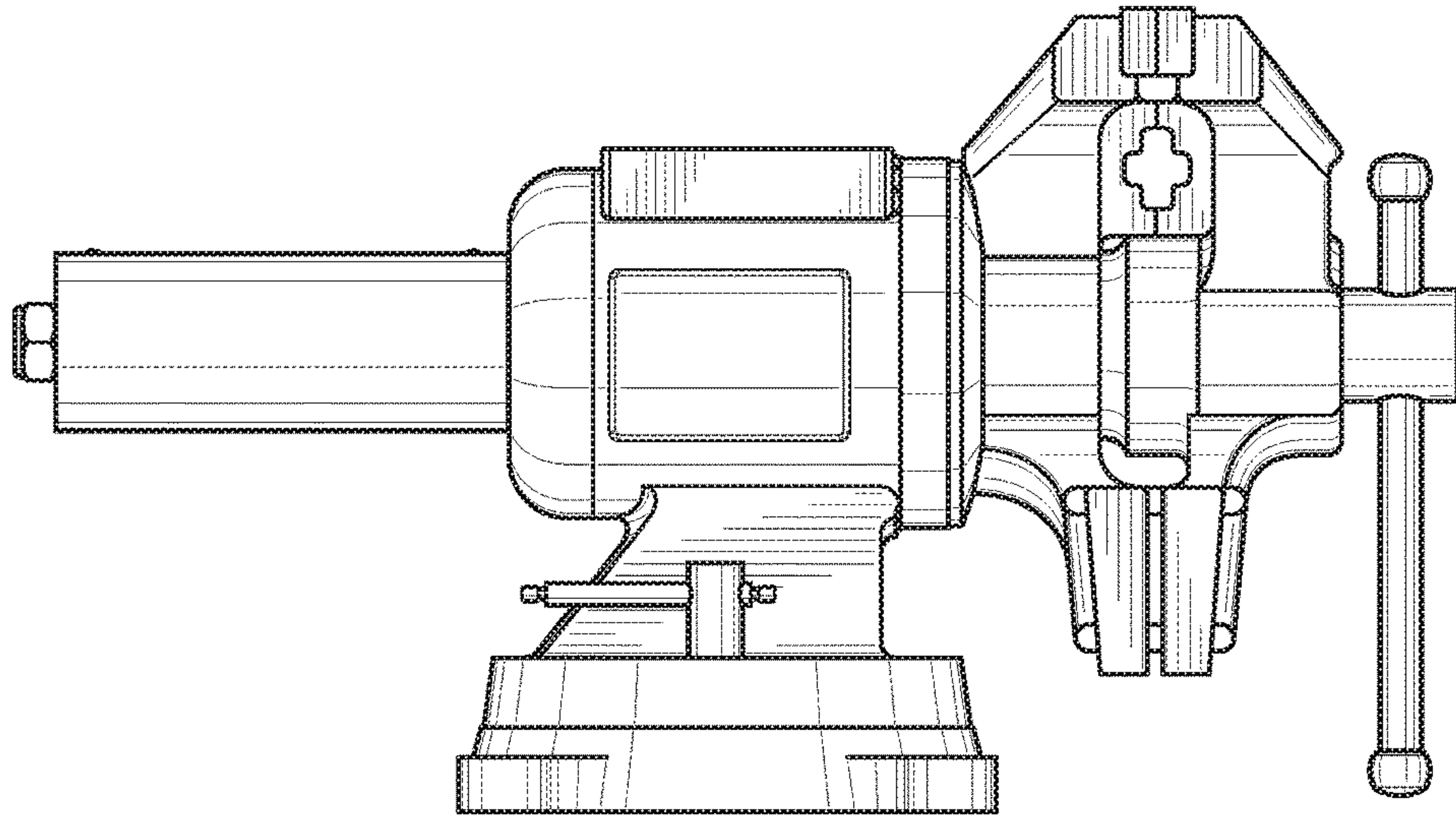


FIG. 3

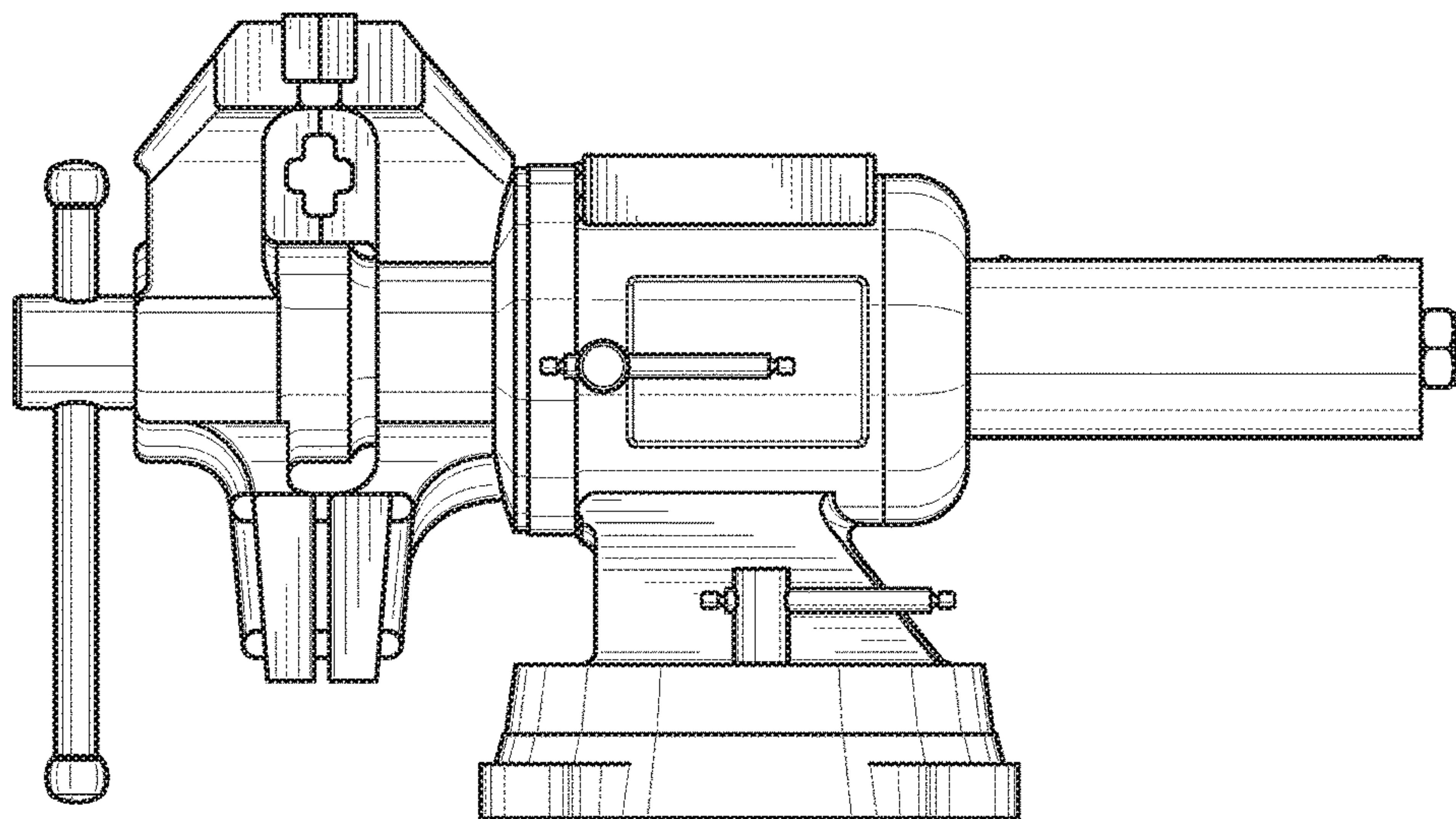


FIG. 4

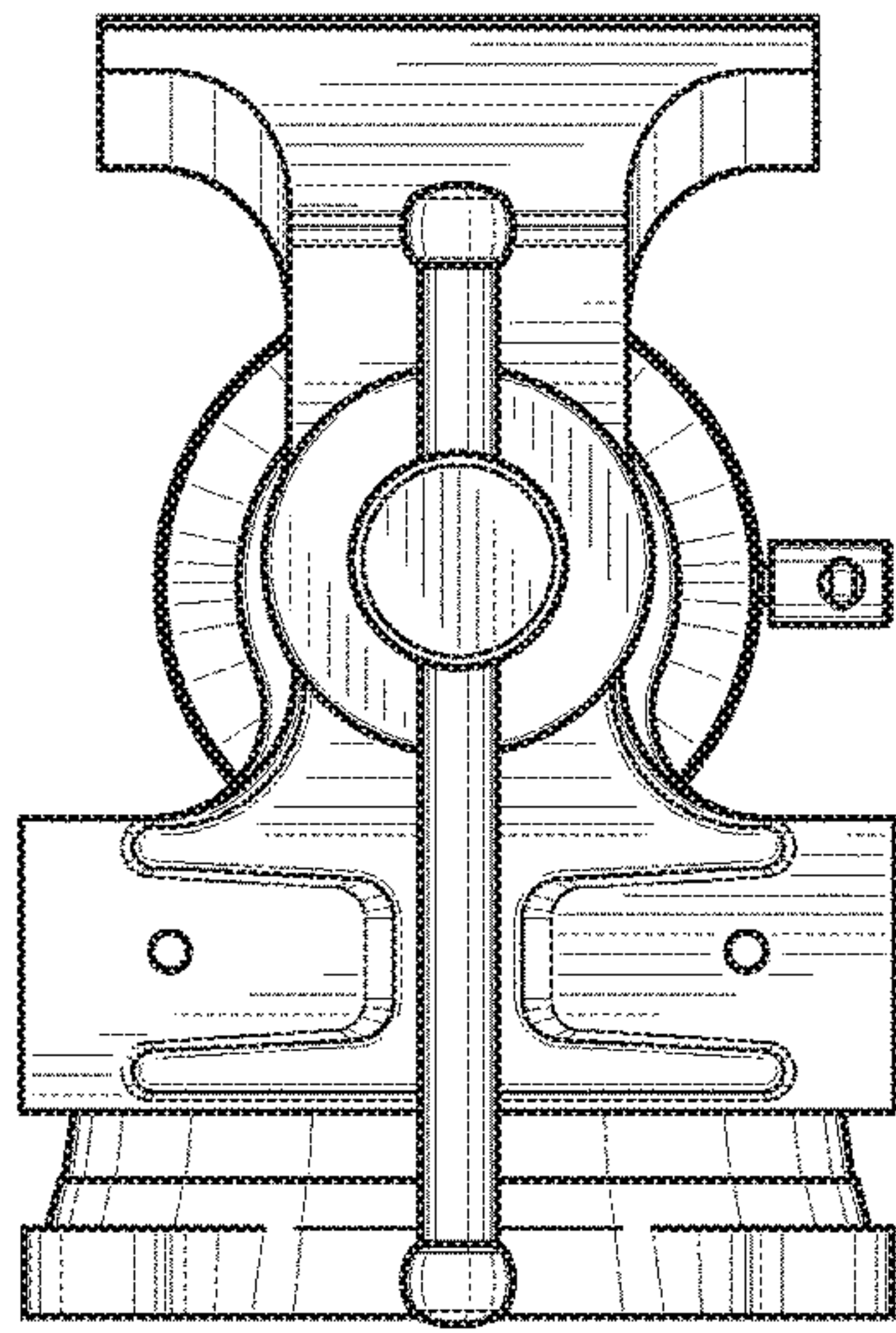


FIG. 5

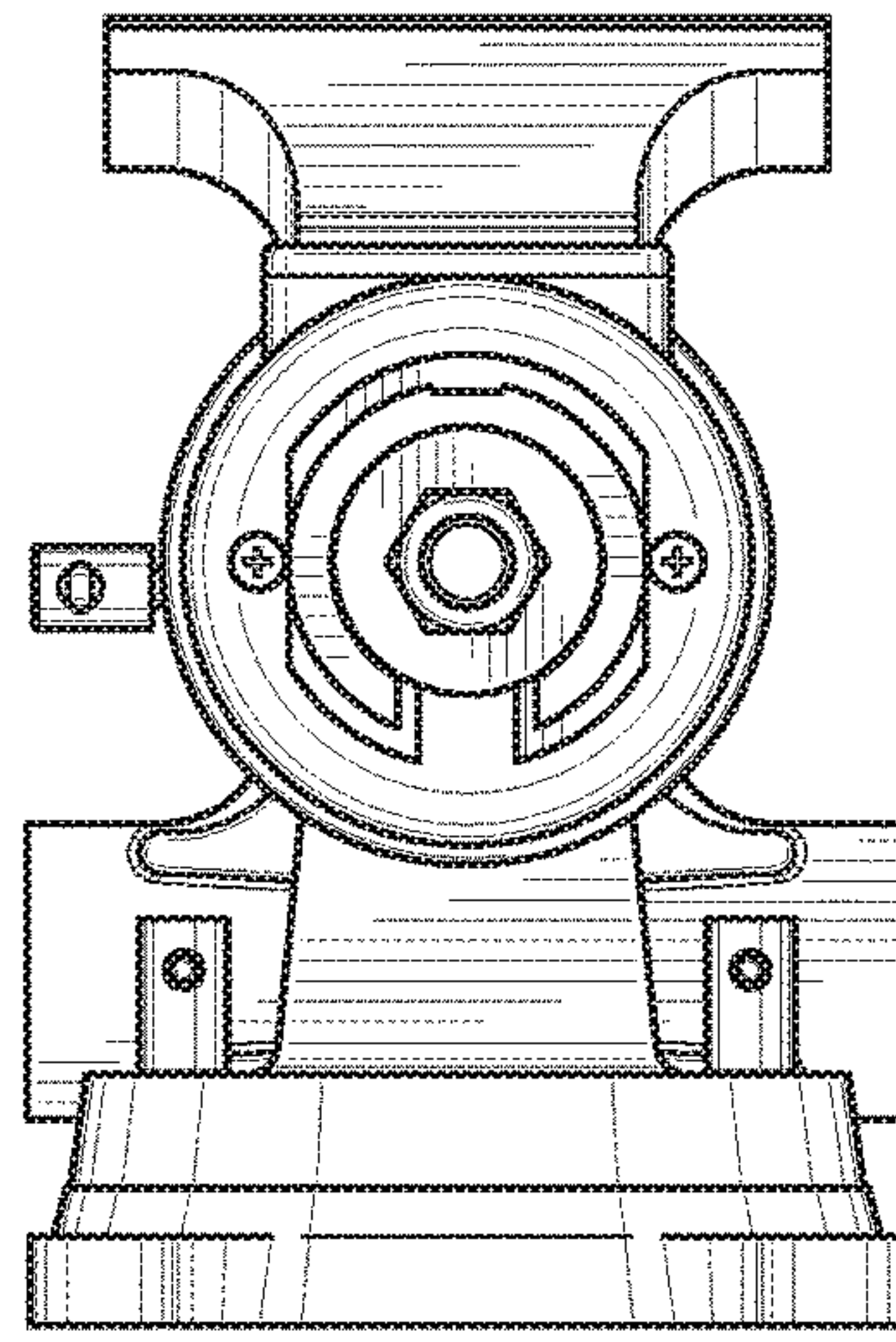


FIG. 6

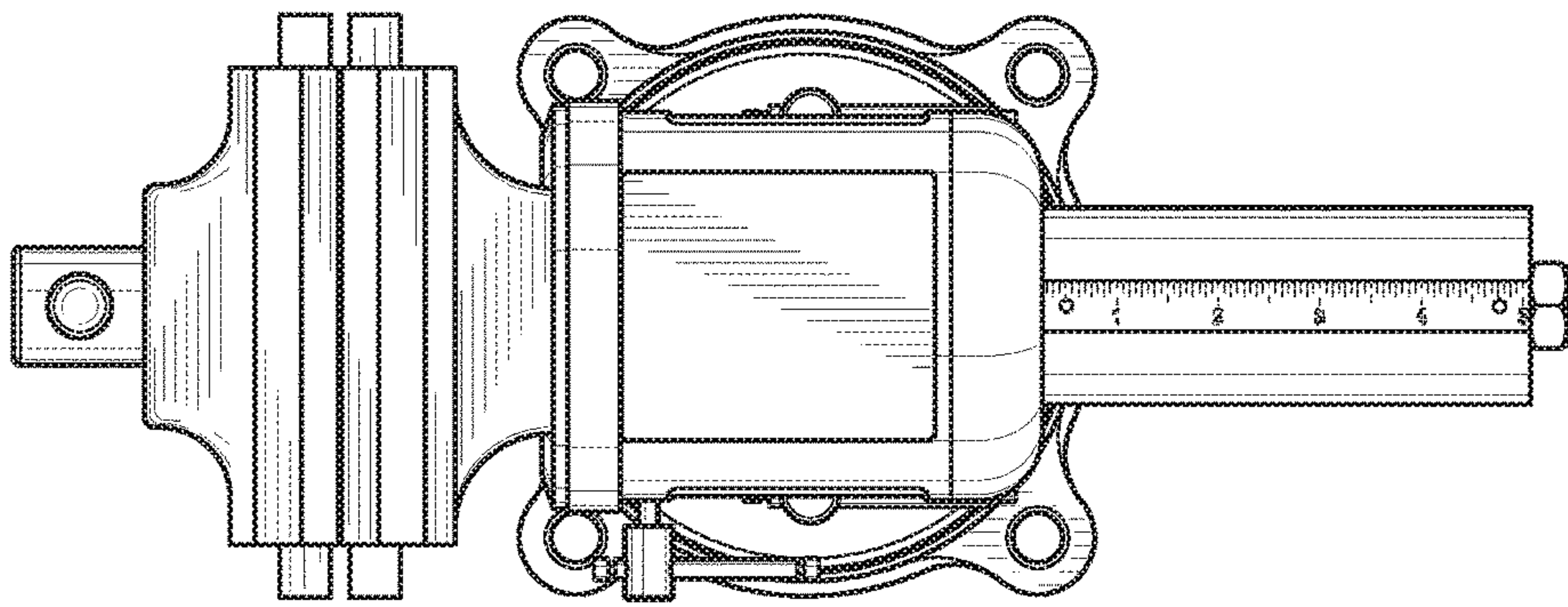


FIG. 7

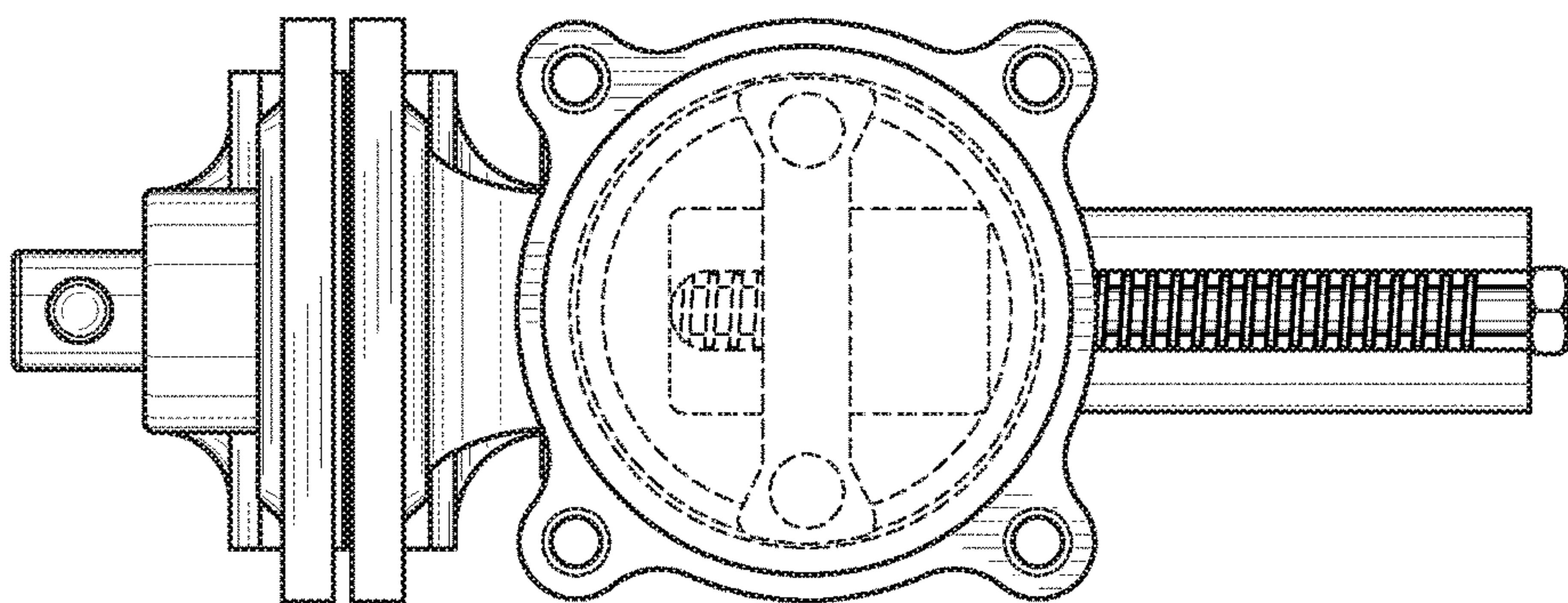


FIG. 8