



US00D808237S

(12) **United States Design Patent**
Tatom

(10) **Patent No.:** **US D808,237 S**
(45) **Date of Patent:** **** Jan. 23, 2018**

- (54) **MULTIPURPOSE TOOL REST**
- (71) Applicant: **Patrick Alan Tatom**, Conroe, TX (US)
- (72) Inventor: **Patrick Alan Tatom**, Conroe, TX (US)
- (**) Term: **15 Years**
- (21) Appl. No.: **29/580,974**
- (22) Filed: **Oct. 14, 2016**
- (51) **LOC (11) Cl.** **08-05**
- (52) **U.S. Cl.**
USPC **D8/71**
- (58) **Field of Classification Search**
USPC D8/16, 19, 71, 350, 353, 354, 364, 366,
D8/380, 381, 499; D3/304, 306;
D6/510, 524, 525, 536-537, 540, 553,
D6/566, 567; D7/637; D30/133
CPC E21C 35/18; E21C 35/19; E21C 35/183;
A47J 47/16; A47J 47/20; A47K 10/04;
A47L 19/02; A47L 17/02
See application file for complete search history.

- 7,137,584 B2 * 11/2006 Wong B23K 3/08
211/70.6
- D533,042 S * 12/2006 Loch D15/144
- D566,508 S * 4/2008 Lin D8/71
- D578,855 S * 10/2008 Meyers D8/71
- D605,018 S * 12/2009 Price D15/123
- D681,414 S * 5/2013 Tatic D8/373
- D700,809 S * 3/2014 Dewolf D7/600.1
- D717,066 S * 11/2014 Deacon D6/524
- D747,167 S * 1/2016 Harkin D8/72
- D778,702 S * 2/2017 Mouthaan D8/71
- D781,677 S * 3/2017 Saunders D8/71
- D784,104 S * 4/2017 Lai D8/71
- D793,764 S * 8/2017 Libman D6/553

* cited by examiner

Primary Examiner — Darlington Ly
(74) *Attorney, Agent, or Firm* — Adamsip, LLC; J. Hunter Adams; Stephen Thompson

(57) **CLAIM**

The ornamental design for a multipurpose tool rest, as shown and described.

DESCRIPTION

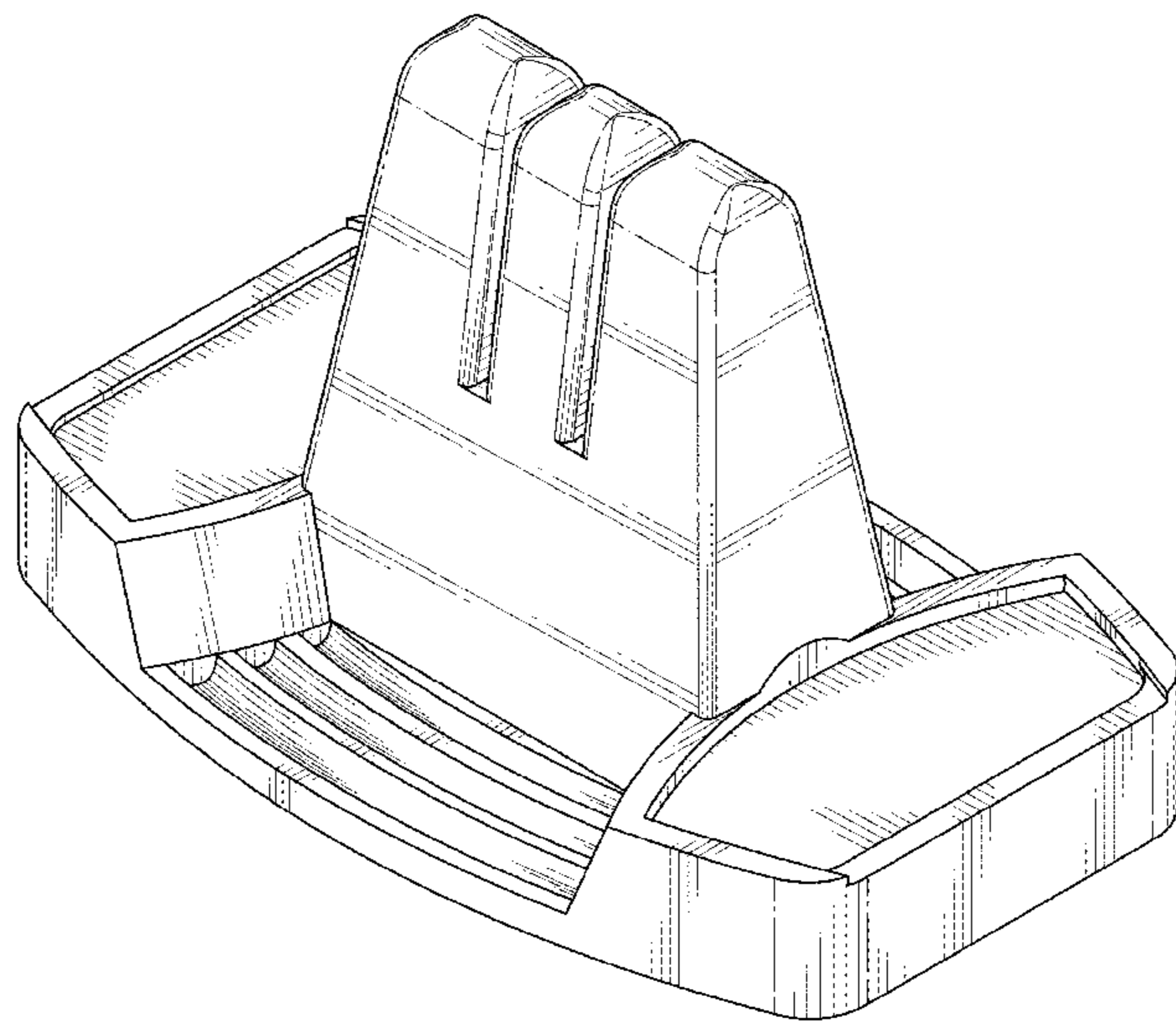
FIG. 1 is a front perspective view of a multipurpose tool rest incorporating my new design;
 FIG. 2 is a front elevation view of a multipurpose tool rest incorporating my new design;
 FIG. 3 is a rear elevation view of a multipurpose tool rest incorporating my new design;
 FIG. 4 is a left side view of a multipurpose tool rest incorporating my new design;
 FIG. 5 is a right side view of a multipurpose tool rest incorporating my new design;
 FIG. 6 is a top plan view of a multipurpose tool rest incorporating my new design; and,
 FIG. 7 is a bottom plan view of a multipurpose tool rest incorporating my new design.

1 Claim, 4 Drawing Sheets

(56) **References Cited**

U.S. PATENT DOCUMENTS

- D255,771 S * 7/1980 Cruz D15/140
- D262,862 S * 2/1982 Lytle D8/71
- 4,333,623 A * 6/1982 May B05C 17/00523
248/117.2
- D303,611 S * 9/1989 Spirk, Jr. D8/14.1
- D306,521 S * 3/1990 Kenney D3/215
- 4,998,698 A * 3/1991 Martinson B05C 17/00523
211/60.1
- D406,513 S * 3/1999 Knapp D8/71
- D413,502 S * 9/1999 Chang D8/71
- D433,301 S * 11/2000 Pack D8/71
- D434,615 S * 12/2000 Chien D7/637
- D476,197 S * 6/2003 Kaposi D7/637
- D480,938 S * 10/2003 Whitley D8/71
- D516,402 S * 3/2006 Gates B60R 11/00
D8/71



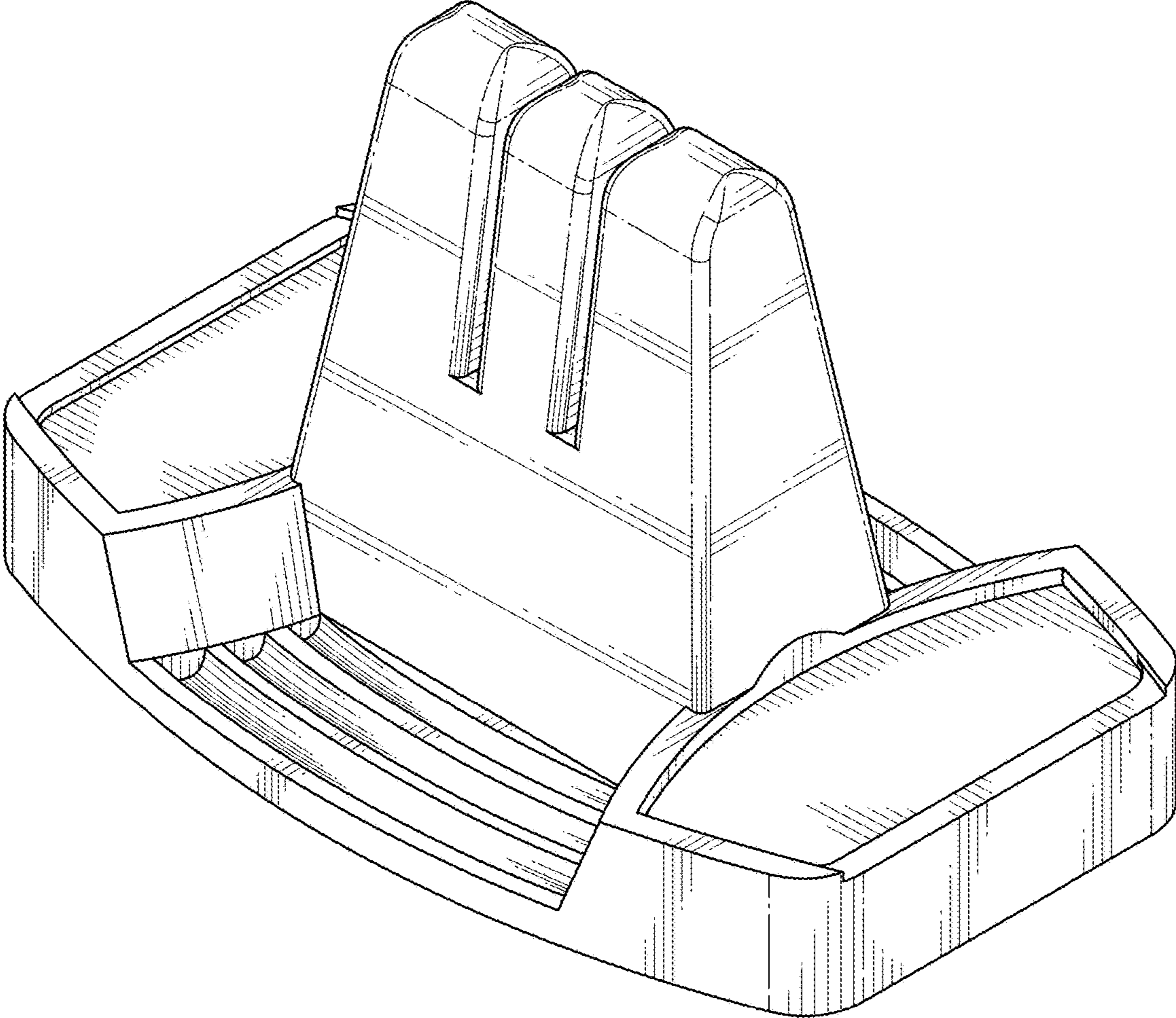


FIG. 1

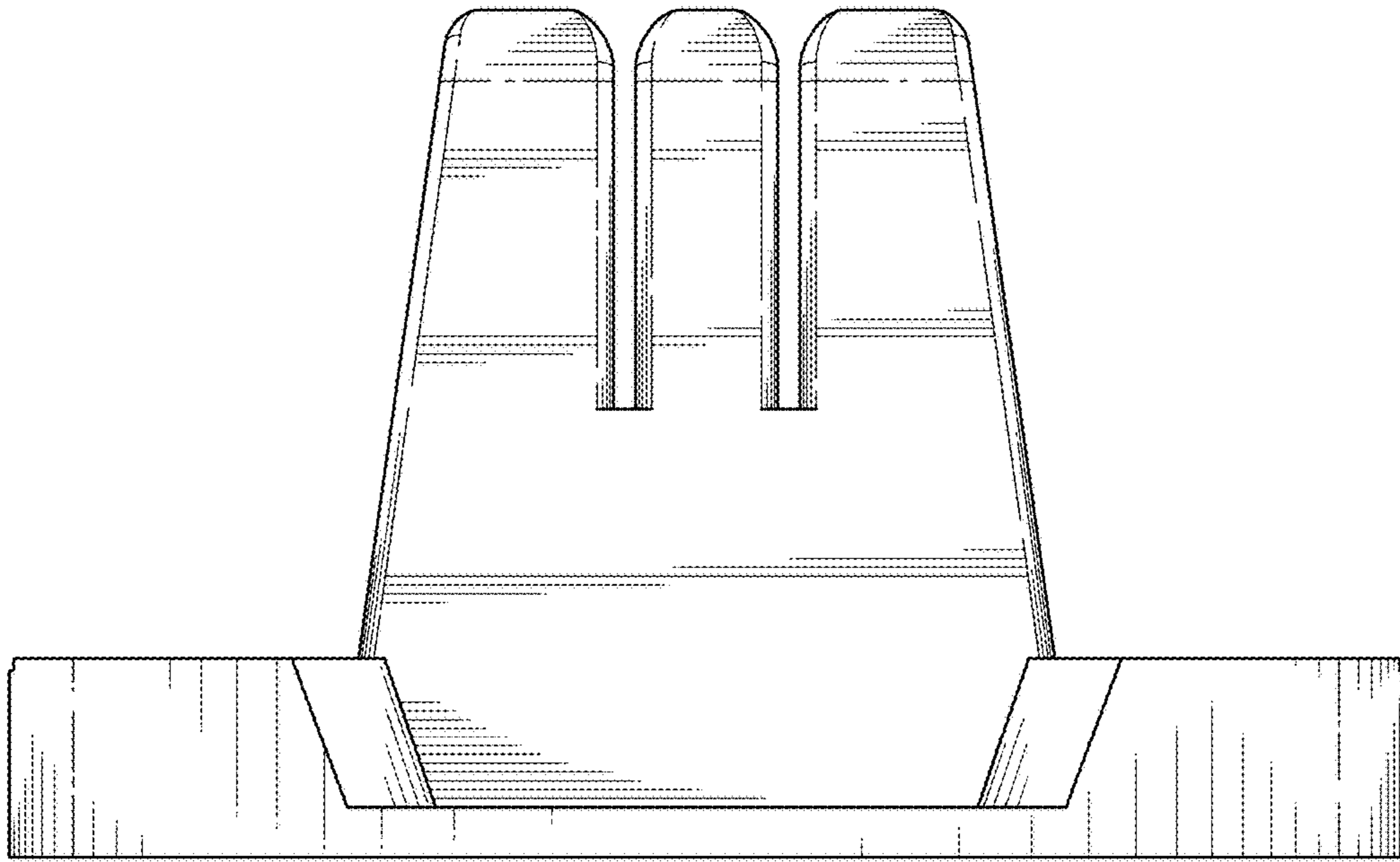


FIG. 2

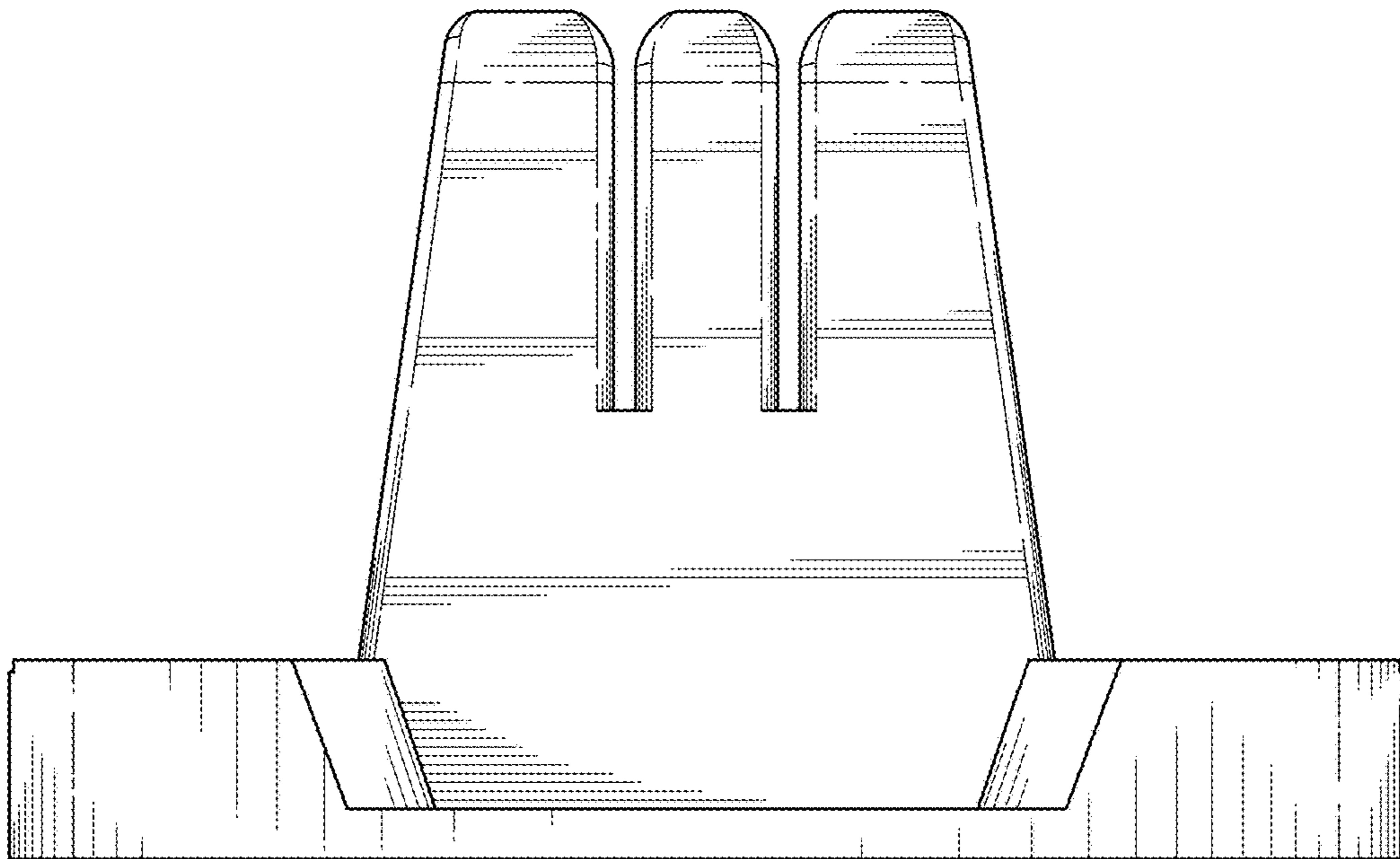


FIG. 3

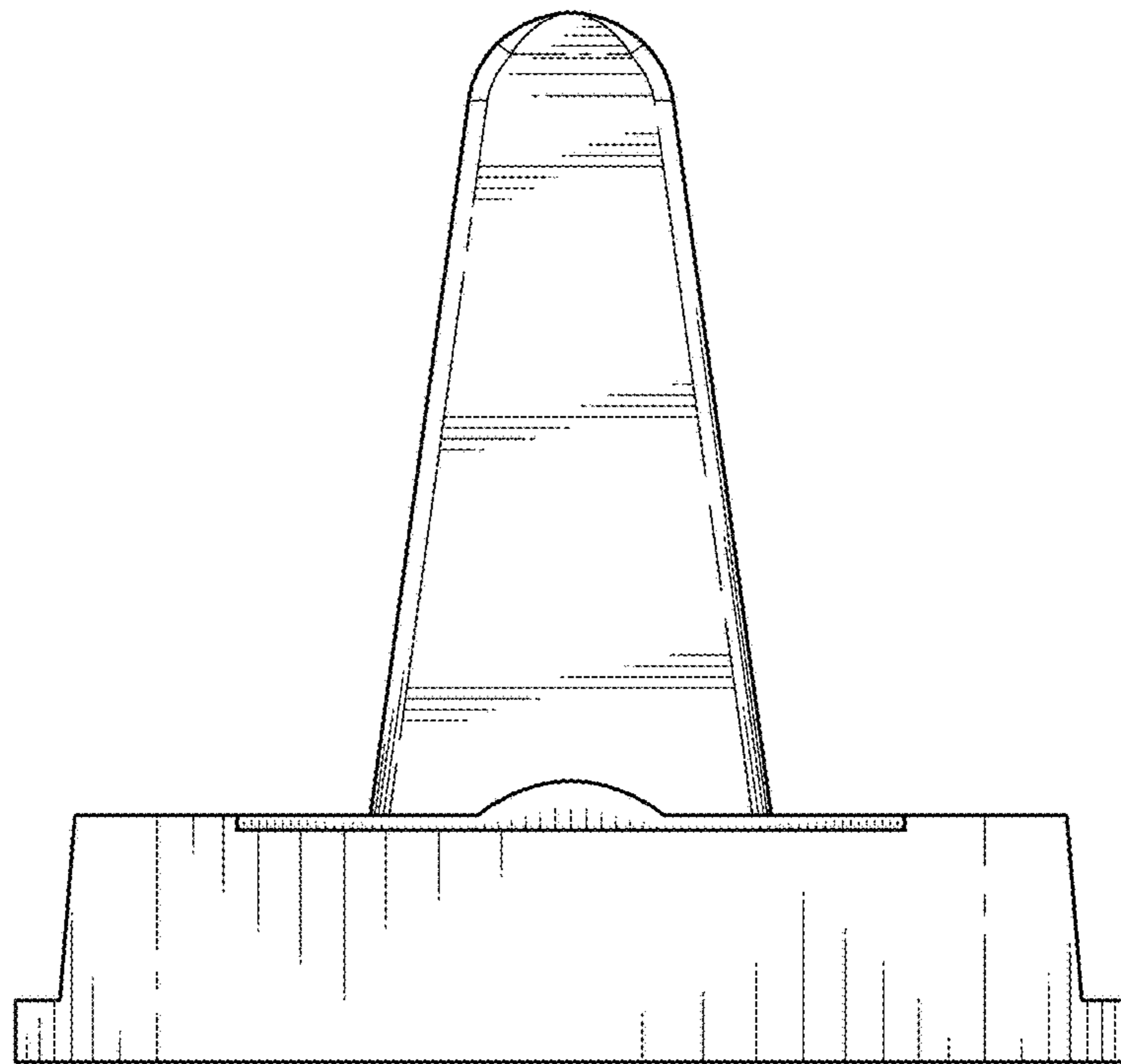


FIG. 4

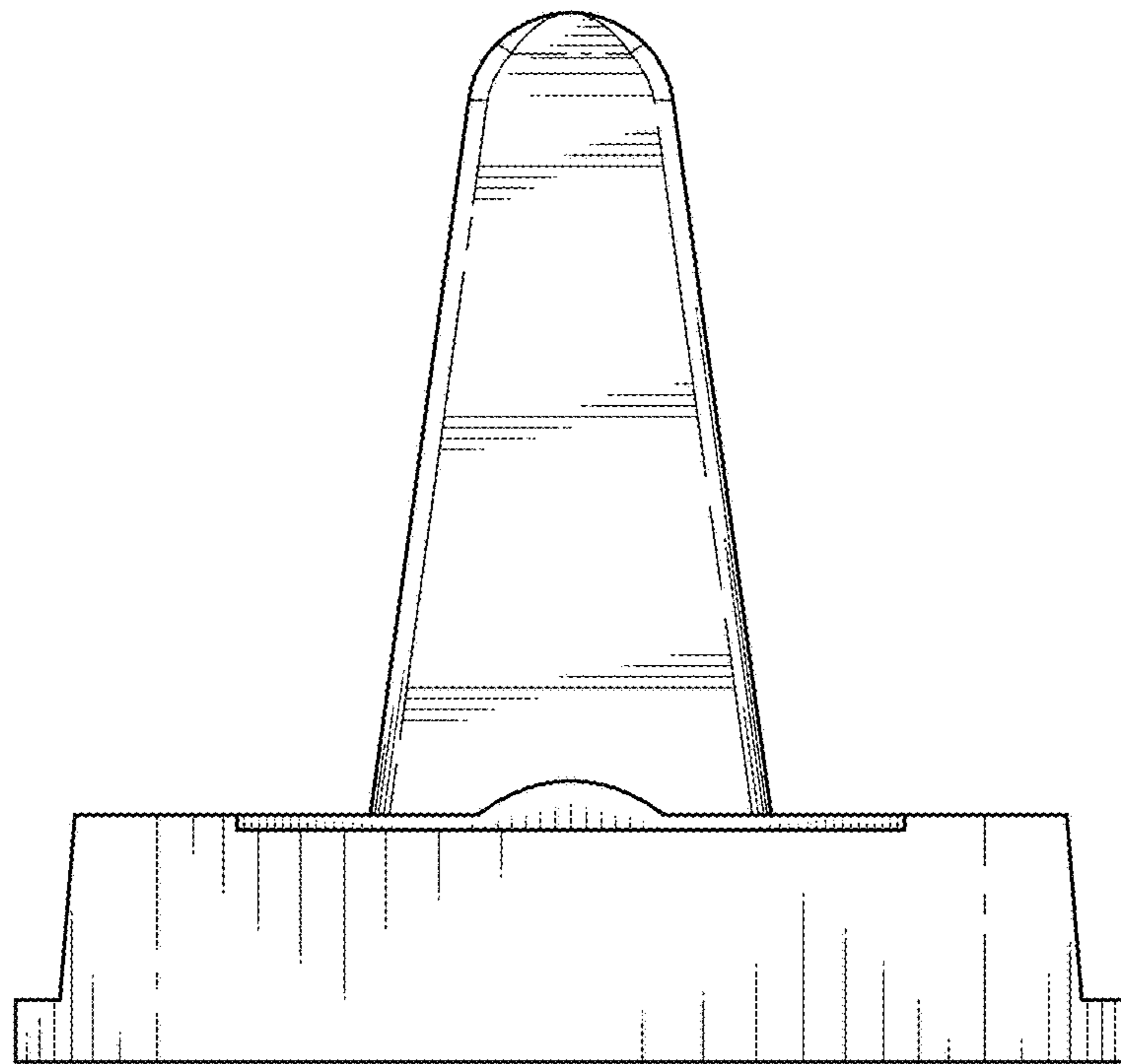


FIG. 5

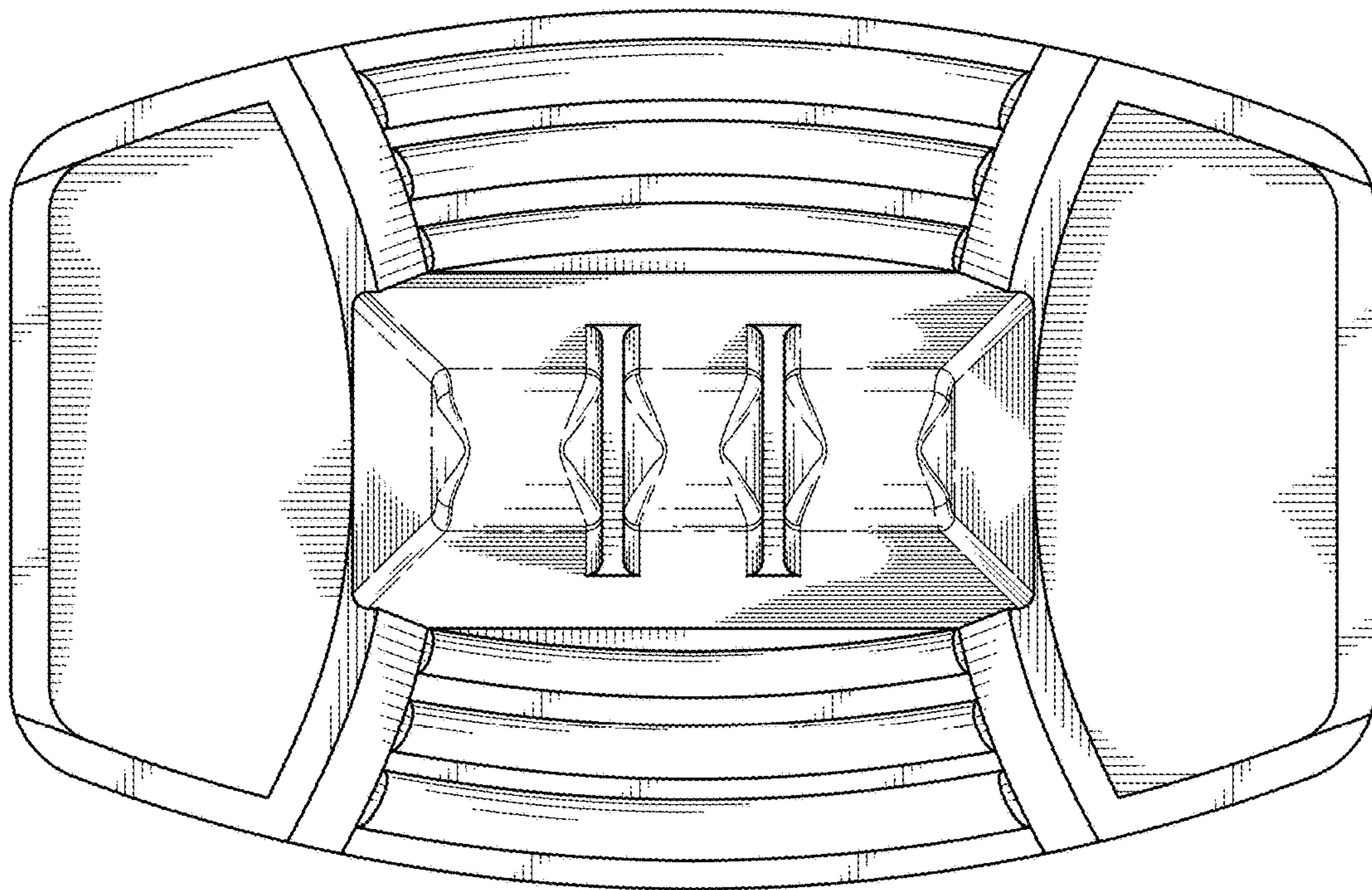


FIG. 6

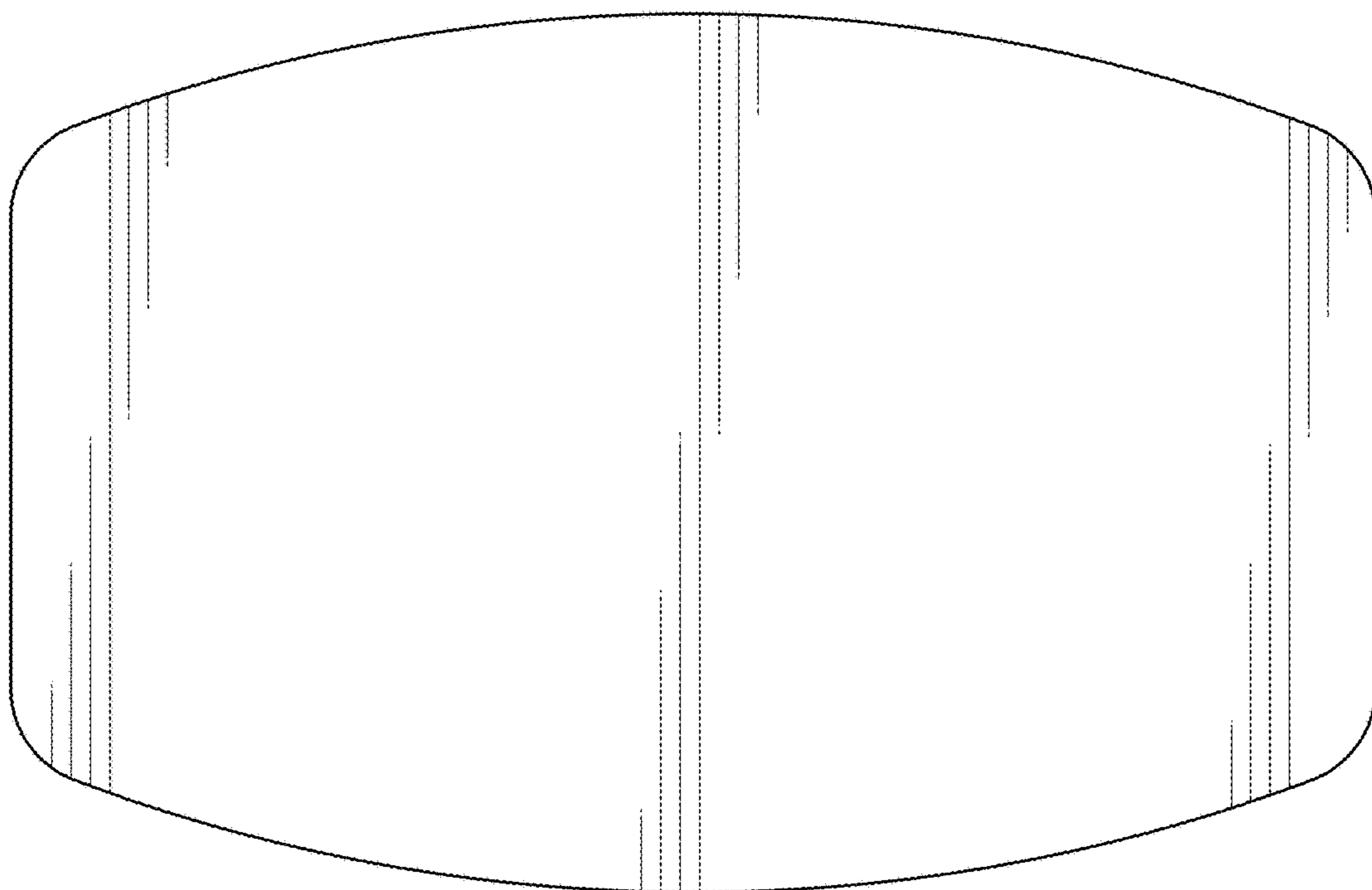


FIG. 7