



US00D808234S

(12) **United States Design Patent**  
**Lane**

(10) **Patent No.:** **US D808,234 S**  
(45) **Date of Patent:** **\*\* Jan. 23, 2018**

(54) **SET OF FOOD SPREADERS**  
(71) Applicant: **Randy Lane**, Lakeland, FL (US)  
(72) Inventor: **Randy Lane**, Lakeland, FL (US)  
(\*\*) Term: **15 Years**

4,924,444 A 5/1990 Castellanos  
D321,303 S \* 11/1991 Augustino ..... D7/688  
D343,100 S \* 1/1994 Jenkinson ..... D7/688  
D366,178 S \* 1/1996 Edwards ..... D7/644  
6,012,227 A 1/2000 Lent  
8,321,989 B1 \* 12/2012 McClanahan ..... B44D 3/162  
15/236.01  
2013/0181467 A1 \* 7/2013 Truesdell ..... A47G 21/04  
294/176

(21) Appl. No.: **29/585,260**  
(22) Filed: **Nov. 22, 2016**  
(51) **LOC (11) Cl.** ..... **07-04**  
(52) **U.S. Cl.**  
USPC ..... **D7/688**  
(58) **Field of Classification Search**  
USPC ..... D7/669-671, 368, 680-696, 393, 395;  
D8/45; D32/46, 49  
CPC ..... A47J 43/288; A47J 43/281; A47G 21/04;  
B44D 3/162; B44D 3/164  
See application file for complete search history.

**FOREIGN PATENT DOCUMENTS**

WO 2008009126 A2 3/2008  
\* cited by examiner

*Primary Examiner* — Terry A Wallace

(57) **CLAIM**

I claim the ornamental design for a set of food spreaders, as shown and described.

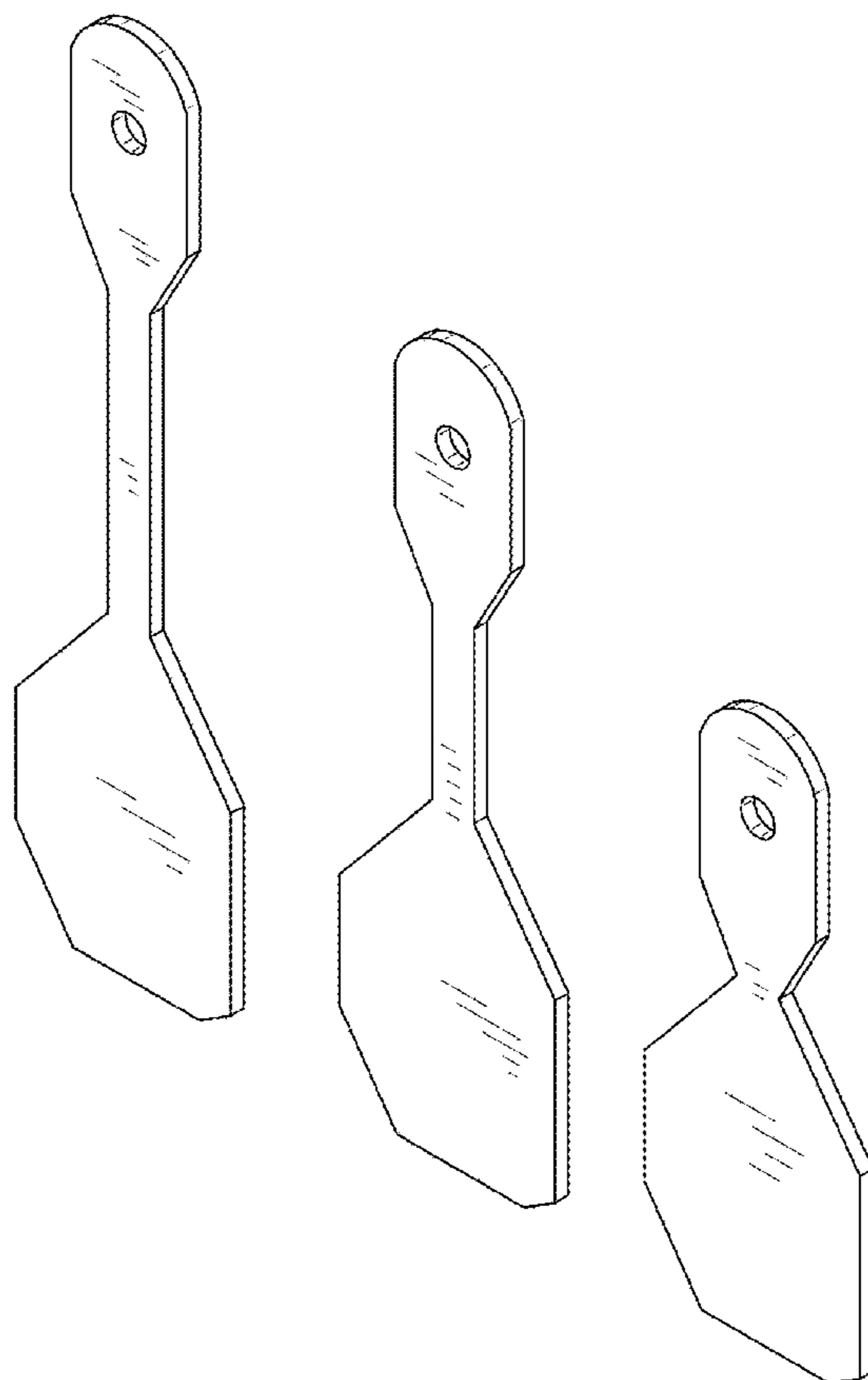
**DESCRIPTION**

FIG. 1 is a front view of the set of food spreaders.  
FIG. 2 is a left side view of the claimed design.  
FIG. 3 is a right side view of the claimed design.  
FIG. 4 is a top view of the claimed design.  
FIG. 5 is a bottom view of the claimed design; and,  
FIG. 6 is a perspective view of the claimed design.

**1 Claim, 4 Drawing Sheets**

(56) **References Cited**  
**U.S. PATENT DOCUMENTS**

2,294,096 A 8/1942 Rice  
2,860,858 A 11/1958 Kurs  
D220,593 S \* 4/1971 Burnhill ..... D32/46  
D254,588 S \* 4/1980 Hogue ..... D32/49



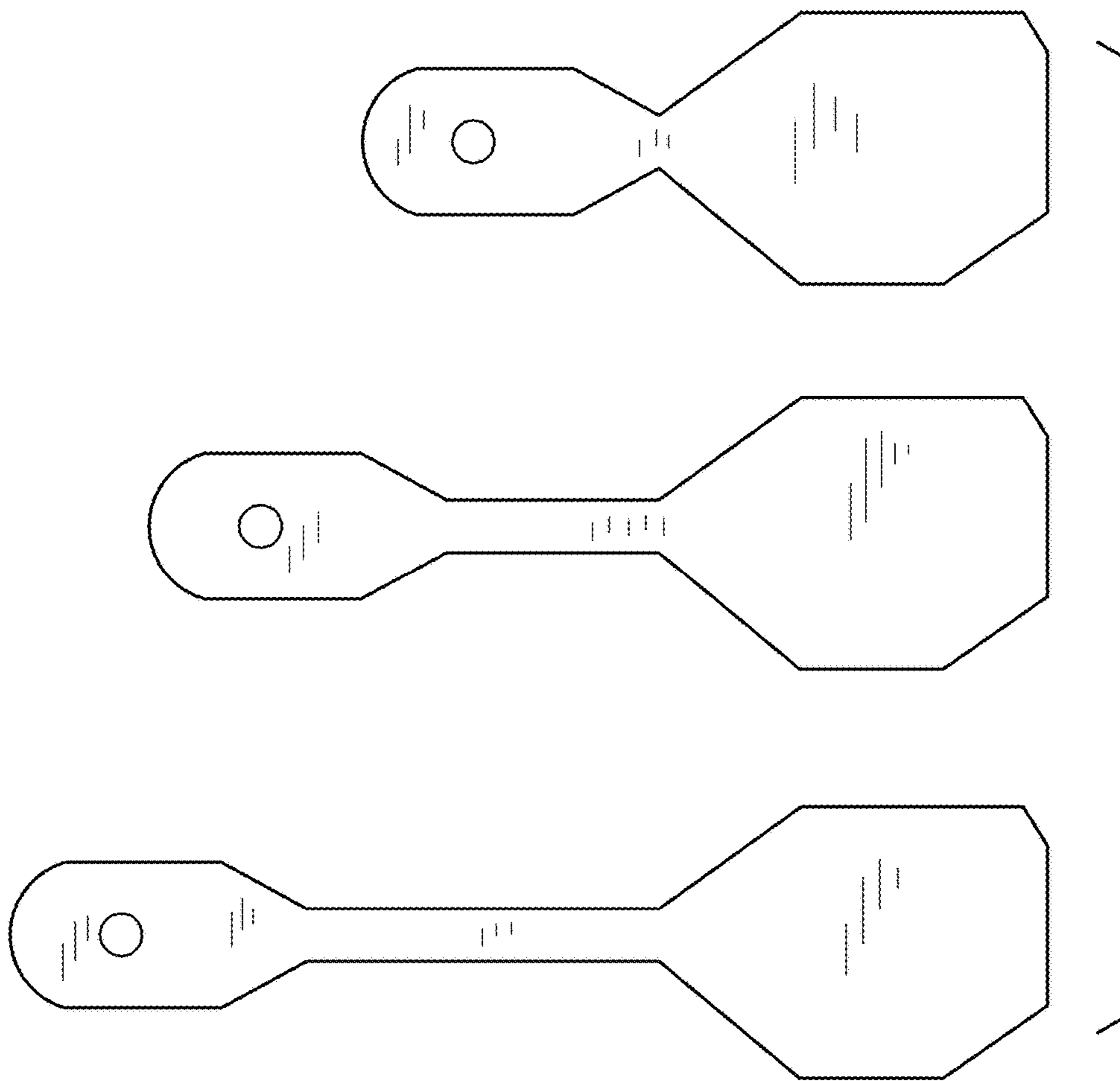


FIG. 1

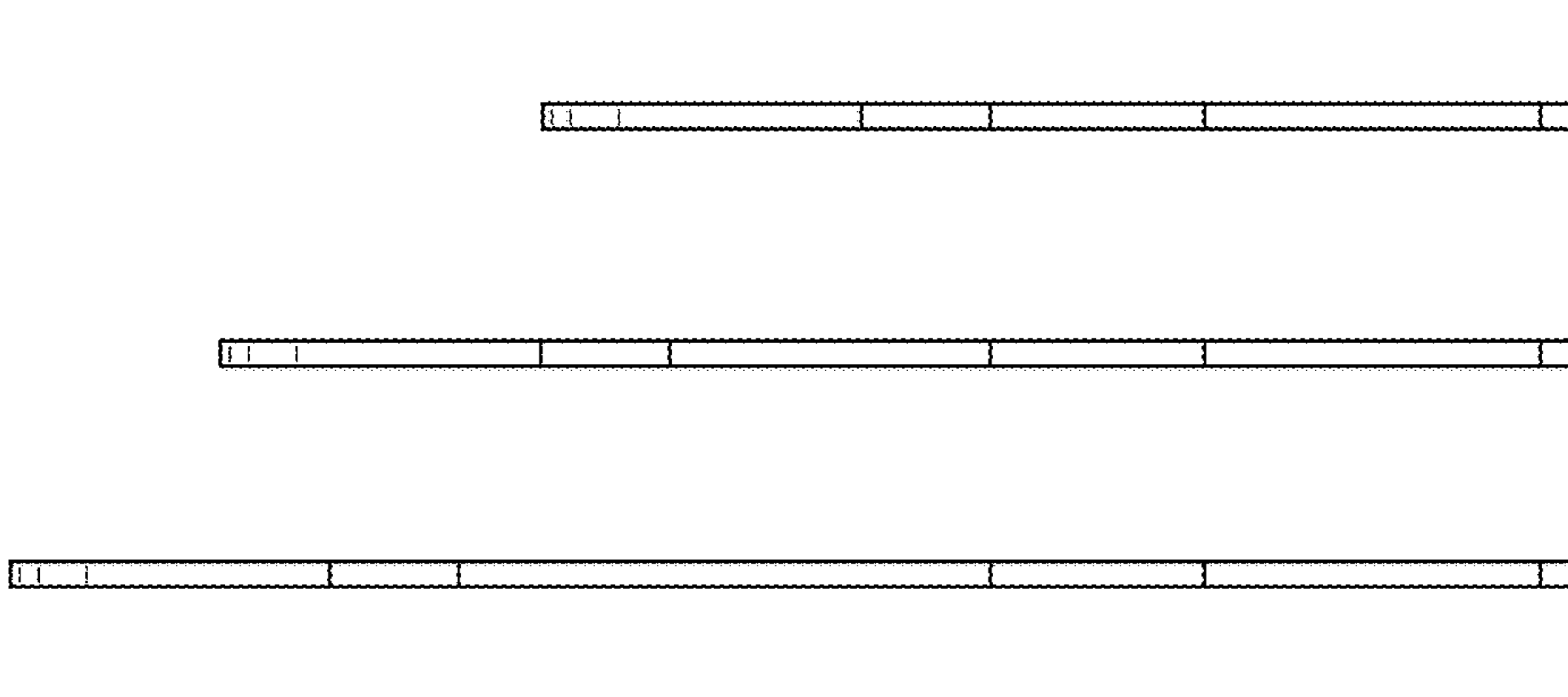


FIG. 3

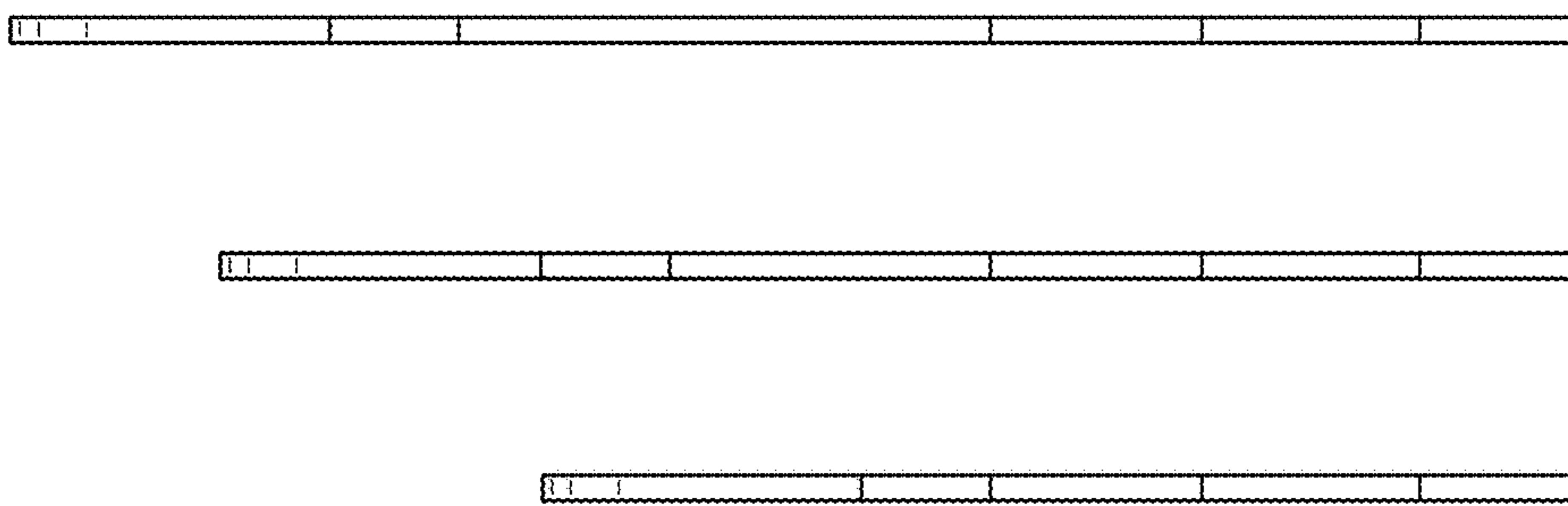


FIG. 2

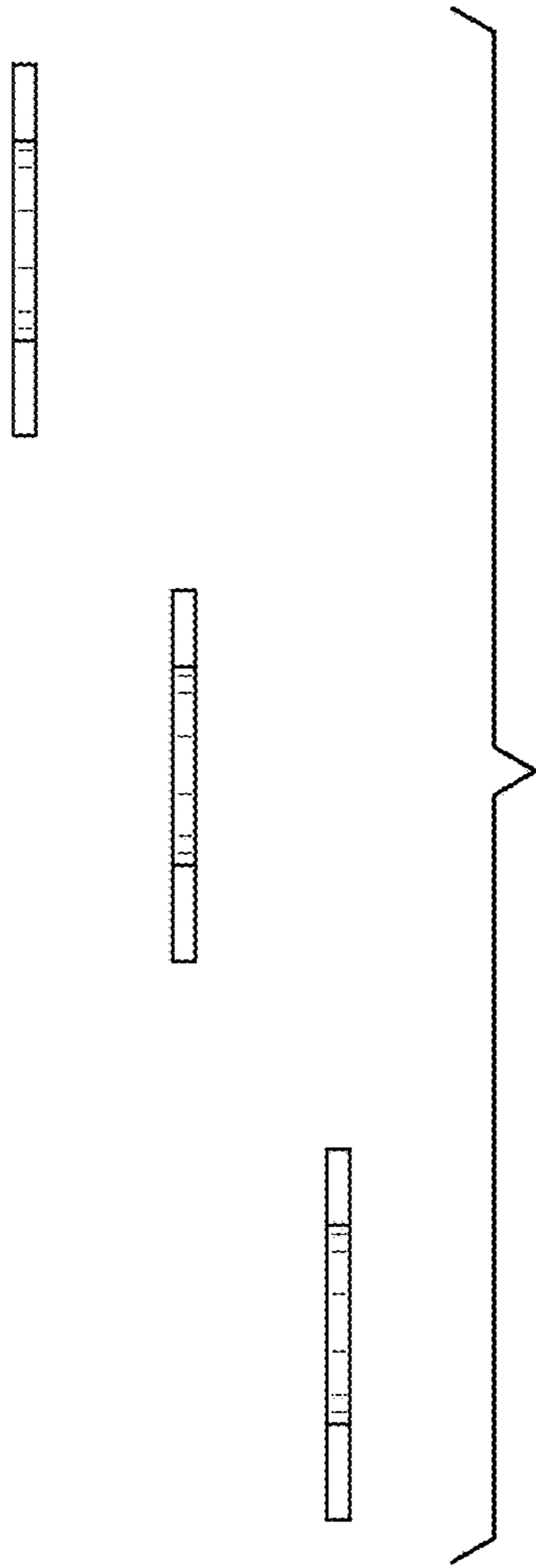


FIG. 4

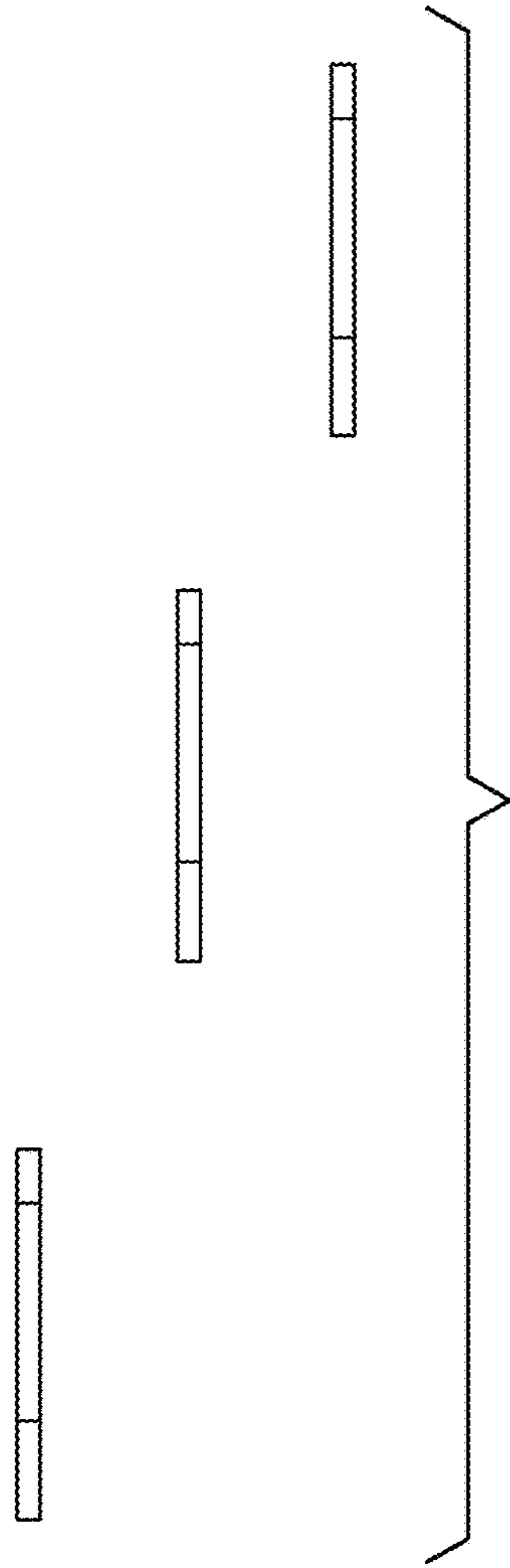


FIG. 5

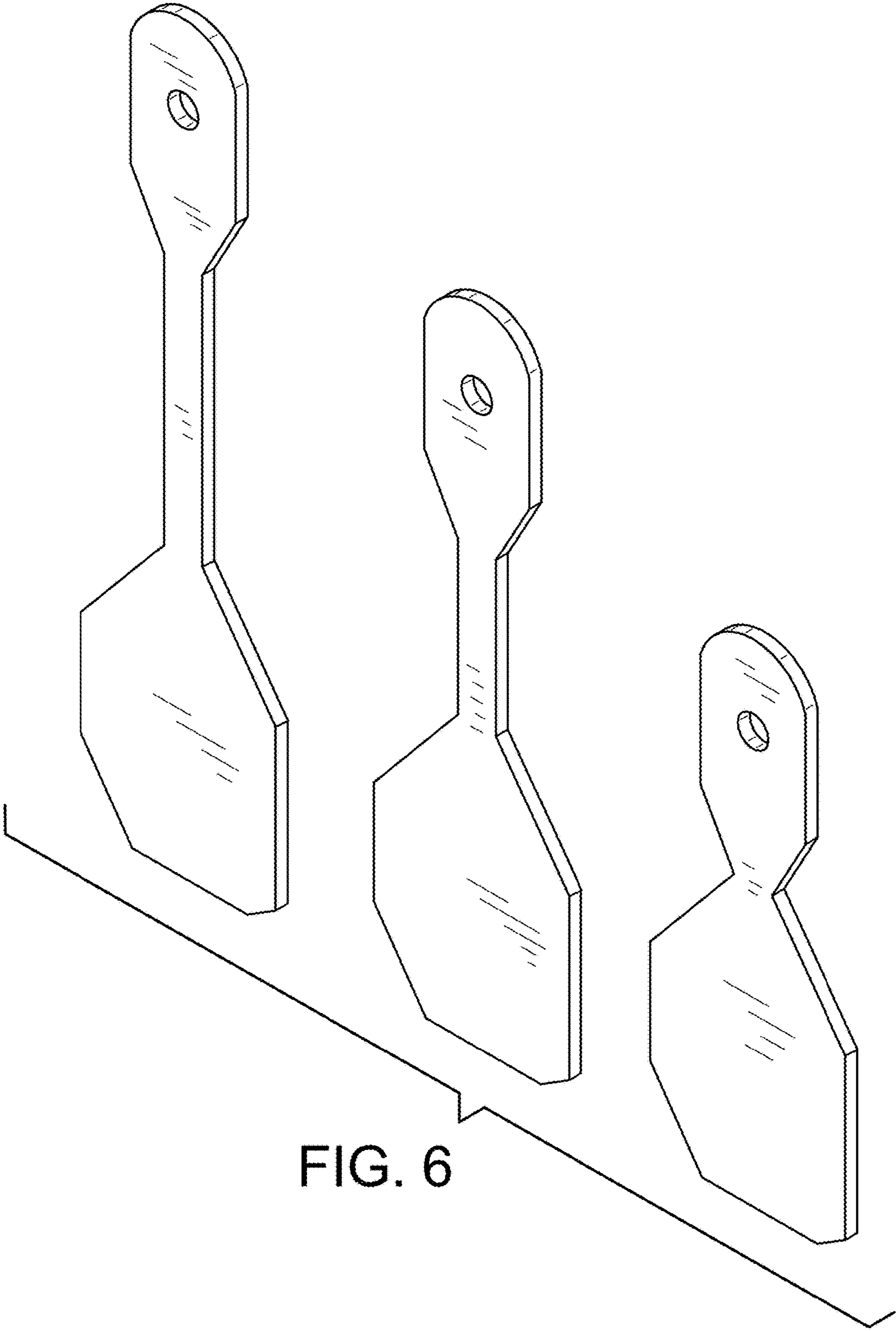


FIG. 6