



US00D808232S

(12) **United States Design Patent**  
**Liu**

(10) **Patent No.:** **US D808,232 S**  
(45) **Date of Patent:** **\*\* Jan. 23, 2018**

- (54) **DESERT FORK**
- (71) Applicant: **JiJun Liu**, Sacramento, CA (US)
- (72) Inventor: **JiJun Liu**, Sacramento, CA (US)
- (73) Assignee: **JiJun Liu**, Sacramento, CA (US)
- (\*\*) Term: **15 Years**
- (21) Appl. No.: **29/620,430**
- (22) Filed: **Dec. 7, 2016**
- (51) **LOC (11) Cl.** ..... **07-03**
- (52) **U.S. Cl.**  
USPC ..... **D7/653; D7/643**
- (58) **Field of Classification Search**  
USPC ..... D7/368, 401.2, 642-645, 653-664, 669,  
D7/675-677, 683, 688-689, 691;  
D8/107, 300-301; D21/576, 606-609,  
D21/625-627; D22/117-118  
CPC ... A01D 9/02; A01D 9/04; A01D 9/06; A47G  
21/00; A47G 21/004; A47G 21/005;  
A47G 21/02; A47G 21/023; A47G 21/04;  
A47G 21/06; A47G 21/08; A47J 43/28;  
A47J 43/281; A47J 43/282; A47J 43/284;  
A61F 13/10; A61J 7/0023; B25G 1/00;  
B25G 1/01; B25G 1/02; B25G 3/00;  
B65D 75/56; B65D 75/563; B65D  
75/566; B67B 7/00; B67B 7/24; B67B  
7/724; B67B 7/73  
See application file for complete search history.

- (56) **References Cited**  
U.S. PATENT DOCUMENTS  
202,757 A \* 4/1878 Reese ..... A47G 21/06  
30/147  
D58,881 S \* 9/1921 Canellas ..... 30/150

1,699,248 A *	1/1929	Pasal .....	A47G 21/02	30/148
D93,956 S *	11/1934	Wilson .....	30/150	
2,473,288 A *	6/1949	McNeill .....	A47G 21/02	30/147
D169,830 S *	6/1953	St. Clair .....	30/321	
4,338,338 A *	7/1982	Popkes .....	A47G 21/004	426/110
4,896,423 A *	1/1990	Kinsey .....	A47G 21/02	30/322
6,119,351 A *	9/2000	Vanderputt .....	A47G 21/02	30/147
D761,627 S *	7/2016	Waters .....	D7/653	
D762,089 S *	7/2016	Waters .....	D7/653	
D778,689 S *	2/2017	Grewal .....	D7/642	
2008/0201959 A1 *	8/2008	Kent .....	A47G 21/02	30/147

\* cited by examiner

*Primary Examiner* — Ricky Pham

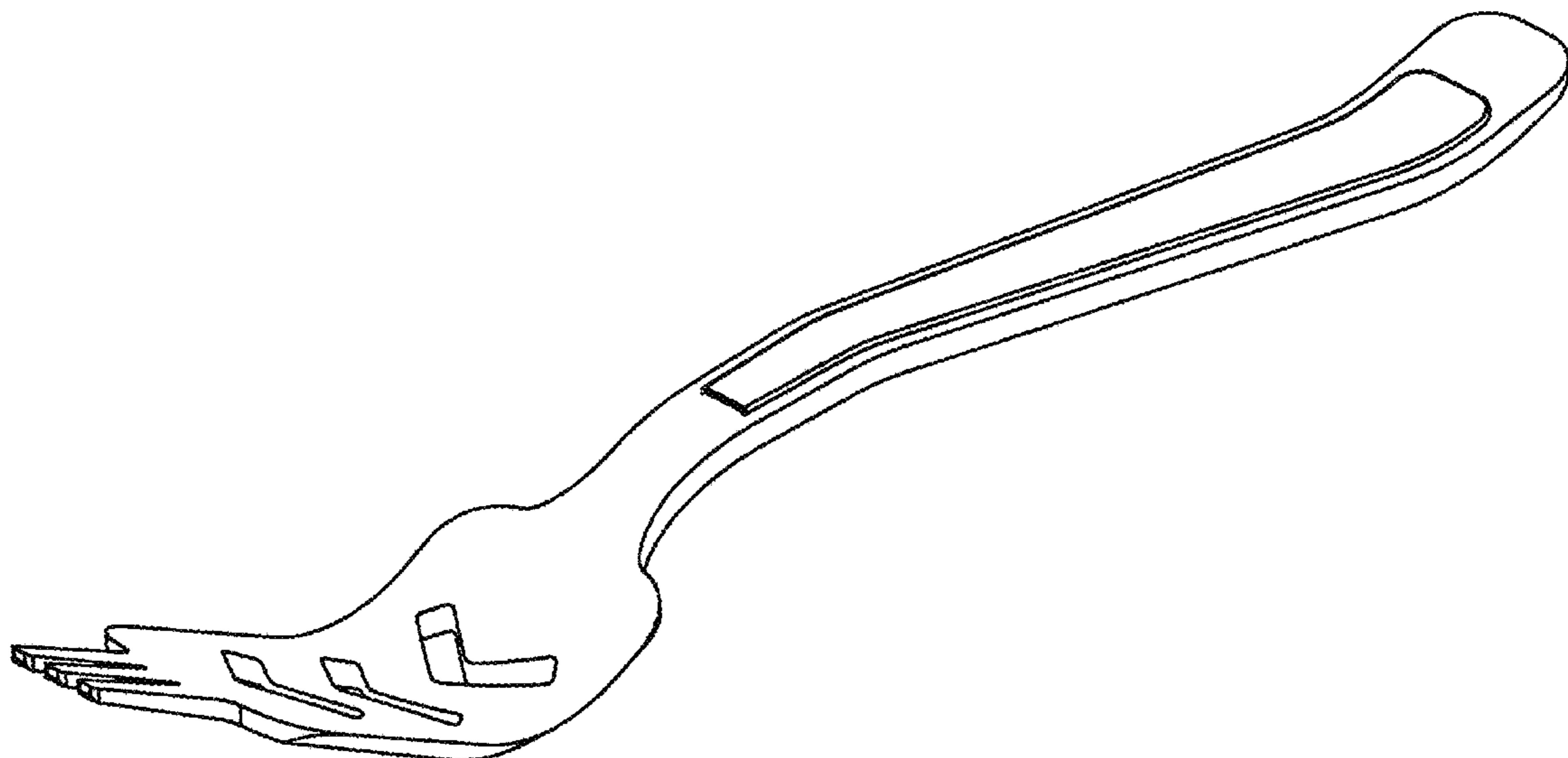
(57) **CLAIM**

The ornamental design for a desert fork, as shown and described.

**DESCRIPTION**

FIG. 1 is a side view of the dessert fork showing my new design, the opposite side view being a mirror image thereof. FIG. 2 is a top plan view of the dessert fork with chevron pattern. FIG. 3 is a bottom plan view of the dessert fork with chevron slot pattern. FIG. 4 is an enlarged front view of the dessert fork with chevron slot pattern. FIG. 5 is an enlarged rear view of the dessert fork with chevron slot pattern; and, FIG. 6 is a perspective view of the dessert fork chevron slot pattern.

**1 Claim, 6 Drawing Sheets**



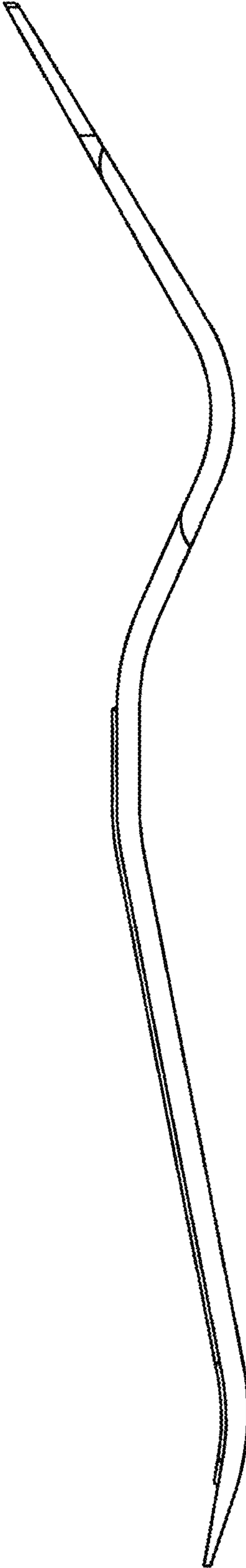


FIG. 1

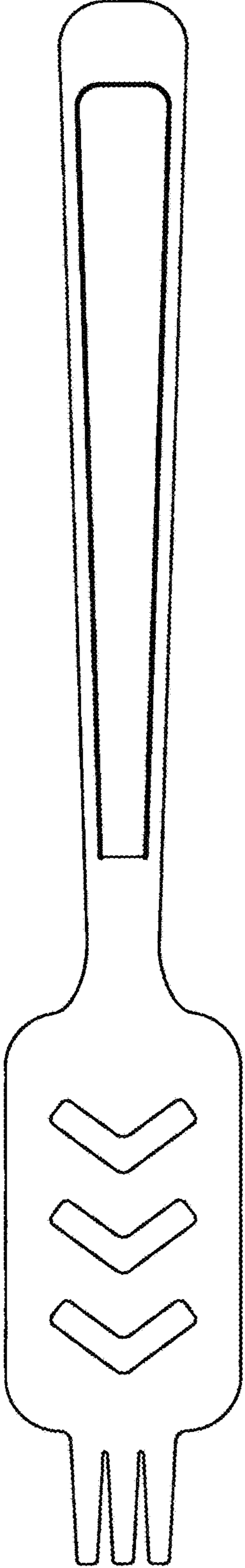


FIG. 2

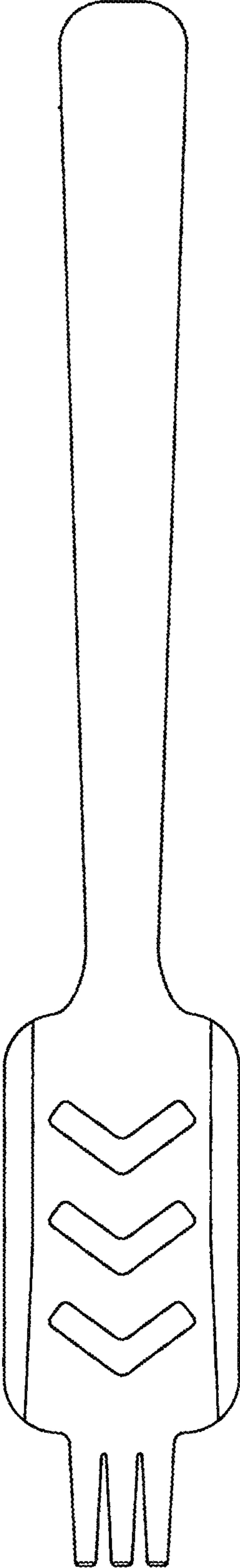


FIG. 3

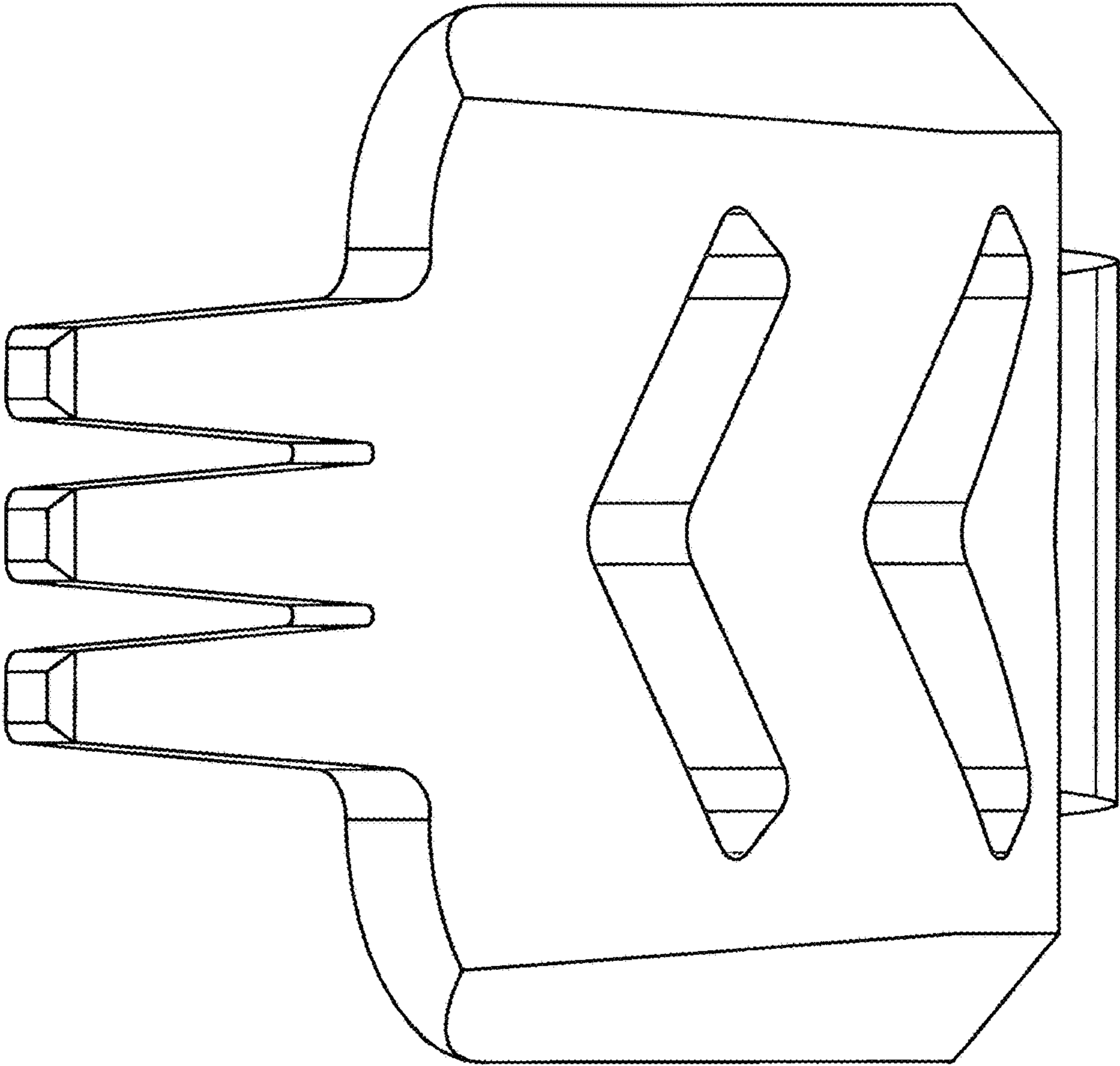


FIG. 4

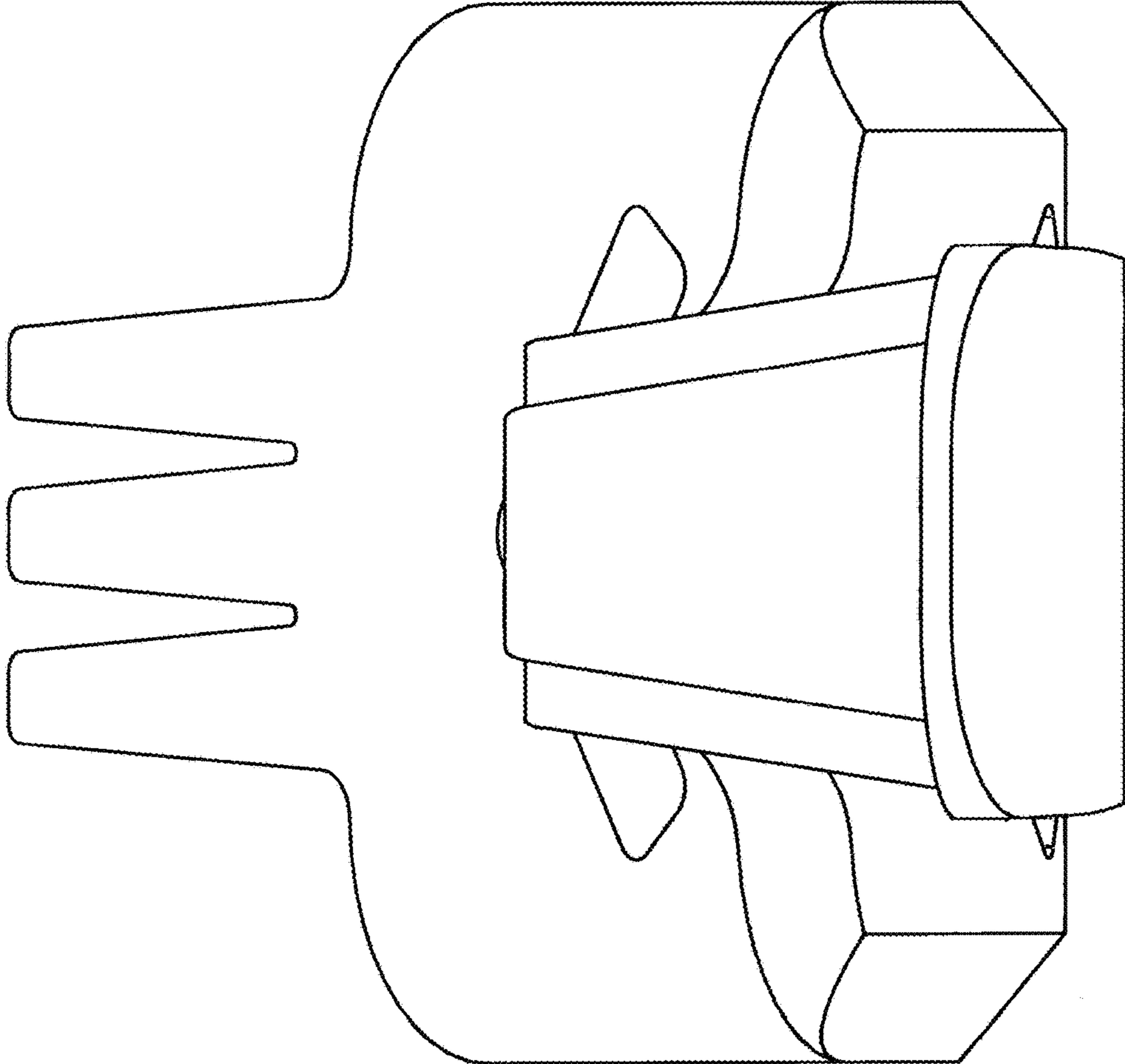


FIG. 5

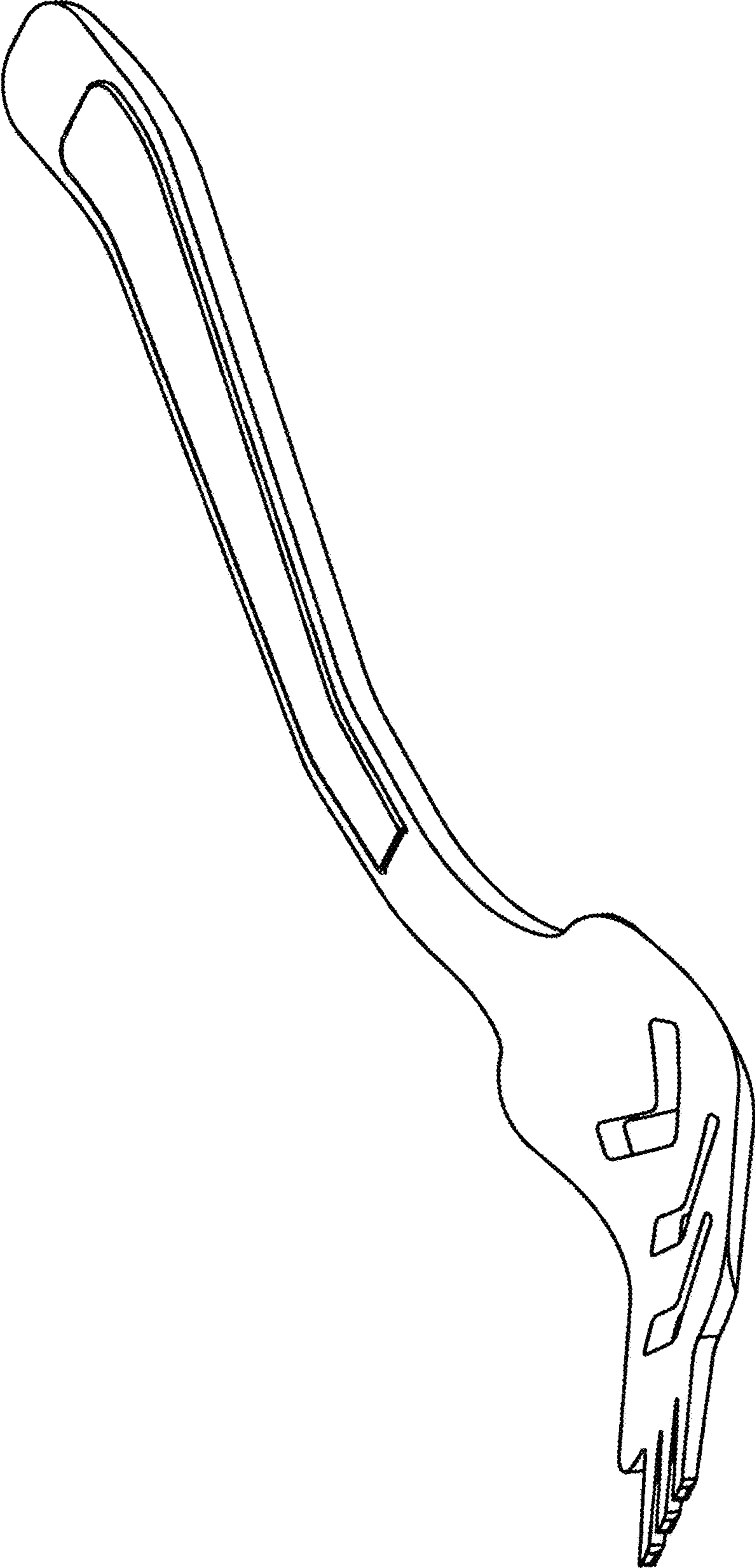


FIG. 6