



US00D808230S

(12) **United States Design Patent** (10) **Patent No.:** **US D808,230 S**  
**Leggett** (45) **Date of Patent:** **\*\* \*Jan. 23, 2018**

(54) **KNIFE BLOCK**  
(71) Applicant: **Henry Leggett**, San Francisco, CA (US)  
(72) Inventor: **Henry Leggett**, San Francisco, CA (US)  
(\* ) Notice: This patent is subject to a terminal disclaimer.

D254,714 S \* 4/1980 Mascia ..... D9/767  
D323,084 S \* 1/1992 Macomber Jones ..... D6/678  
D393,960 S \* 5/1998 Geier ..... D6/678  
5,775,518 A \* 7/1998 Connor ..... A47G 21/14  
211/163  
D489,939 S \* 5/2004 Allanson ..... D7/510  
6,755,310 B1 6/2004 Hilton et al.  
D493,284 S \* 7/2004 Lee ..... D3/276  
D534,372 S \* 1/2007 Babbino ..... D6/680.2  
D574,192 S 8/2008 Schösser  
(Continued)

(\*\*) Term: **15 Years**

**OTHER PUBLICATIONS**

(21) Appl. No.: **29/555,154**

Joseph Joseph 6-Piece Knife Set with Rotating Knife Block, announced Aug. 2012, [online], site visited Sep. 29, 2016. From Internet <URL: <http://www.amazon.com>>.

(22) Filed: **Feb. 18, 2016**

(Continued)

(30) **Foreign Application Priority Data**

Jan. 25, 2016 (EM) ..... 002959163

*Primary Examiner* — Derrick Holland

(51) **LOC (11) Cl.** ..... **07-99**

*Assistant Examiner* — Janice Lim

(52) **U.S. Cl.** ..... **D7/641**

(74) *Attorney, Agent, or Firm* — Quine Intellectual Property Law Group, P.C.

(58) **Field of Classification Search**

(57) **CLAIM**

USPC ..... D7/509, 523, 558, 584, 631, 637-641;  
D9/548, 572, 782; 211/1.53, 56, 58, 70,  
211/77, 78, 131.1, 163, 70.7, 60;  
248/37.3, 37.6

The ornamental design for a knife block, as shown and described.

CPC .. A47F 5/16; A47F 7/00; A47G 21/00; A47G 21/14; B26B 3/00; B26B 27/00

**DESCRIPTION**

See application file for complete search history.

FIG. 1 is a side perspective view of a knife block showing my new design;

(56) **References Cited**

**U.S. PATENT DOCUMENTS**

D50,414 S \* 3/1917 Vilbiss ..... D7/597  
1,346,909 A \* 7/1920 Onufryk ..... A47G 21/14  
211/70.6  
2,446,016 A \* 7/1948 Lessin ..... A47G 21/14  
211/70  
2,964,201 A \* 12/1960 Huffman ..... A47F 5/02  
206/818  
4,126,366 A 11/1978 Handler et al.

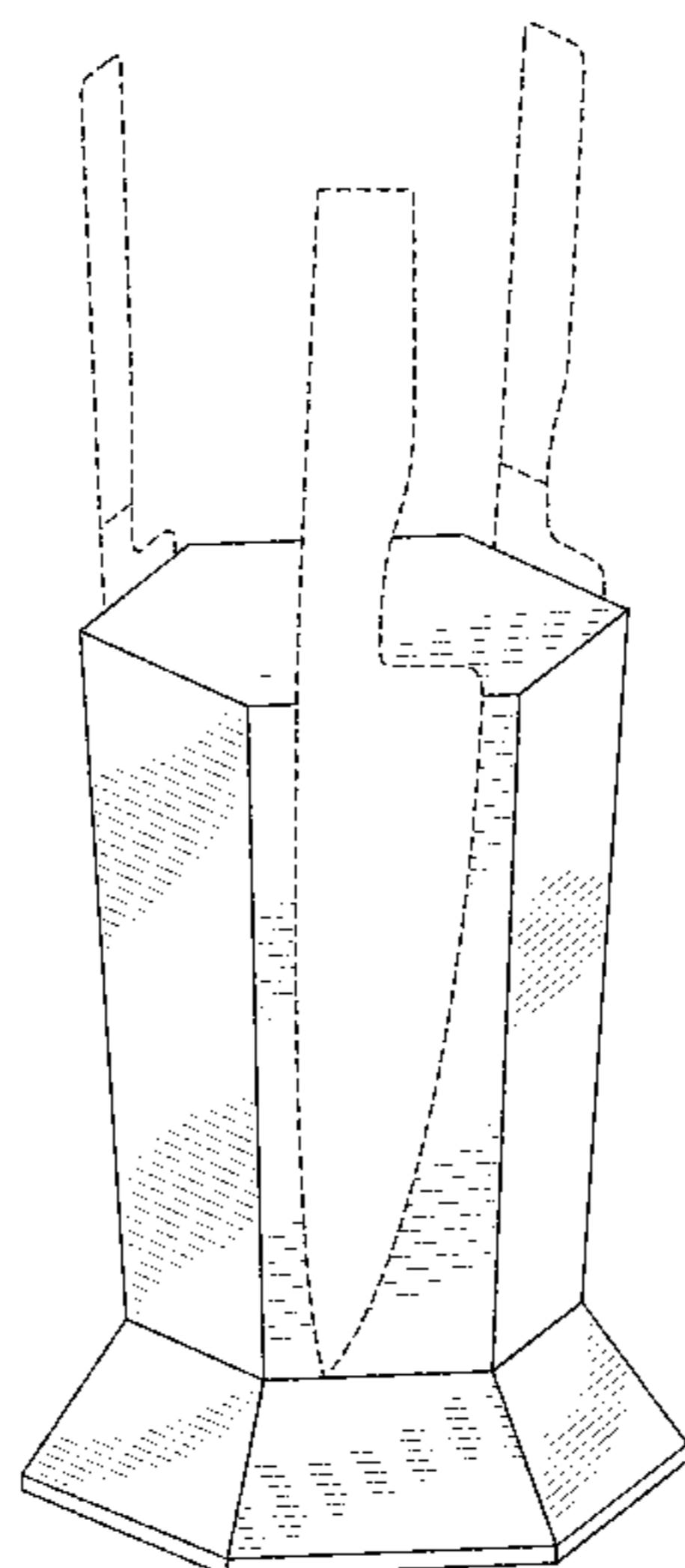
FIG. 2 is a front elevation view thereof, and the rear elevation view being a mirror image thereof;

FIG. 3 is a side elevation view thereof, and the opposite side elevation view being a mirror image thereof; and,

FIG. 4 is a top plan view thereof.

The broken line knives of FIG. 1 show unclaimed environmental subject matter only and form no part of the claimed design. The broken line portions of FIGS. 2 and 3 show unclaimed subject matter only and form no part of the claimed design.

**1 Claim, 4 Drawing Sheets**



(56)

**References Cited**

U.S. PATENT DOCUMENTS

D702,087 S \* 4/2014 Steel ..... D7/300.1  
2008/0011697 A1 1/2008 Berg

OTHER PUBLICATIONS

Youtube: "360 Knife Block—Kickstarter Video", Design Trifecta, Henry Leggett; Published Aug. 5, 2015; [https://www.youtube.com/watch?v=RSTpI\\_sBJZk](https://www.youtube.com/watch?v=RSTpI_sBJZk).

Kickstarter webpage; Henry Leggett; Published Aug. 30, 2015; <https://www.kickstarter.com/projects/2095183653/360-knife-block/updates>.

\* cited by examiner

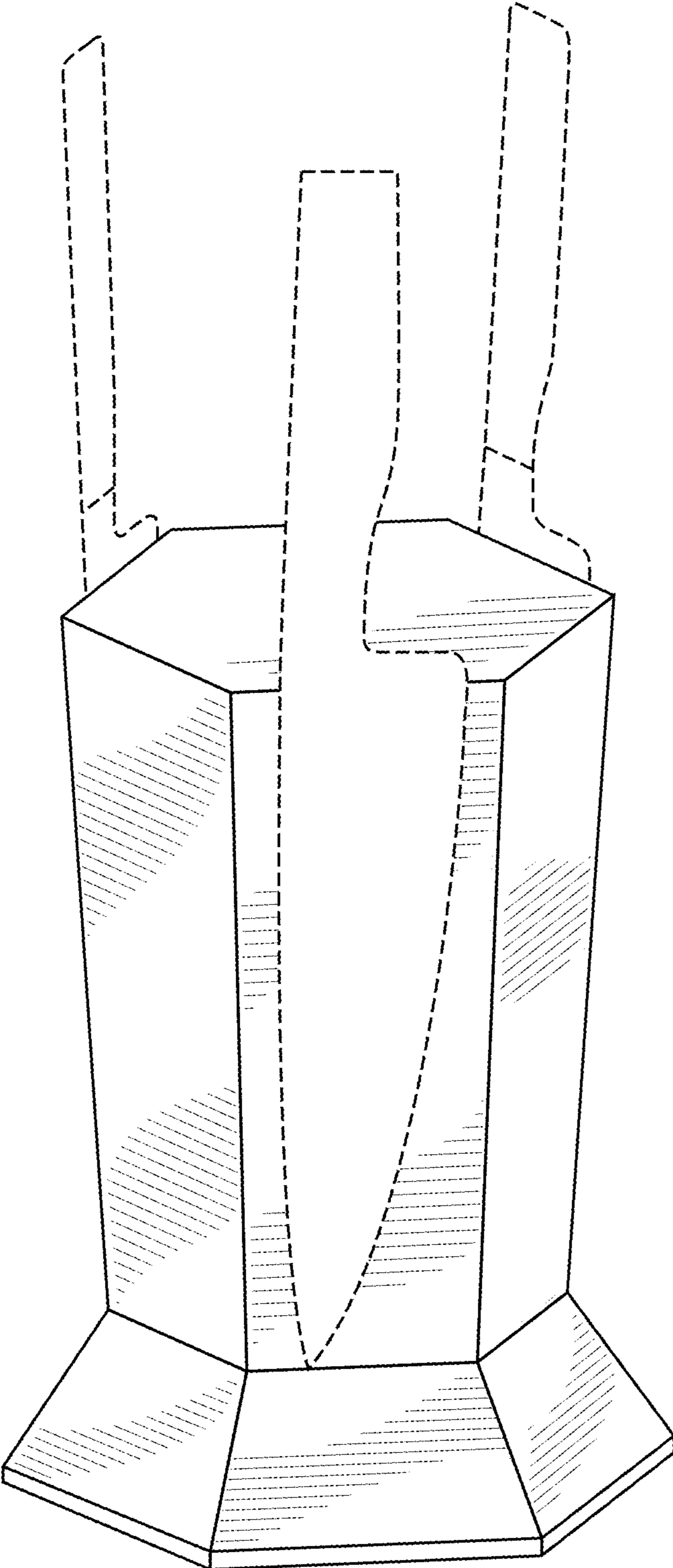


Fig. 1

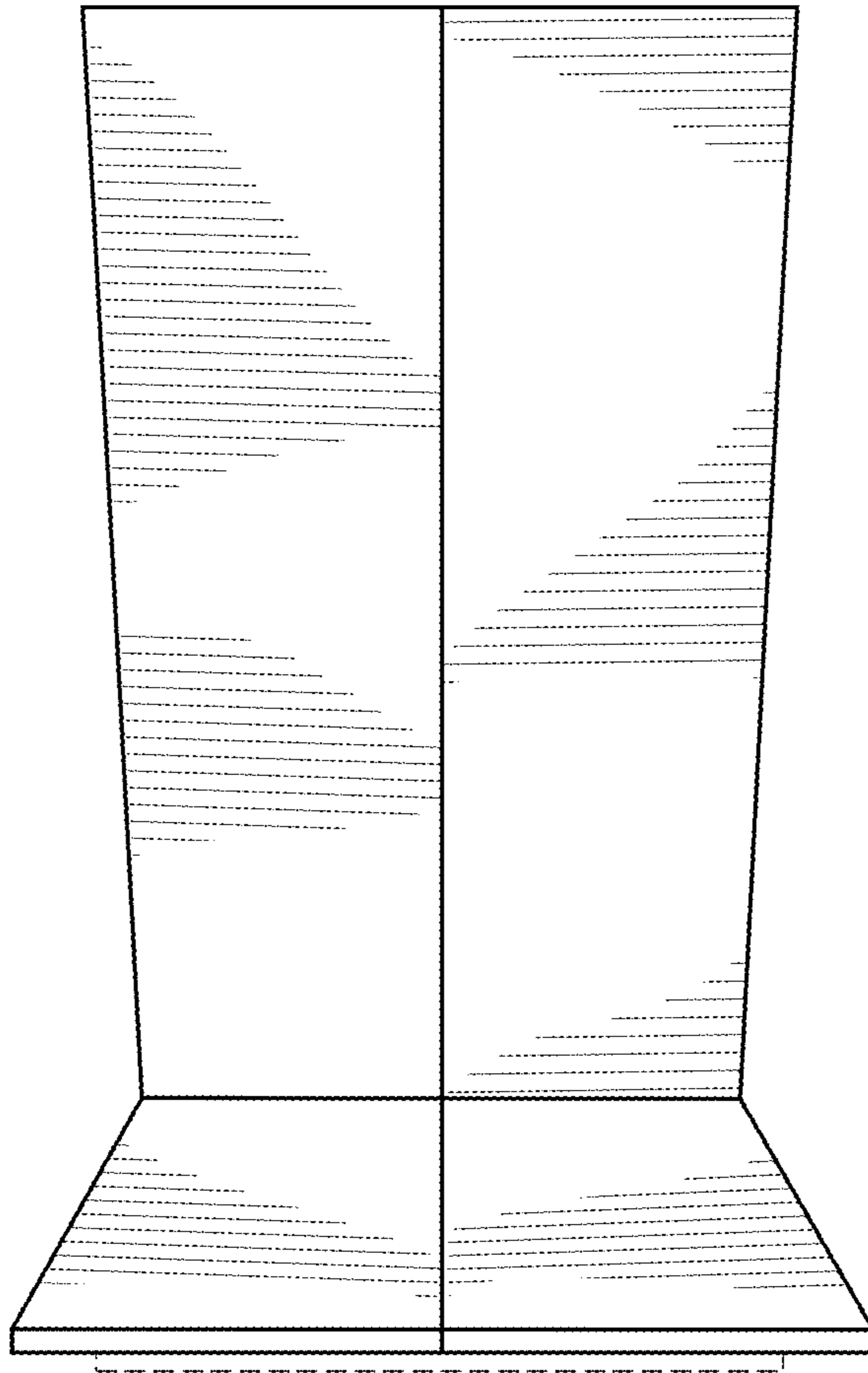


Fig. 2

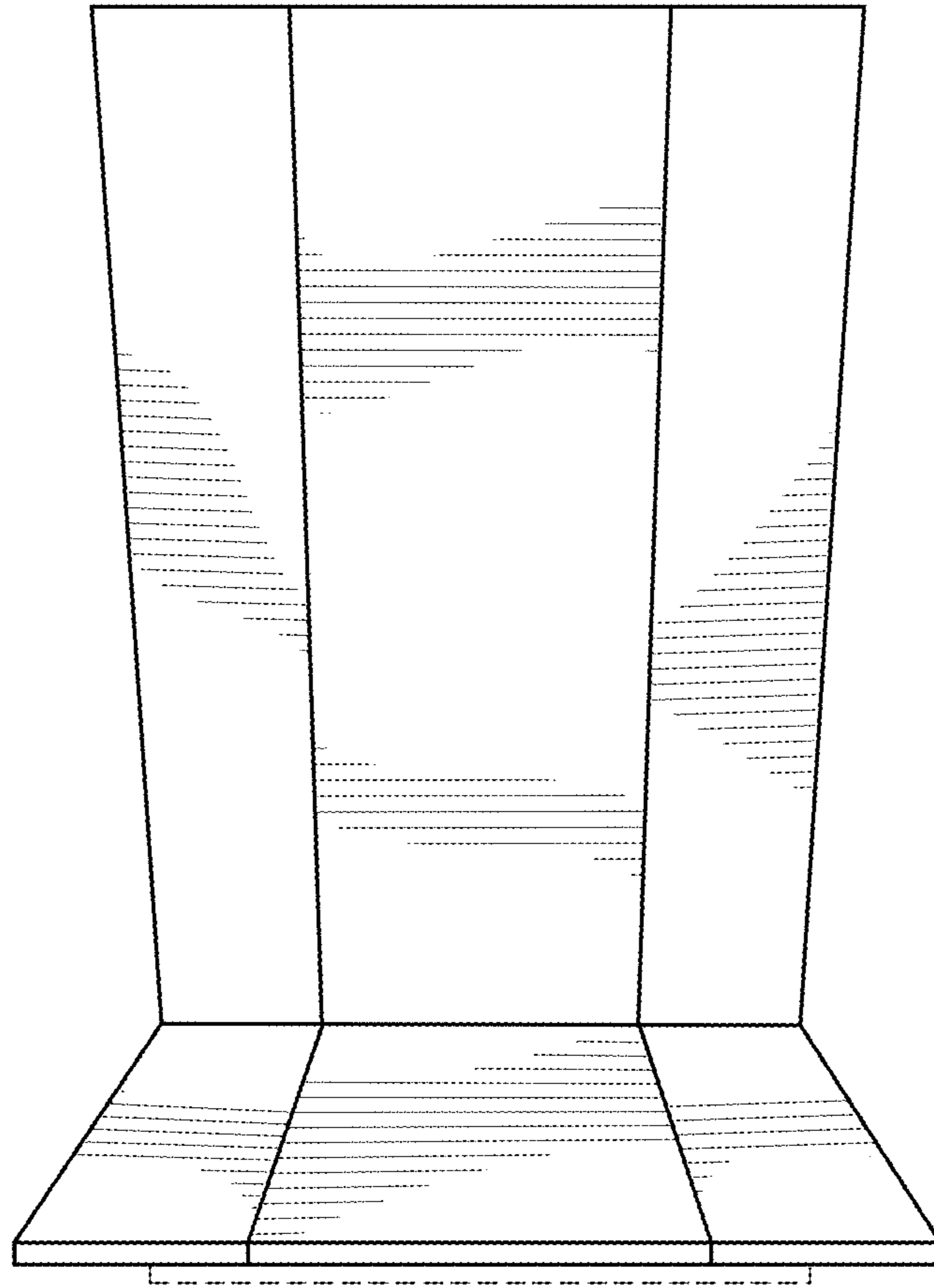


Fig. 3

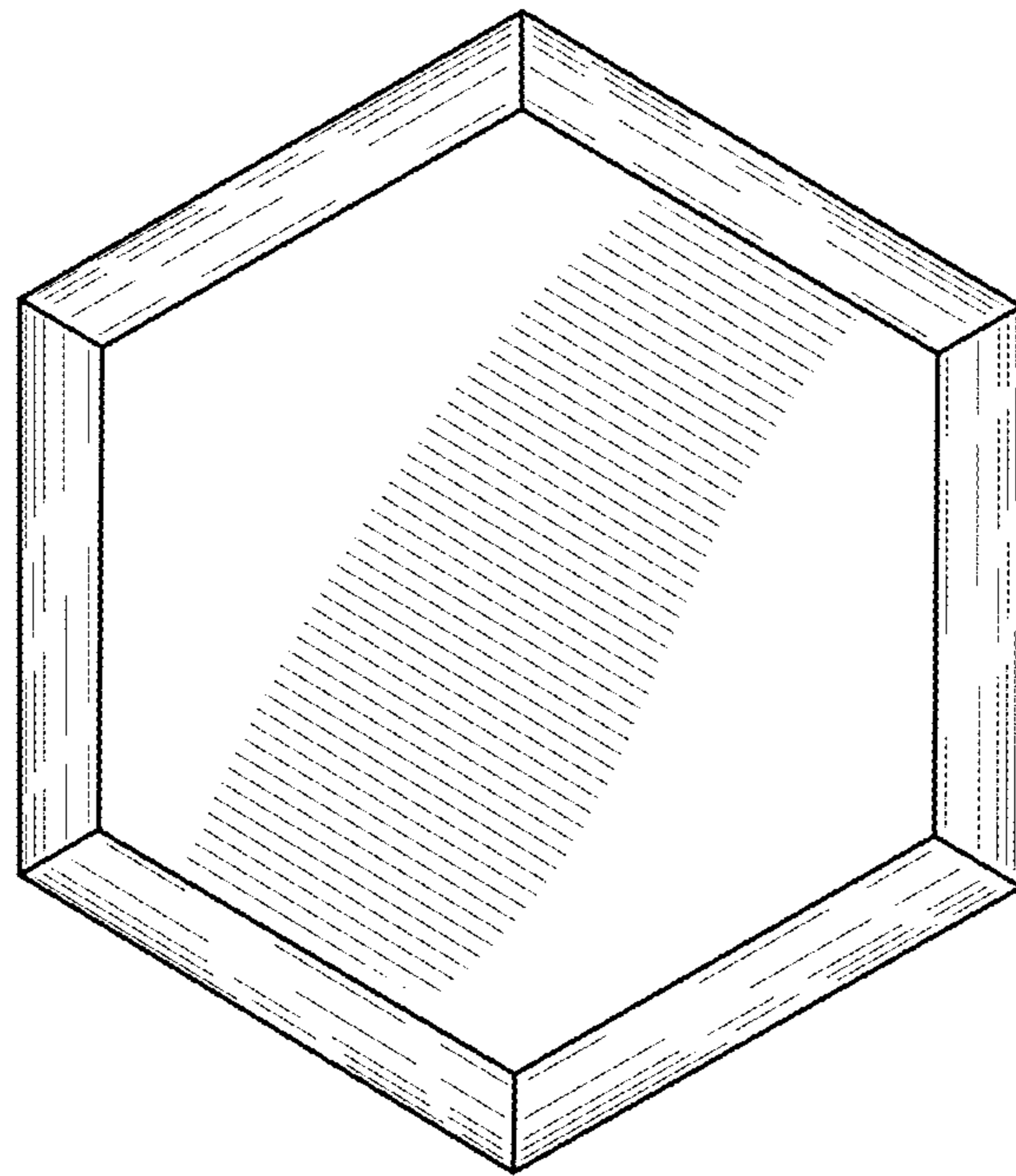


Fig. 4