



US00D808229S

(12) **United States Design Patent**  
**Leggett**

(10) **Patent No.:** **US D808,229 S**

(45) **Date of Patent:** **\*\* \*Jan. 23, 2018**

(54) **KNIFE BLOCK**

(71) Applicant: **Henry Leggett**, San Francisco, CA  
(US)

(72) Inventor: **Henry Leggett**, San Francisco, CA  
(US)

(\* ) Notice: This patent is subject to a terminal disclaimer.

(\*\*) Term: **15 Years**

(21) Appl. No.: **29/555,153**

(22) Filed: **Feb. 18, 2016**

(30) **Foreign Application Priority Data**

Jan. 25, 2016 (EM) ..... 002959163

(51) **LOC (11) Cl.** ..... **07-99**

(52) **U.S. Cl.**  
USPC ..... **D7/641**

(58) **Field of Classification Search**  
USPC ..... D7/631, 637-641; D9/782, 548, 572;  
211/1.53, 56, 58, 70, 77, 78, 131.1, 163,  
211/70.7, 60; 248/37.3, 37.6  
CPC .. A47F 5/16; A47F 7/00; A47G 21/00; A47G  
21/14; B26B 3/00; B26B 27/00  
See application file for complete search history.

(56) **References Cited**

U.S. PATENT DOCUMENTS

D50,414 S *	3/1917	Vilbiss	.....	D7/597
1,346,909 A *	7/1920	Onufryk	.....	A47G 21/14 211/70.6
2,446,016 A *	7/1948	Lessin	.....	A47G 21/14 211/70
2,964,201 A *	12/1960	Huffman	.....	A47F 5/02 206/818
4,126,366 A	11/1978	Handler et al.		
D254,714 S *	4/1980	Mascia	.....	D9/767

D323,084 S *	1/1992	Macomber Jones	.....	D6/678
D393,960 S *	5/1998	Geier	.....	D6/678
5,775,518 A *	7/1998	Connor	.....	A47G 21/14 211/163
D489,939 S *	5/2004	Allanson	.....	D7/510
6,755,310 B1	6/2004	Hilton et al.		
D493,284 S *	7/2004	Lee	.....	D3/276
D534,372 S *	1/2007	Babbino	.....	D6/680.2
D574,192 S	8/2008	Schösser		

(Continued)

OTHER PUBLICATIONS

Joseph Joseph 6-Piece Knife Set with Rotating Knife Block, announced Aug. 2012, [online], site visited Sep. 29, 2016. From Internet <URL: <http://www.amazon.com>>.

(Continued)

*Primary Examiner* — Derrick Holland

*Assistant Examiner* — Janice Lim

(74) *Attorney, Agent, or Firm* — Quine Intellectual Property Law Group, P.C.

(57) **CLAIM**

The ornamental design for a knife block, as shown and described.

**DESCRIPTION**

FIG. 1 is a side perspective view of a knife block showing my new design;

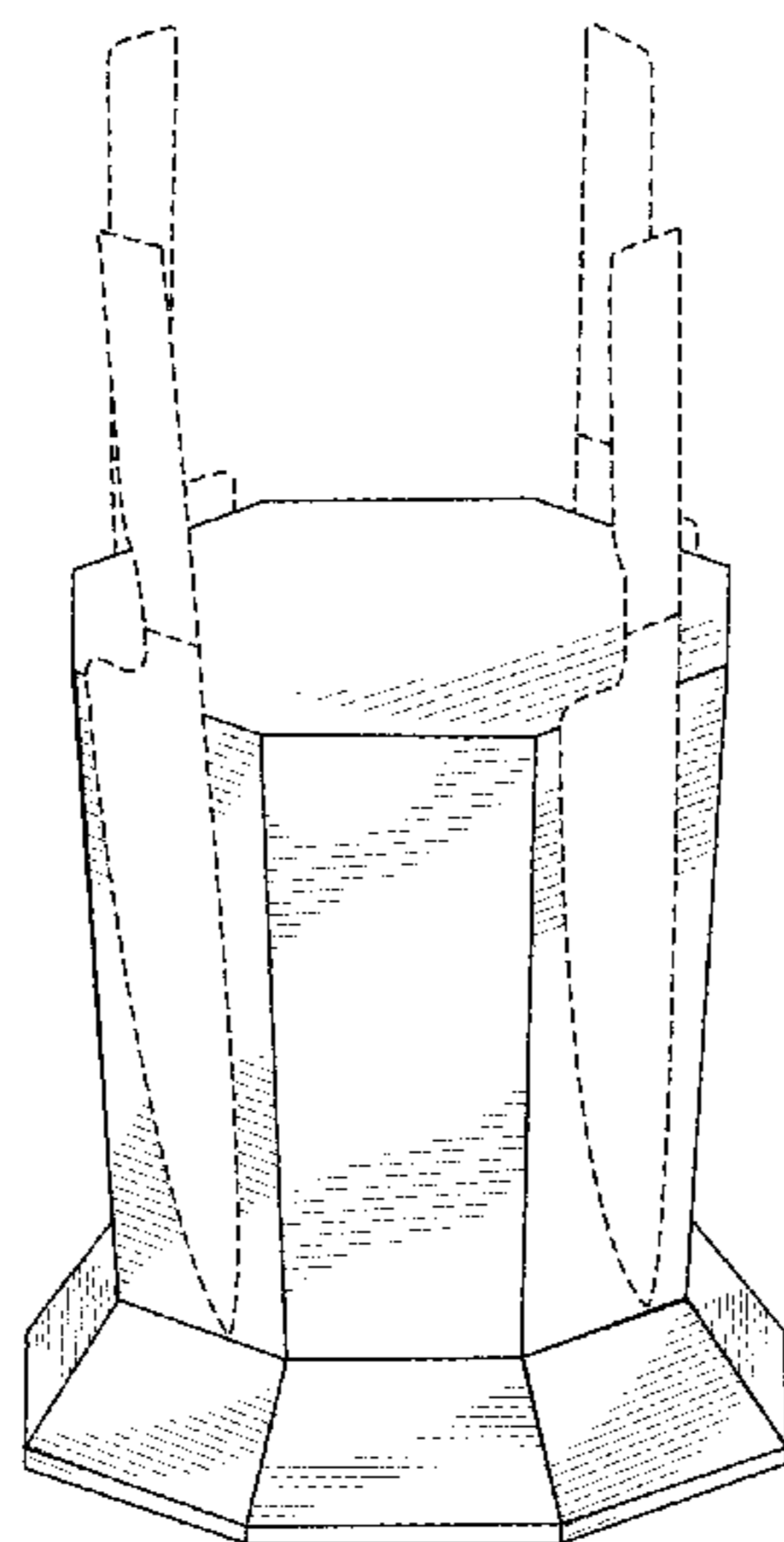
FIG. 2 is a front elevation view thereof, and the rear elevation view being a mirror image thereof;

FIG. 3 is a side elevation view thereof, and the opposite side elevation view being a mirror image thereof; and,

FIG. 4 is a top plan view thereof.

The broken line knives of FIG. 1 show unclaimed environmental subject matter only and form no part of the claimed design. The broken line portions of FIGS. 2 and 3 show unclaimed subject matter only and form no part of the claimed design.

**1 Claim, 4 Drawing Sheets**



(56)

**References Cited**

U.S. PATENT DOCUMENTS

D702,087 S \* 4/2014 Steel ..... D7/300.1  
2008/0011697 A1 1/2008 Berg

OTHER PUBLICATIONS

Youtube: "360 Knife Block—Kickstarter Video", Design Trifecta, Henry Leggett; Published Aug. 5, 2015; [https://www.youtube.com/watch?v=RSTpl\\_sBJZk](https://www.youtube.com/watch?v=RSTpl_sBJZk).

Kickstarter webpage; Henry Leggett; Published Aug. 30, 2015; <https://www.kickstarter.com/projects/2095183653/360-knife-block/updates>.

\* cited by examiner

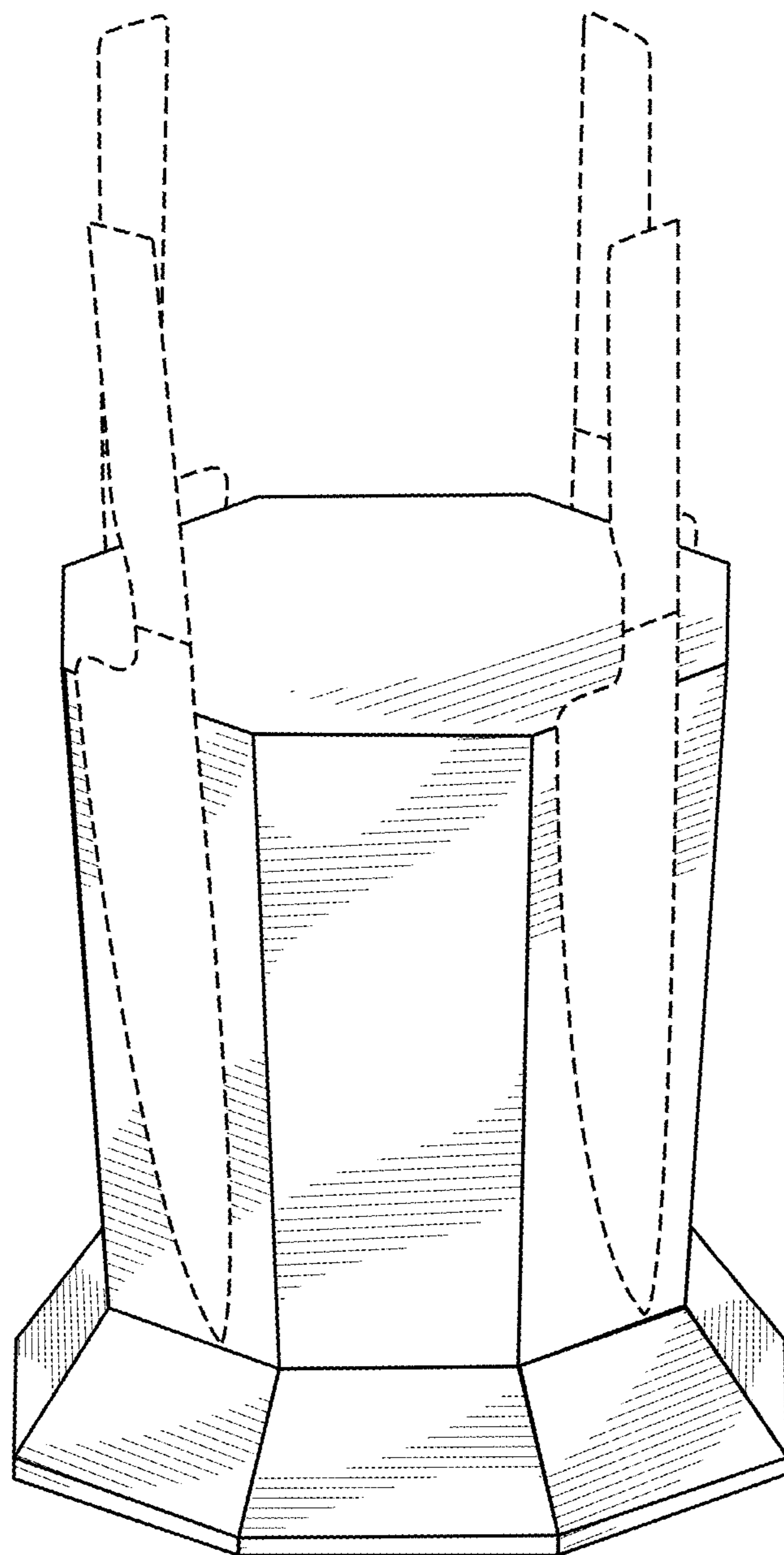


Fig. 1

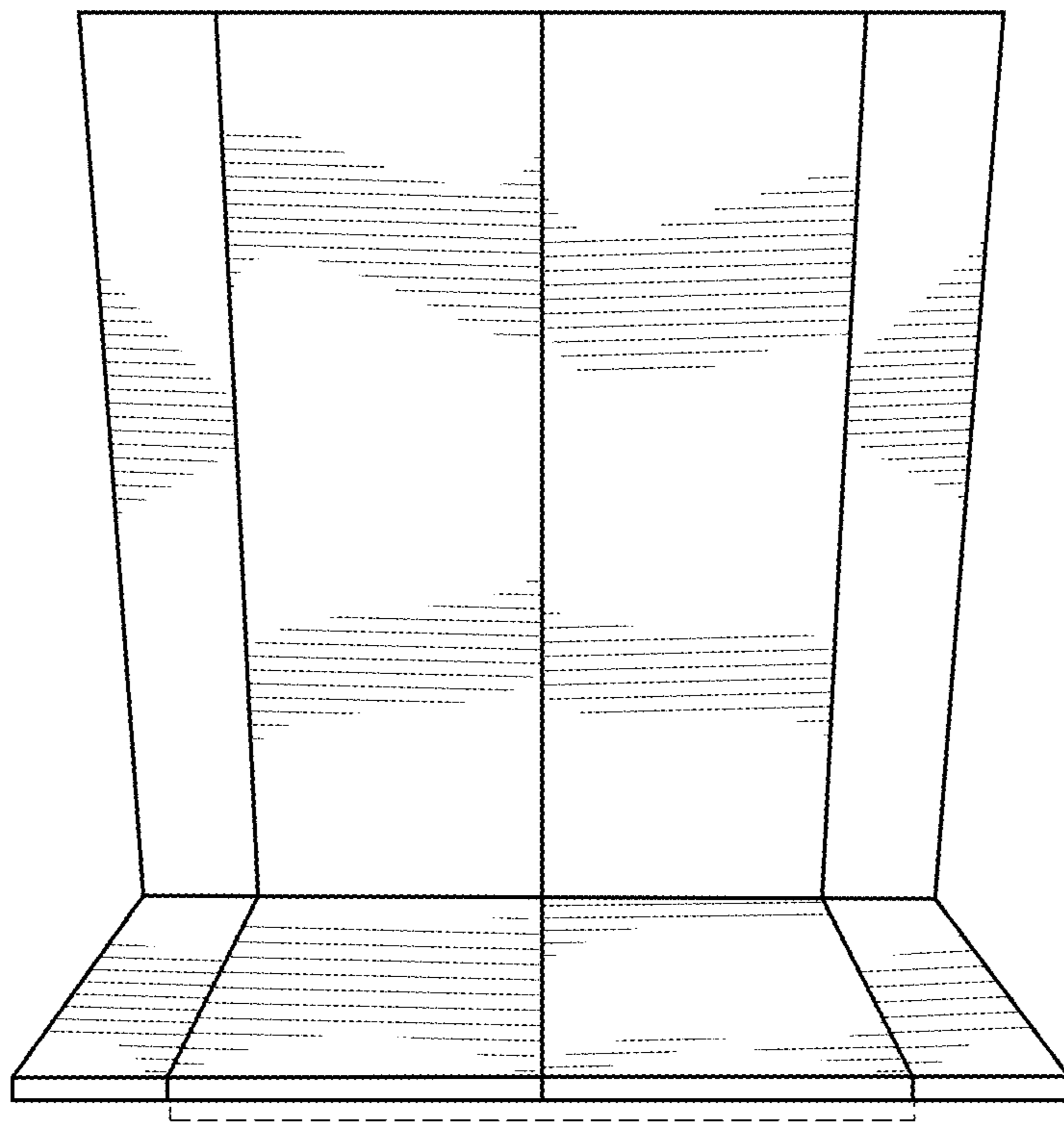


Fig. 2

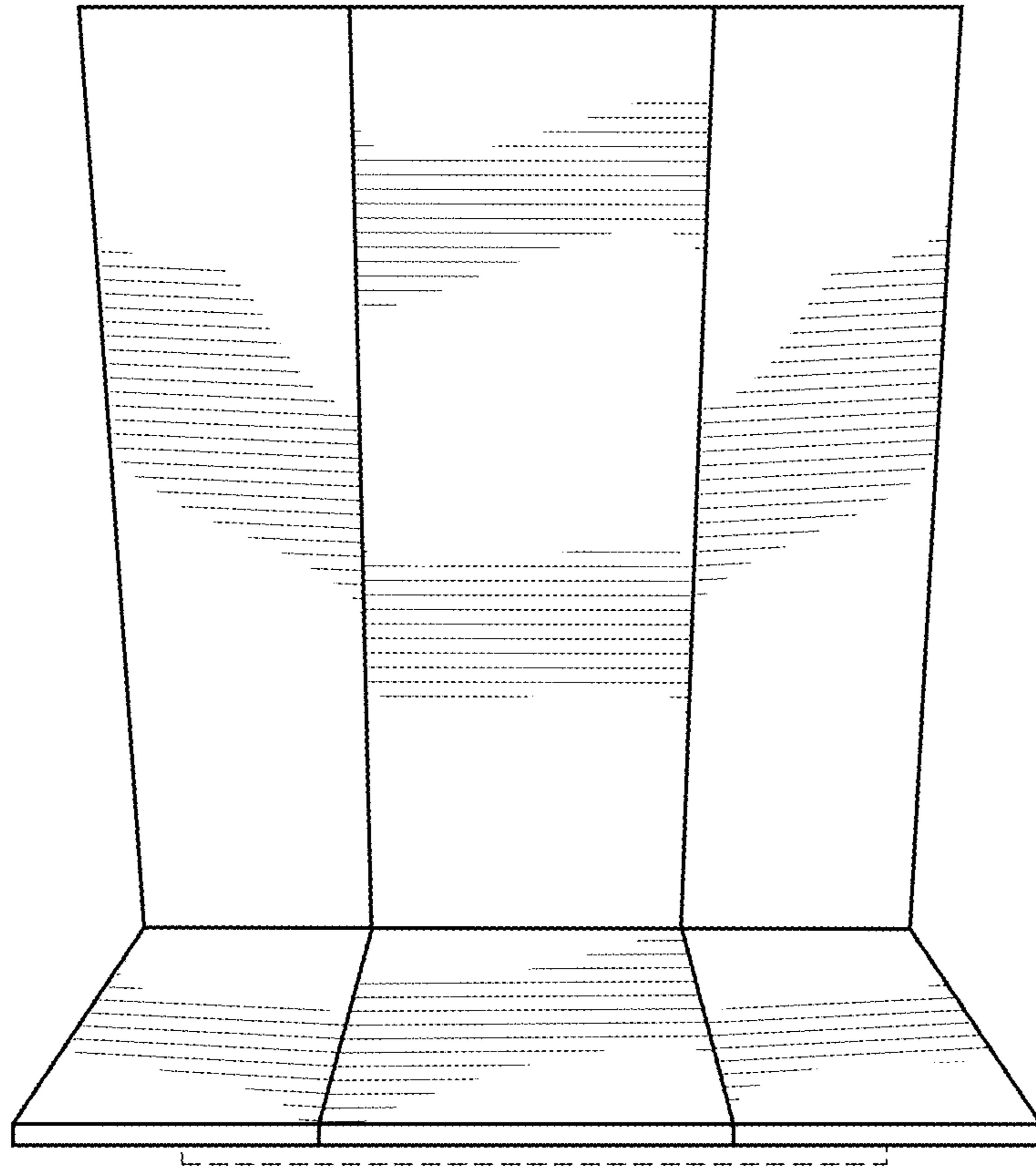


Fig. 3

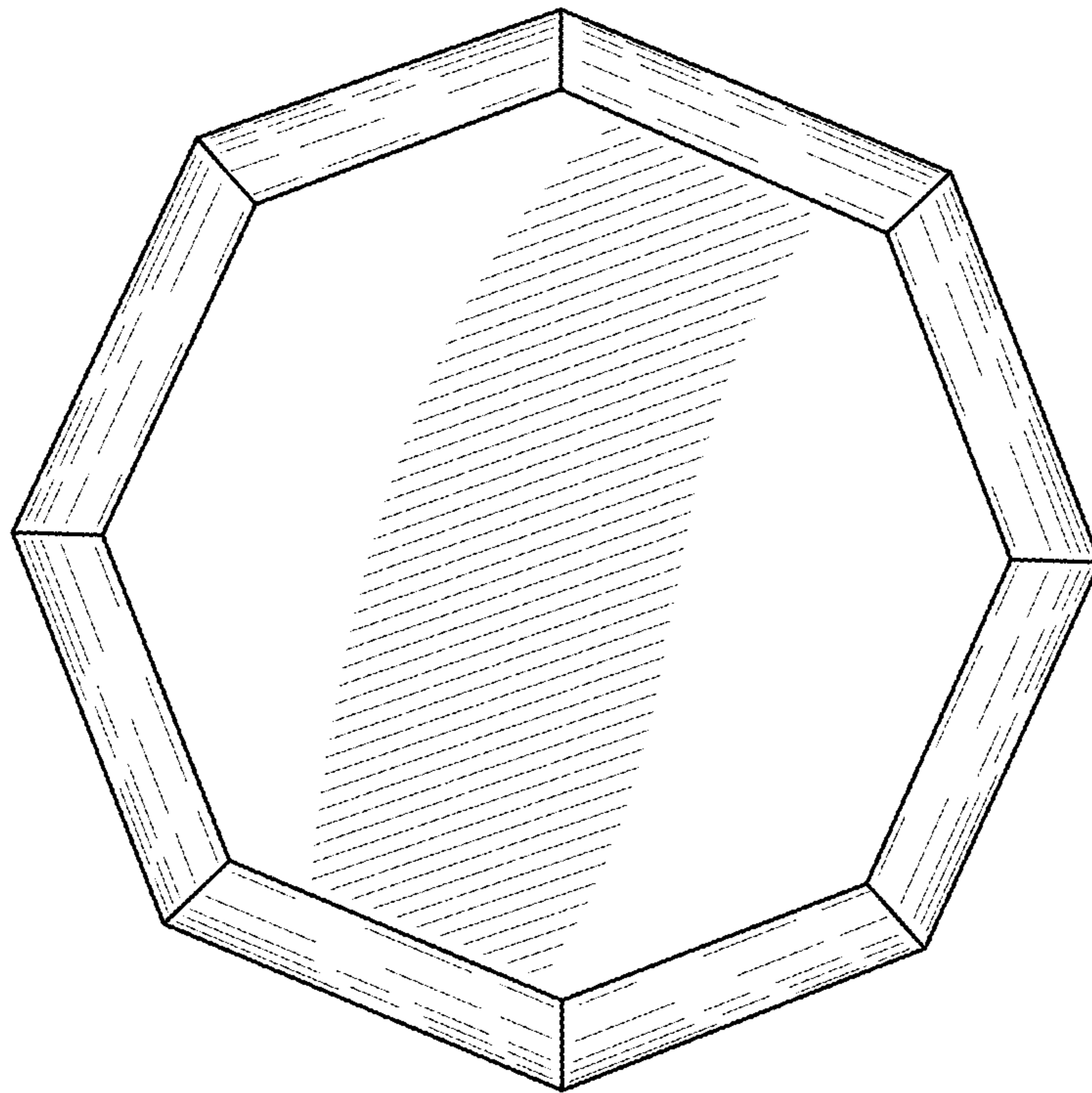


Fig. 4