



US00D808225S

(12) **United States Design Patent**
Seiders et al.

(10) **Patent No.:** **US D808,225 S**
(45) **Date of Patent:** **** Jan. 23, 2018**

(54) **DUFFEL BAG**

(71) Applicant: **YETI Coolers, LLC**, Austin, TX (US)

(72) Inventors: **Roy Joseph Seiders**, Austin, TX (US);
Erik Steven Larson, Austin, TX (US);
Derek G. Sullivan, Austin, TX (US);
Alex Baires, Austin, TX (US); **Jeff Munie**, Austin, TX (US)

(73) Assignee: **YETI Coolers, LLC**, Austin, TX (US)

(**) Term: **15 Years**

(21) Appl. No.: **29/580,469**

(22) Filed: **Oct. 10, 2016**

(51) **LOC (11) Cl.** **07-01**

(52) **U.S. Cl.**
USPC **D7/607**; D3/289

(58) **Field of Classification Search**
USPC D3/273, 276, 284, 283, 285, 287, 289,
D3/290, 900, 902, 904, 227, 230, 217,
D3/243; D7/709, 605, 607
CPC A45C 2003/007; A45C 2003/008; A45C
3/02; A45C 7/0059; A45C 11/20
See application file for complete search history.

(56) **References Cited**

U.S. PATENT DOCUMENTS

D307,668 S * 5/1990 Young D3/283
5,005,679 A * 4/1991 Hjelle A45C 3/00
150/106
5,007,250 A * 4/1991 Musielak A45C 11/20
383/29
5,140,833 A * 8/1992 Whalen A45C 3/10
150/154
D434,900 S * 12/2000 Spence, Jr. D3/276
6,338,180 B1 1/2002 Massard
6,409,066 B1 6/2002 Schneider et al.
D465,924 S 11/2002 Gisser
D481,540 S * 11/2003 Van Himbeeck D3/286

D495,489 S * 9/2004 Messina-Brown D3/283
D509,959 S 9/2005 Nykoluk
D516,307 S 3/2006 Koenig et al.
7,207,426 B2 4/2007 Godshaw et al.
D548,966 S 8/2007 Aliberti et al.

(Continued)

FOREIGN PATENT DOCUMENTS

CA 2300014 A1 8/2001
CA 2327764 A1 6/2002

(Continued)

OTHER PUBLICATIONS

Amazon, "Seattle Sports FrostPak Soft Cooler", First reviewed Jun. 17, 2014, Accessed Jan. 31, 2016 (<https://www.amazon.com/Seattle-Sports-FrostPak-Soft-Cooler/dp/B00LGZ8FI>).*

(Continued)

Primary Examiner — Thomas Johannes

Assistant Examiner — April Rivas

(74) *Attorney, Agent, or Firm* — Banner & Witcoff, Ltd.

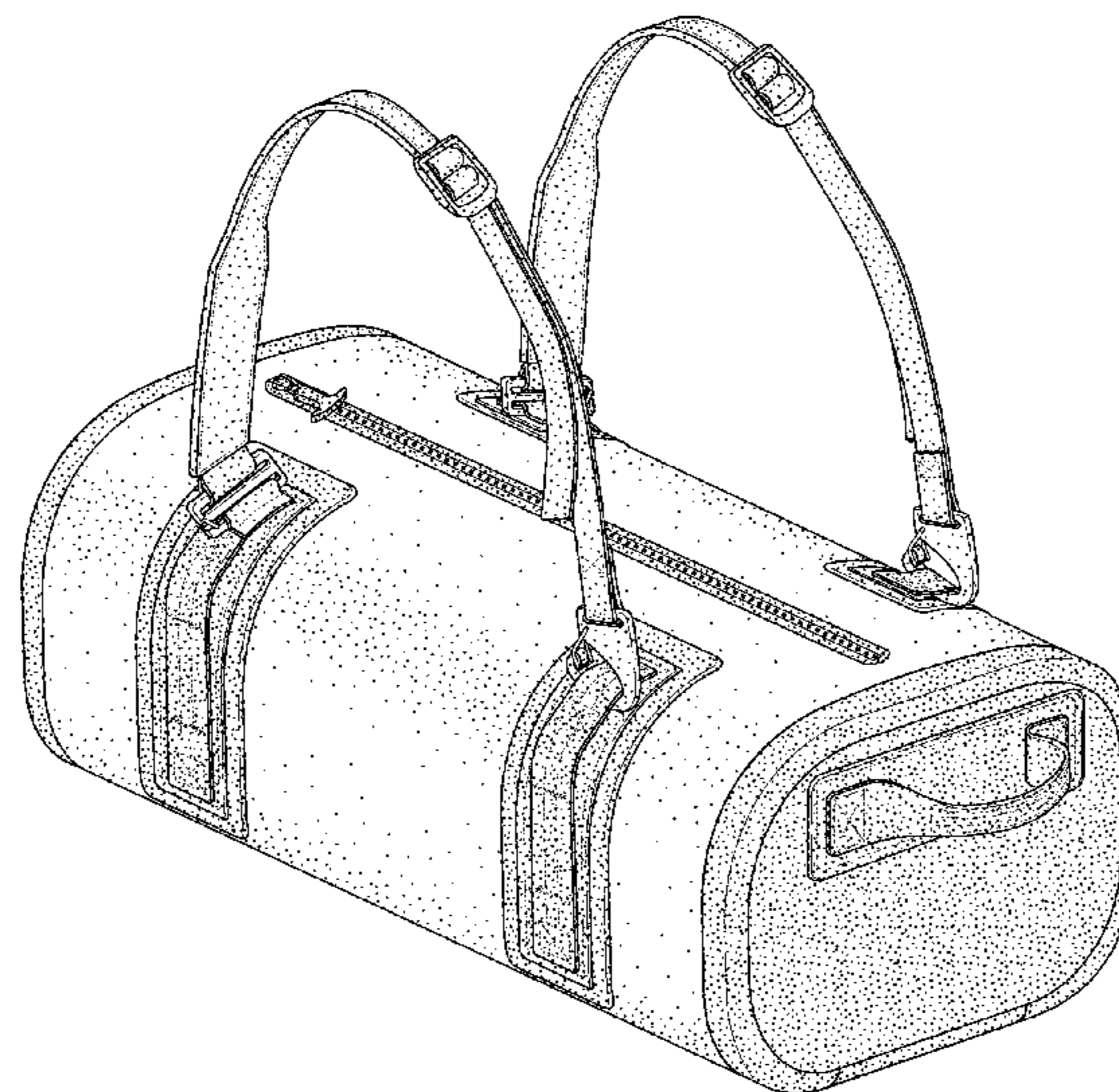
(57) **CLAIM**

The ornamental design for a duffel bag, as shown and described.

DESCRIPTION

FIG. 1 is a front, right perspective view of a duffel bag showing our new design;
FIG. 2 is a front view thereof;
FIG. 3 is a rear view thereof;
FIG. 4 is a right side view thereof;
FIG. 5 is a left side view thereof;
FIG. 6 is a top view thereof; and,
FIG. 7 is a bottom view thereof.
The broken lines illustrate portions of the duffel bag and form no part of the claimed design.

1 Claim, 6 Drawing Sheets



(56)

References Cited

FOREIGN PATENT DOCUMENTS

U.S. PATENT DOCUMENTS

7,334,684 B1 * 2/2008 Fontanilla A45C 11/20
190/110

7,344,028 B2 3/2008 Hanson

D575,059 S * 8/2008 Cappiello D3/283

7,597,478 B2 10/2009 Pruchnicki et al.

D620,708 S 8/2010 Sanz

7,861,857 B2 * 1/2011 Vorderkunz A45C 13/03
190/115

D648,533 S * 11/2011 Sosnovsky D3/283

D674,603 S 1/2013 Gerbi

D688,457 S 8/2013 Harris

D688,458 S 8/2013 Harris

D689,283 S 9/2013 Berkowitz

D692,662 S 11/2013 Pignotti

D698,150 S 1/2014 Sabounjian

8,695,770 B2 4/2014 Santy

D713,639 S * 9/2014 Whitlock D3/202

D717,040 S 11/2014 Swartzel et al.

D725,903 S 4/2015 Kuster et al.

D727,017 S 4/2015 Aberg et al.

D732,824 S * 6/2015 Tzortzis D3/288

D738,107 S 9/2015 Adler et al.

D738,108 S 9/2015 Adler et al.

9,138,036 B2 9/2015 Andreasson et al.

D740,550 S 10/2015 Shabou

D740,551 S 10/2015 Shabou

D740,552 S 10/2015 Shabou

D742,646 S 11/2015 Amago

D745,778 S 12/2015 Shabou

9,215,918 B2 12/2015 Kao et al.

D747,873 S 1/2016 Peng

D749,318 S 2/2016 LoNigro

D758,075 S * 6/2016 Quarry D3/276

D761,562 S 7/2016 Venturini Fendi

D766,571 S * 9/2016 Boroski D3/232

2005/0263432 A1 * 12/2005 Hanson A45C 11/20
206/545

2006/0065500 A1 3/2006 Herrig

2008/0142558 A1 * 6/2008 Dexter B60R 7/02
224/275

2014/0248003 A1 9/2014 Mogil et al.

2014/0270591 A1 9/2014 Joly

2016/0206061 A1 * 7/2016 Ford A45C 7/0059

2016/0278491 A1 9/2016 Amago

CA 150323 12/2013

CA 150461 12/2013

CN 302623928 11/2013

CN 302852751 6/2014

CN 302946709 9/2014

CN 303092550 2/2015

CN 303620433 3/2016

EM 002307702-0003 9/2013

EM 002333591-0015 10/2013

EM 002348797-0001 11/2013

EM 002309591-0001 12/2013

EM 002309591-0002 12/2013

EM 002309591-0003 12/2013

EM 002309591-0005 12/2013

EM 002309591-0006 12/2013

EM 002309591-0007 12/2013

EM 002309591-0008 12/2013

EM 002309591-0009 12/2013

EM 002520213-0005 8/2014

EM 002599944-0001 1/2015

EM 002629964-0001 2/2015

EM 002119362-0001 4/2015

EM 002639724-0002 5/2015

EM 002734988-0003 7/2015

EM 002734988-0004 7/2015

EM 002760678-0005 9/2015

EM 002906594-0010 12/2015

EM 003146869-0001 8/2016

EM 003359199-0001 9/2016

EM 003359199-0002 9/2016

GB 4041233 8/2015

JP D1475659 7/2013

KR 300687326.0000 4/2013

WO D079659-001 12/2012

OTHER PUBLICATIONS

Amazon, "Seattle Sports FrostPak Soft Cooler", First reviewed Jun. 17, 2014, Accessed Jan. 31, 2016. <https://www.amazon.com/Seattle-Sports-FrostPak-Soft-Cooler/dp/BOOLGZ28F1>).

Kuiu, "Taku 3000", Accessed May 10, 2017. (<http://www.kuiu.com/gear-bags/taku-3000/96004.html>).

* cited by examiner

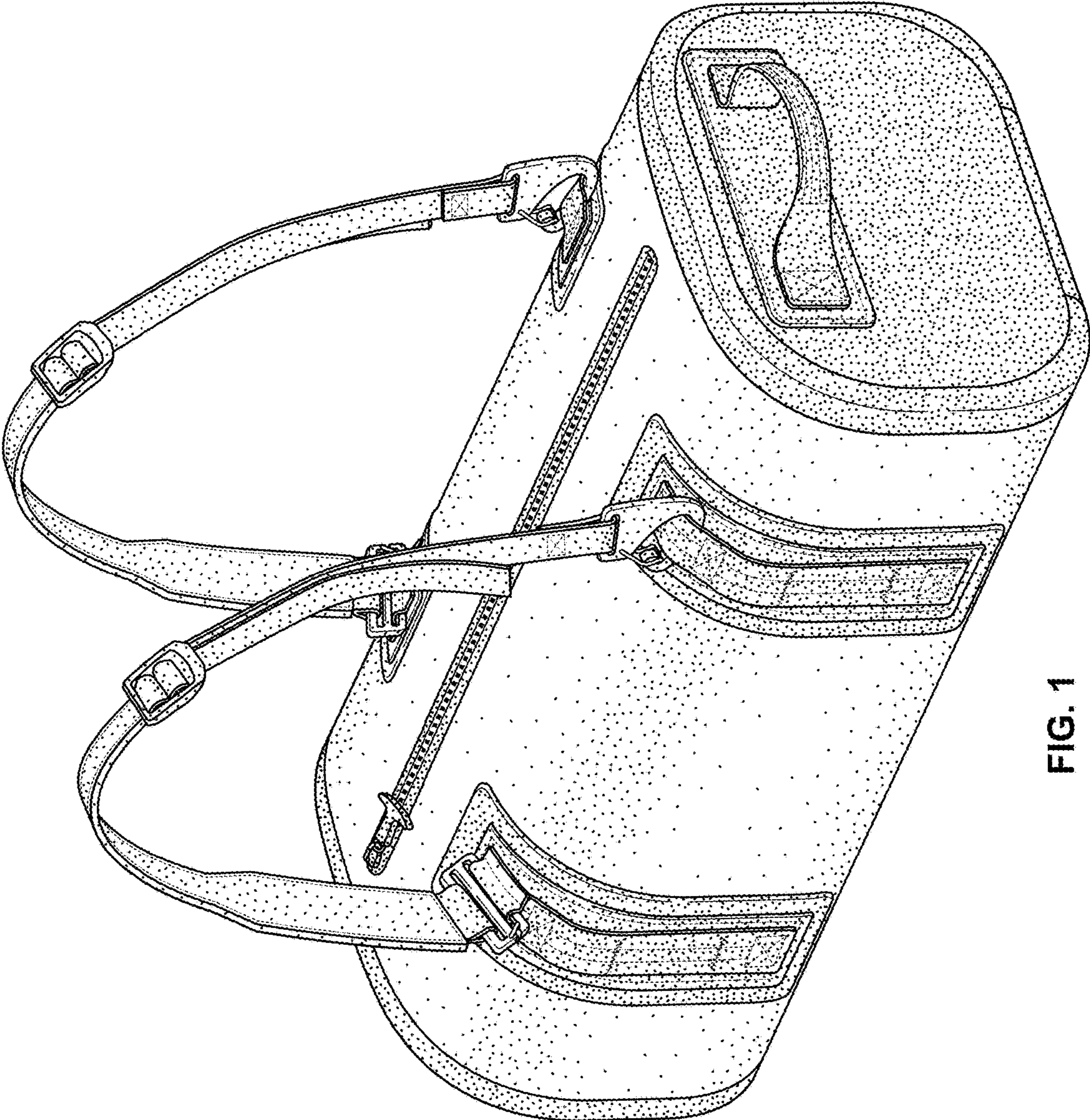


FIG. 1

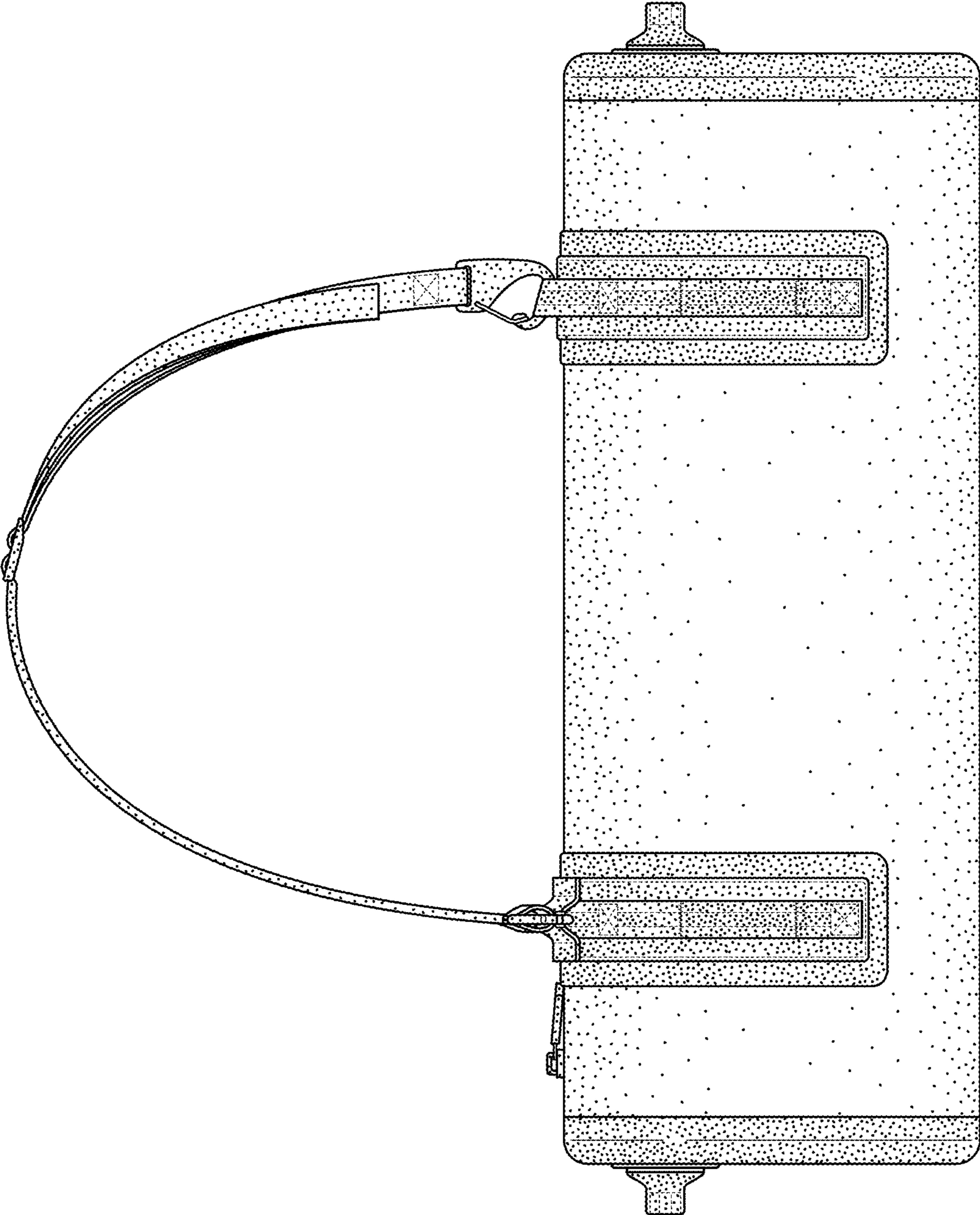


FIG. 2

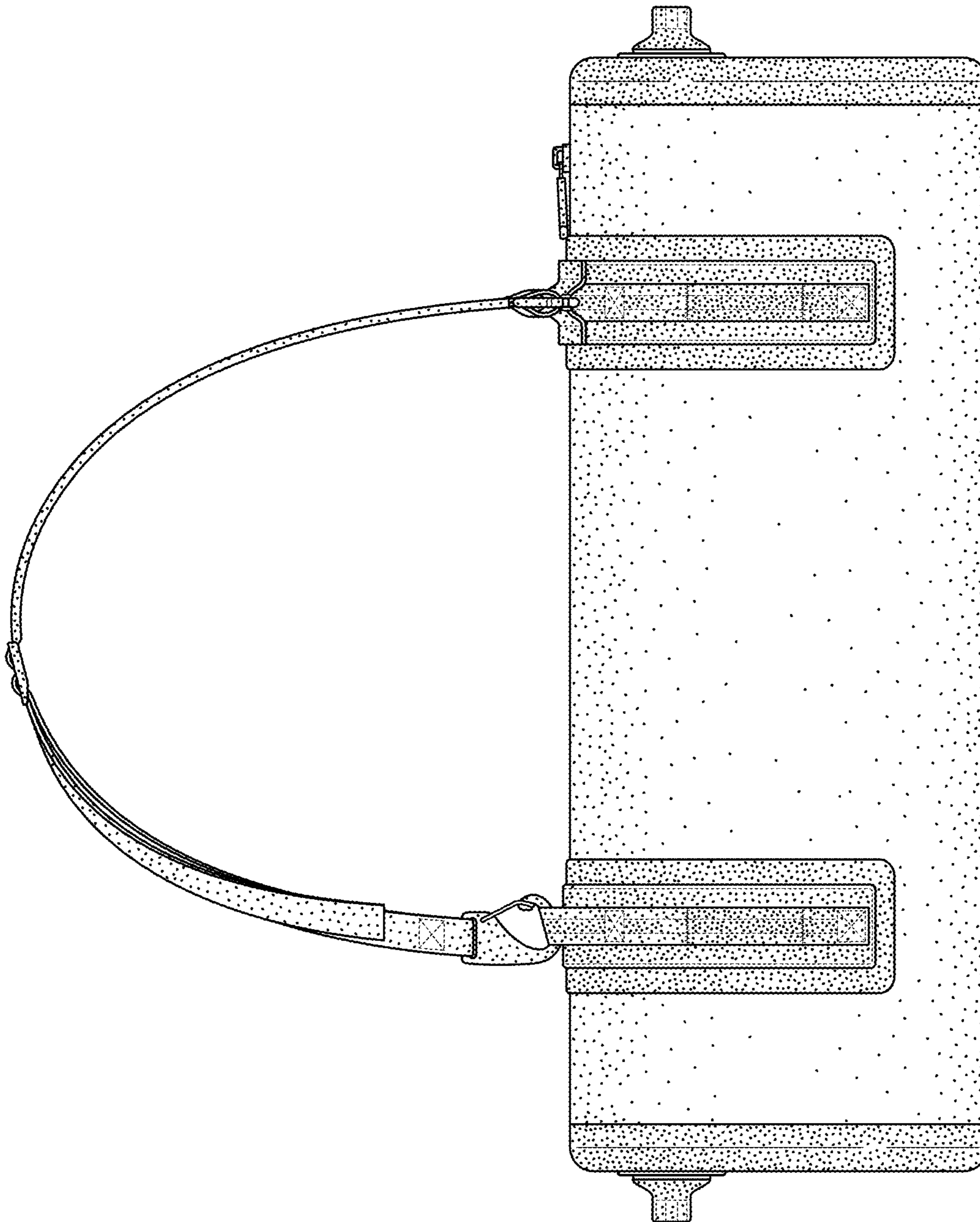


FIG. 3

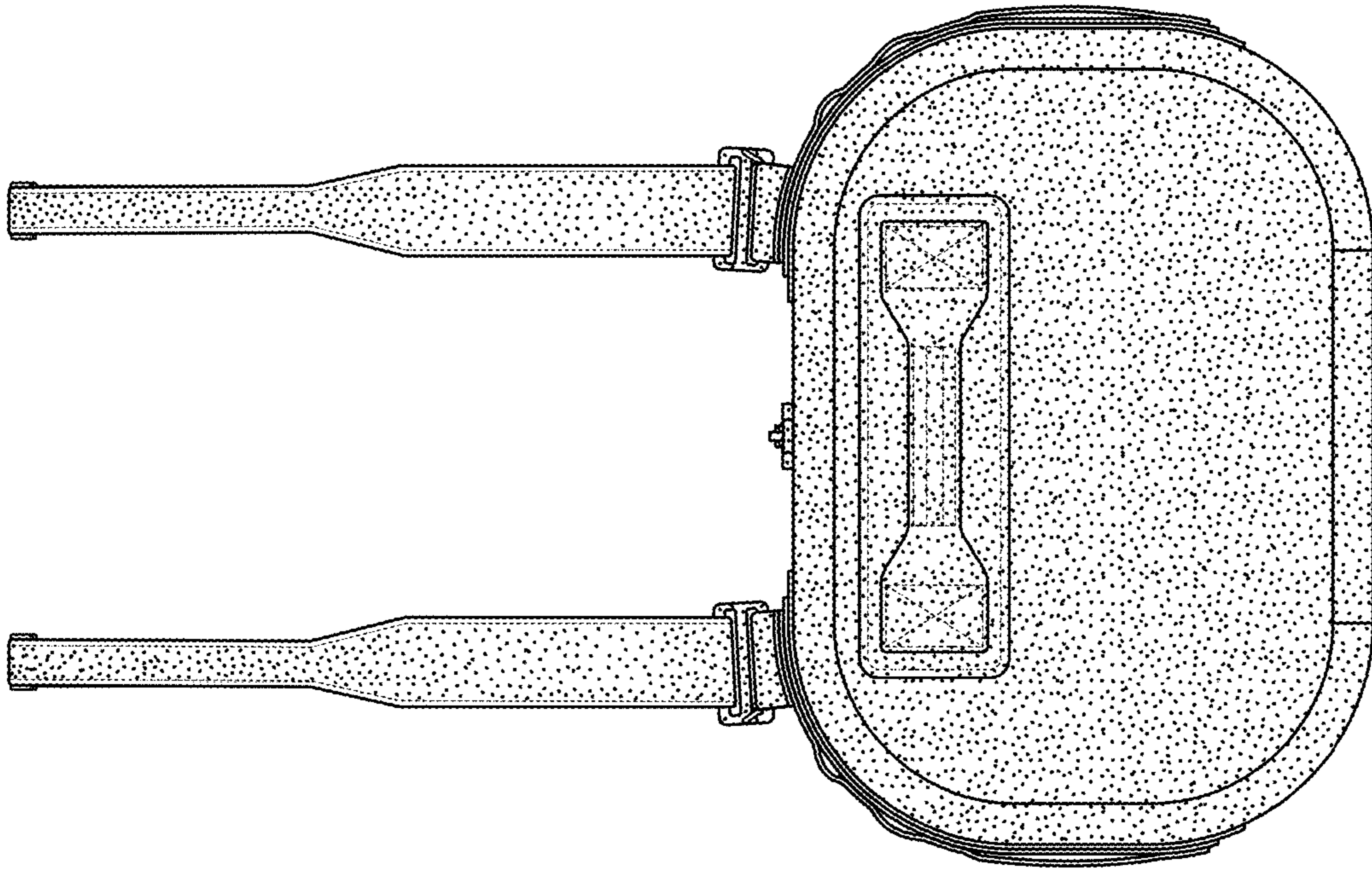


FIG. 5

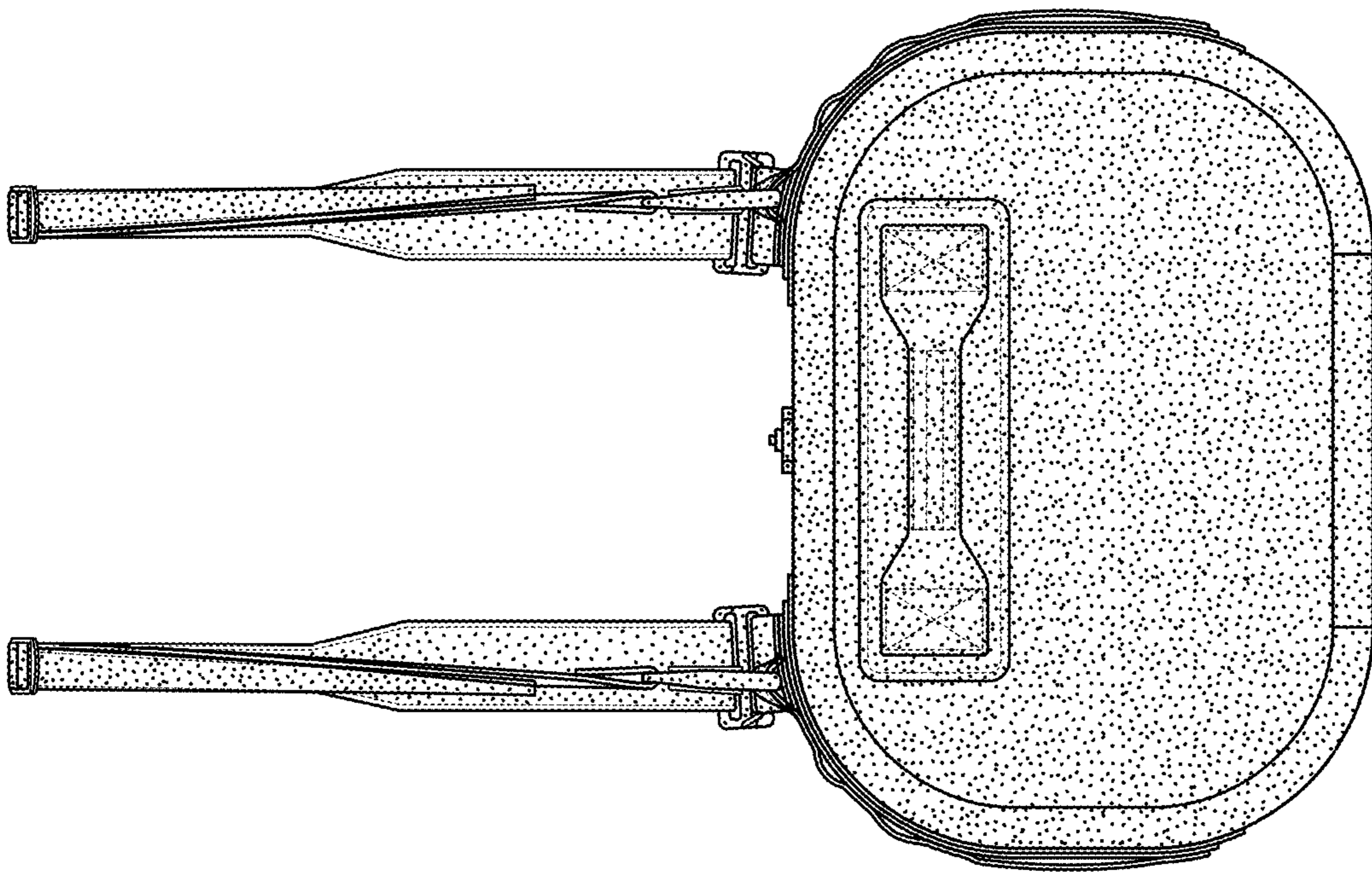


FIG. 4

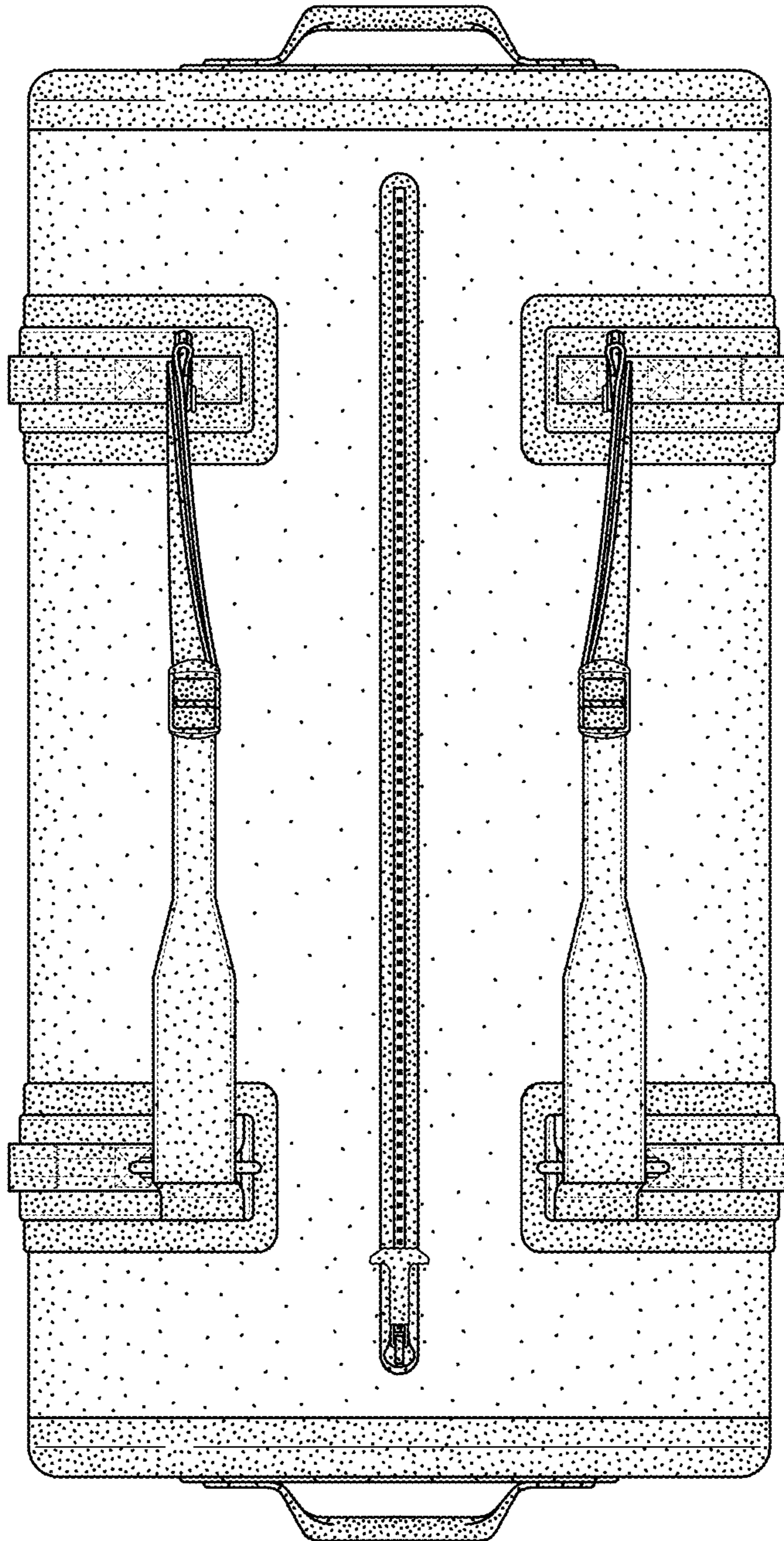


FIG. 6

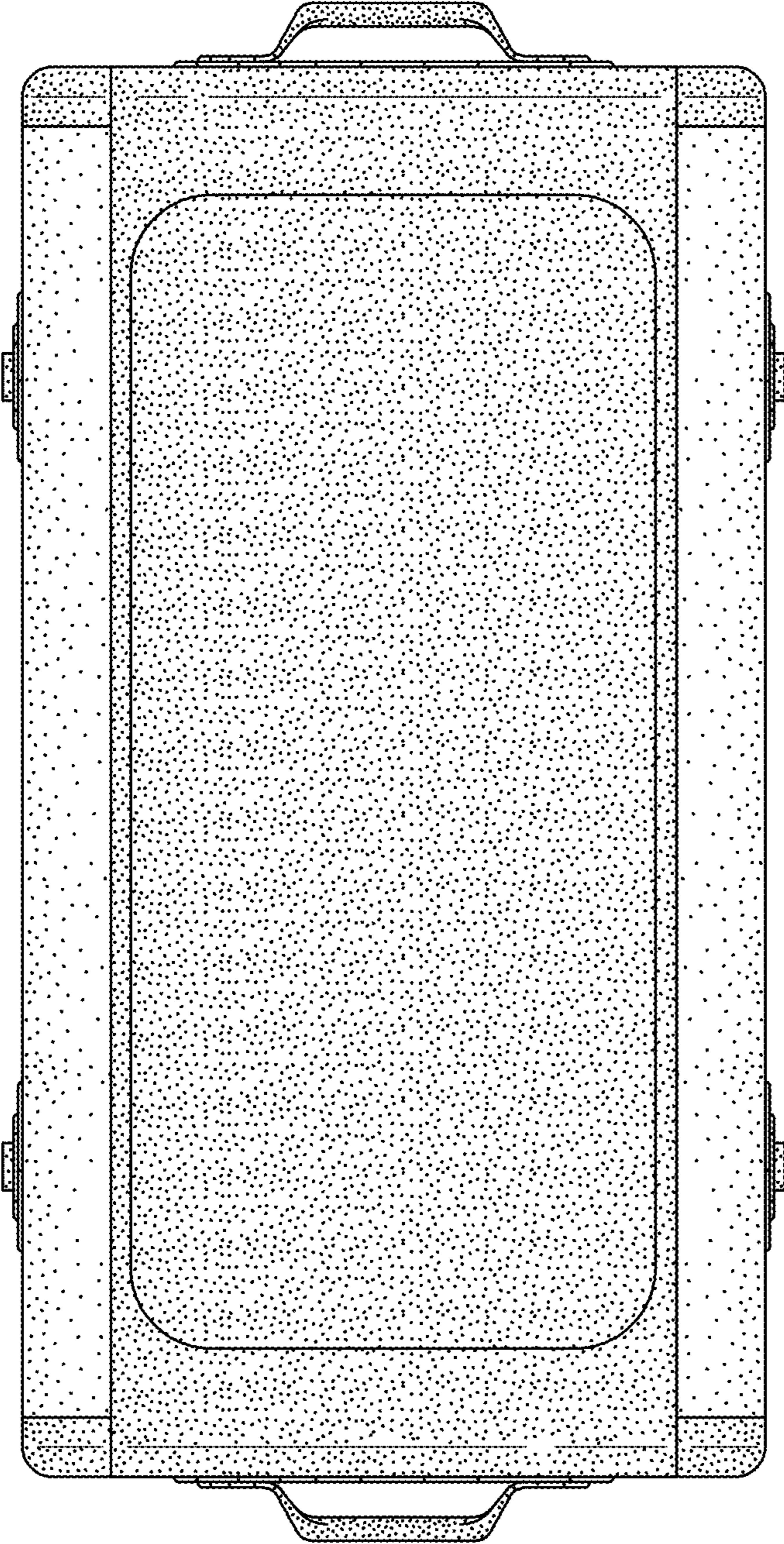


FIG. 7