



US00D808223S

(12) **United States Design Patent** (10) **Patent No.:** **US D808,223 S**
Wassenius et al. (45) **Date of Patent:** **** Jan. 23, 2018**

(54) **CONTAINER FOR COOLING BEVERAGES OF ANY KIND CONTAINED IN ANY KIND OF CONTAINER**

(71) Applicant: **Red Bull GmbH**, Fuschl am See (AT)

(72) Inventors: **Christofer Wassenius**, Fuschl am See (AT); **Matthias Rinderer**, Fuschl am See (AT); **Juergen Brenneis**, Fuschl am See (AT); **David Kehoe**, Alexandria (AU); **Daniel Schneider, Jr.**, Fuschl am See (AT)

(73) Assignee: **Red Bull GmbH**, Fuschl am See (AT)

(**) Term: **15 Years**

(21) Appl. No.: **29/593,669**

(22) Filed: **Feb. 10, 2017**

(30) **Foreign Application Priority Data**

Aug. 5, 2014 (EM) 002514976-0005
Aug. 5, 2014 (EM) 002514976-0006
Aug. 5, 2014 (EM) 002514976-0007

(51) **LOC (11) Cl.** **07-01**

(52) **U.S. Cl.**
USPC **D7/605**

(58) **Field of Classification Search**
USPC D7/605, 606, 628; D9/738, 744, 763, D9/766, 767; D23/381, 336
CPC A47F 3/04; B62B 3/00; B65D 6/00; B65D 81/38; B65D 17/165; B65D 81/3886; F25D 3/00; F25D 3/06; F25D 3/08; F25D 2331/803; F25D 2331/804; F25D 2331/805; F25D 2331/806; F25D 2331/807; F25D 2331/808; F25D 2331/809

See application file for complete search history.

(56) **References Cited**

U.S. PATENT DOCUMENTS

D329,151 S	9/1992	Baer	
5,251,460 A	10/1993	Demarco et al.	
D349,218 S	8/1994	Evans	
5,433,085 A	7/1995	Rogers	
5,596,880 A	1/1997	Welker et al.	
D434,610 S	12/2000	Mount	
D453,893 S	2/2002	Mount	
D519,788 S	5/2006	Ringuet	
D620,762 S	8/2010	Tolle	
8,297,072 B2	10/2012	Willcoxon et al.	
D692,321 S	10/2013	Ward	
D789,751 S *	6/2017	Wassenius D7/605
2011/0185764 A1	8/2011	Kelly	

(Continued)

Primary Examiner — Freda S Nunn

(74) *Attorney, Agent, or Firm* — Collard & Roe, P.C.

(57) **CLAIM**

The ornamental design for a container for cooling beverages of any kind contained in any kind of container.

DESCRIPTION

FIG. 1 is a back view of a container for cooling beverages of any kind contained in any kind of container showing our new design;

FIG. 2 is a top, front, left side perspective view thereof;

FIG. 3 is a bottom, back, left side perspective view thereof;

FIG. 4 is a right side view thereof; with the opposite side being a mirror image;

FIG. 5 is a front view thereof;

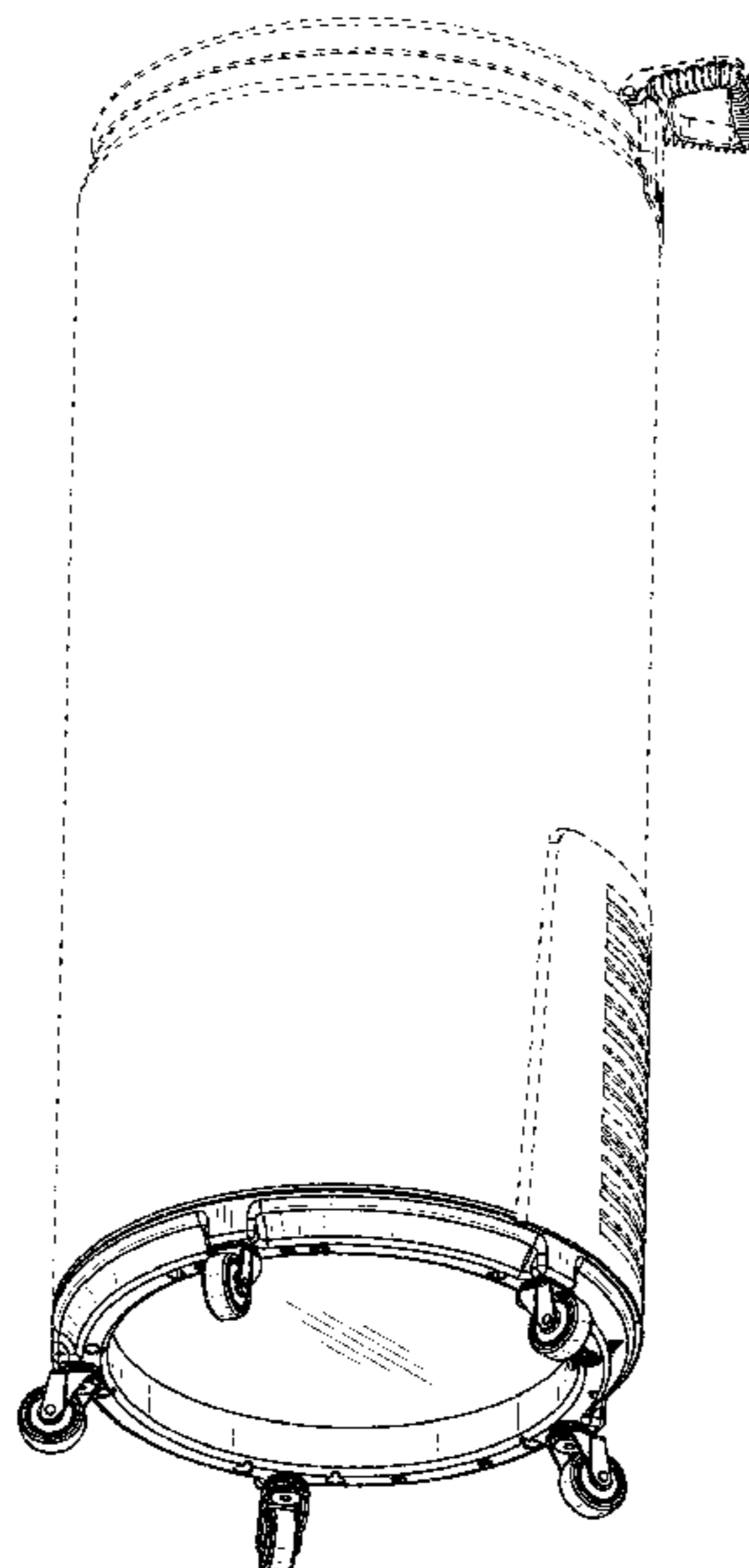
FIG. 6 is a bottom, right side perspective view thereof;

FIG. 7 is a bottom, front perspective view thereof; and,

FIG. 8 is a bottom view thereof.

The broken lines and areas within the broken lines show portions of the container that form no part of the claimed design.

1 Claim, 8 Drawing Sheets



(56)

References Cited

U.S. PATENT DOCUMENTS

2013/0048648 A1 2/2013 Robertson et al.
2014/0110912 A1 4/2014 Primiano

* cited by examiner

FIG. 1

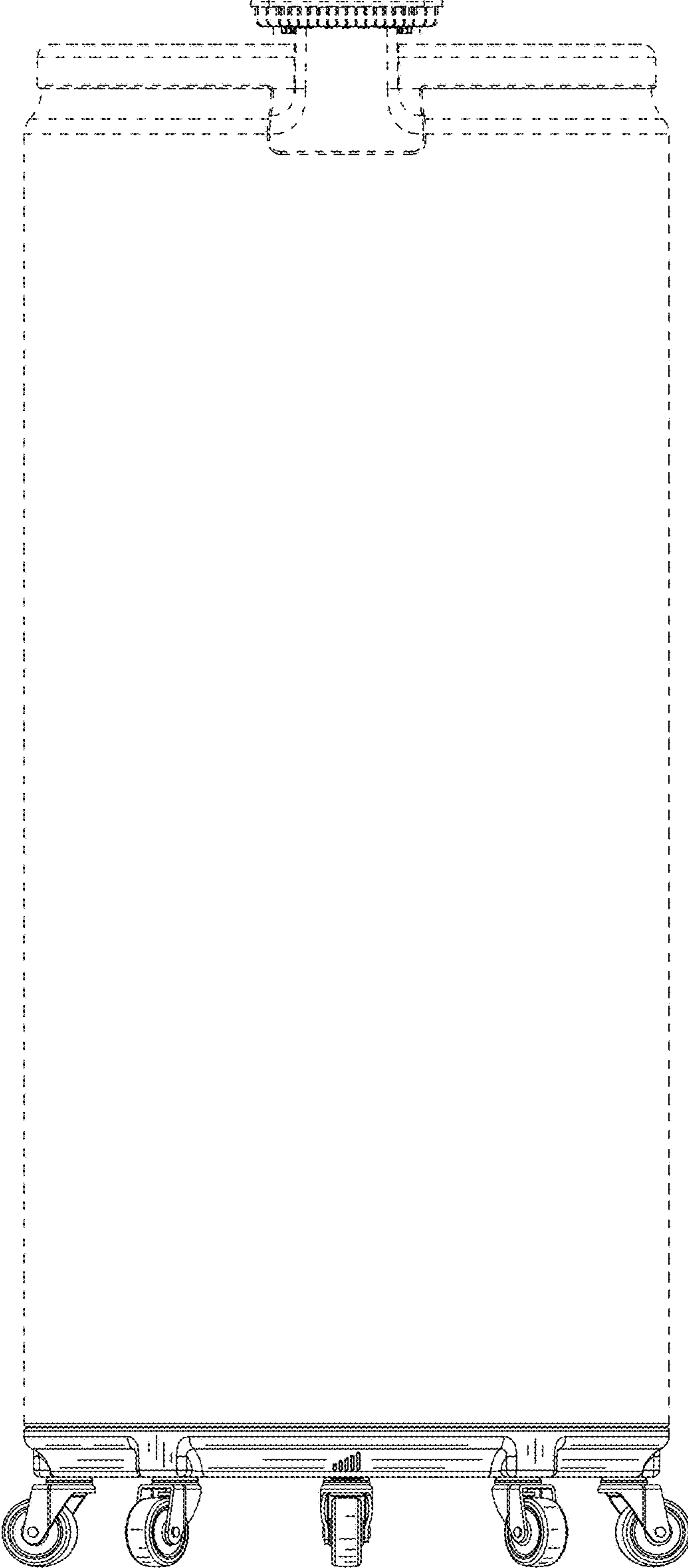


FIG. 2

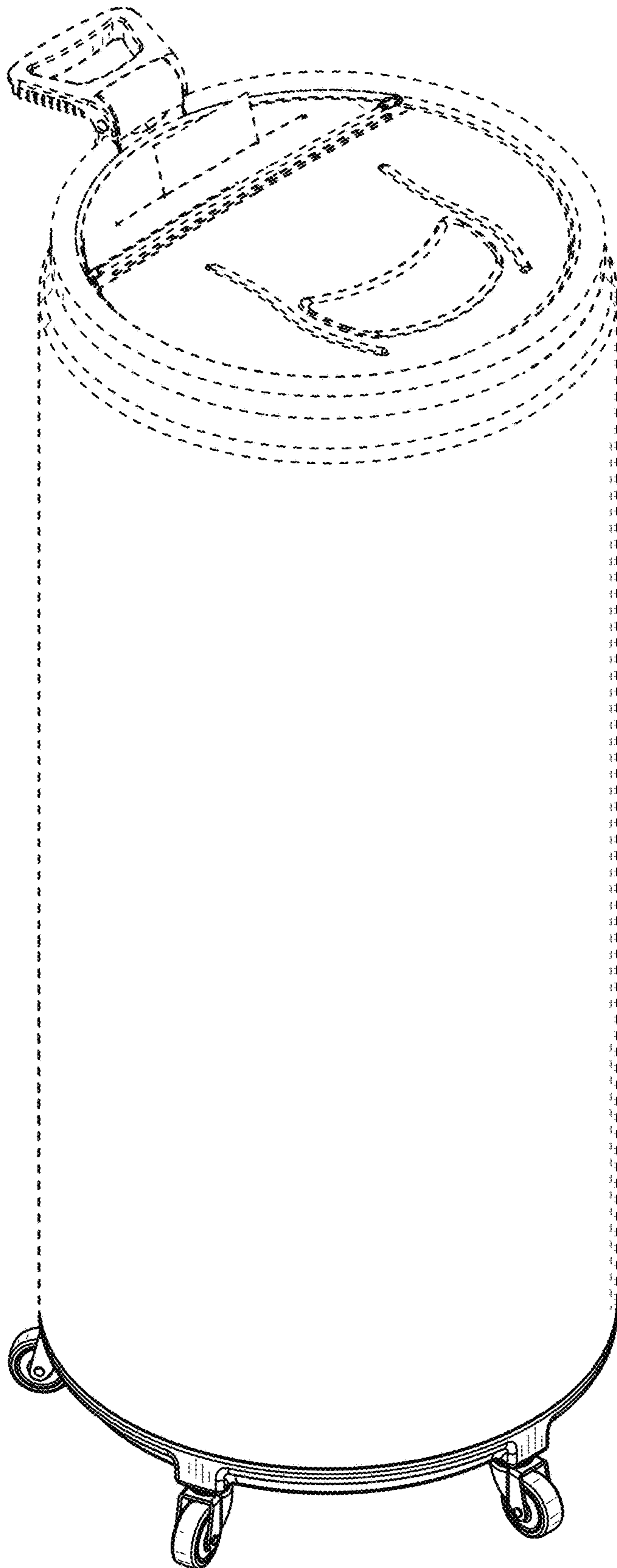


FIG. 3

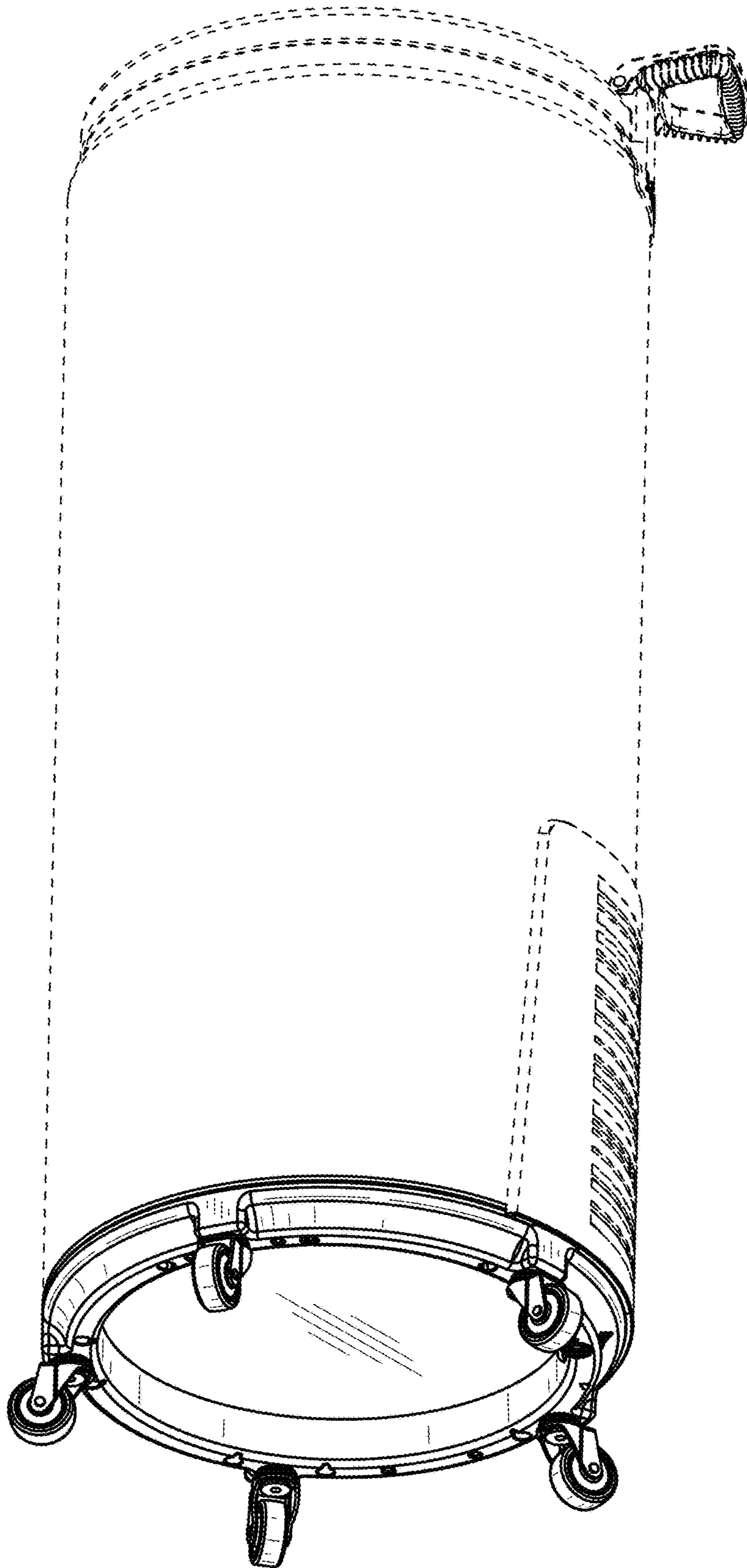


FIG. 4



FIG. 5

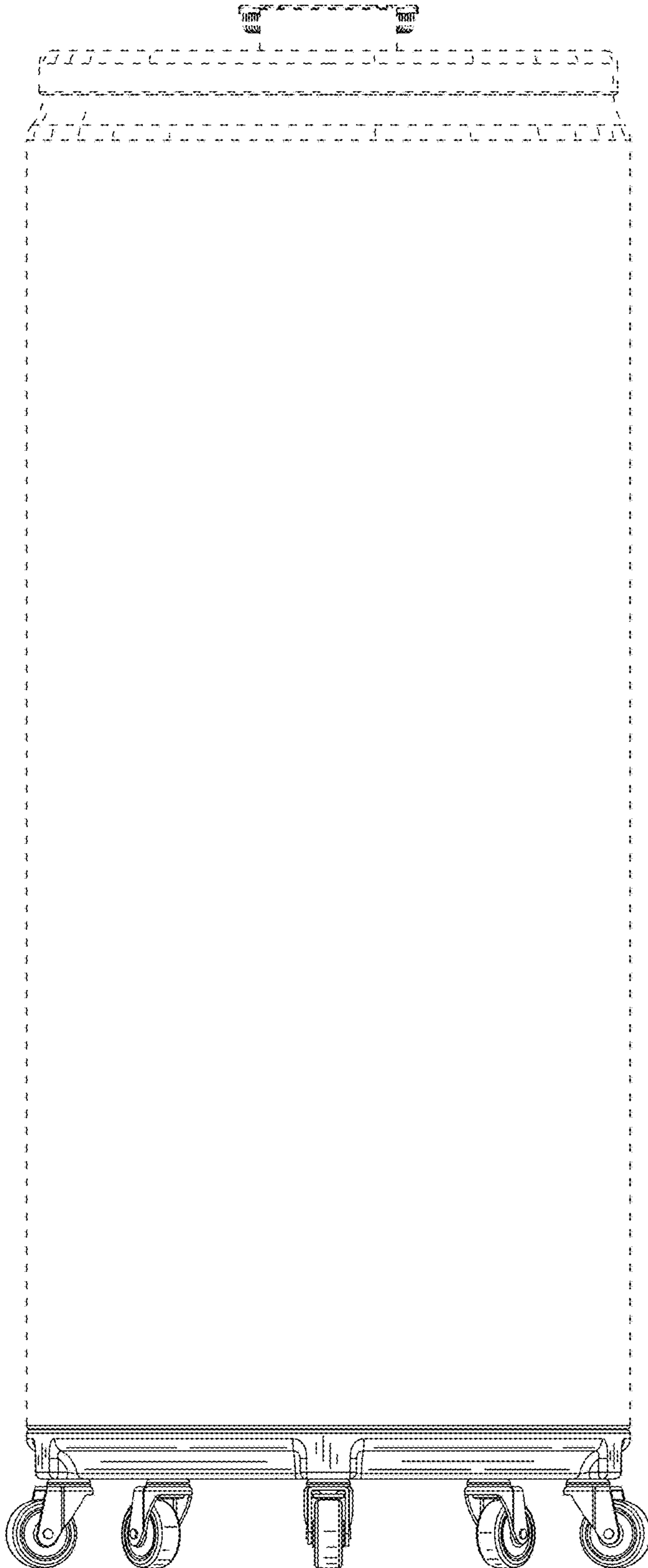


FIG. 6

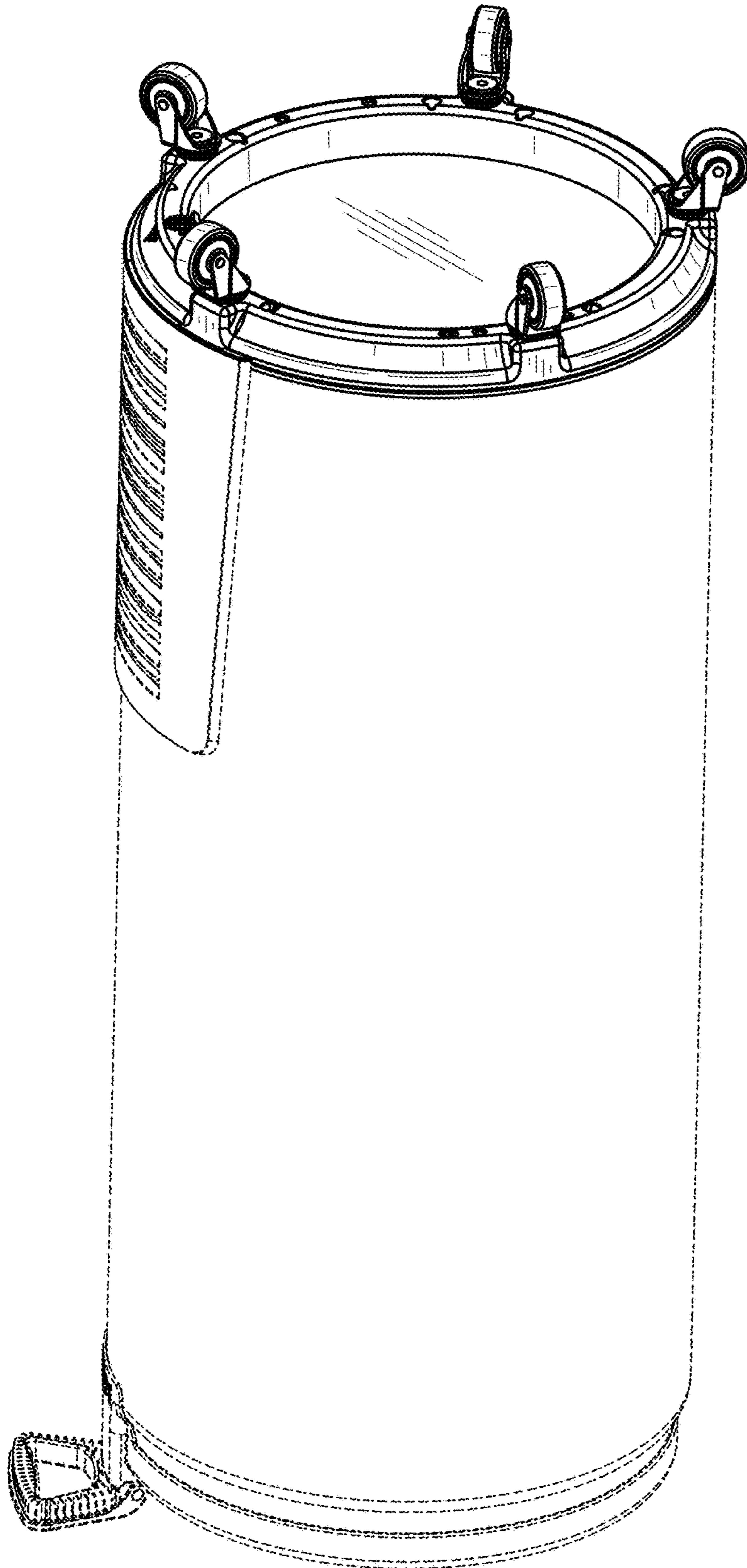


FIG. 7

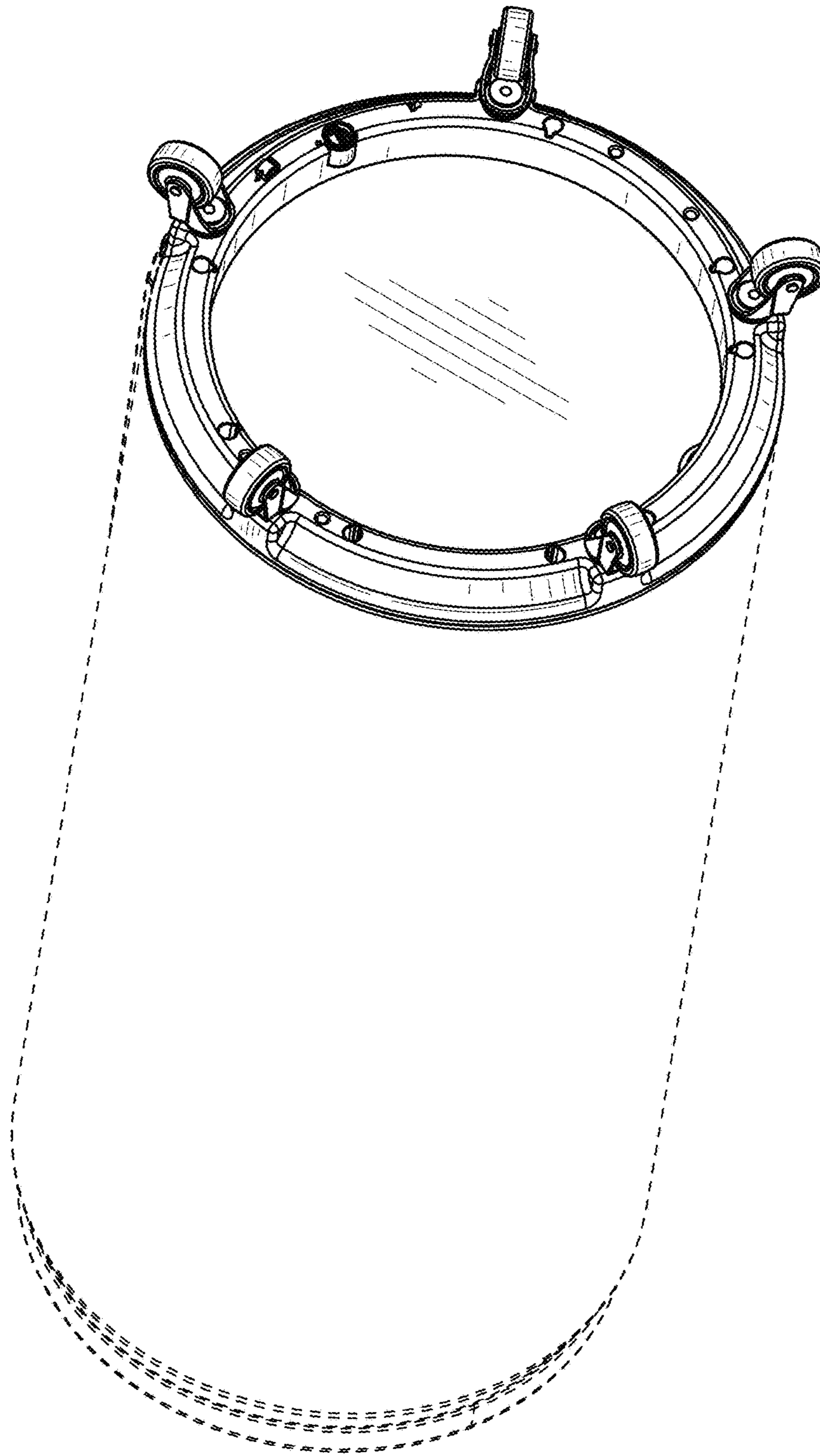


FIG. 8

