



US00D808219S

(12) **United States Design Patent**
Heiberger et al.

(10) **Patent No.:** **US D808,219 S**
(45) **Date of Patent:** **** Jan. 23, 2018**

(54) **WATER BOTTLE**

(71) Applicant: **PRODUCT ARCHITECTS, INC.,**
Boulder, CO (US)

(72) Inventors: **Robert Heiberger**, Boulder, CO (US);
David Roecker, Denver, CO (US)

(73) Assignee: **PRODUCT ARCHITECTS, INC.,**
Boulder, CO (US)

(**) Term: **15 Years**

(21) Appl. No.: **29/583,577**

(22) Filed: **Nov. 7, 2016**

(51) **LOC (11) Cl.** **07-01**

(52) **U.S. Cl.**
USPC **D7/510; D7/511; D7/529; D7/536**

(58) **Field of Classification Search**
USPC D7/507, 509, 510, 511, 523, 529, 530,
D7/608, 536, 532; D9/500, 502, 503,
D9/504, 517, 530, 538, 539, 540, 541,
D9/544, 545, 547, 548, 552, 569, 453,
D9/452; 220/592.16, 592.17; 215/381,
215/382

CPC A47G 19/22; A47G 19/2205;
A47G 19/2211; A47G 19/2266; A47G
19/2272; A45F 3/16; B65D 41/04

See application file for complete search history.

(56) **References Cited**

U.S. PATENT DOCUMENTS

D204,711 S *	5/1966	Plummer	D9/539
D350,672 S *	9/1994	Egger	D7/510
D531,505 S *	11/2006	Lohrman	D9/453
D566,468 S *	4/2008	Sandy	D7/509
8,051,674 B2 *	11/2011	Roth	A45F 3/16 62/457.3
D690,162 S *	9/2013	Staton	D7/510
D714,154 S *	9/2014	Keeler	D7/510

D736,562 S *	8/2015	Green	D7/510
D752,434 S *	3/2016	Willows	D9/447
D758,132 S *	6/2016	Breit	D7/510
D760,027 S *	6/2016	Meyers	D7/510
D771,490 S *	11/2016	Junkel	D9/447
D774,351 S *	12/2016	Breit	D7/394
D777,518 S *	1/2017	Frazier	D7/510
D789,150 S *	6/2017	Heiberger	D7/511
D793,810 S *	8/2017	Frazier	D7/510
D795,647 S *	8/2017	Heiberger	D7/511
2005/0023237 A1 *	2/2005	Inestroza	B65D 11/04 215/12.1
2006/0157490 A1 *	7/2006	Lipson	A47G 19/2227 220/709
2010/0288758 A1 *	11/2010	Blain	B65D 47/243 220/23.83

(Continued)

OTHER PUBLICATIONS

“Polar Bottle-Insulated Sport Bottle” Brochure, Product Architects, Inc., 2011, 1 page.

(Continued)

Primary Examiner — Marianne Pandozzi

Assistant Examiner — Jae Liang

(74) *Attorney, Agent, or Firm* — Sheridan Ross P.C.

(57)

CLAIM

The ornamental design for water bottle, as shown and described.

DESCRIPTION

FIG. 1 is a perspective view of a water bottle showing our new design;

FIG. 2 is a front view thereof;

FIG. 3 is a rear view thereof;

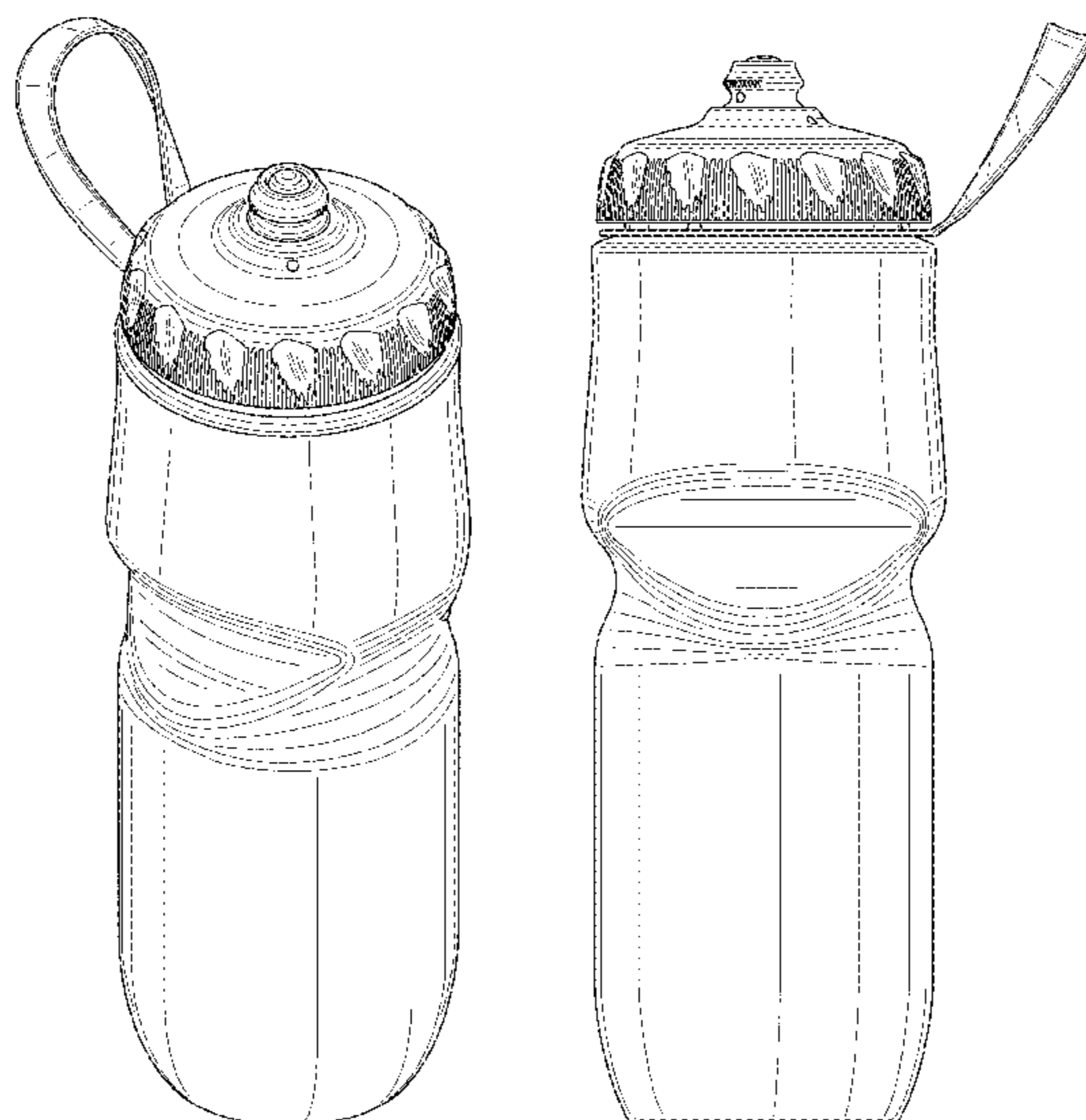
FIG. 4 is a right side view thereof;

FIG. 5 is a left side view thereof;

FIG. 6 is a top plan view thereof; and,

FIG. 7 is a bottom plan view thereof.

1 Claim, 7 Drawing Sheets



(56)

References Cited

U.S. PATENT DOCUMENTS

2012/0193316 A1* 8/2012 Starks B65D 81/3205
215/6
2016/0316896 A1* 11/2016 Breit A45F 3/16

OTHER PUBLICATIONS

“Polar Bottle-Spring 2012” Brochure, Product Architects, Inc.,
2012, 5 pages.

* cited by examiner

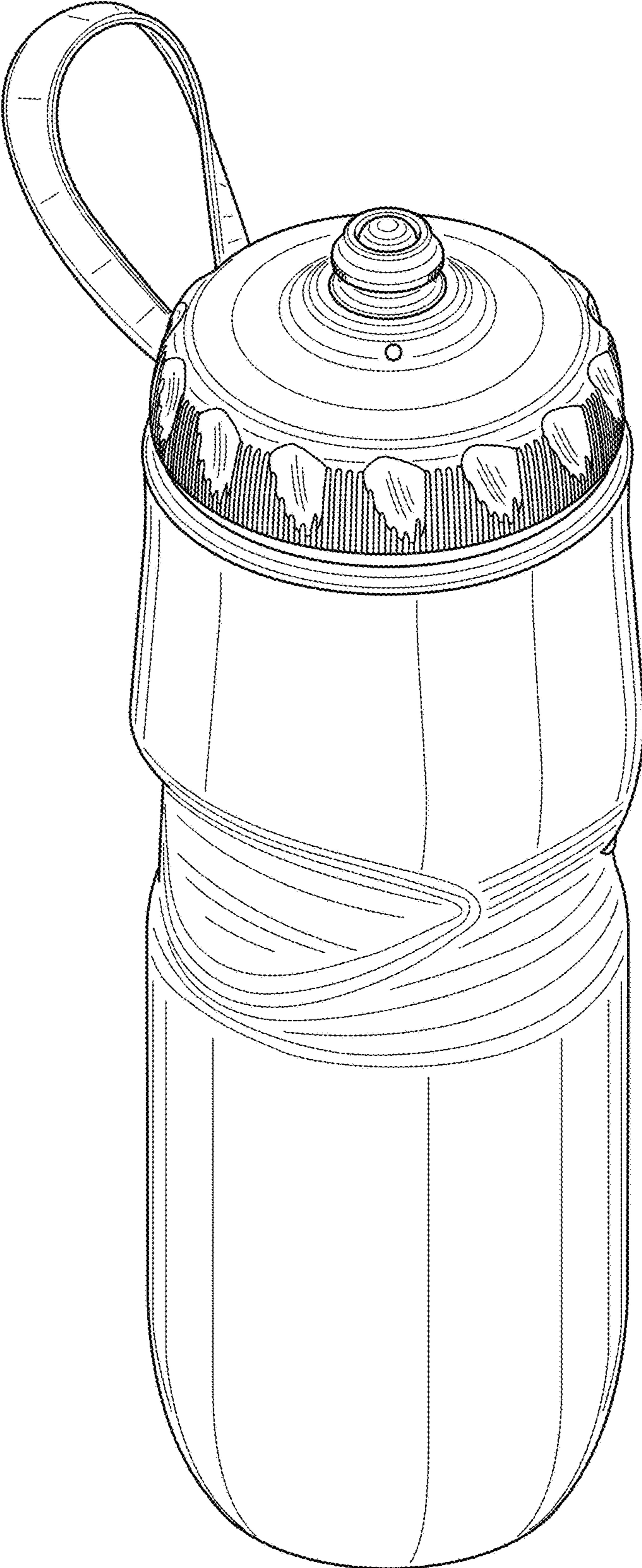


FIG.1

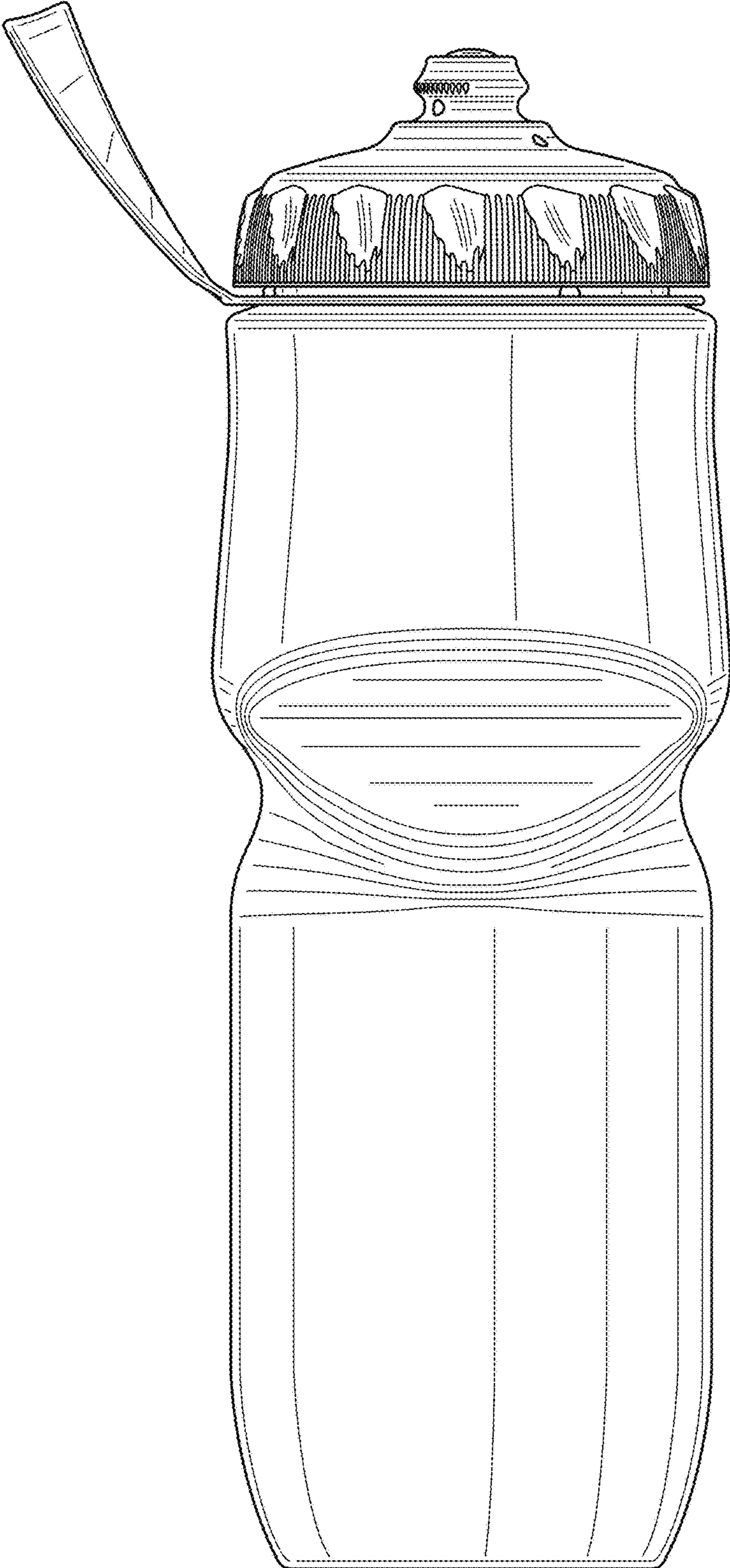


FIG. 2

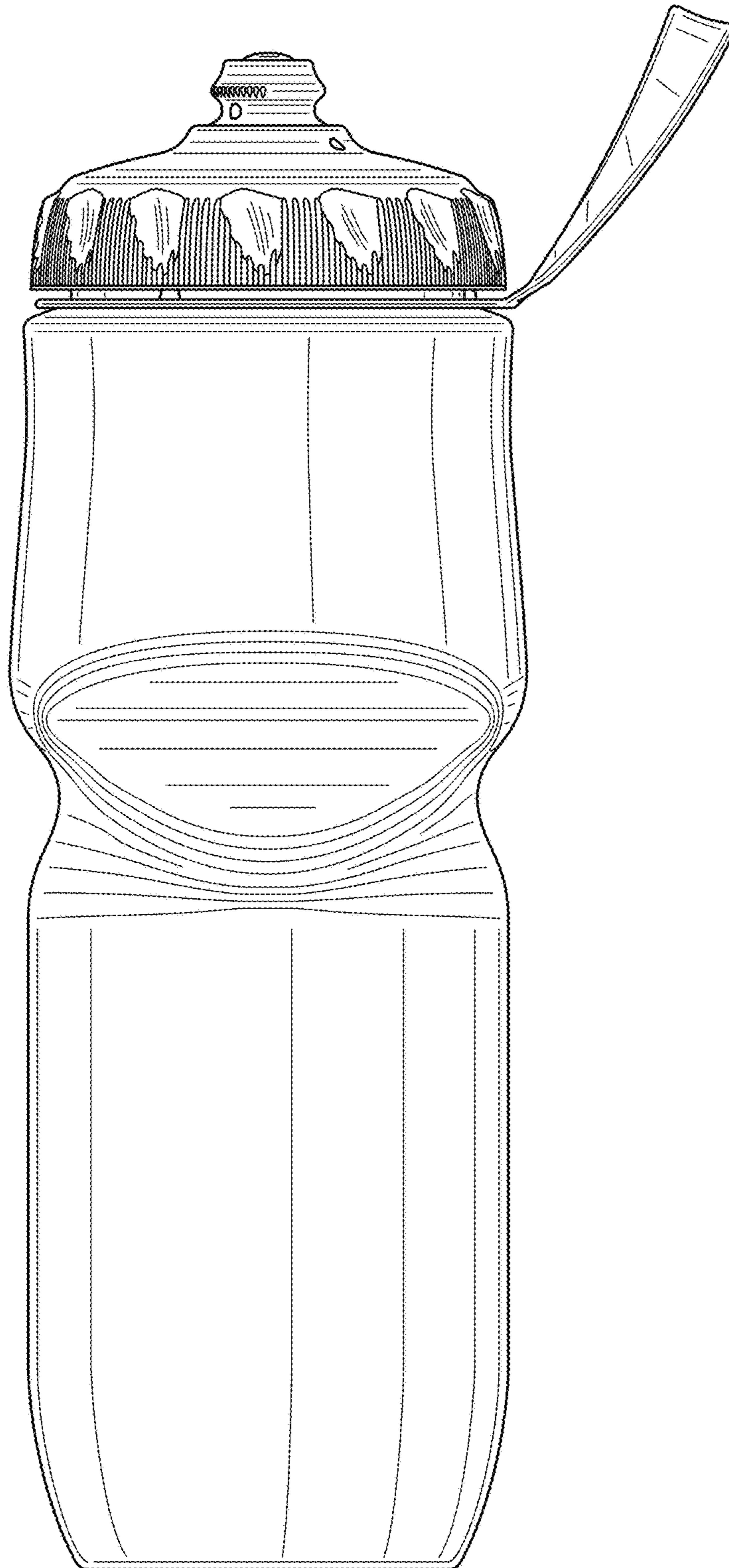


FIG. 3

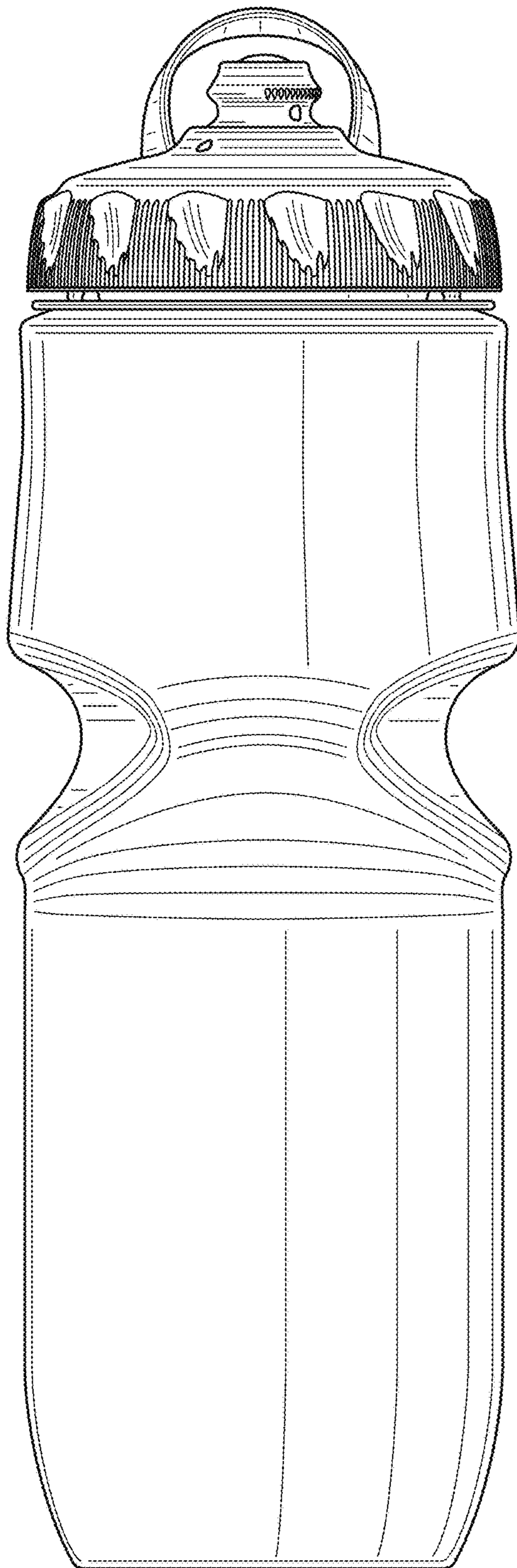


FIG.4

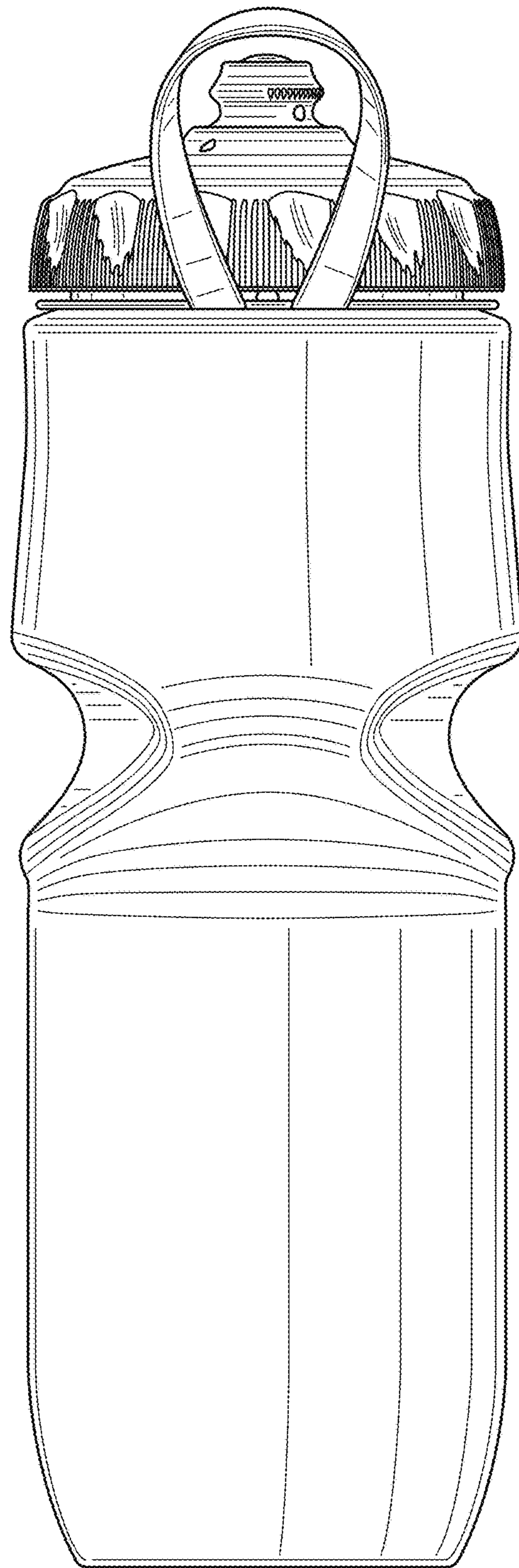


FIG.5

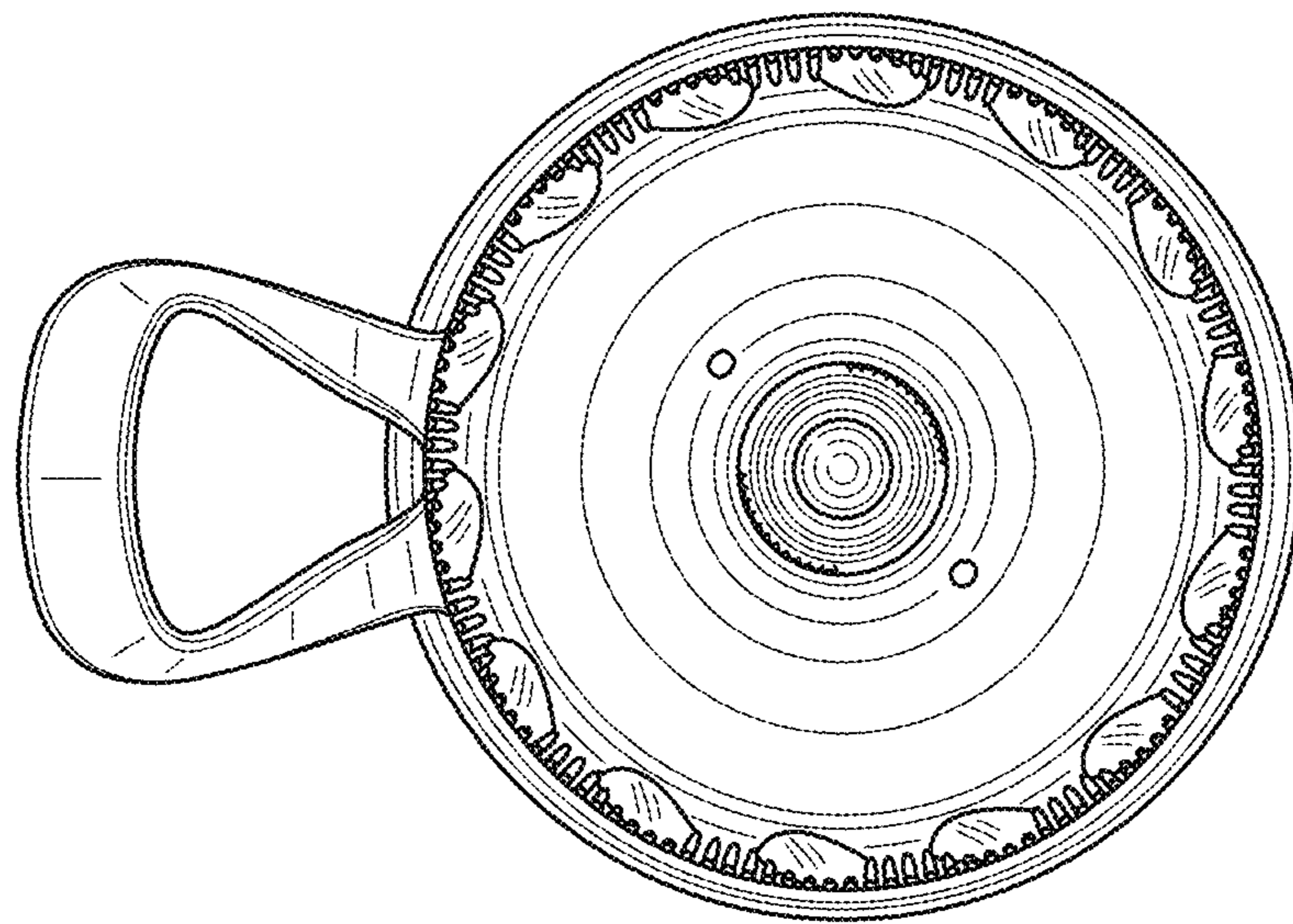


FIG.6

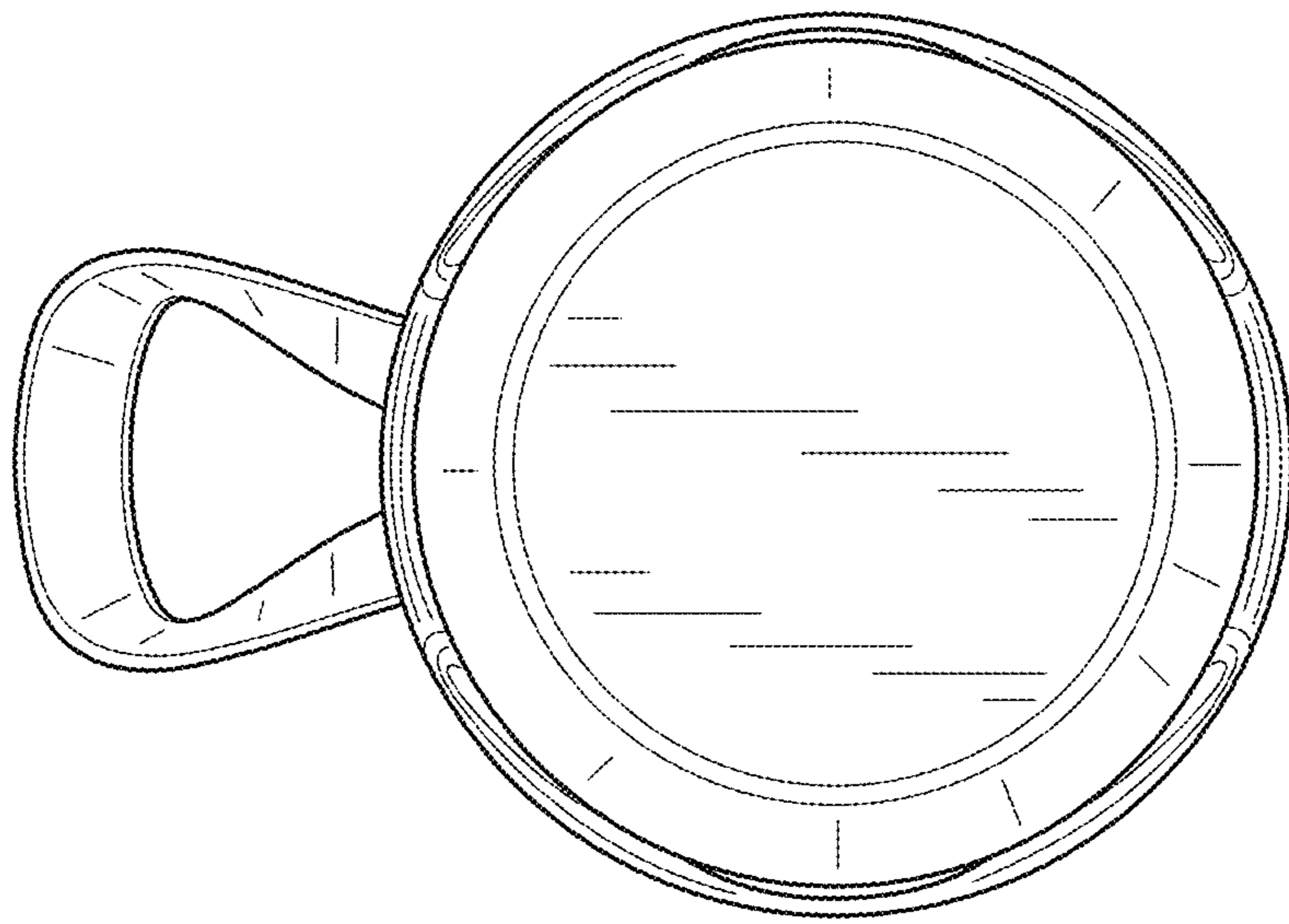


FIG.7