



US00D808217S

(12) **United States Design Patent**
Cates

(10) **Patent No.:** **US D808,217 S**
(45) **Date of Patent:** **** *Jan. 23, 2018**

(54) **STEMWARE**

DESCRIPTION

- (71) Applicant: **RIVERHALL CAPITAL LLC**,
Fernandina Beach, FL (US)
- (72) Inventor: **Christopher Upton Cates**, Amelia
Island, FL (US)
- (73) Assignee: **RIVERHALL CAPITAL LLC**,
Fernandina Beach, FL (US)
- (*) Notice: This patent is subject to a terminal dis-
claimer.
- (**) Term: **14 Years**
- (21) Appl. No.: **29/504,409**
- (22) Filed: **Oct. 6, 2014**
- (51) **LOC (11) Cl.** **07-01**
- (52) **U.S. Cl.**
USPC **D7/507; D7/524; D7/528**
- (58) **Field of Classification Search**
USPC **D7/524-528, 537, 507, 503, 522;**
215/382; 220/703, 704, 592.16, 592.17;
229/128; 362/101

(Continued)

(56) **References Cited**

U.S. PATENT DOCUMENTS

- 1,221,641 A * 4/1917 Williams B65D 47/0814
215/235
- 1,678,588 A * 7/1928 De Gerson B65D 1/0223
215/372

(Continued)

Primary Examiner — Marianne Pandozzi
Assistant Examiner — Jae Liang
 (74) *Attorney, Agent, or Firm* — Barnes & Thornburg
 LLP; Jason Bernstein

(57) **CLAIM**

The ornamental design for a stemware, as shown and described.

FIG. 1 is a top front perspective view of a first embodiment of a stemware showing my new design, in which the neck and bowl interior wall are shown in broken lines and a portion of the coupling shown in broken lines, both features forming a part of the design;
 FIG. 2 is a bottom front perspective view thereof;
 FIG. 3 is a front elevational view thereof;
 FIG. 4 is a top view thereof;
 FIG. 5 is a bottom view thereof;
 FIG. 6 is a bottom front perspective view thereof showing the base and stem detached from the neck and bowl;
 FIG. 7 is a top front perspective view of a second embodiment of a stemware, in which the neck and bowl interior wall are shown in broken lines and a portion of the coupling shown in broken lines, both features forming a part of the design;
 FIG. 8 is a bottom front perspective view thereof;
 FIG. 9 is a front elevational view thereof;
 FIG. 10 is a top view thereof;
 FIG. 11 is a bottom view thereof;
 FIG. 12 is a bottom front perspective view thereof showing the base and stem detached from the neck and bowl;
 FIG. 13 is a top front perspective view of a third embodiment of a stemware, in which the neck and bowl interior wall are shown in broken lines and a portion of the coupling shown in broken lines, both features forming a part of the design;
 FIG. 14 is a bottom front perspective view thereof;
 FIG. 15 is a front elevational view thereof;
 FIG. 16 is a top view thereof;
 FIG. 17 is a bottom view thereof;
 FIG. 18 is a bottom front perspective view thereof showing the base and stem detached from the neck and bowl;
 FIG. 19 is a top front perspective view of a fourth embodiment of a stemware, in which the neck and bowl interior wall are shown in broken lines and forms a part of the design;
 FIG. 20 is a bottom front perspective view thereof;
 FIG. 21 is a front elevational view thereof;
 FIG. 22 is a top view thereof;
 FIG. 23 is a bottom view thereof;

(Continued)

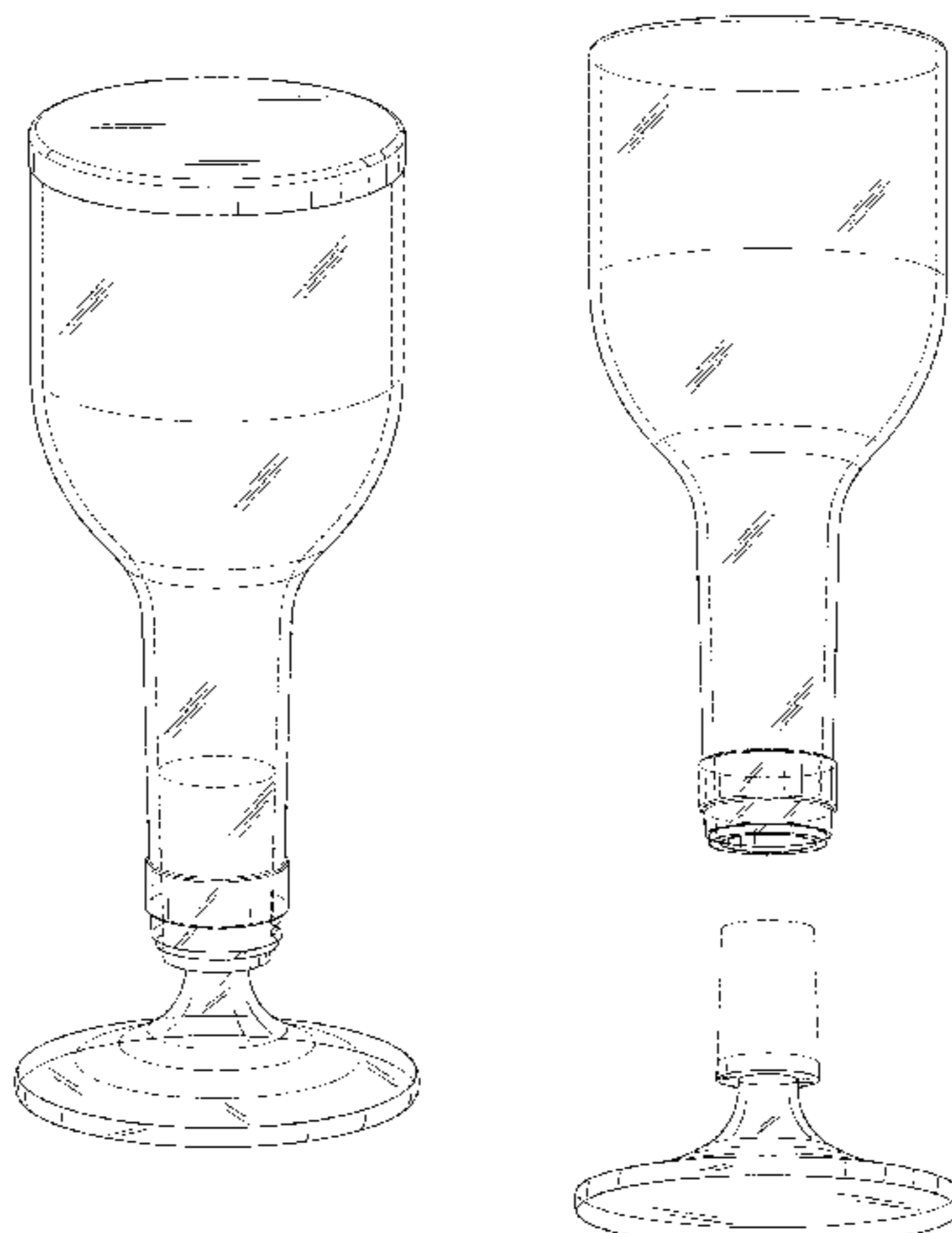


FIG. 24 is a top front perspective view of a fifth embodiment of a stemware, in which the neck and bowl interior wall are shown in broken lines and forms a part of the design;
 FIG. 25 is a bottom front perspective view thereof;
 FIG. 26 is a front elevational view thereof;
 FIG. 27 is a top view thereof;
 FIG. 28 is a bottom view thereof;
 FIG. 29 is a top front perspective view of a sixth embodiment of a stemware, in which the neck and bowl interior wall are shown in broken lines and forms a part of the design;
 FIG. 30 is a bottom front perspective view thereof;
 FIG. 31 is a front elevational view thereof;
 FIG. 32 is a top view thereof;
 FIG. 33 is a bottom view thereof;
 FIG. 34 is a top front perspective view of a seventh embodiment of a stemware, in which the neck and bowl interior wall are shown in broken lines and a portion of the coupling shown in broken lines, both features forming a part of the design;
 FIG. 35 is a bottom front perspective view thereof;
 FIG. 36 is a front elevational view thereof;
 FIG. 37 is a top view thereof;
 FIG. 38 is a bottom view thereof;
 FIG. 39 is a bottom front perspective view thereof showing the base and stem detached from the neck and bowl;
 FIG. 40 is a top front perspective view of an eighth embodiment of a stemware, in which the neck and bowl interior wall are shown in broken lines and forms a part of the design;
 FIG. 41 is a bottom front perspective view thereof;
 FIG. 42 is a front elevational view thereof;
 FIG. 43 is a top view thereof; and,
 FIG. 44 is a bottom view thereof.
 The broken lines in the drawings depict portions of the stemware that form no part of the claimed design.

1 Claim, 36 Drawing Sheets

(58) Field of Classification Search

CPC . A47G 19/2205; A47G 19/28; A47G 19/2255
 See application file for complete search history.

(56) References Cited

U.S. PATENT DOCUMENTS

D89,309 S * 2/1933 Rossiter D7/524
 D90,928 S * 10/1933 Rosenmerkle D7/524
 1,953,723 A * 4/1934 Quante A47G 19/2205
 215/374

2,224,319 A * 12/1940 Schroyer A47G 19/2227
 215/377
 2,532,181 A * 11/1950 Moore A47G 19/2227
 362/101
 D161,115 S * 12/1950 Meier D7/524
 3,374,344 A * 3/1968 Rudolph A47G 19/2227
 362/101
 3,482,731 A * 12/1969 Douty B65D 7/04
 215/377
 3,526,335 A * 9/1970 Swett A47G 19/2255
 215/10
 3,735,113 A * 5/1973 Stott A01K 63/06
 362/101
 D254,946 S * 5/1980 Tayebi D7/528
 D262,253 S * 12/1981 Vennola D7/507
 4,681,236 A * 7/1987 Ilk A47G 19/2205
 215/374
 D355,812 S * 2/1995 DuBow D7/524
 D358,080 S * 5/1995 Handler D7/507
 D395,575 S * 6/1998 Zelle D7/531
 5,817,162 A * 10/1998 Penrith A47G 19/2255
 215/387
 D419,379 S * 1/2000 Madden D7/515
 6,164,473 A * 12/2000 Waldrip A47G 19/2205
 215/377
 6,398,050 B1 * 6/2002 Allora A47G 19/2255
 215/228
 D474,648 S * 5/2003 Dimeo D7/523
 D509,993 S * 9/2005 Lambert D7/524
 D519,783 S * 5/2006 Lambert D7/510
 D609,049 S * 2/2010 Solhendler D7/396.6
 D700,797 S * 3/2014 Burkes D10/46.2
 D701,731 S * 4/2014 McClellan D7/524
 8,763,849 B2 * 7/2014 Benetti A47G 19/2255
 215/371
 8,833,559 B2 * 9/2014 Scott A47G 19/2205
 206/548
 2005/0092760 A1 * 5/2005 Westerhold A47G 19/2255
 220/703
 2005/0139570 A1 * 6/2005 Lambert A47G 19/2205
 215/223
 2008/0011748 A1 * 1/2008 Meyer A47G 19/2255
 220/23.83
 2008/0099364 A1 * 5/2008 Niedzwiecki A47G 19/2255
 206/517
 2009/0001043 A1 * 1/2009 Benetti A47G 19/2255
 215/377
 2012/0233968 A1 * 9/2012 Bernstein A47G 19/2205
 53/452
 2013/0075356 A1 * 3/2013 Bergida A47G 19/2205
 215/329
 2014/0299601 A1 * 10/2014 Schiavone A47G 19/2205
 220/288
 2014/0332495 A1 * 11/2014 Choi B65D 1/06
 215/378

* cited by examiner

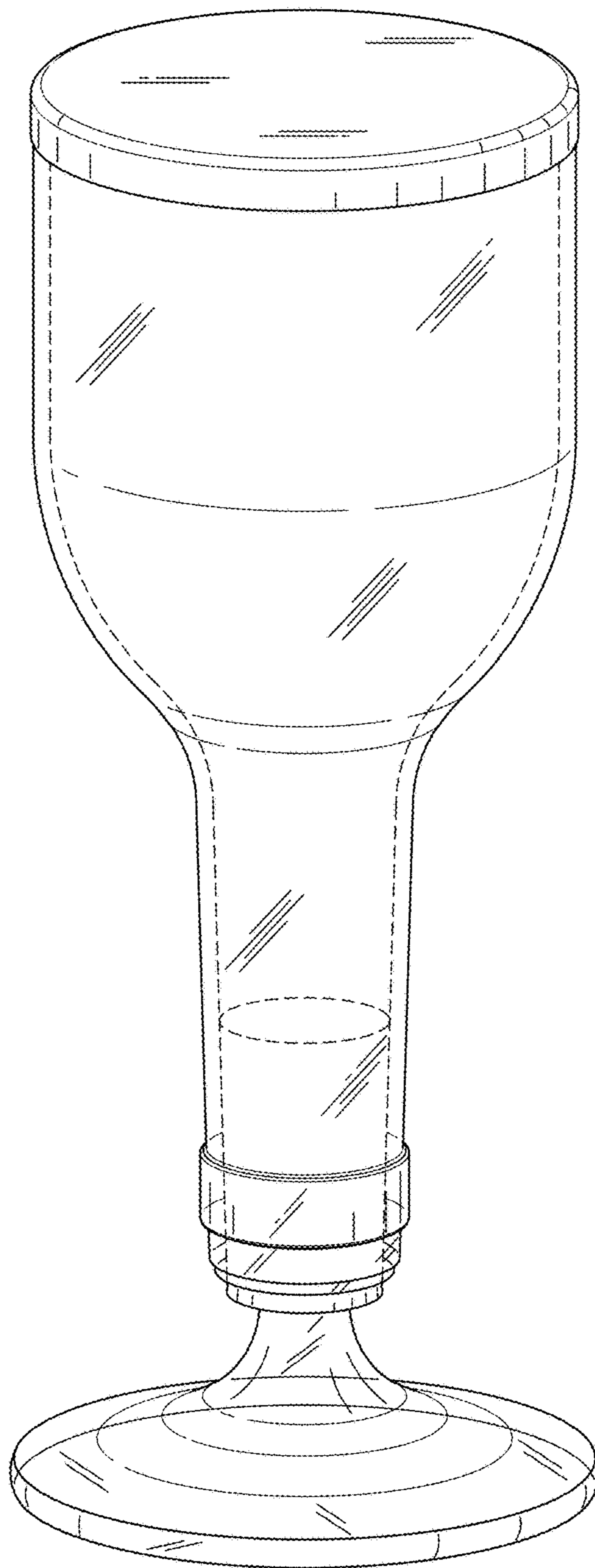


FIG. 1

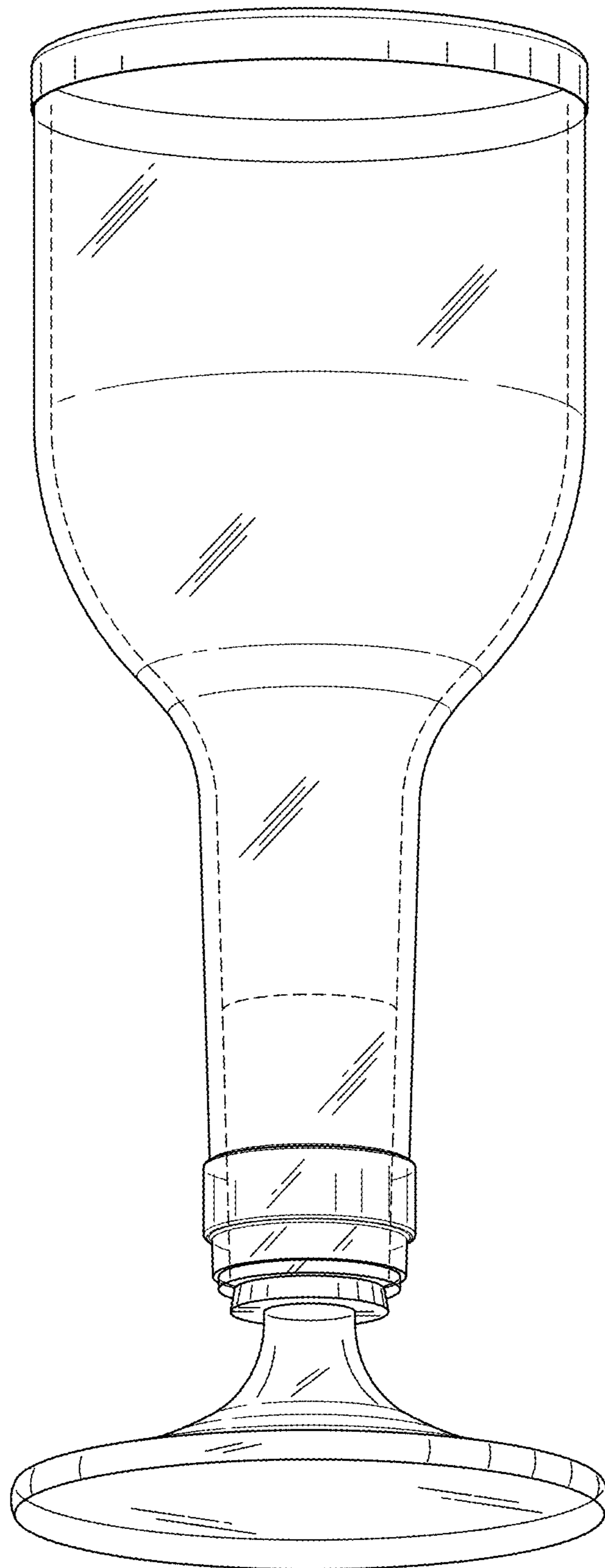


FIG. 2

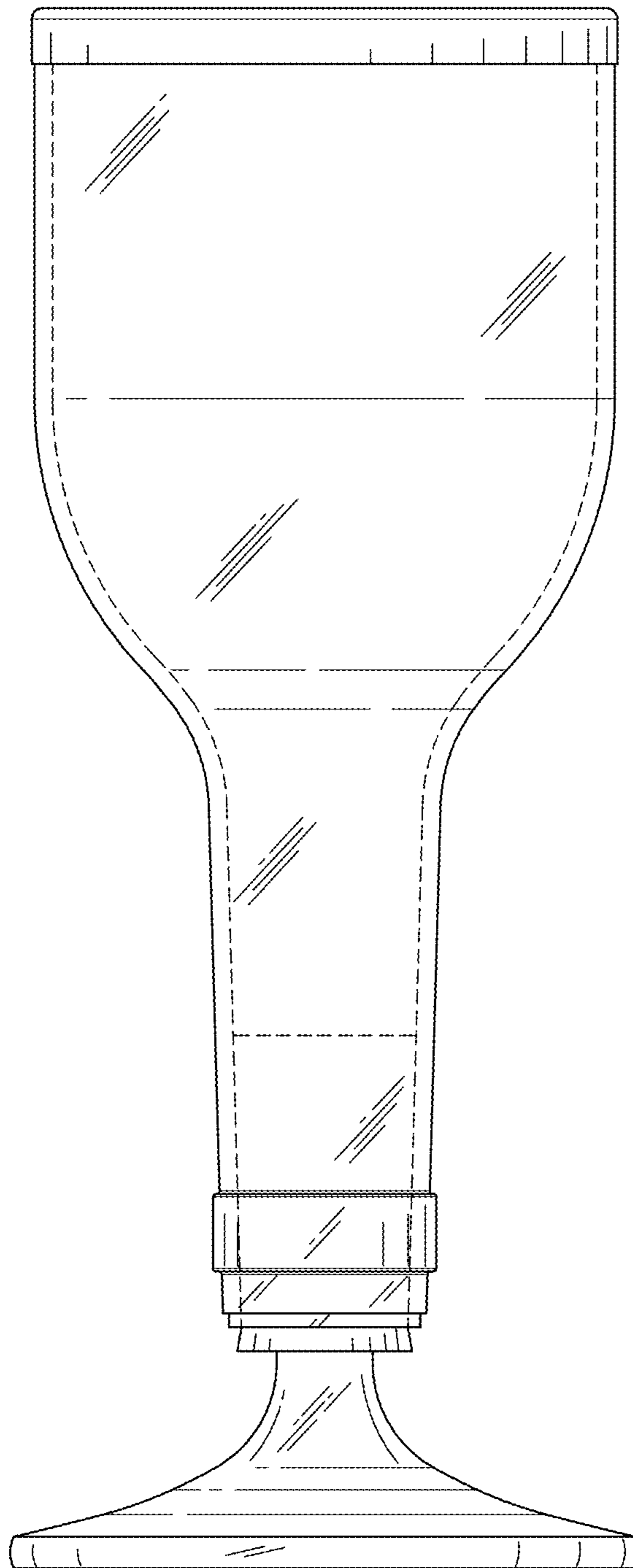


FIG. 3

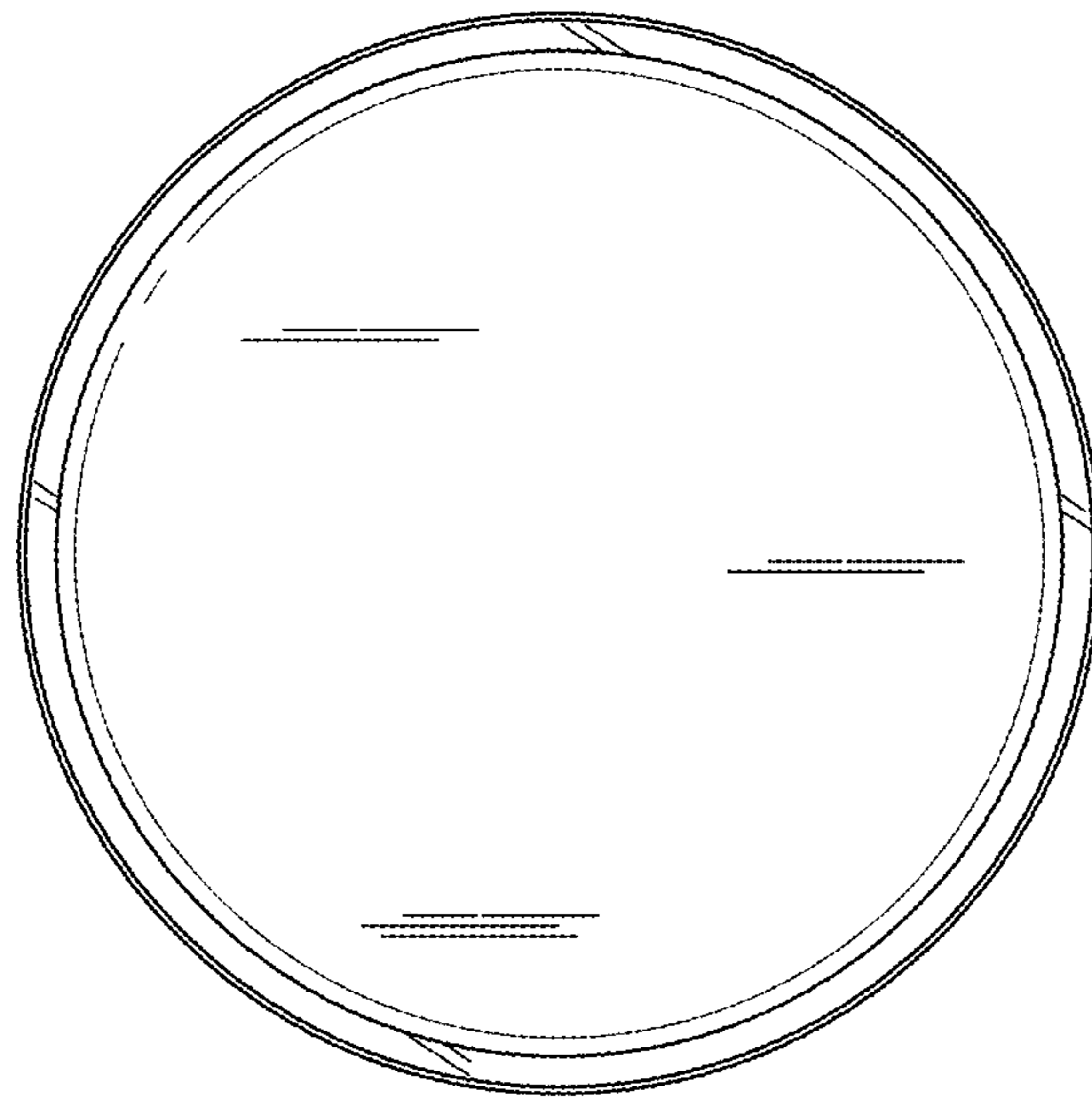


FIG. 4



FIG. 5

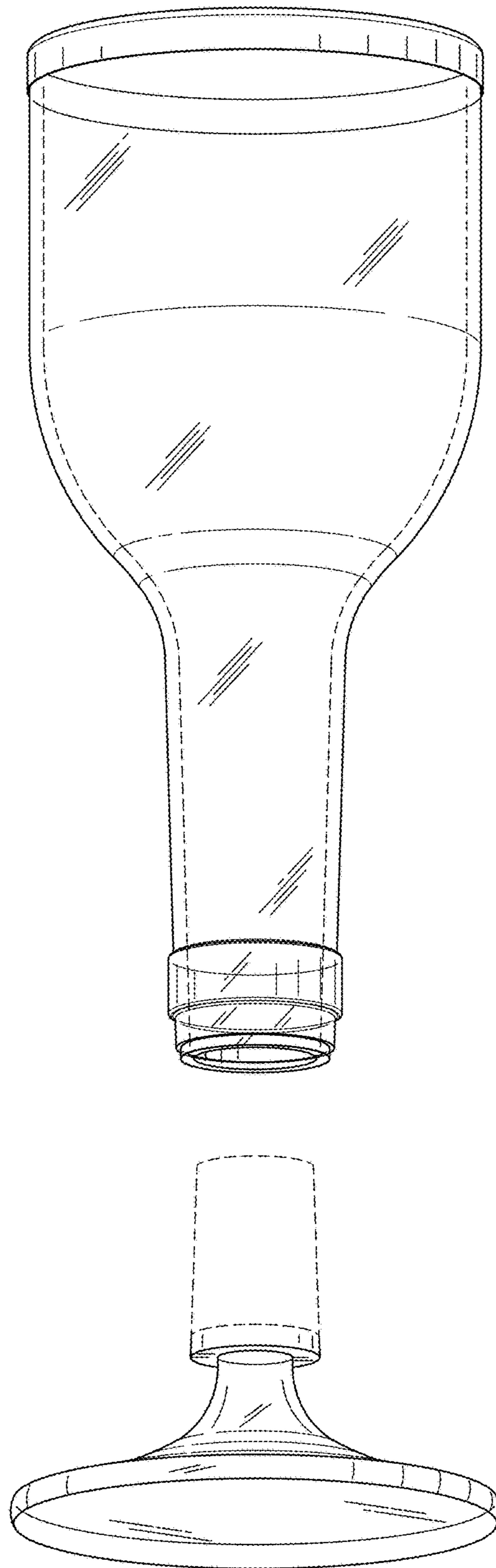


FIG. 6

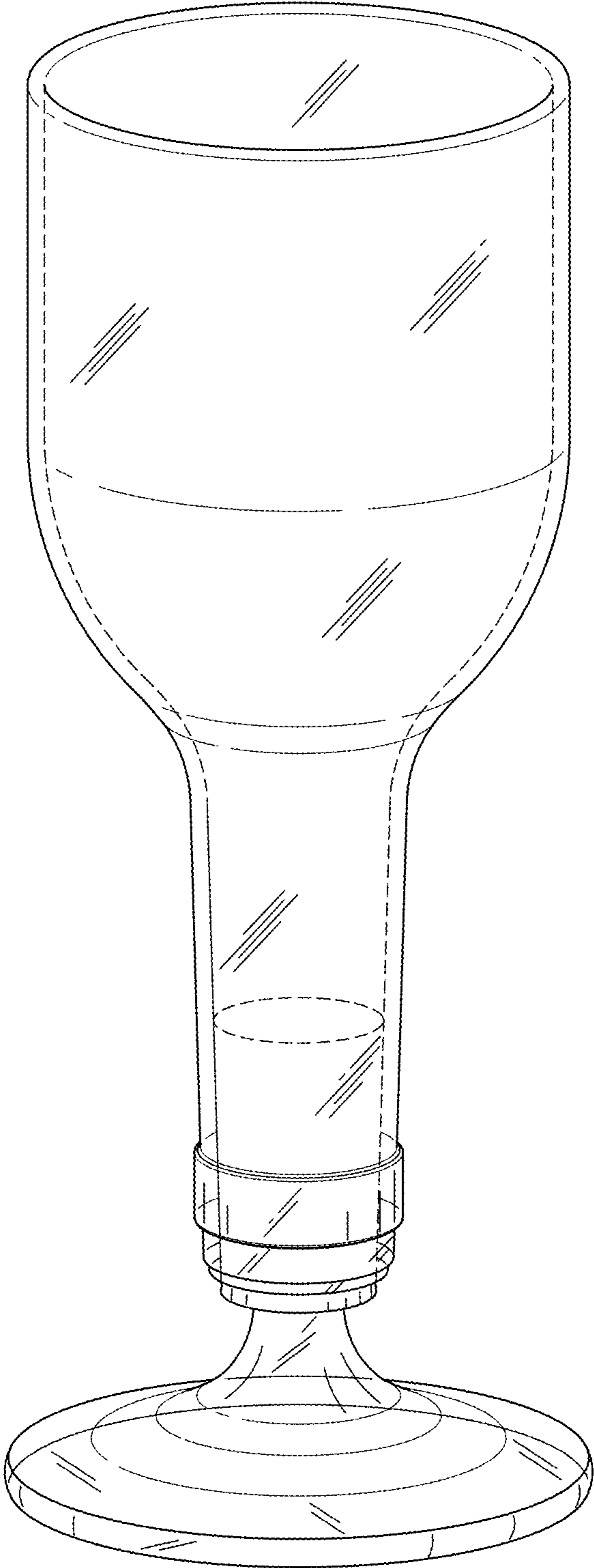


FIG. 7

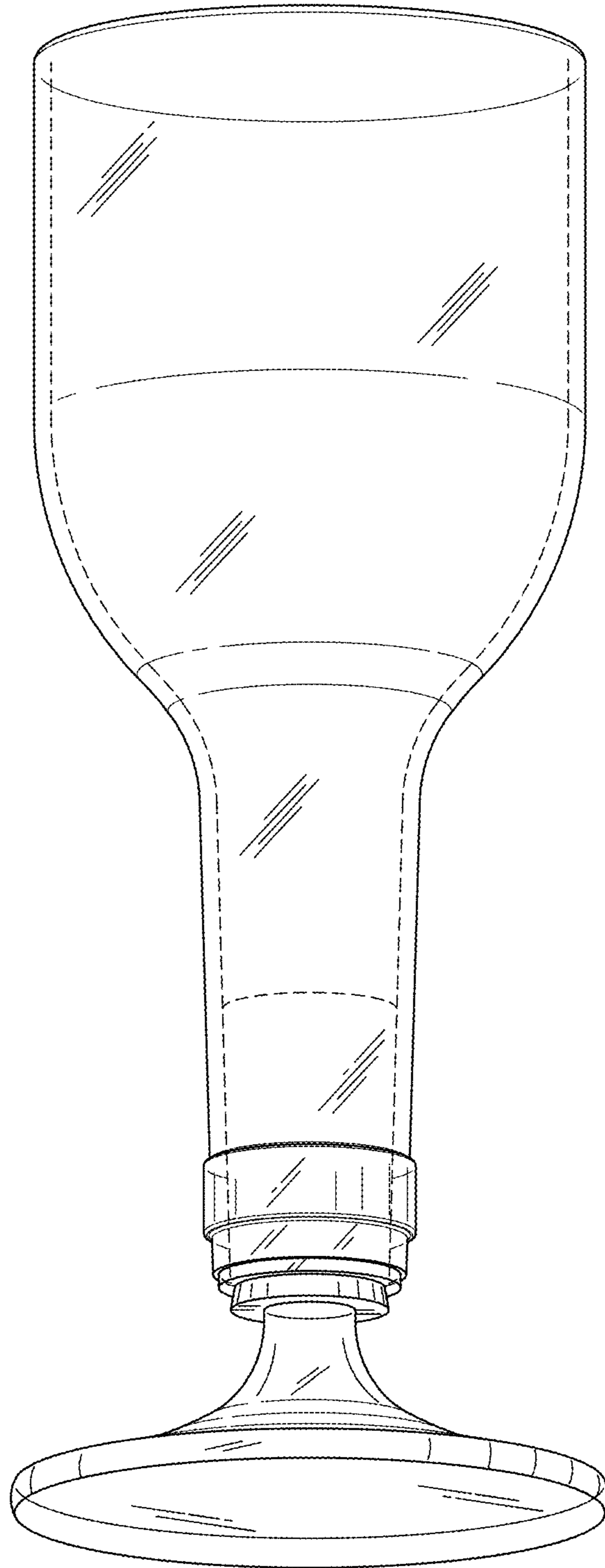


FIG. 8

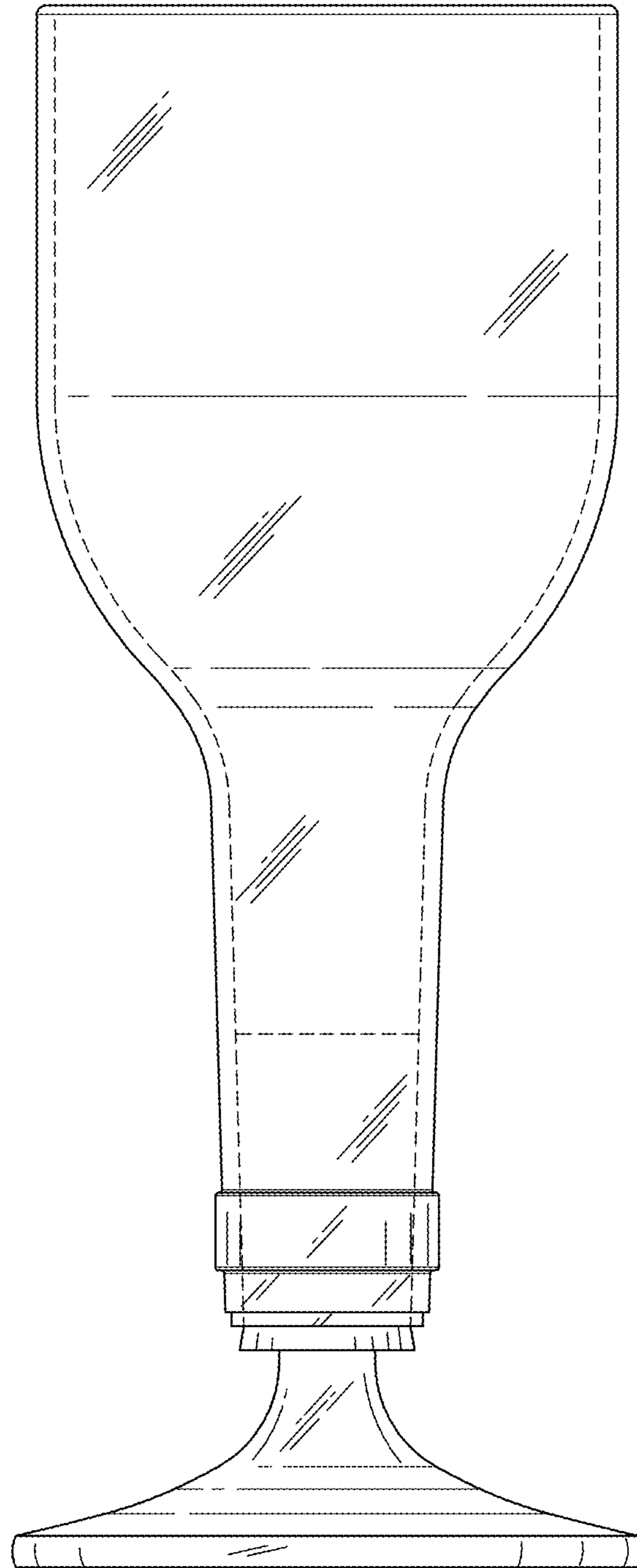


FIG. 9

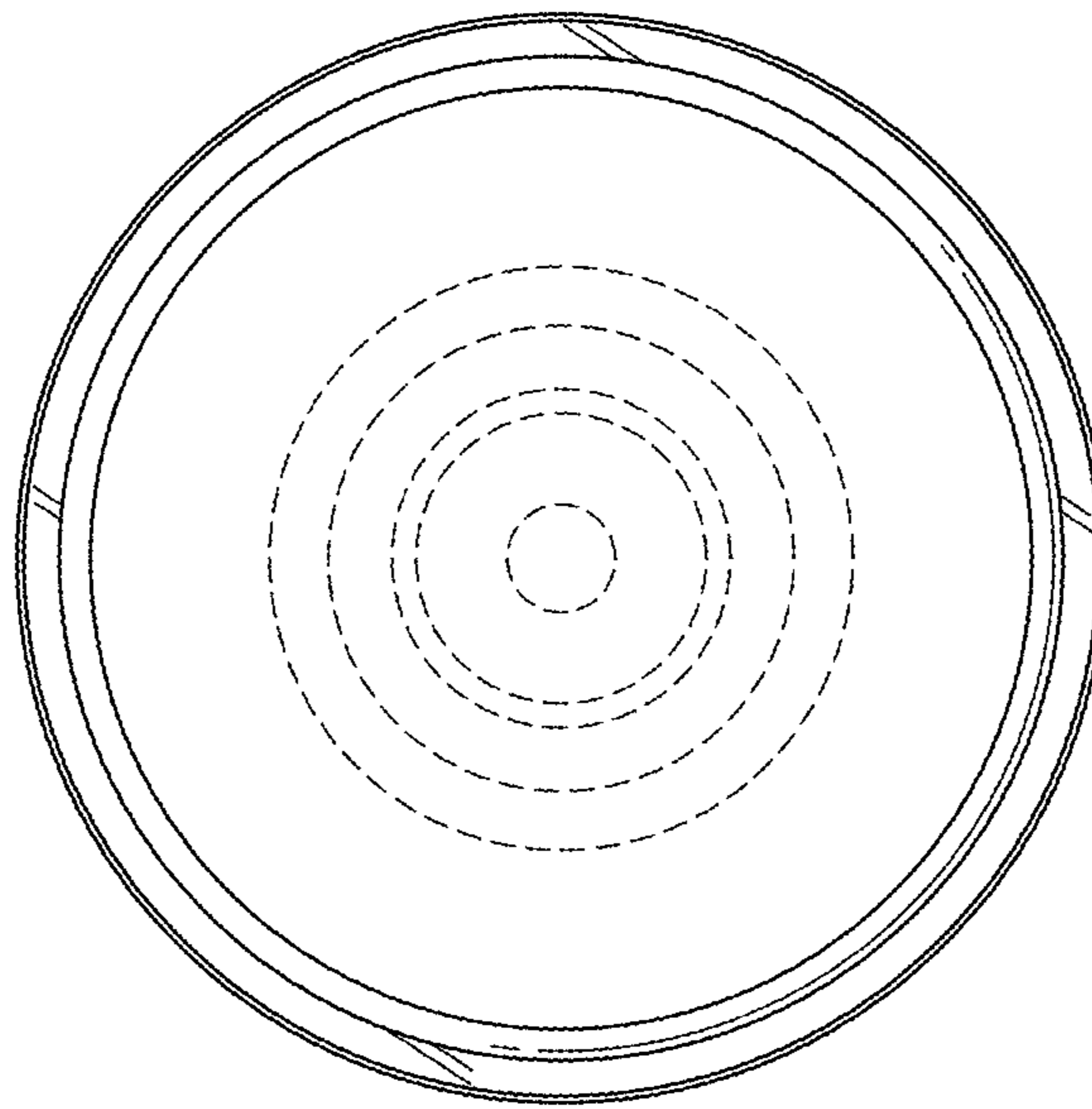


FIG. 10



FIG. 11

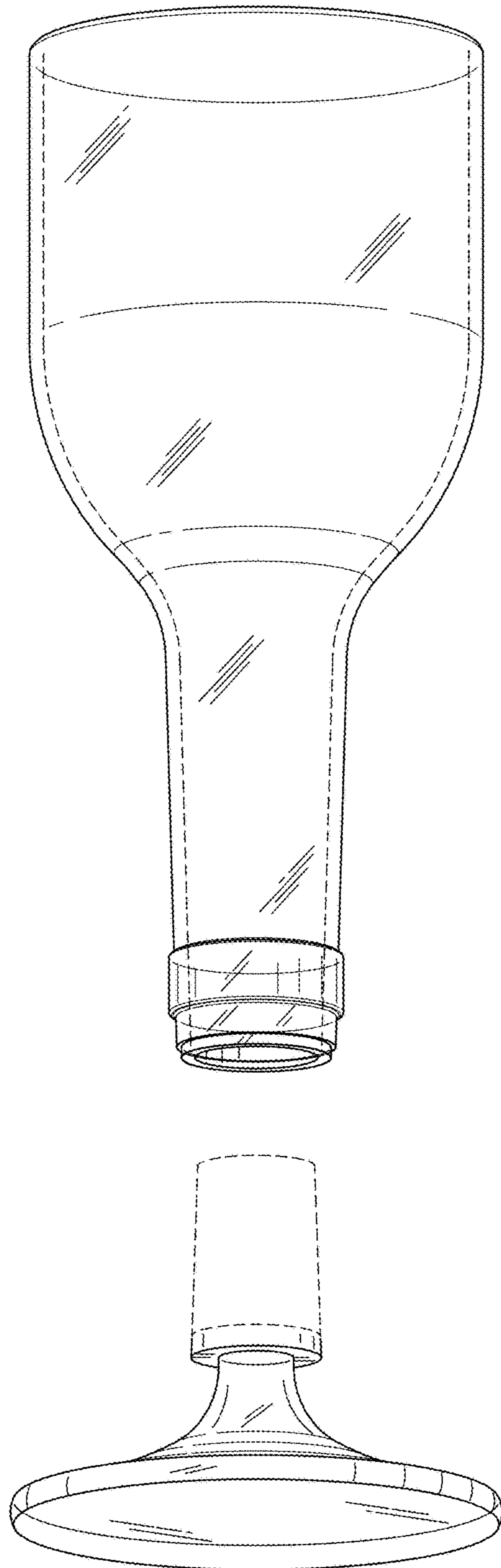


FIG. 12

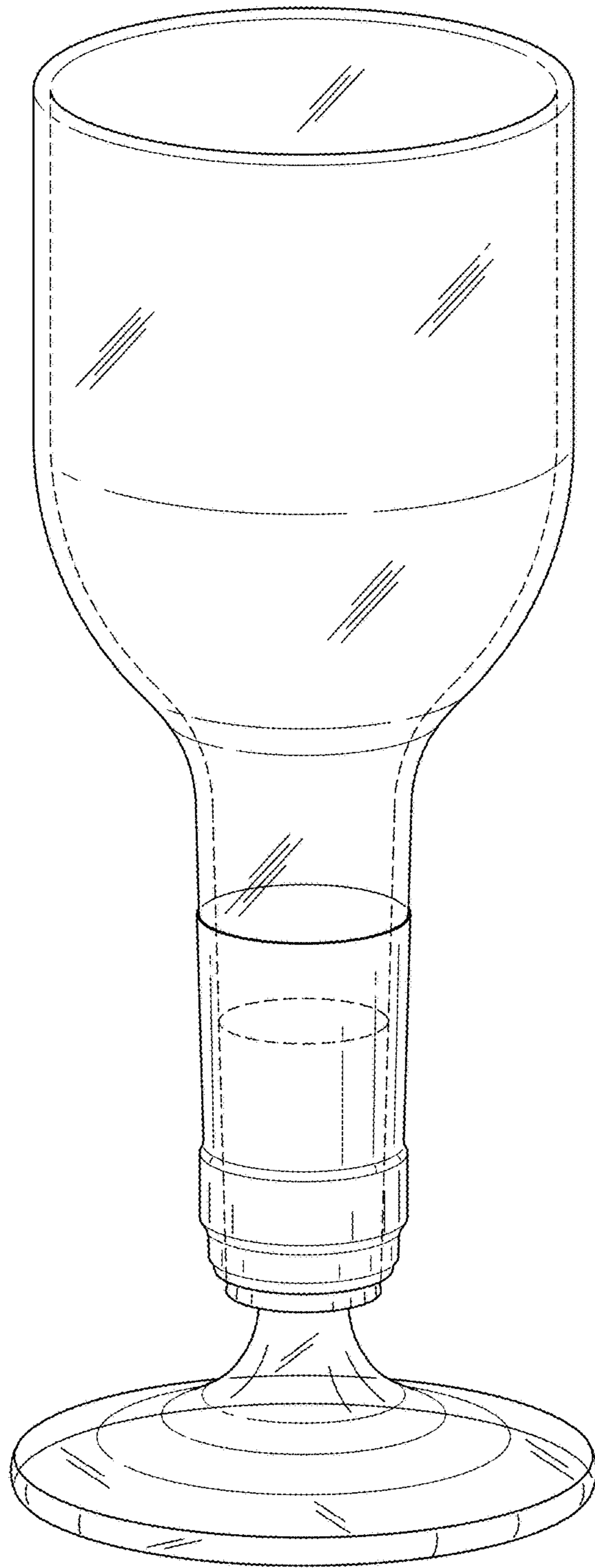


FIG. 13

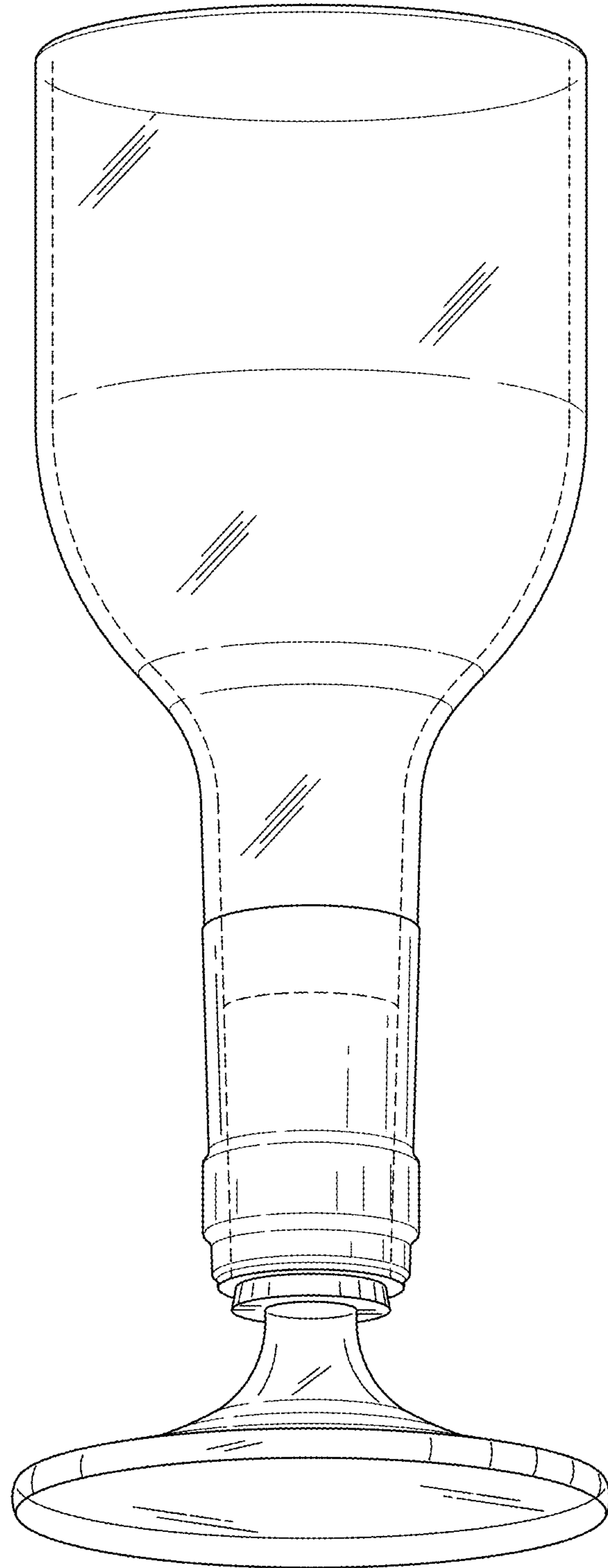


FIG. 14

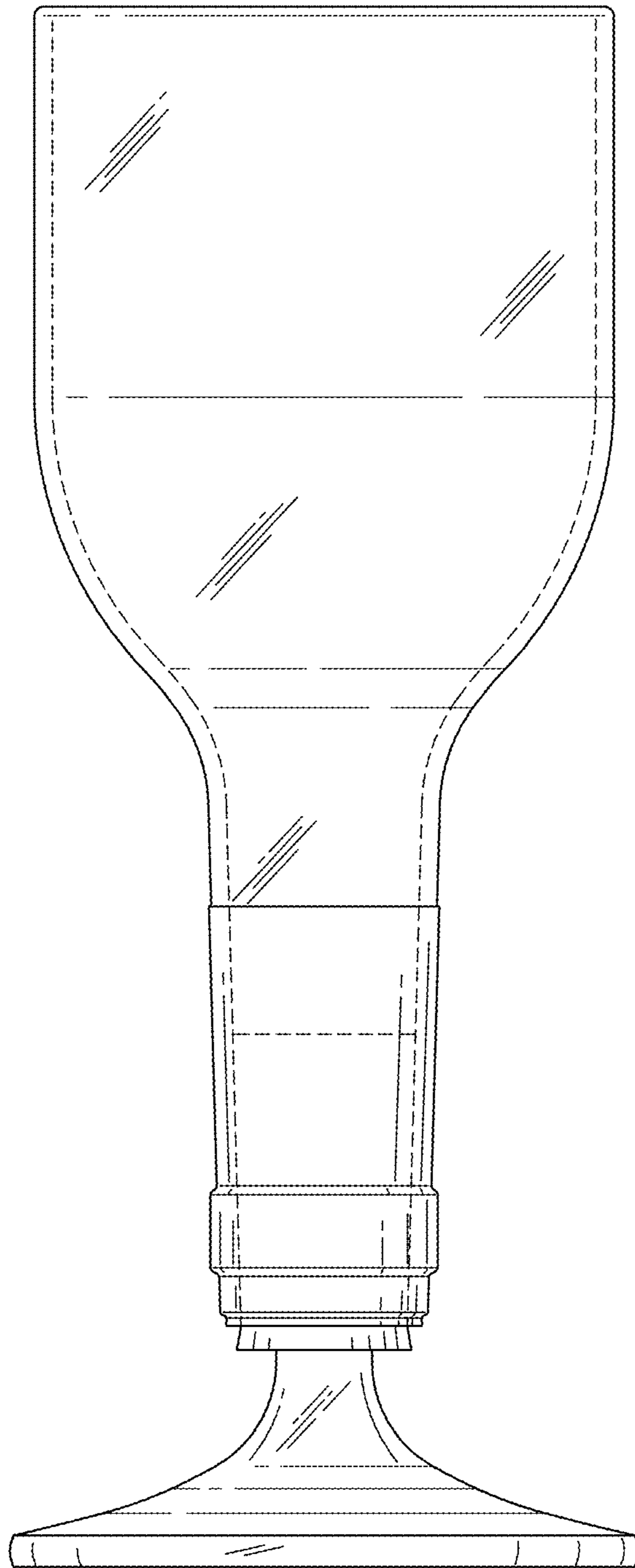


FIG. 15

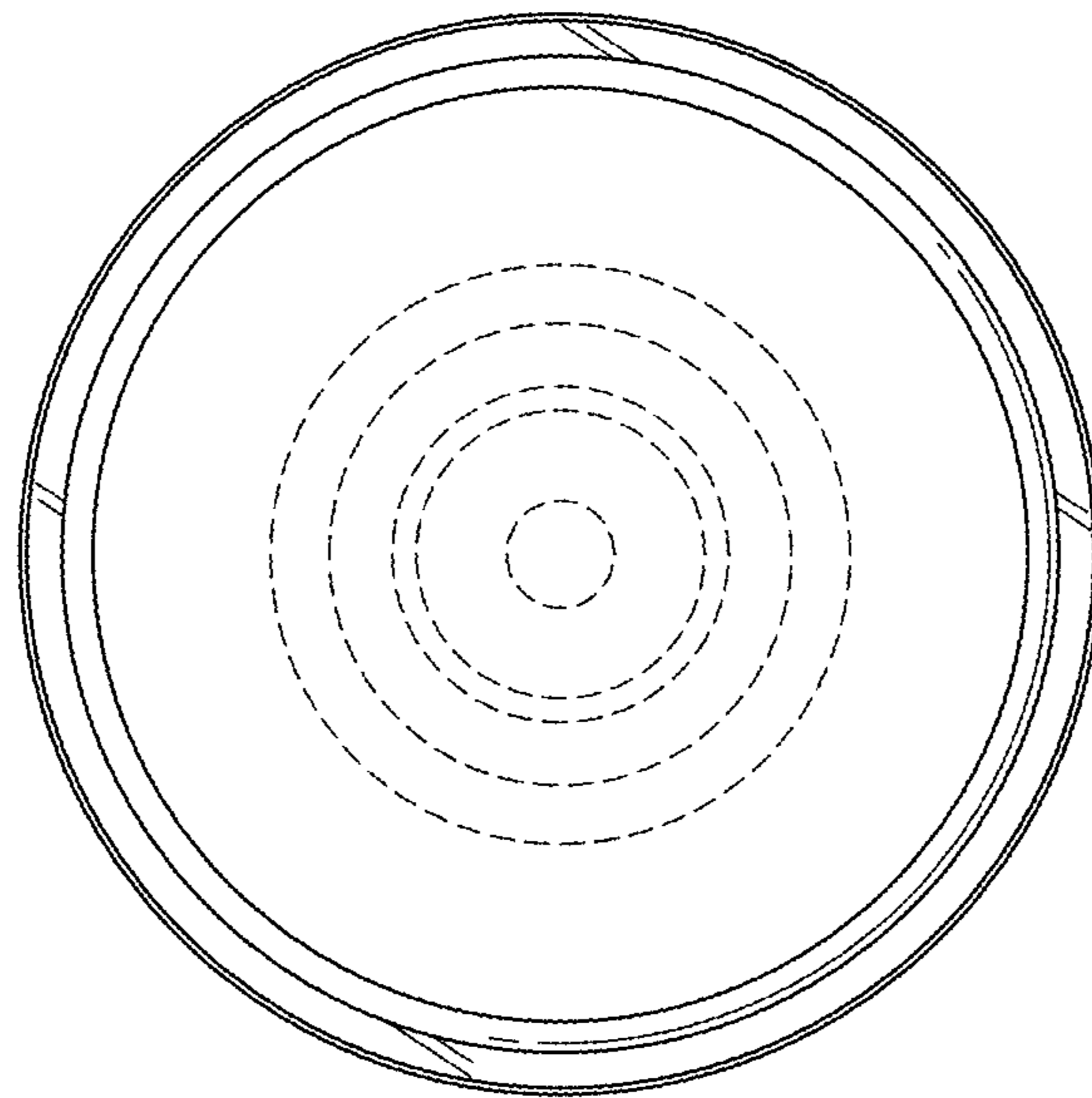


FIG. 16

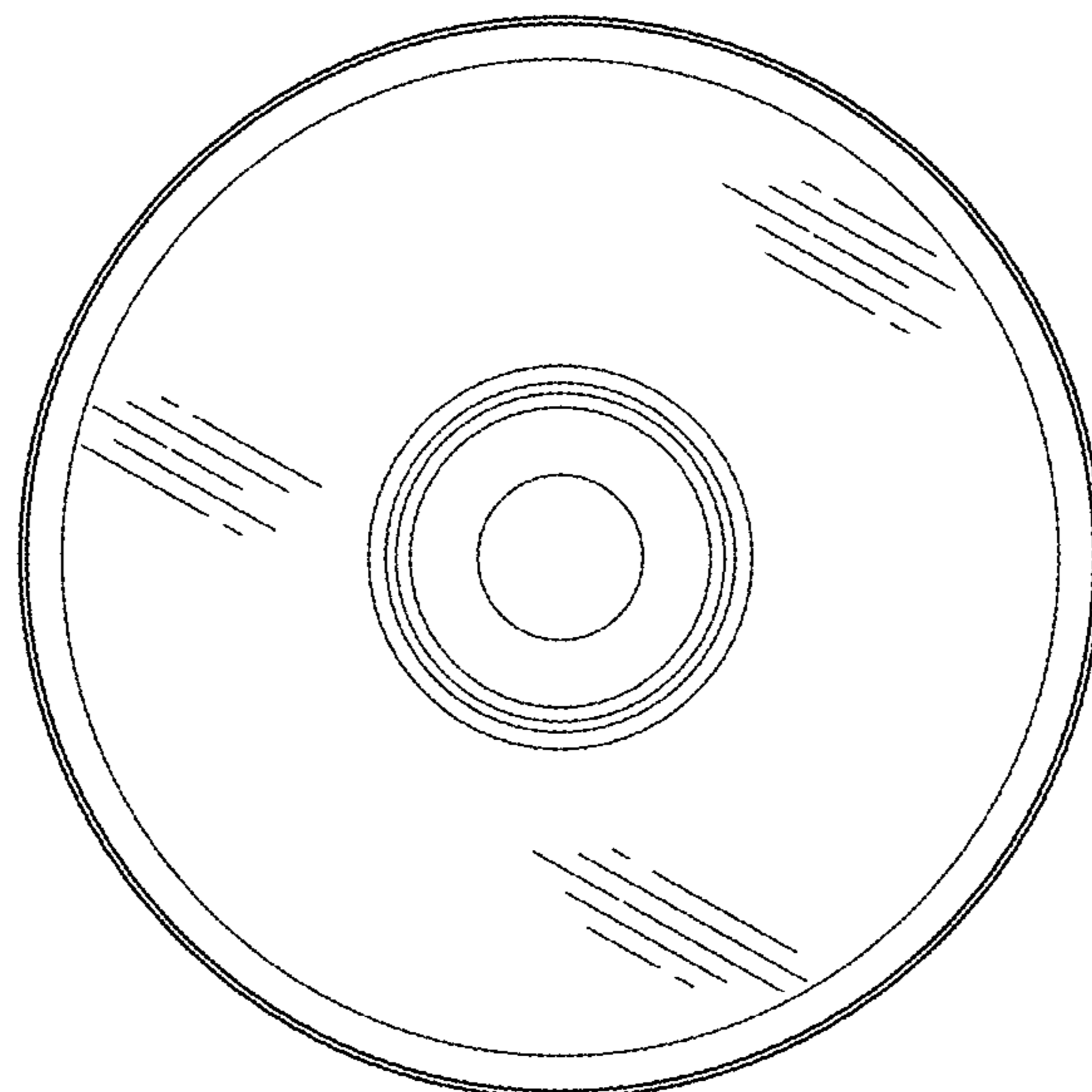


FIG. 17

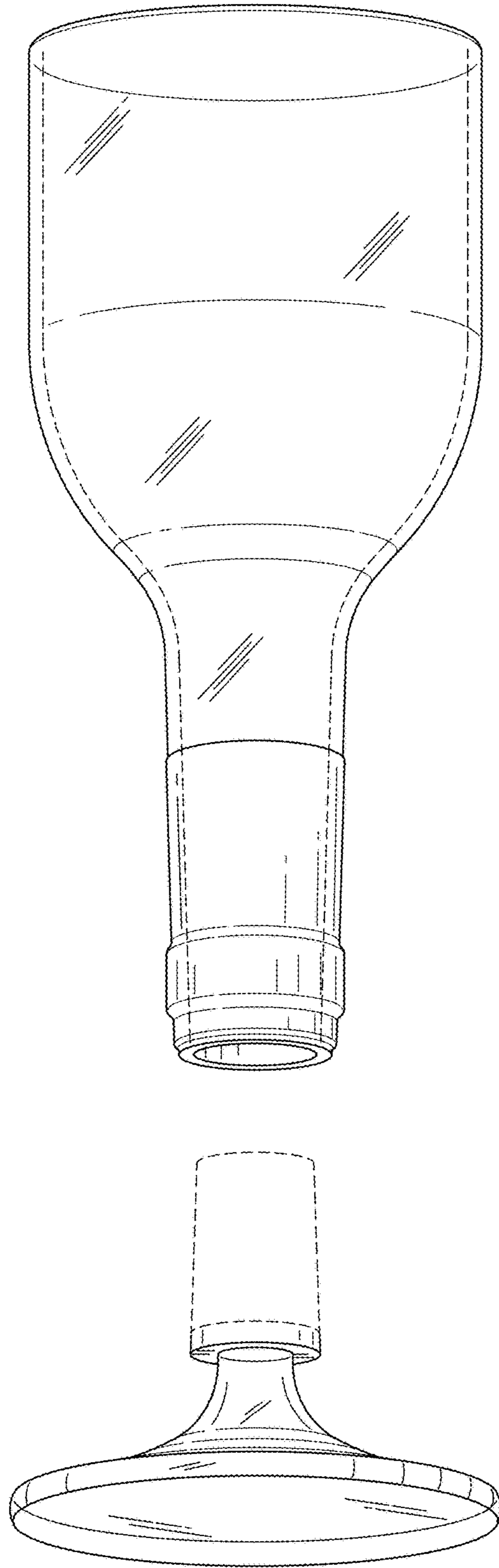


FIG. 18

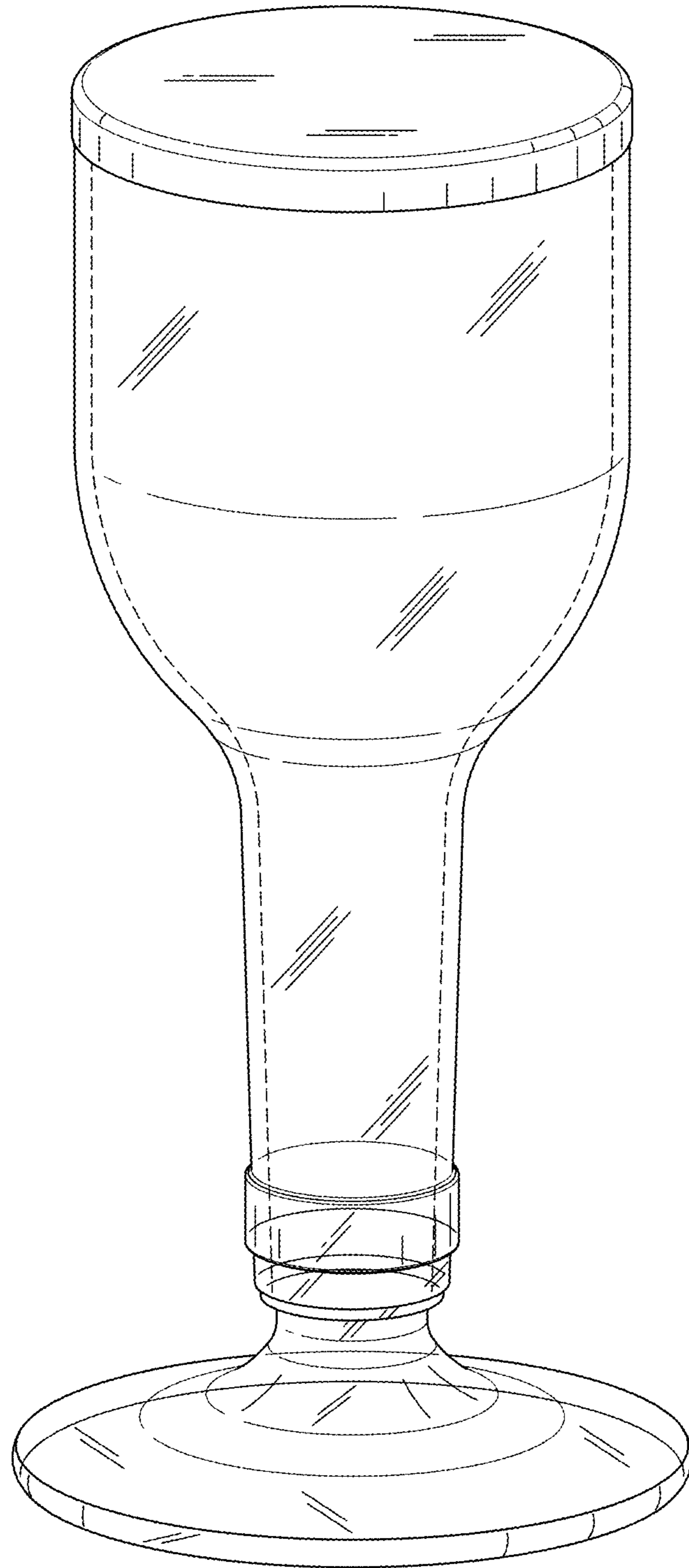


FIG. 19

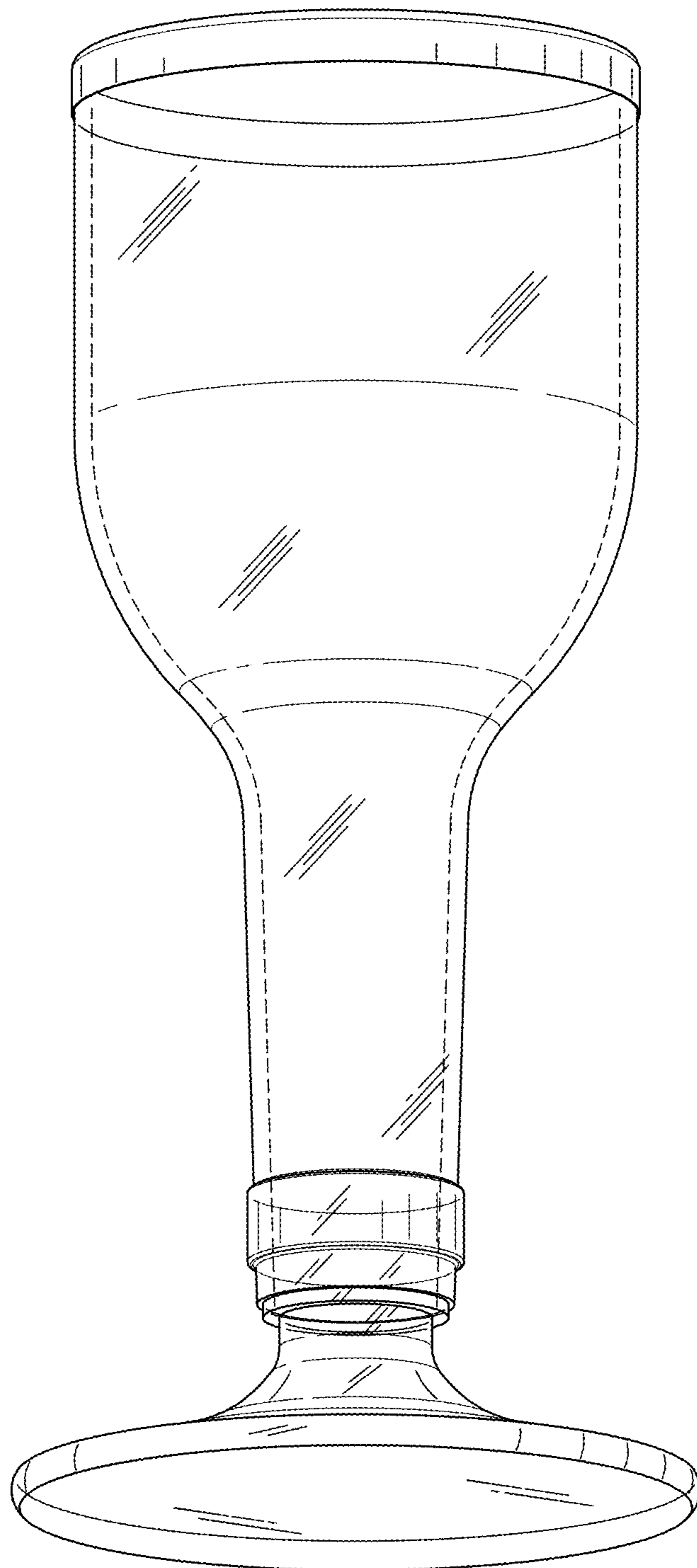


FIG. 20

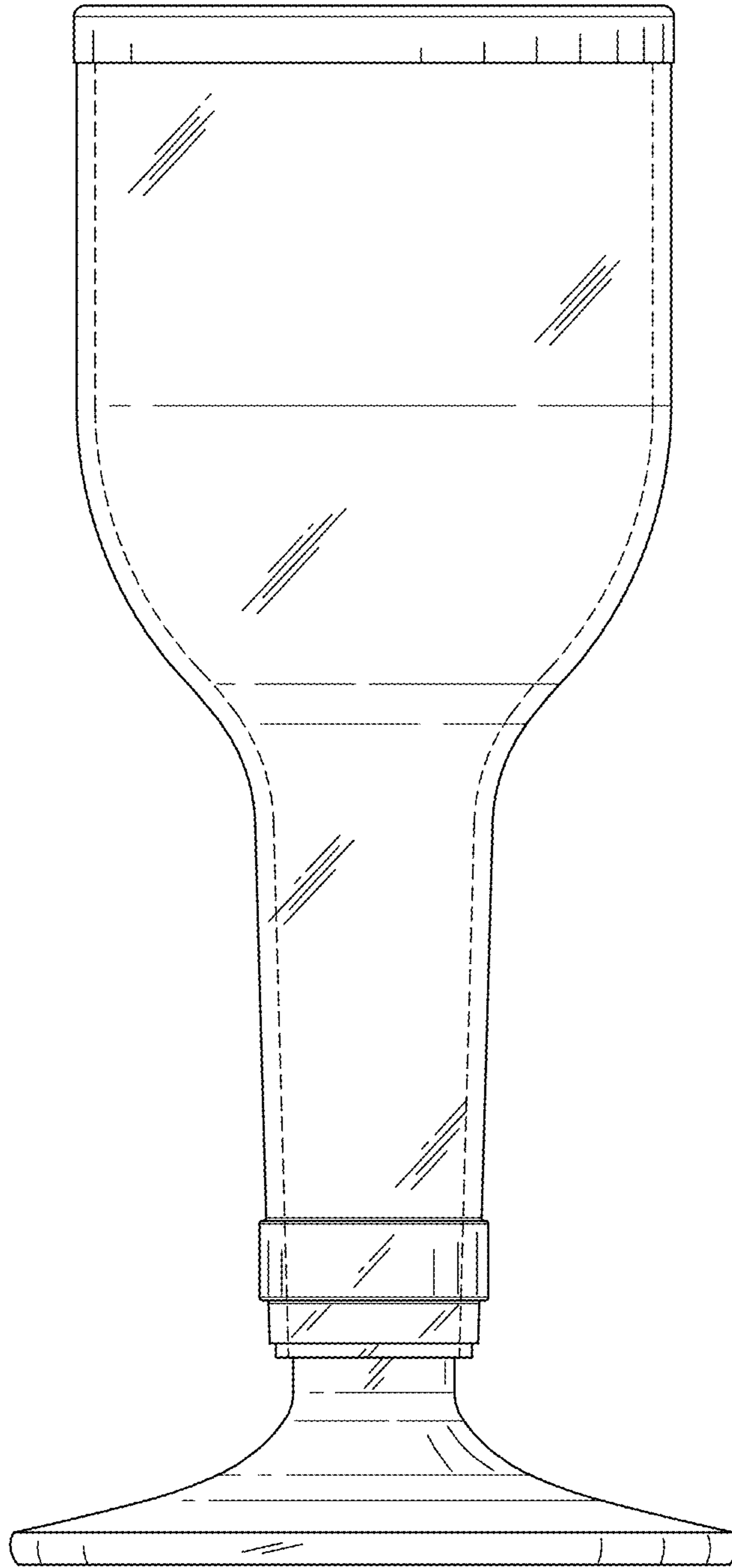


FIG. 21

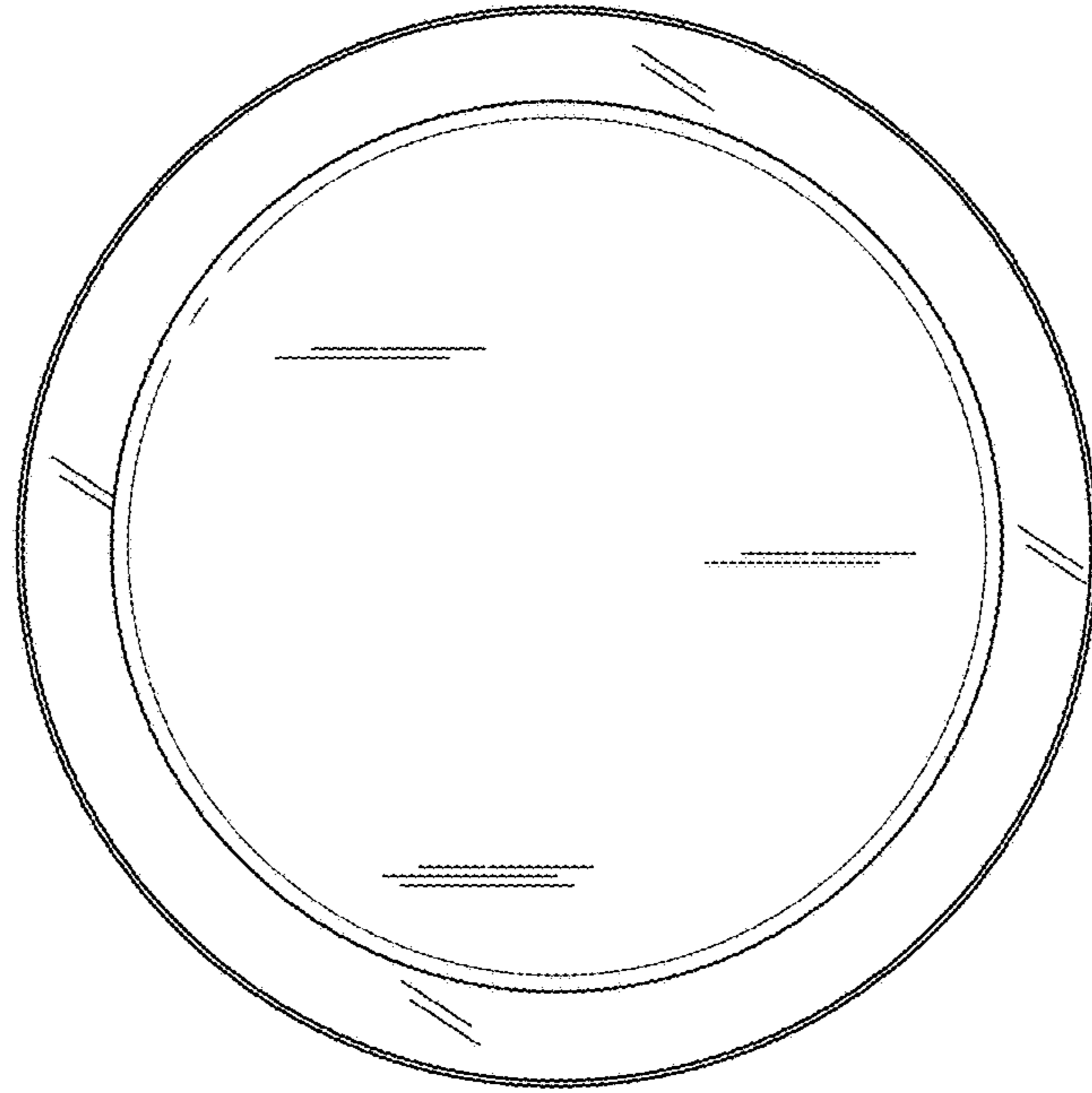


FIG. 22

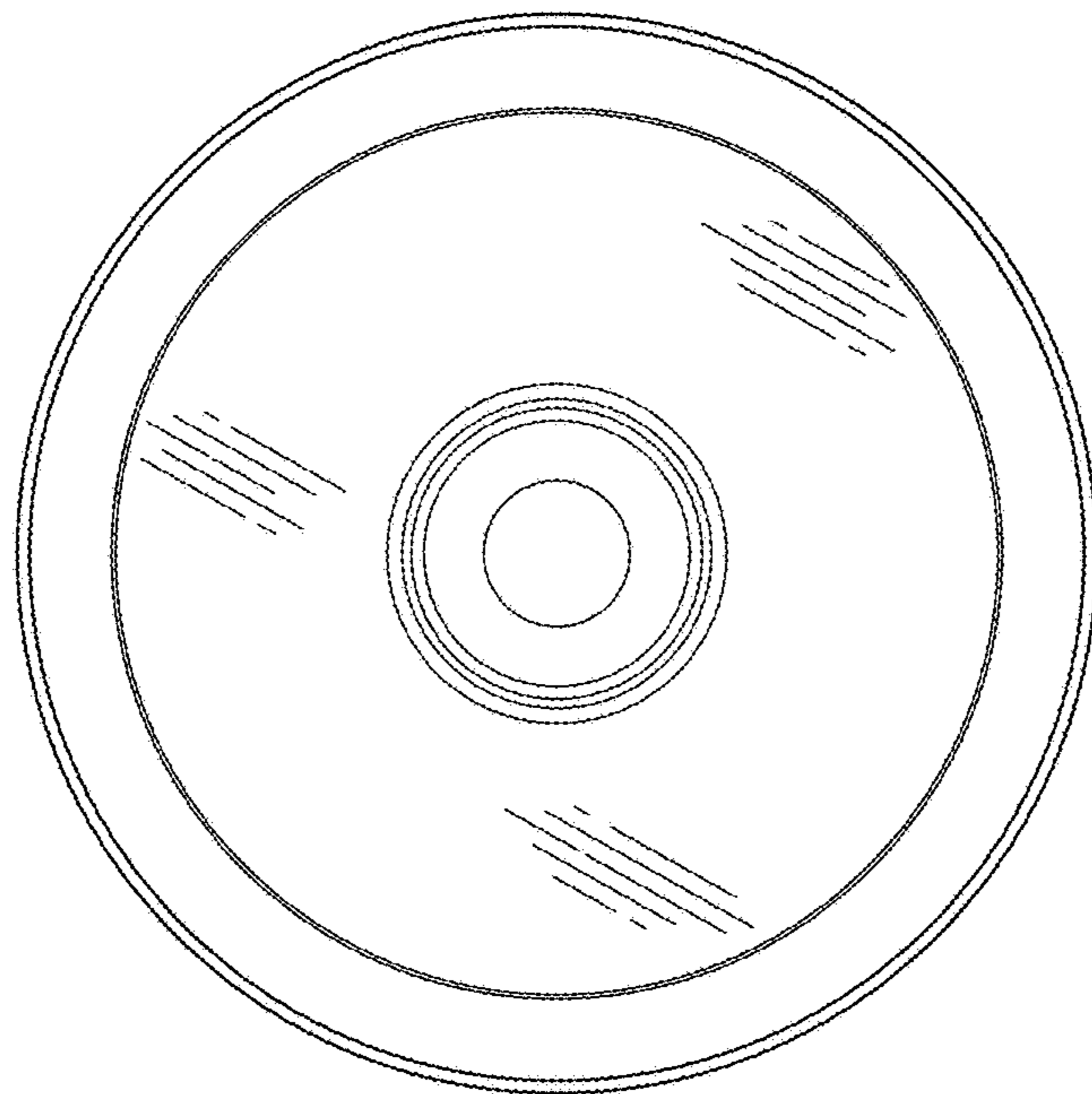


FIG. 23

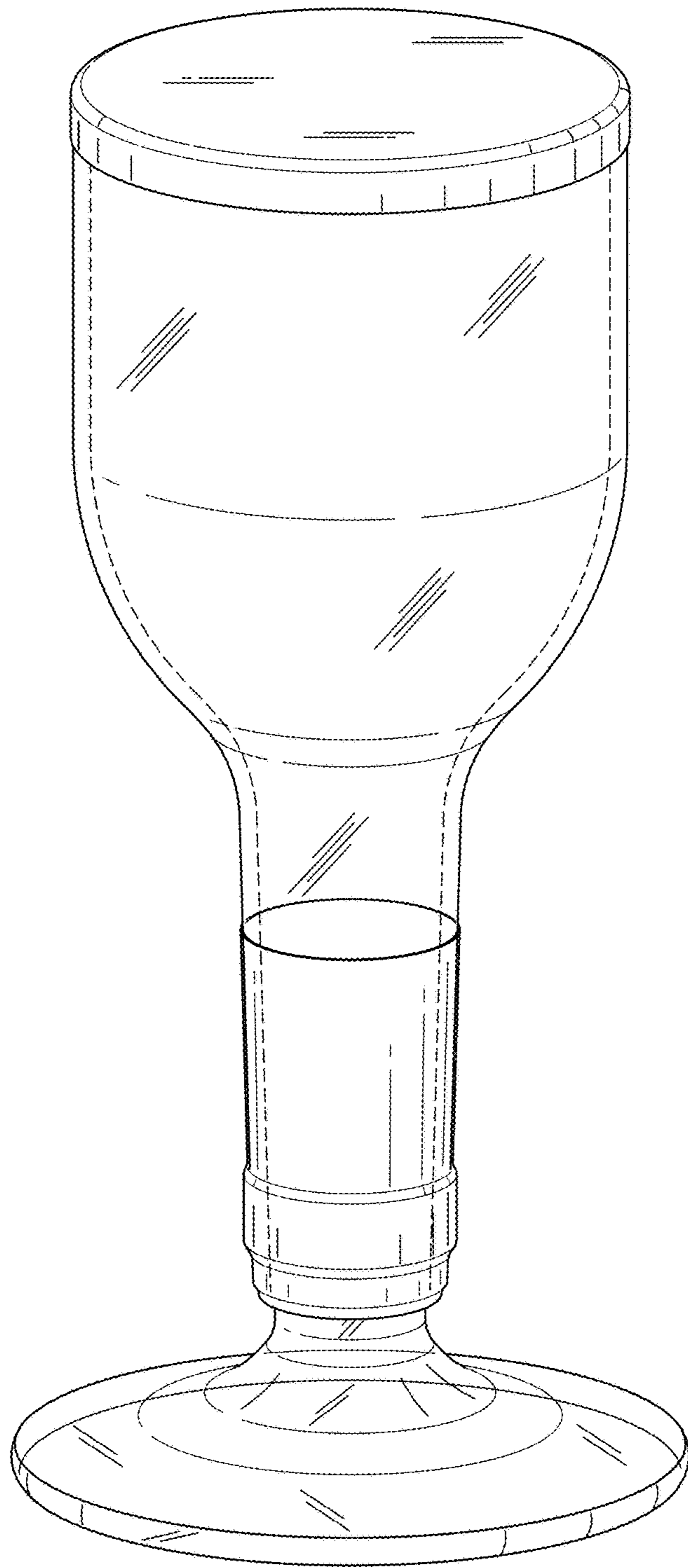


FIG. 24

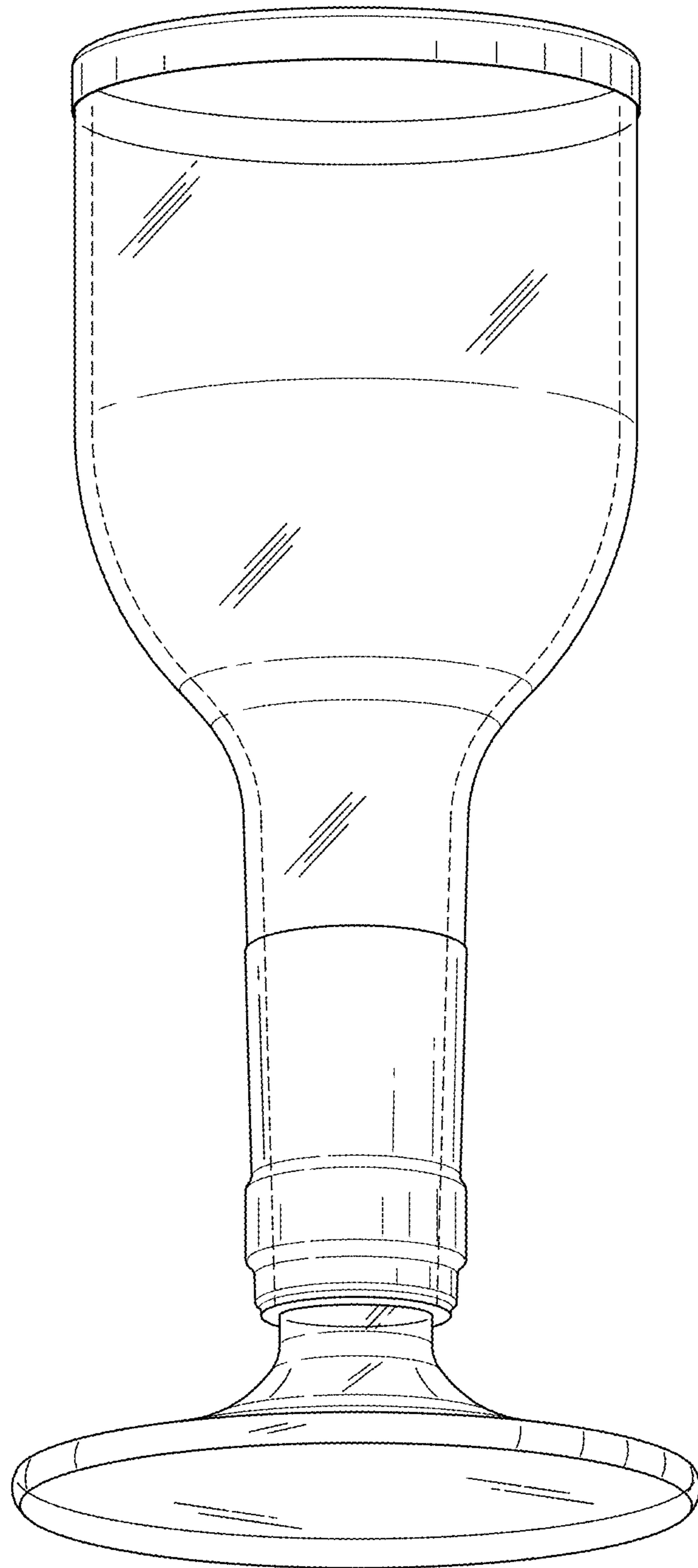


FIG. 25

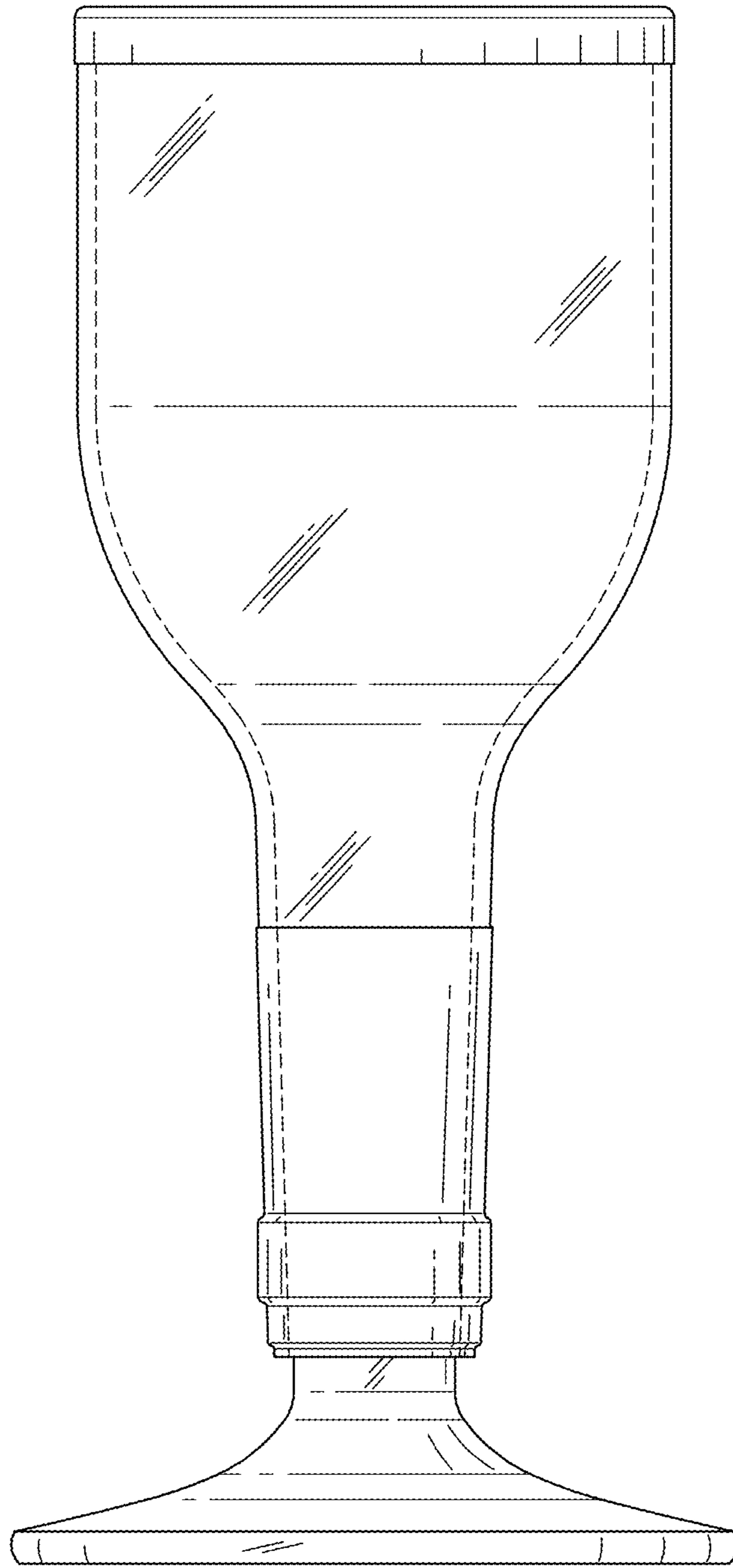


FIG. 26

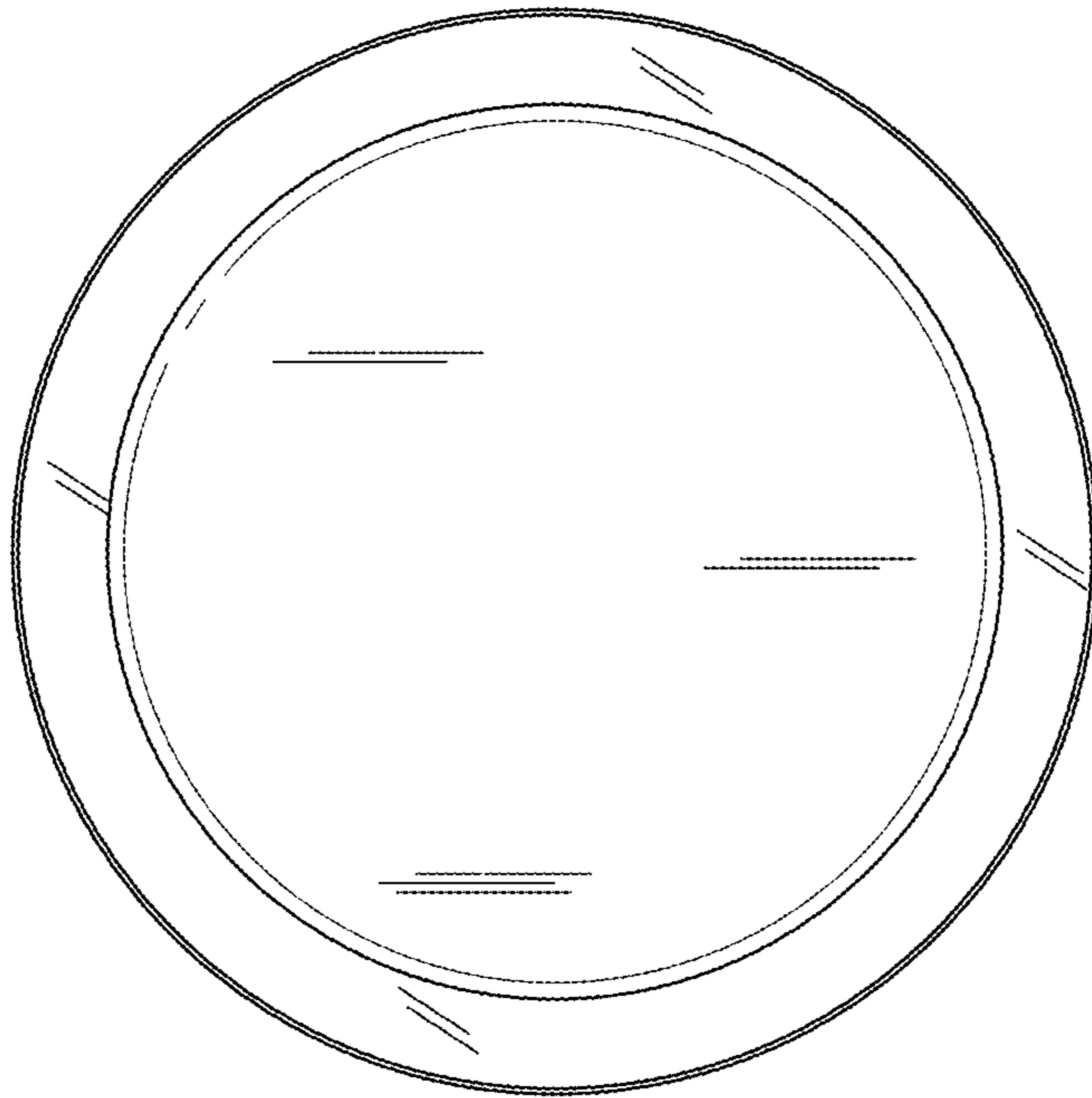


FIG. 27

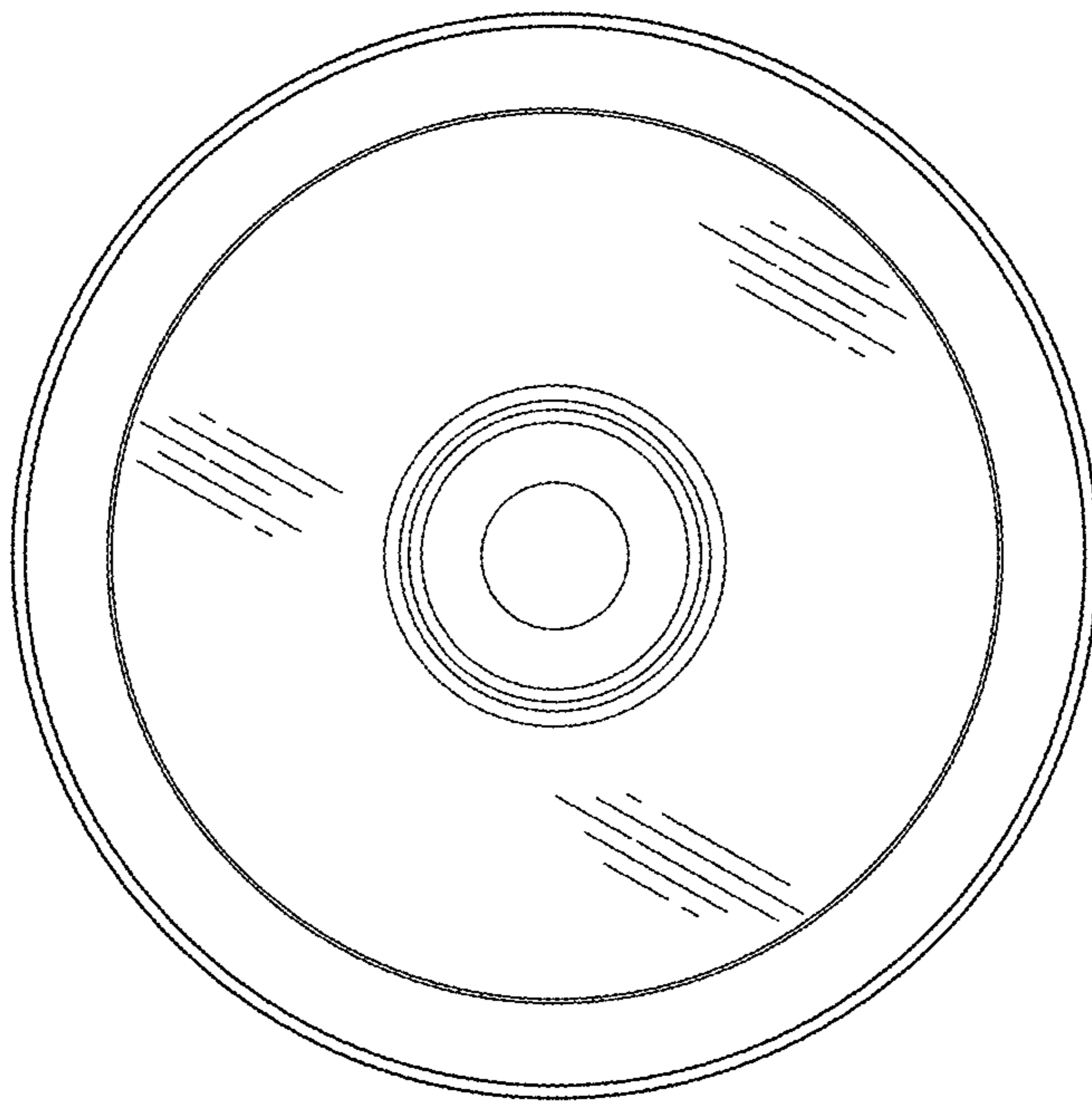


FIG. 28

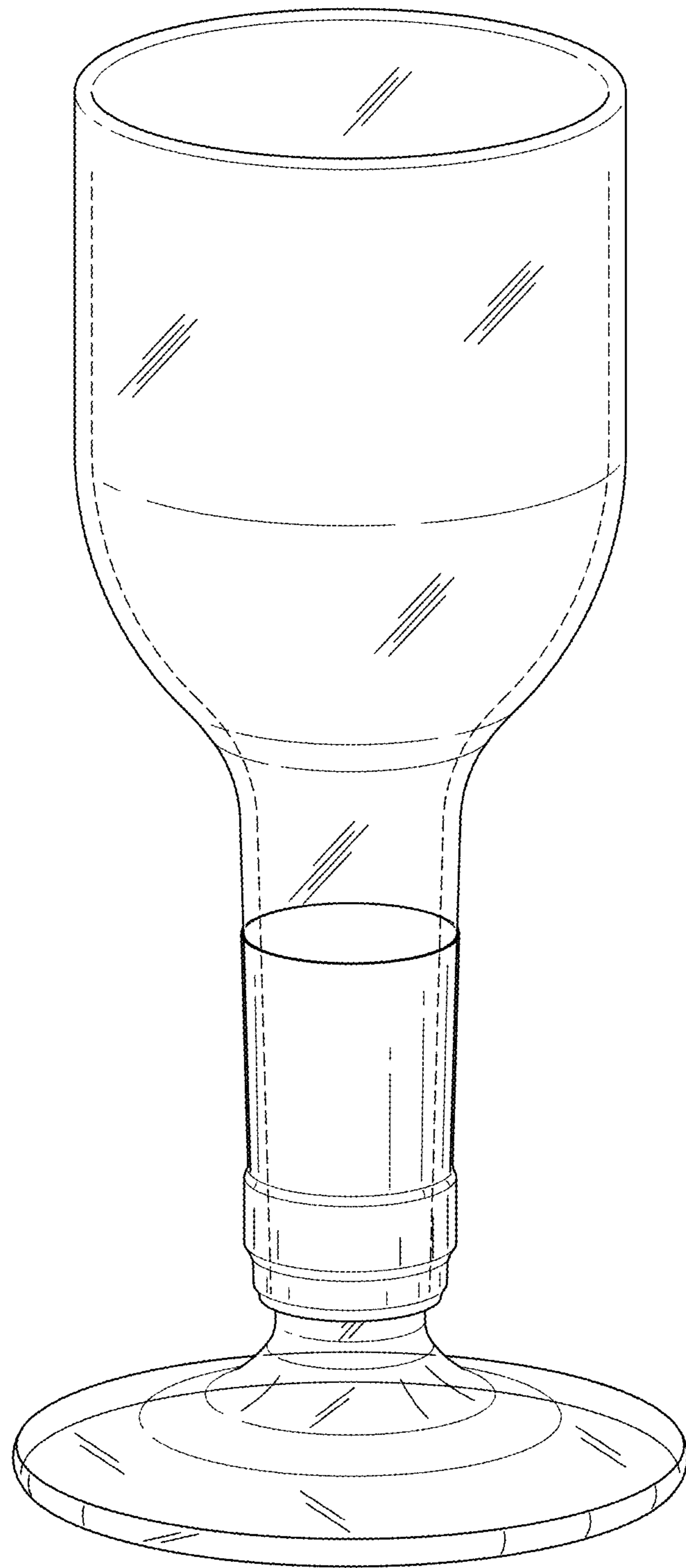


FIG. 29

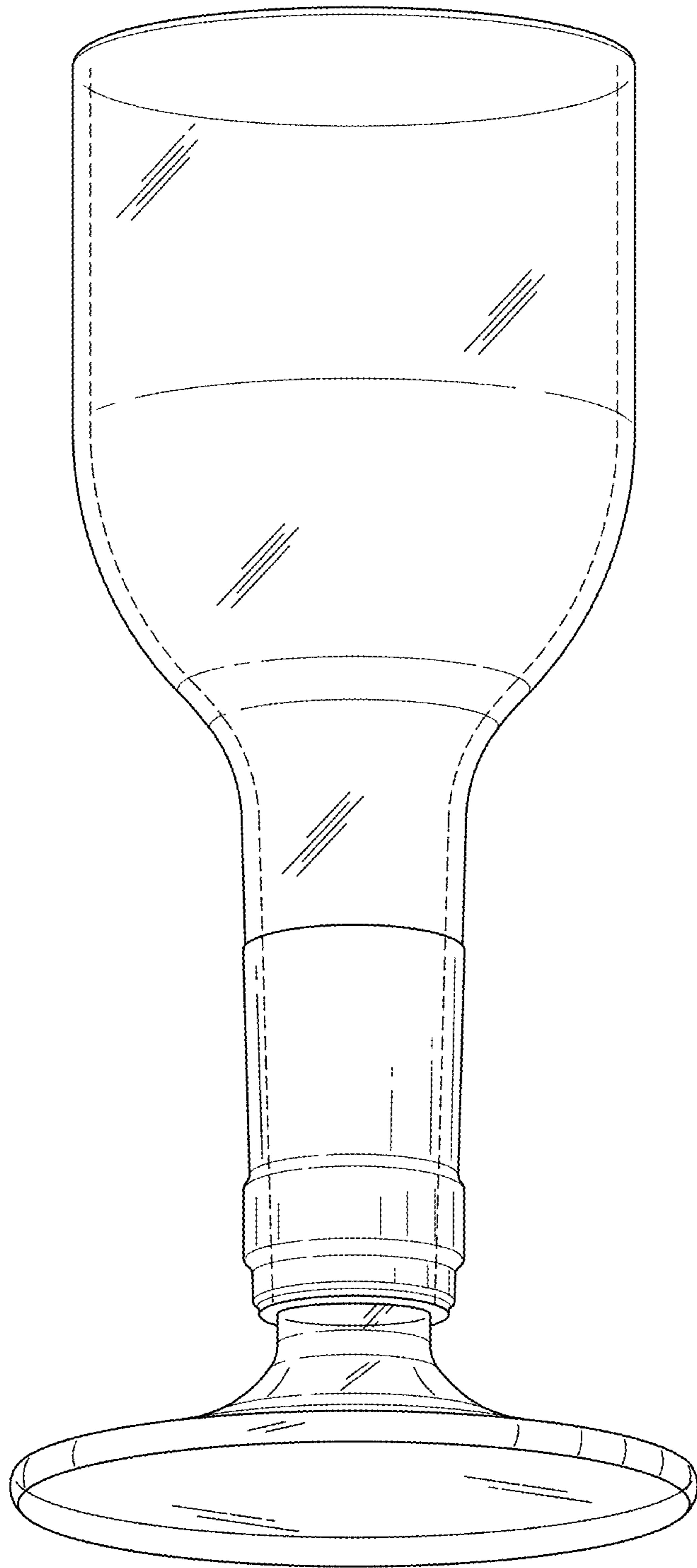


FIG. 30

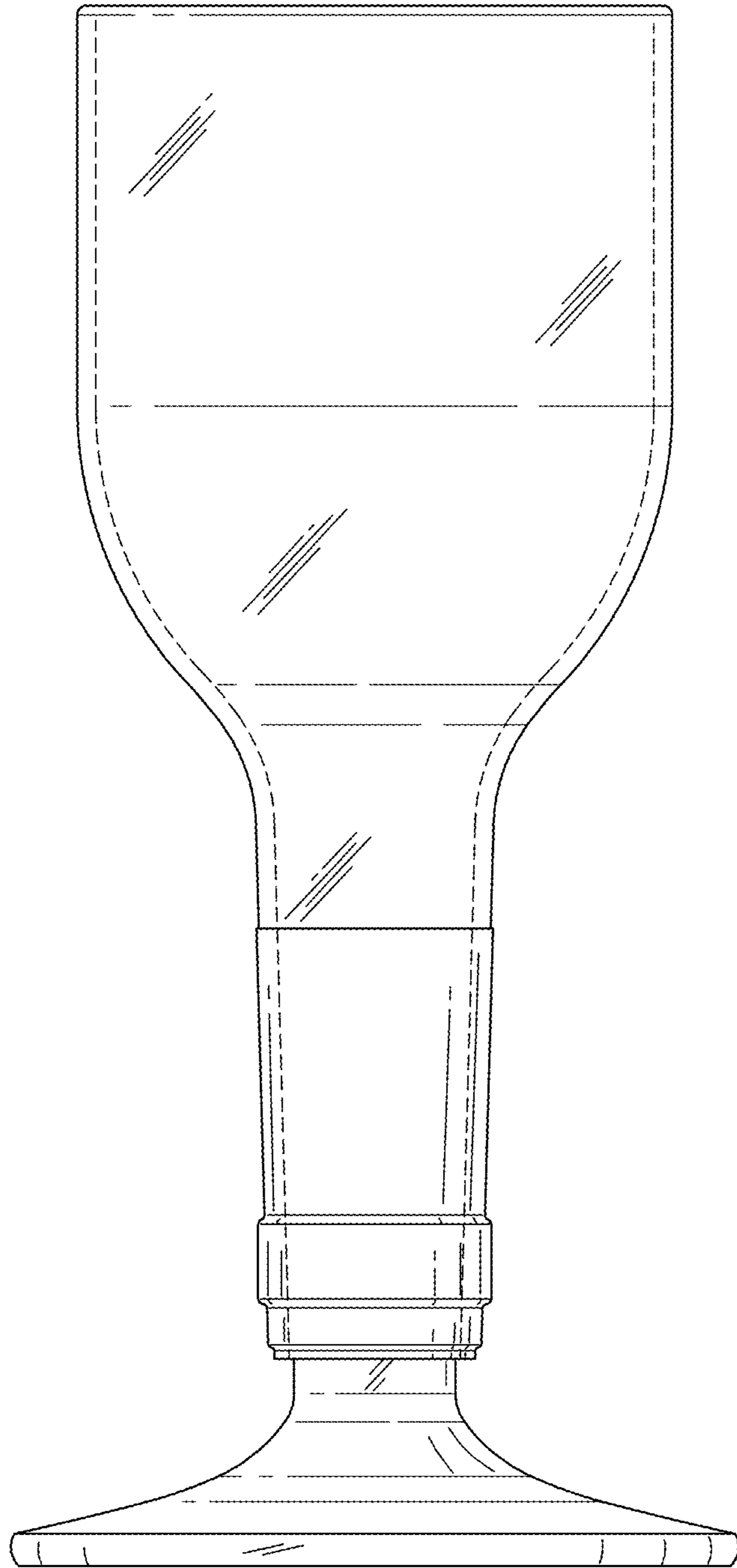


FIG. 31

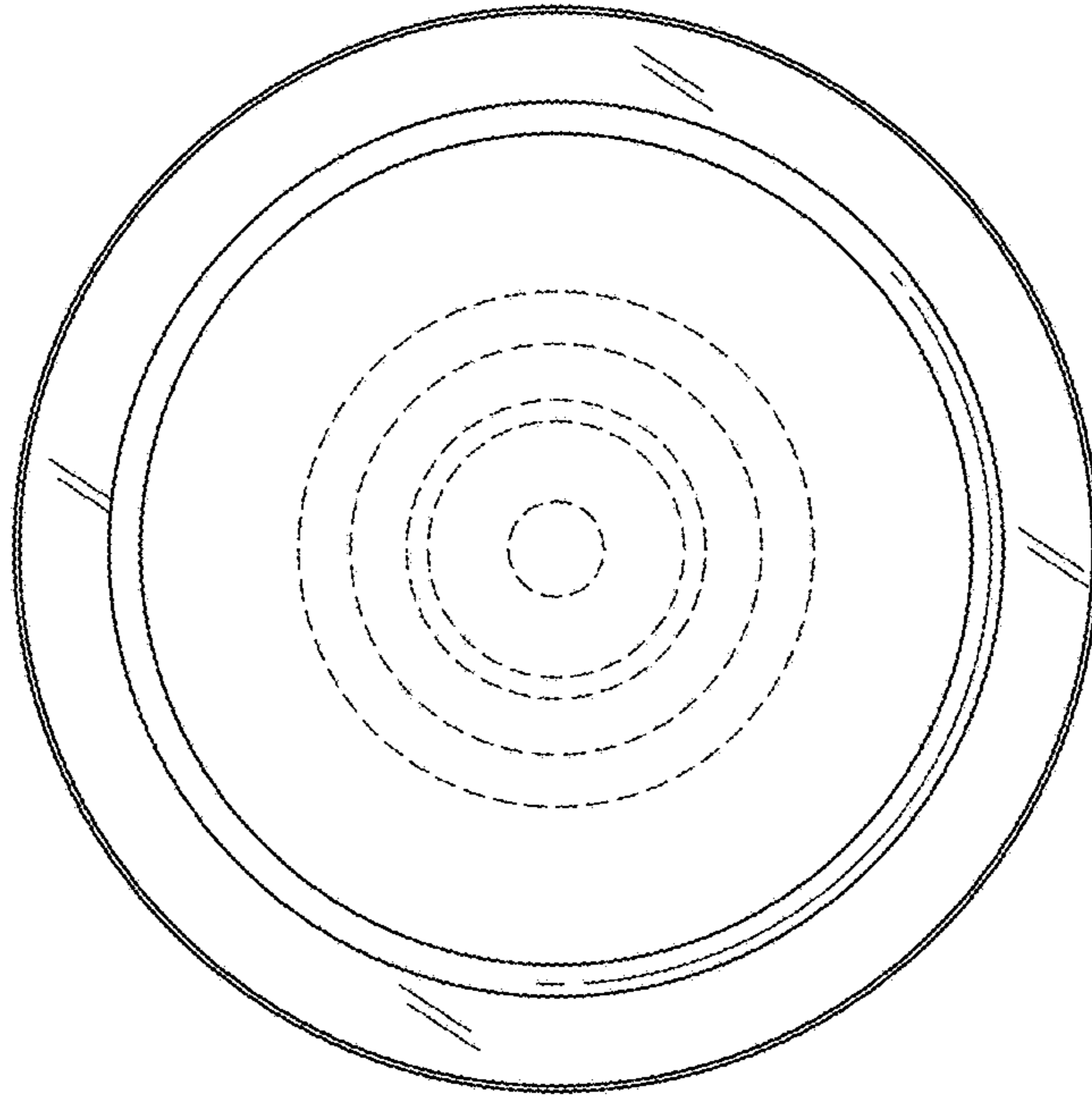


FIG. 32

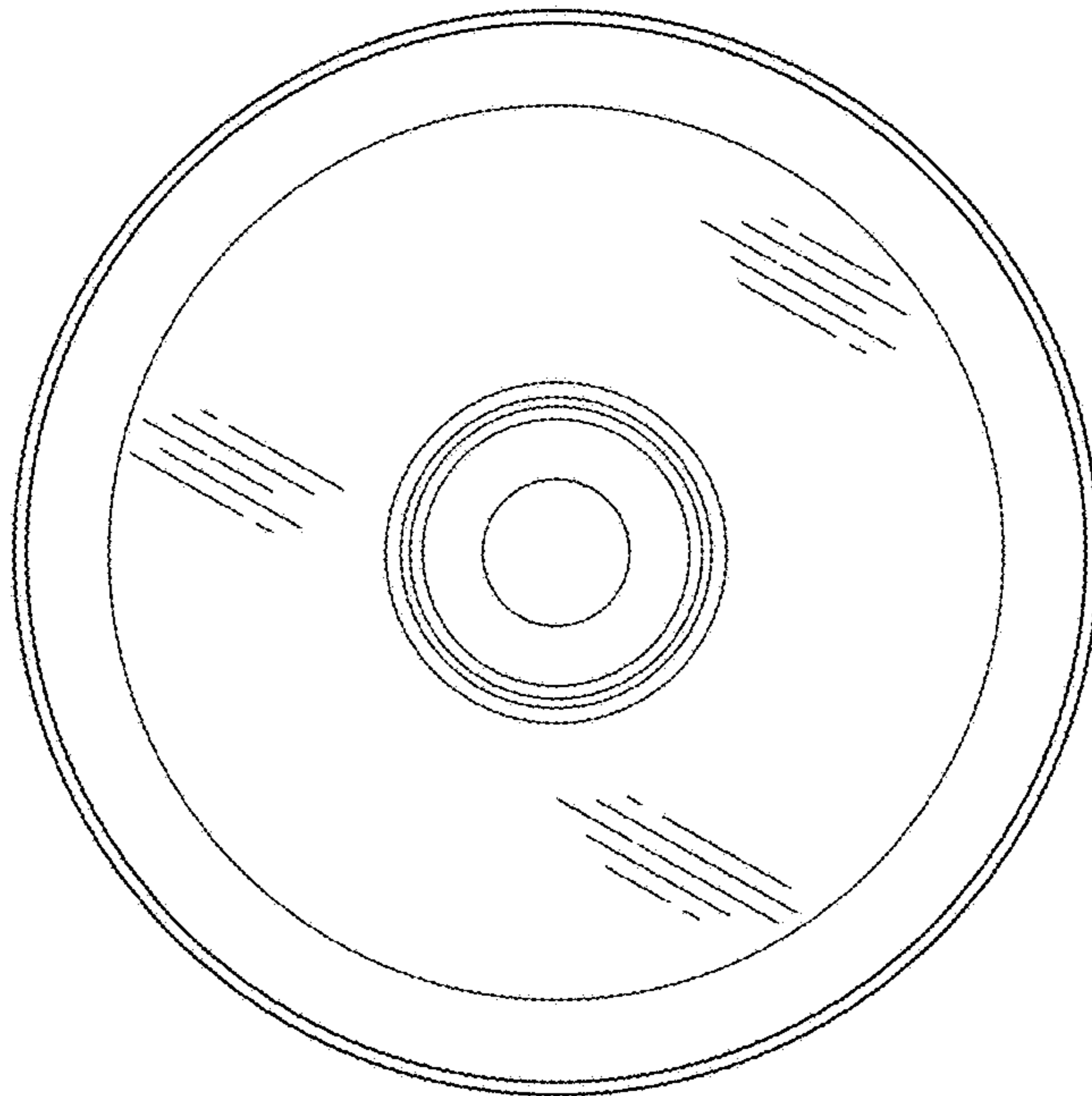


FIG. 33

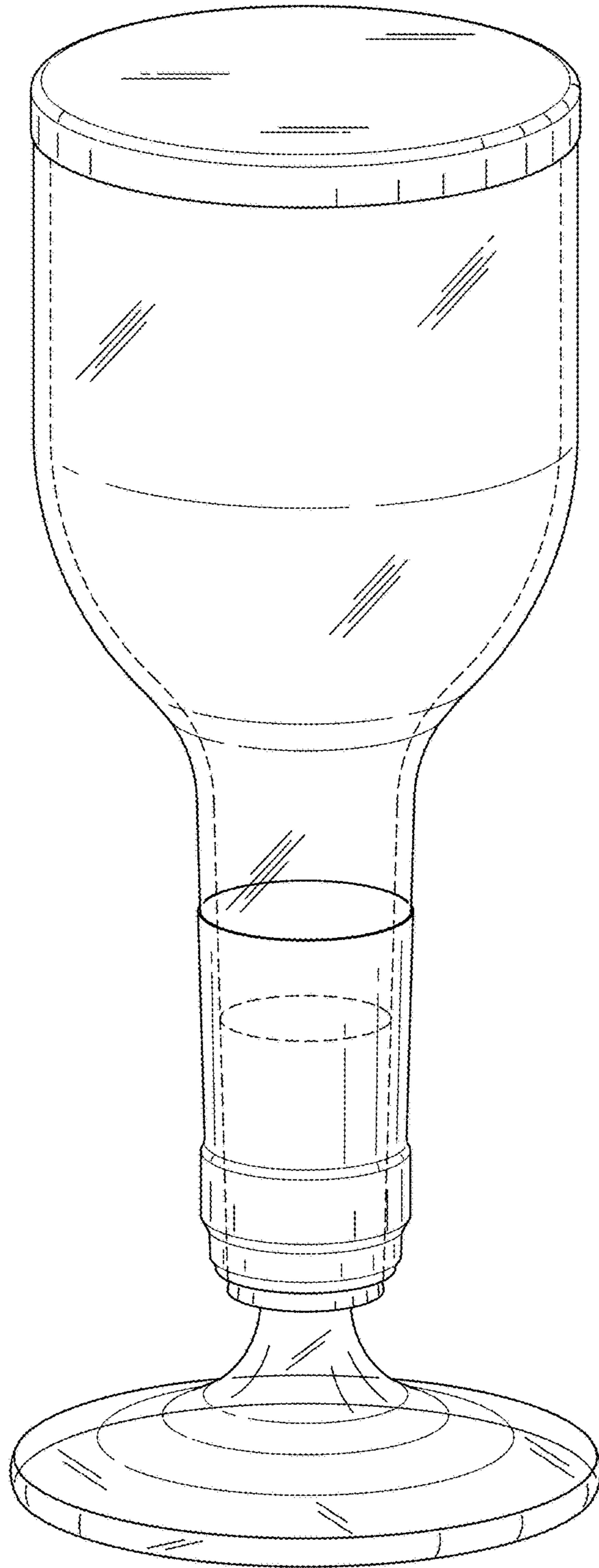


FIG. 34

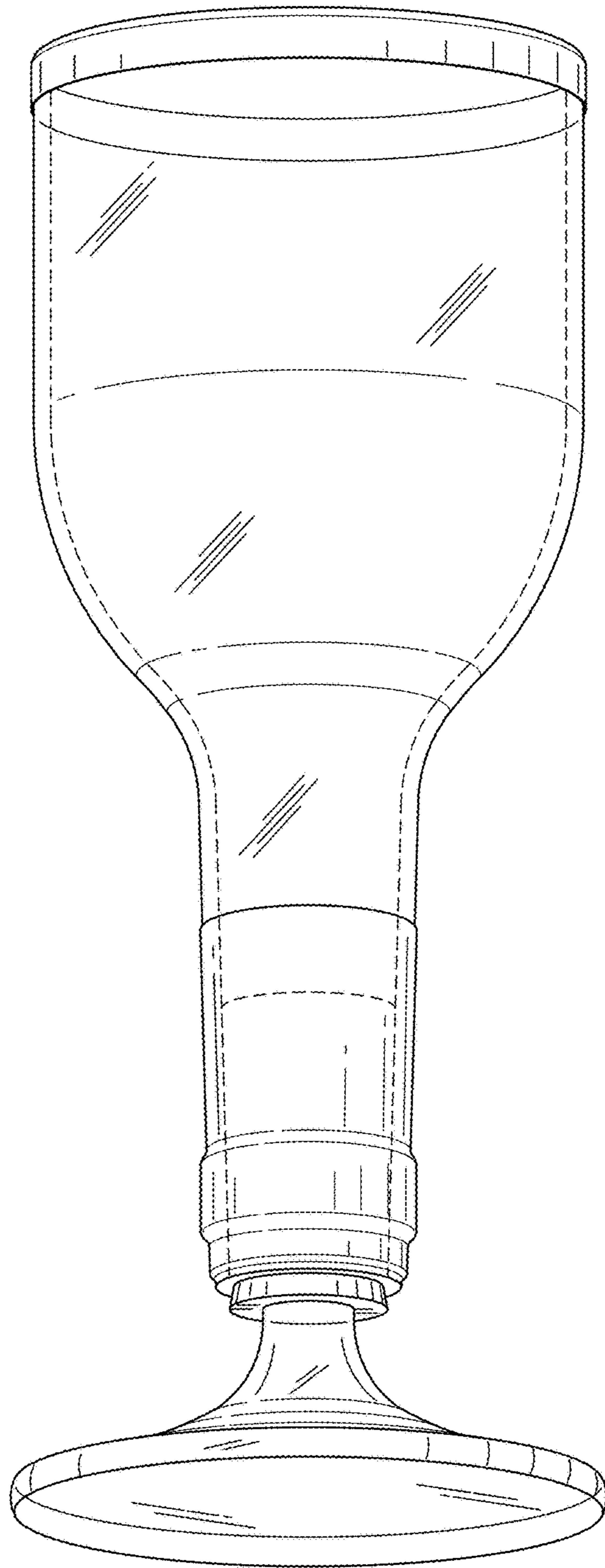


FIG. 35

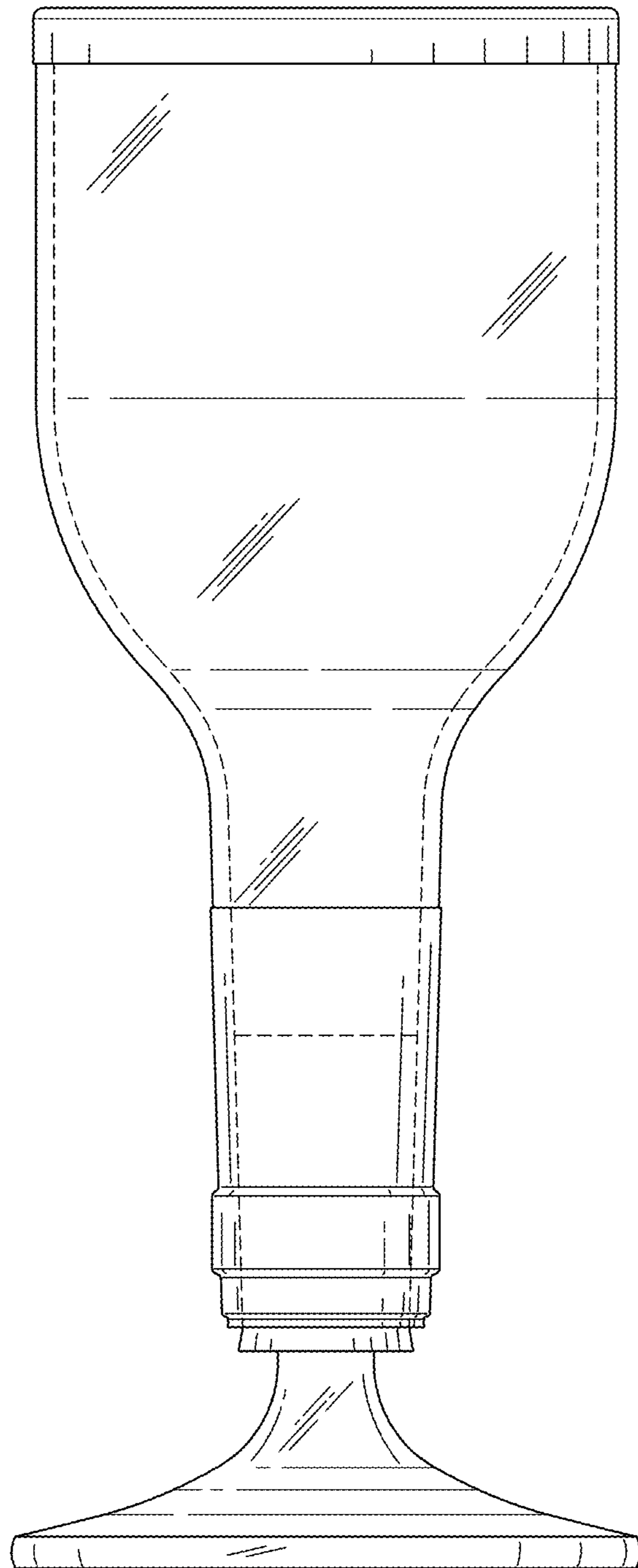


FIG. 36

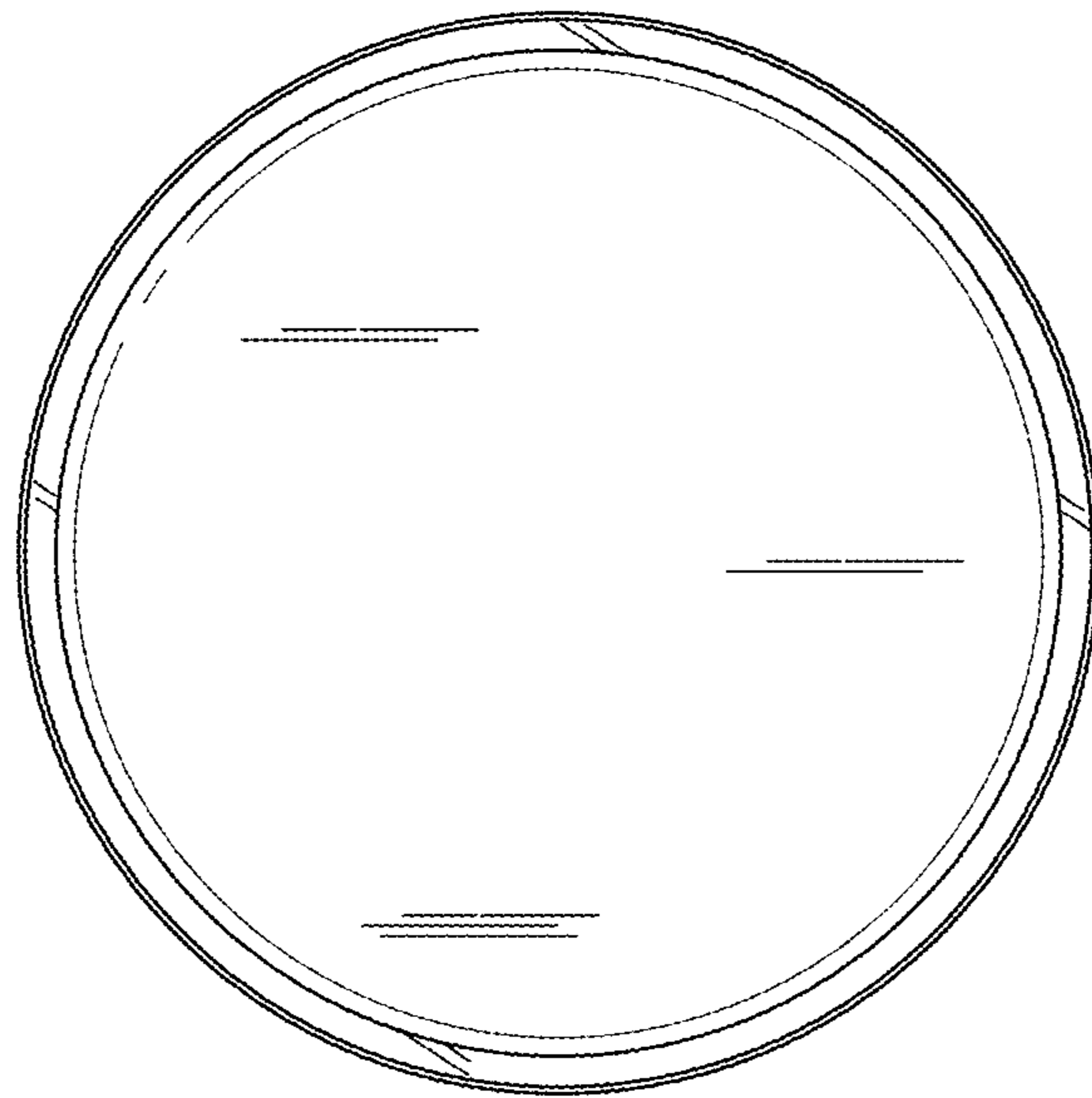


FIG. 37



FIG. 38

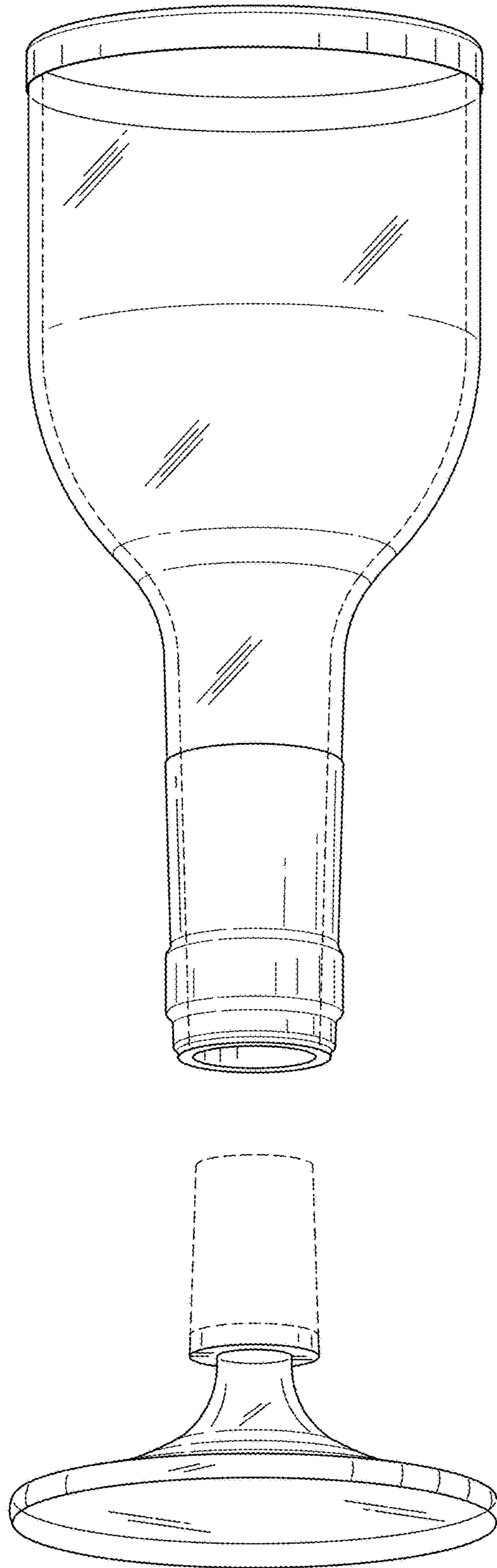


FIG. 39

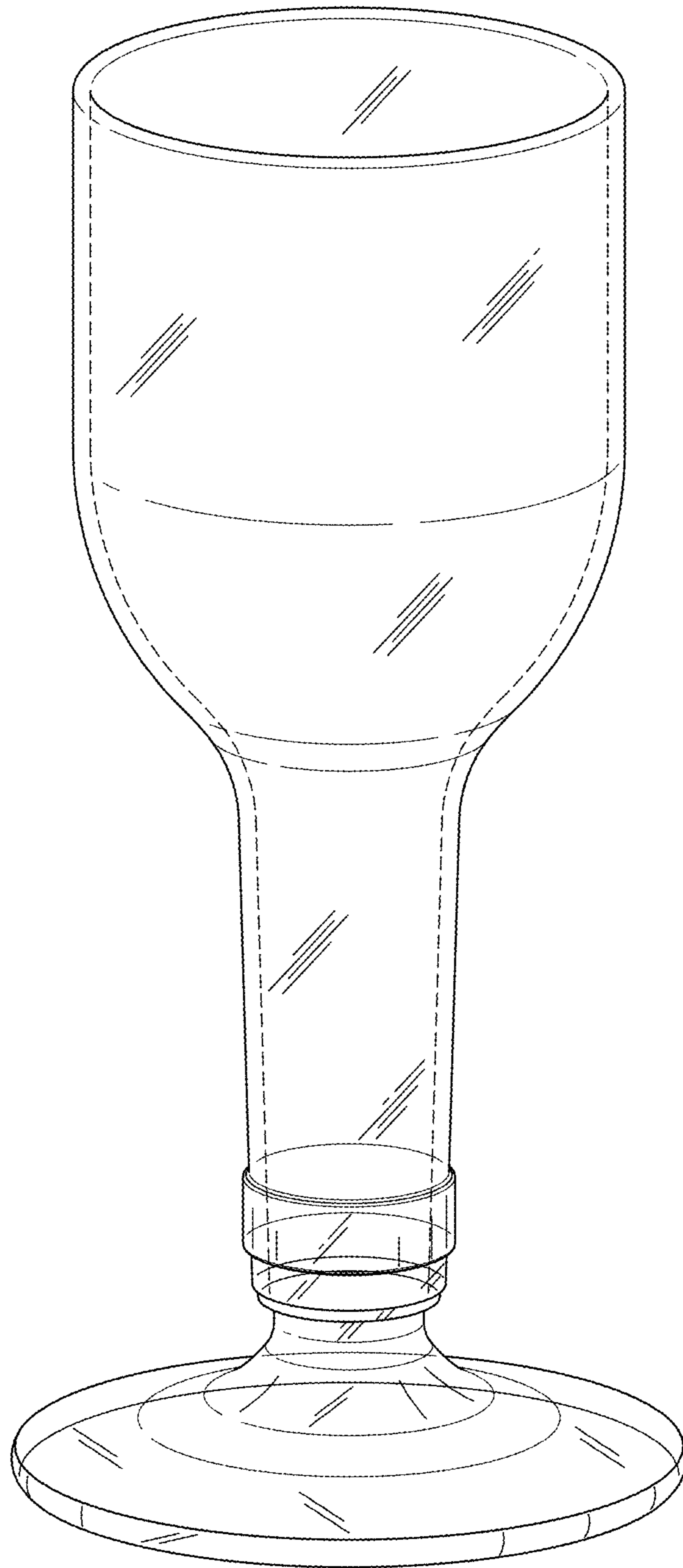


FIG. 40

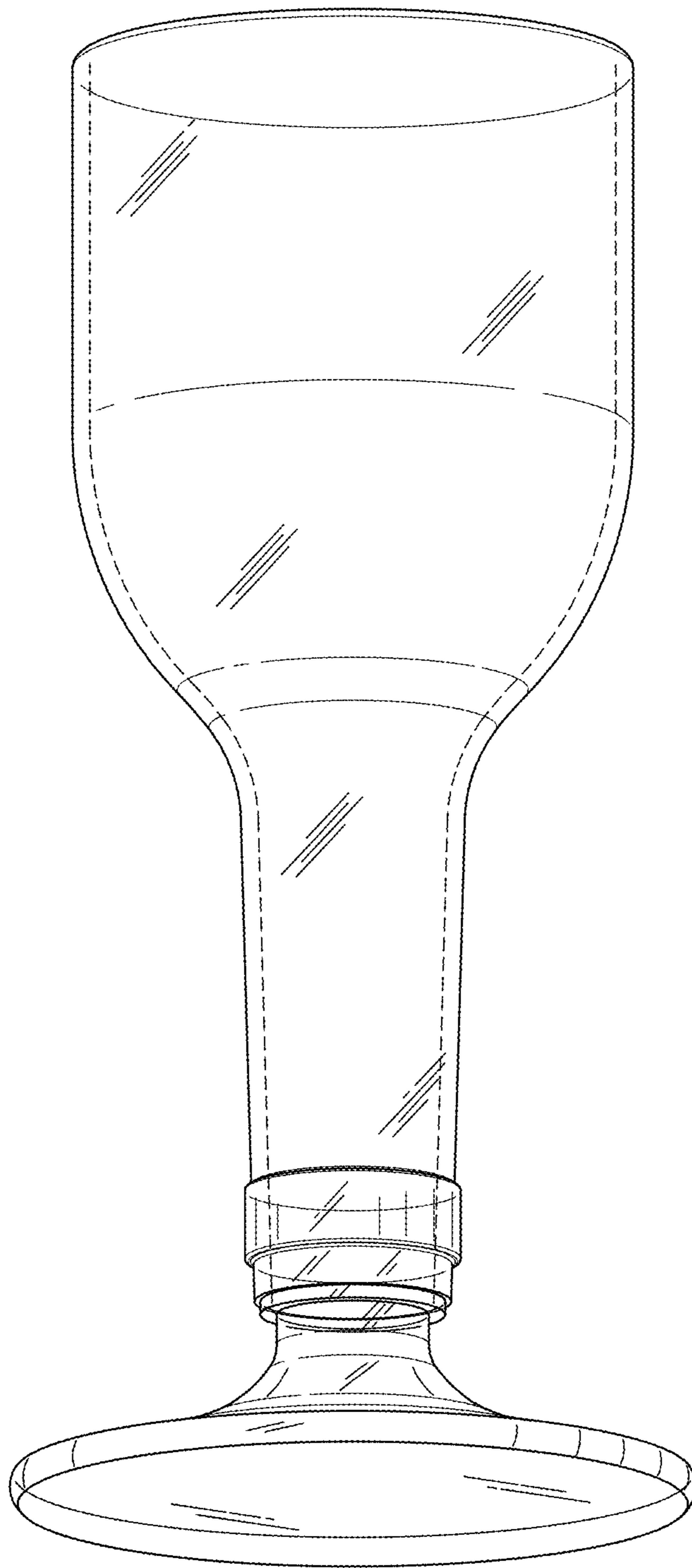


FIG. 41

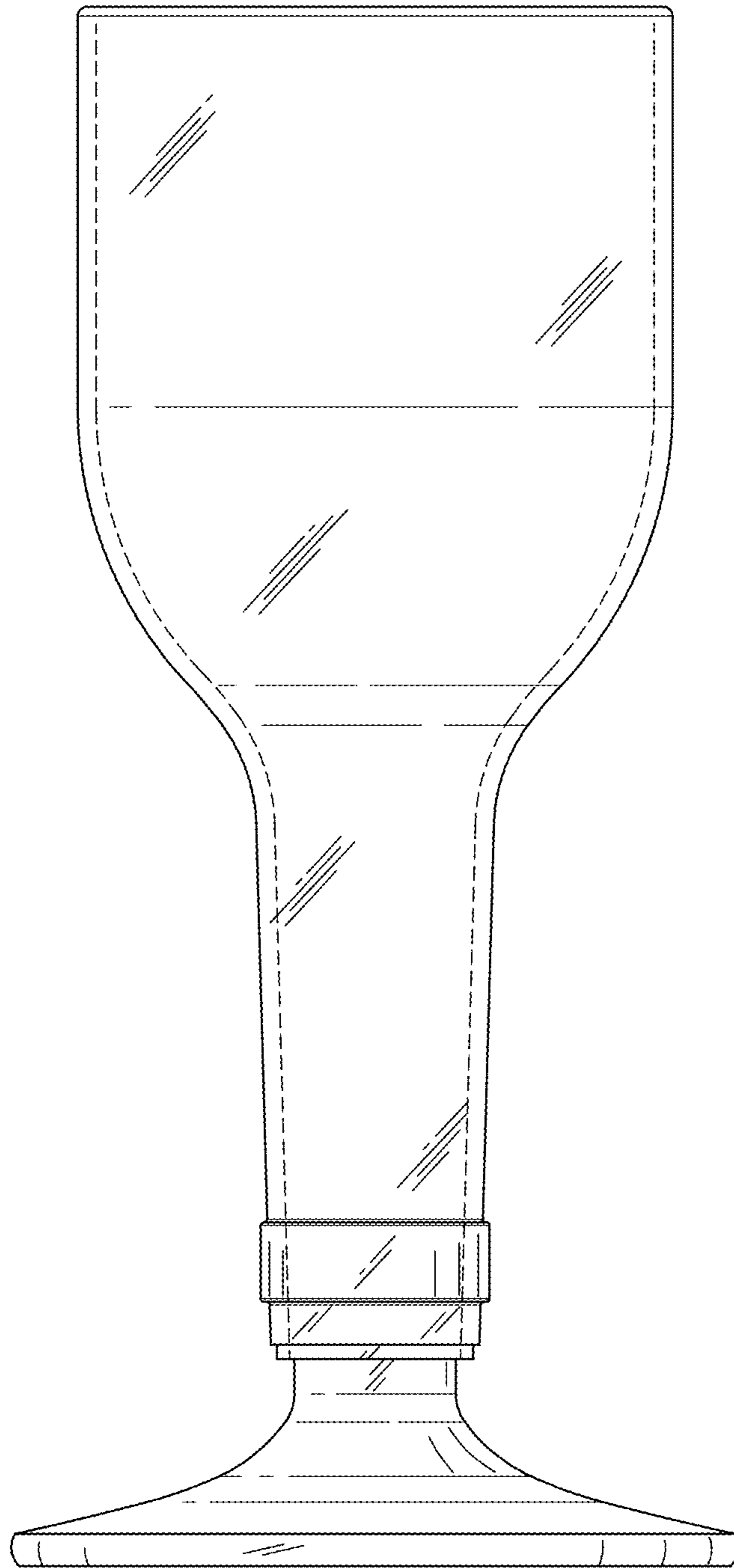


FIG. 42

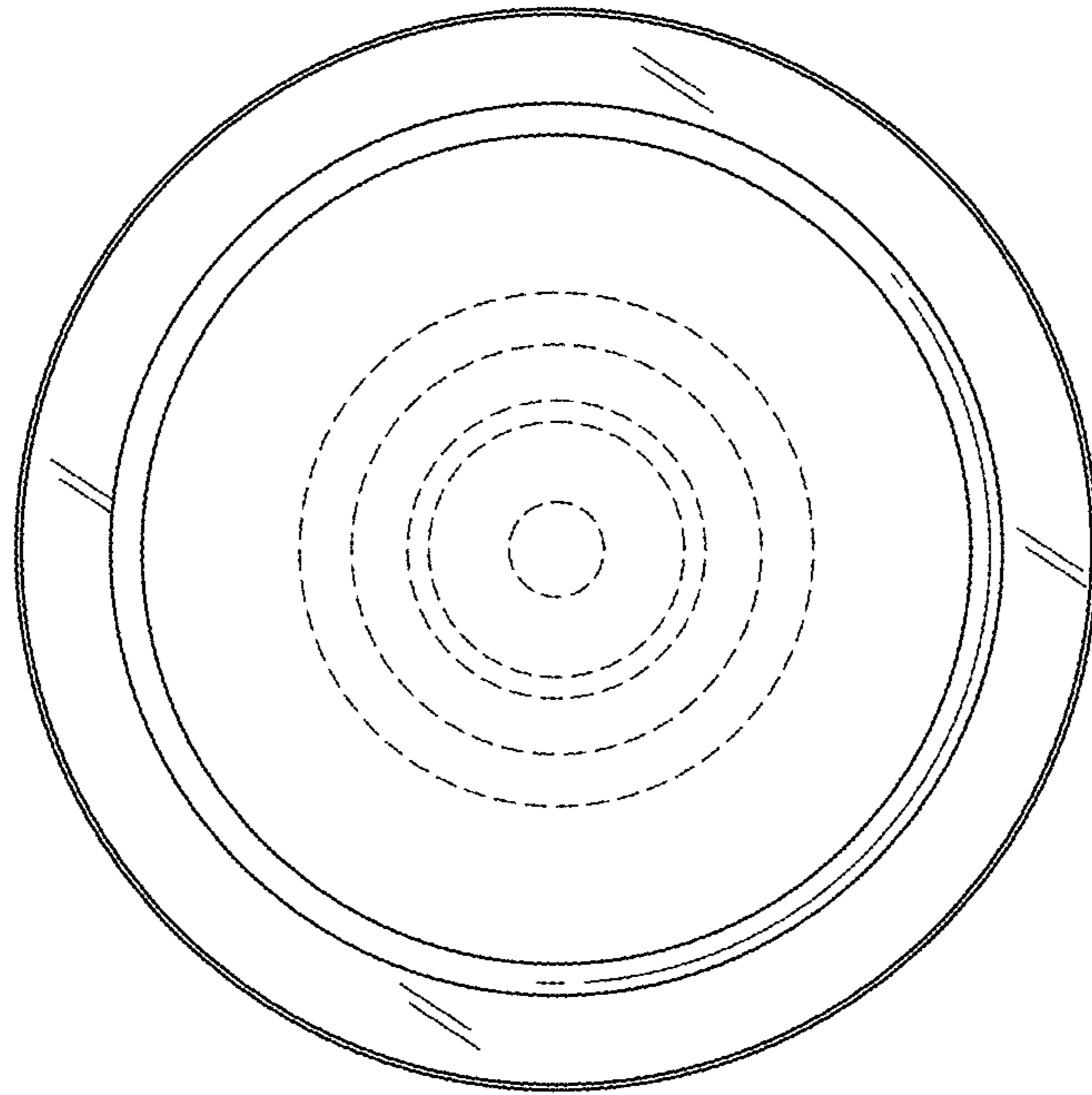


FIG. 43

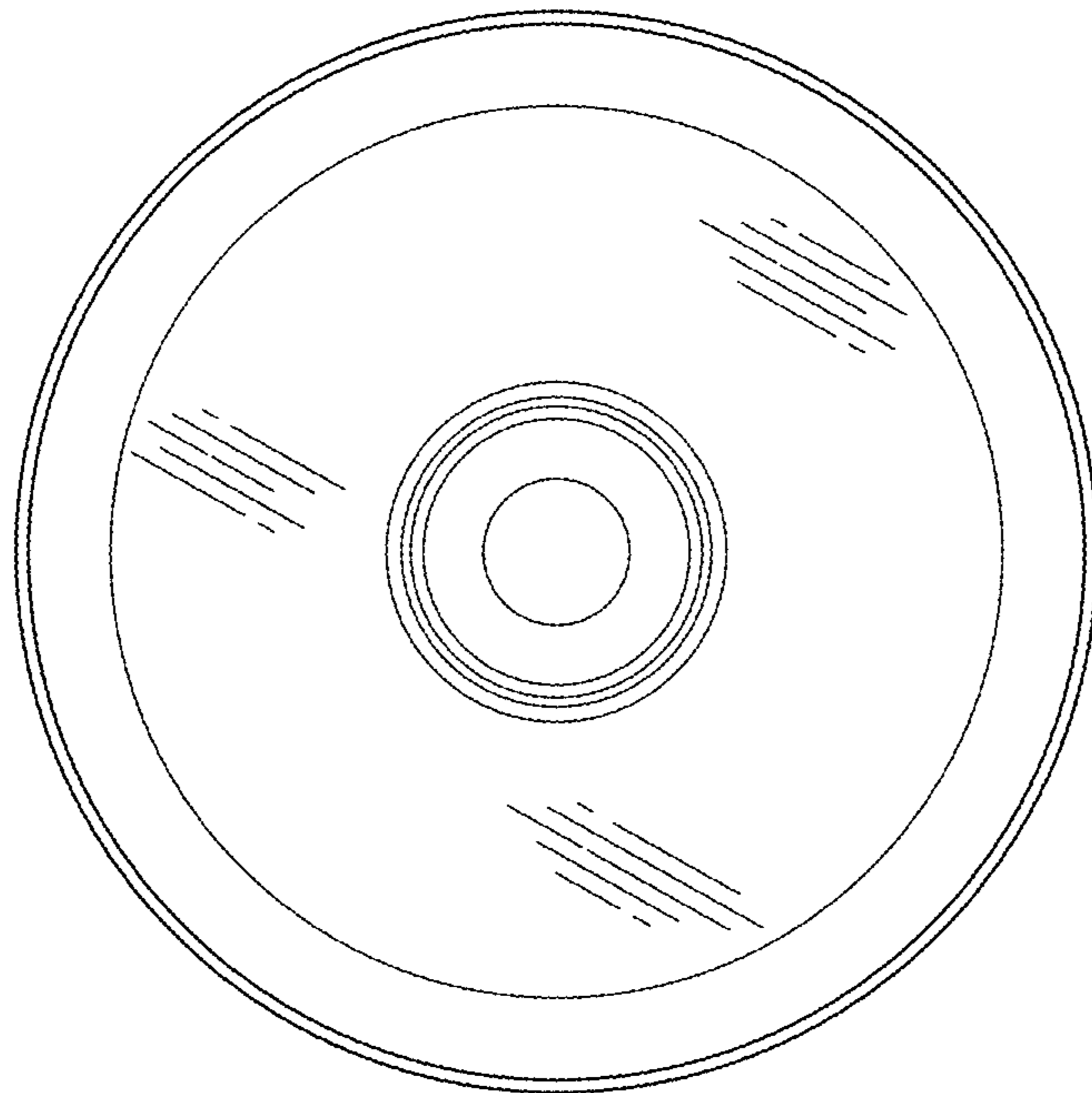


FIG. 44