



US00D808216S

(12) **United States Design Patent**
Holowaychuk et al.

(10) **Patent No.:** **US D808,216 S**
(45) **Date of Patent:** **** Jan. 23, 2018**

(54) **AGITATOR AND LID ASSEMBLY FOR SHAKEABLE CONTAINER**

(71) Applicant: **1535674 Alberta Inc., Leduc (CA)**

(72) Inventors: **Mark Holowaychuk, Oakville (CA); Darren Thompson, Leduc (CA)**

(**) Term: **15 Years**

(21) Appl. No.: **29/587,139**

(22) Filed: **Dec. 9, 2016**

(51) **LOC (11) Cl.** **31-00**

(52) **U.S. Cl.**
USPC **D7/412; D7/376; D7/378; D7/391; D7/413**

(58) **Field of Classification Search**

USPC D7/300.2, 372, 376-386, 412-413, 507, D7/510, 602, 629, 665-666, 669, 679, D7/690-694

CPC A21C 1/02; A21C 1/04; A23N 1/00; A23N 1/02; A47G 19/2266; A47J 43/04; A47J 43/25; A47J 43/27; A47J 43/042; A47J 43/044; A47J 43/046; A47J 43/075; A47J 43/0722; A47J 43/0727; B01F 3/00; B01F 3/0807; B01F 3/0853; B01F 13/0022; B01F 13/0059; B01F 13/0064; B02C 1/08; B02C 2/04; B02C 4/42; B02C 4/142; B02C 4/143; B02C 4/423; B02C 13/1835; B28C 5/10; B28C 5/12; B28C 5/14; B28C 5/16; G09F 19/00

See application file for complete search history.

(56) **References Cited**

U.S. PATENT DOCUMENTS

D426,742 S * 6/2000 Gartz D7/376
D488,339 S * 4/2004 Lee D7/300.2

D527,959 S * 9/2006 Fung D7/690
D542,102 S * 5/2007 Cheung D7/690
7,354,225 B1 * 4/2008 Cohen G09F 19/00
40/645
D571,610 S * 6/2008 Bodum D7/397
8,191,727 B2 * 6/2012 Davies A47G 19/2266
215/387
D687,259 S * 8/2013 Hauser D7/376
D700,807 S * 3/2014 Kershaw D7/510
D701,727 S * 4/2014 Gilbert D7/300.1
D784,760 S * 4/2017 Gilmartin D7/376
9,643,141 B2 * 5/2017 Kershaw B01F 13/0022
2014/0119154 A1 * 5/2014 Kershaw B01F 13/0022
366/130

* cited by examiner

Primary Examiner — Ricky Pham

(74) *Attorney, Agent, or Firm* — Ferdinand IP, LLC

(57) **CLAIM**

The ornamental design for an agitator and lid assembly for shakeable container, as shown and described.

DESCRIPTION

FIG. 1 is a right side perspective view of an agitator and lid assembly for shakable container according to the new design;

FIG. 2 is a left side perspective view thereof;

FIG. 3 is a right side view thereof;

FIG. 4 is a left side view thereof;

FIG. 5 is a front view thereof;

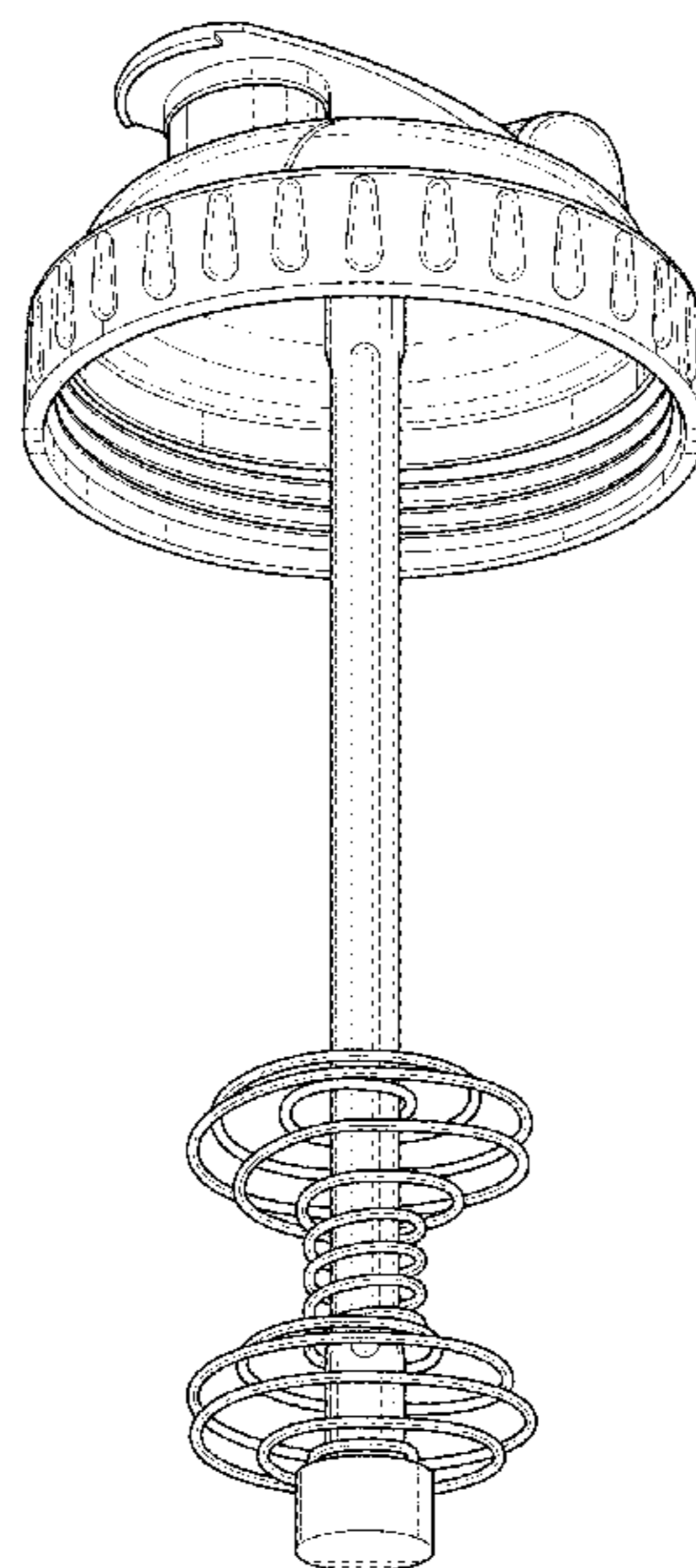
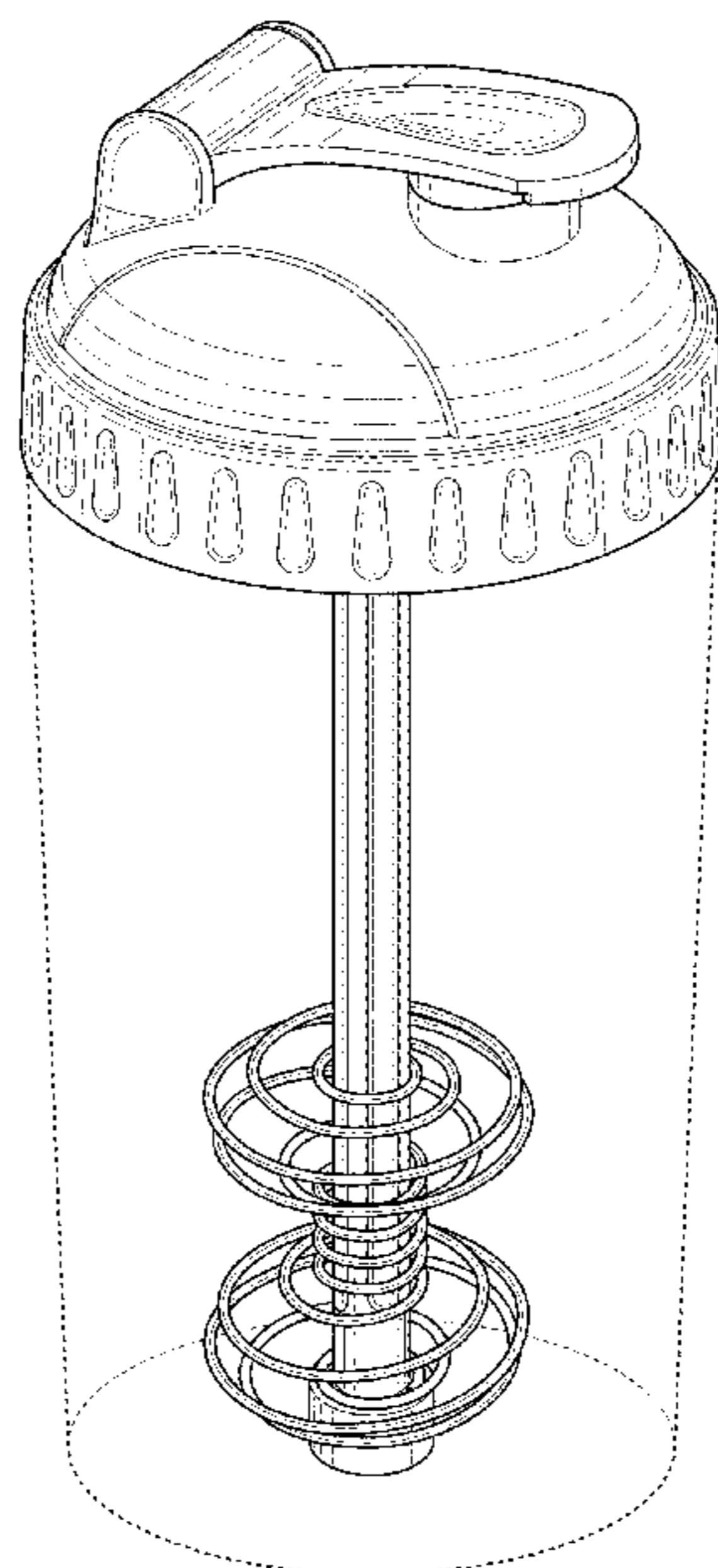
FIG. 6 is a rear view thereof;

FIG. 7 is a top view thereof; and,

FIG. 8 is a bottom view thereof.

The broken lines shown in the drawings are for illustrative purposes only and form no part of the claimed design.

1 Claim, 7 Drawing Sheets



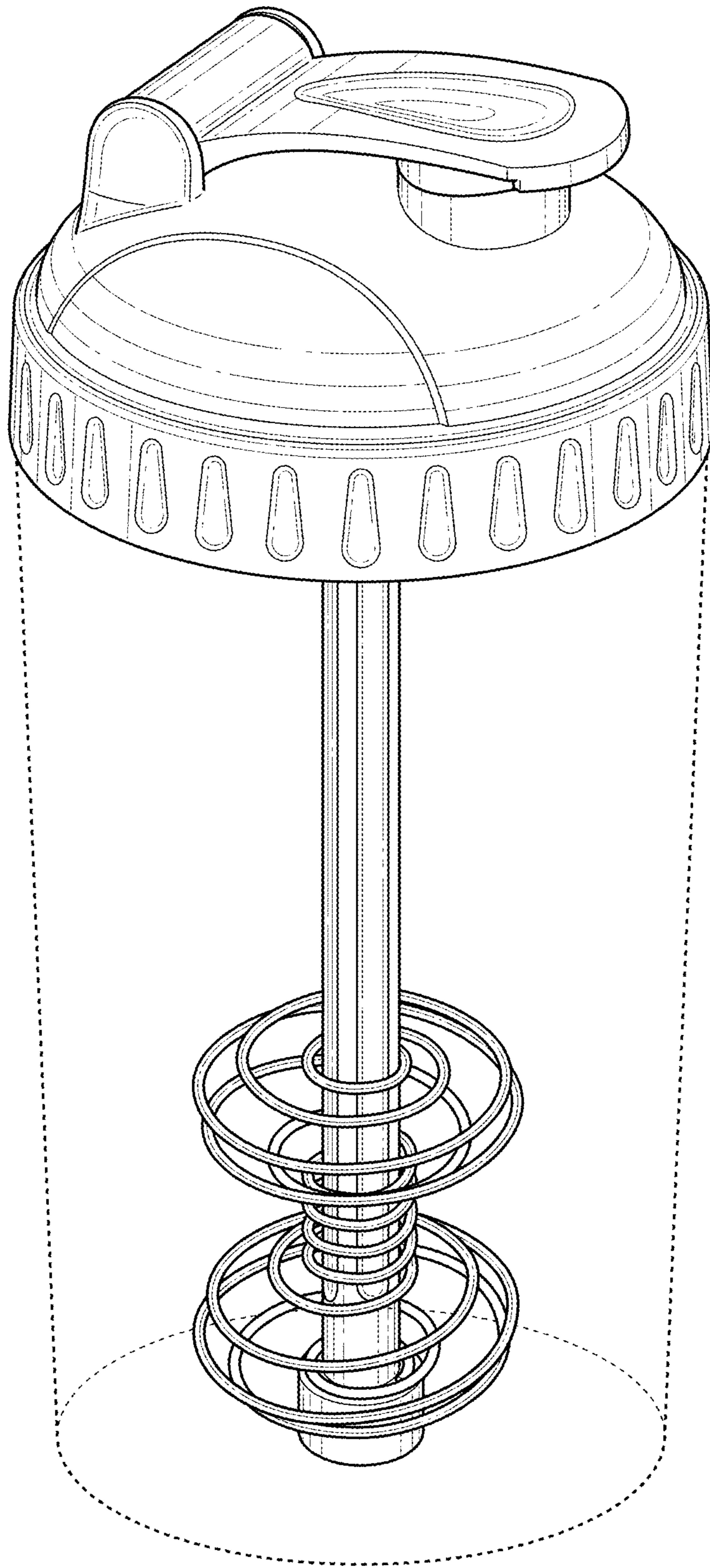


FIG. 1

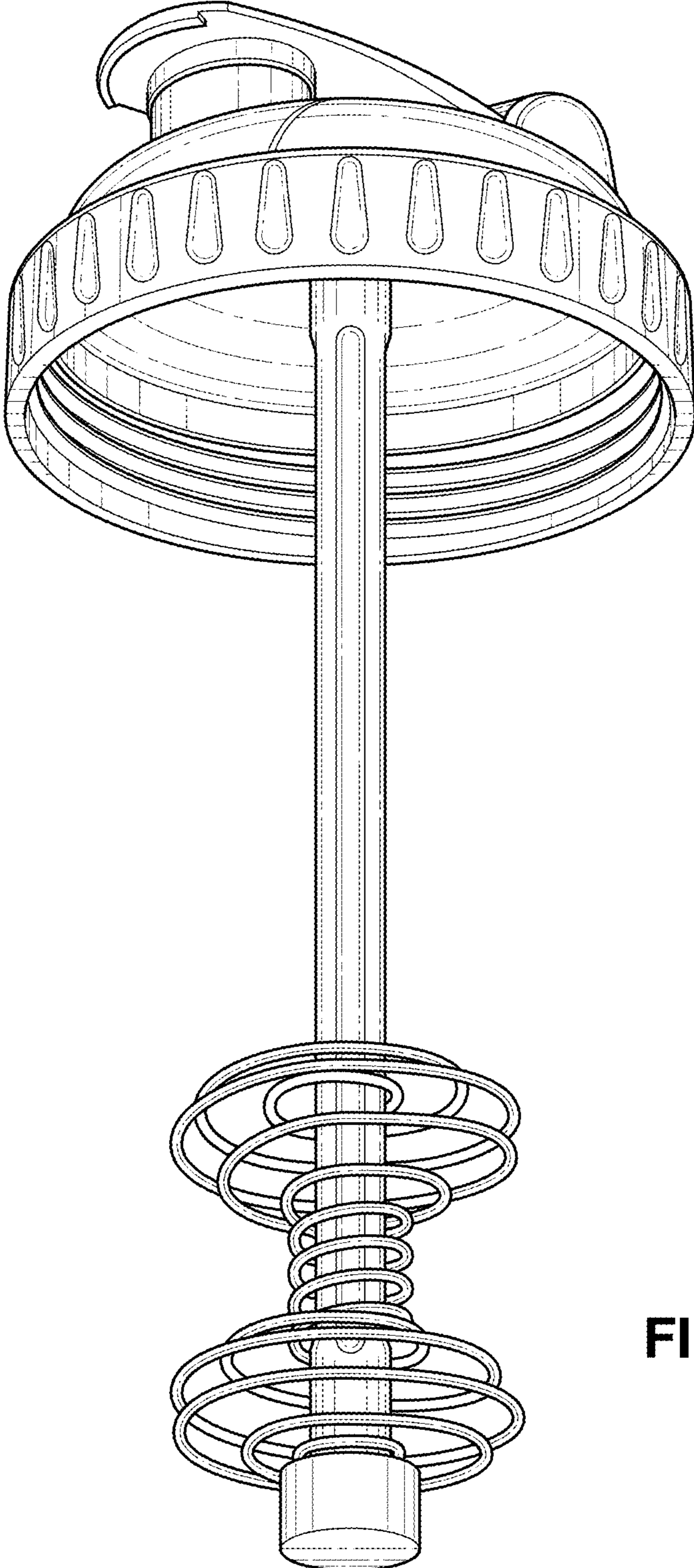


FIG. 2

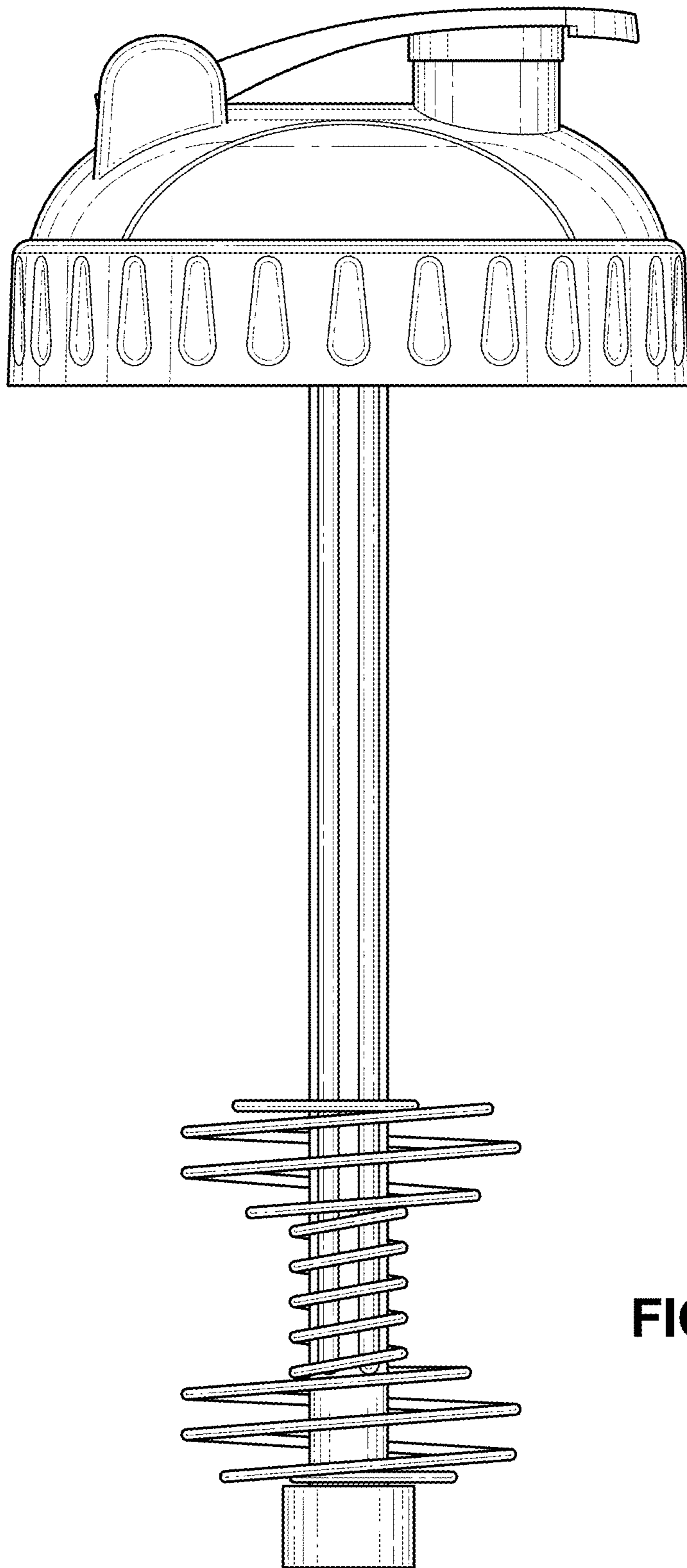


FIG. 3

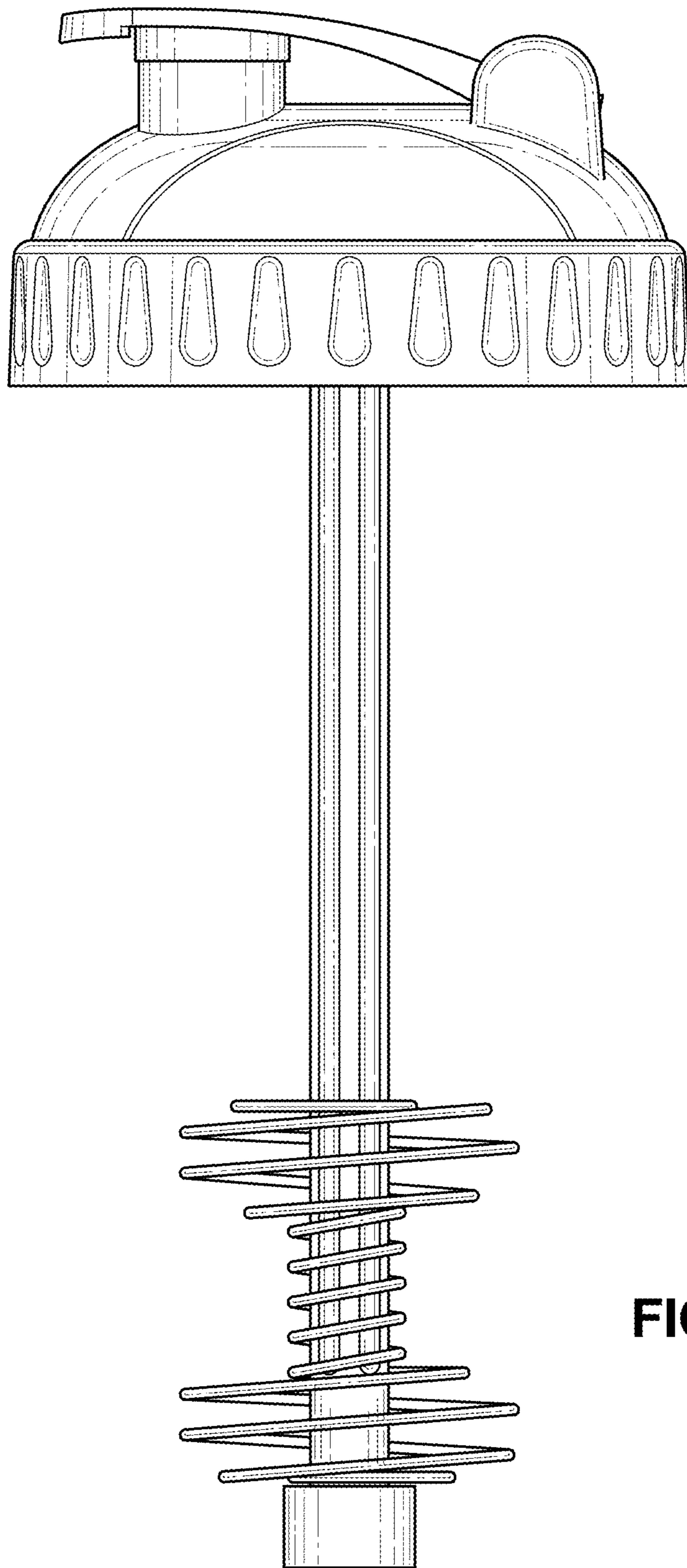


FIG. 4

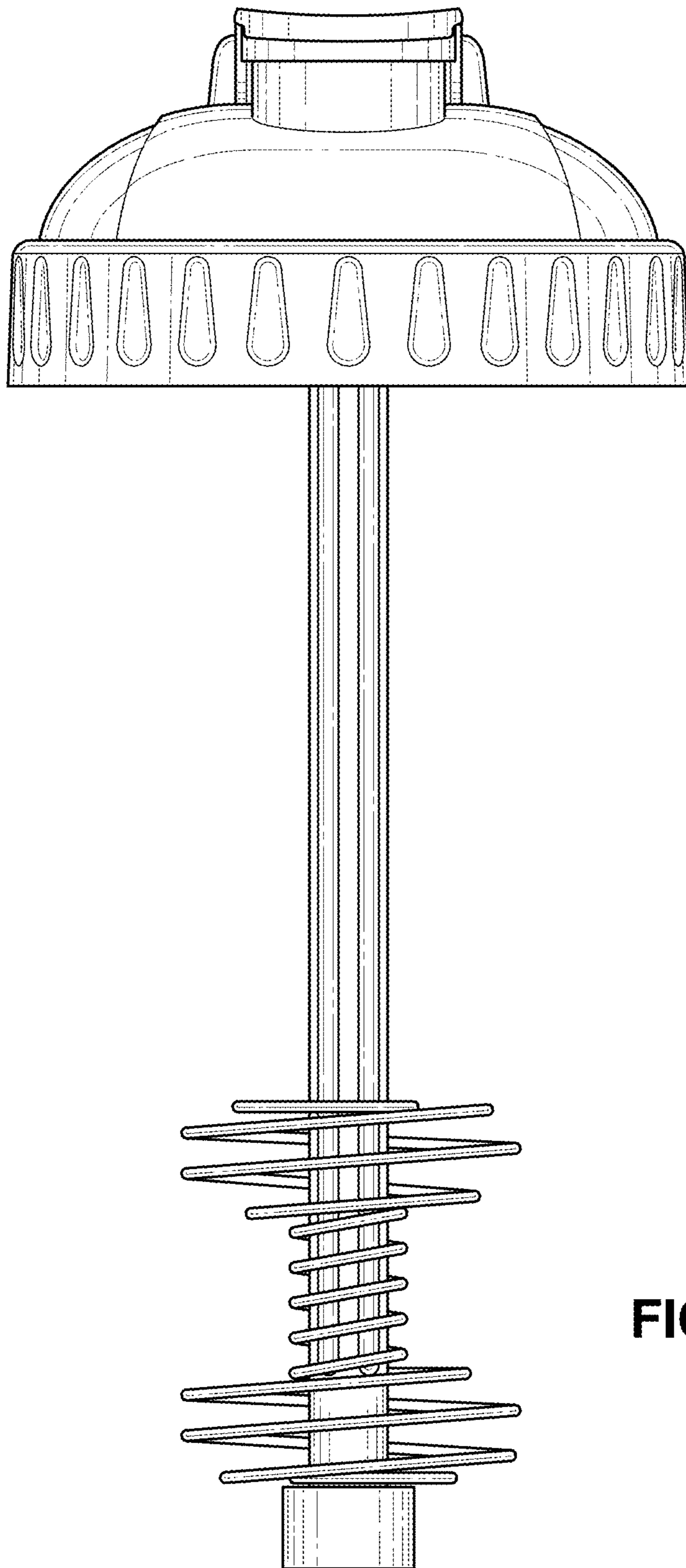


FIG. 5

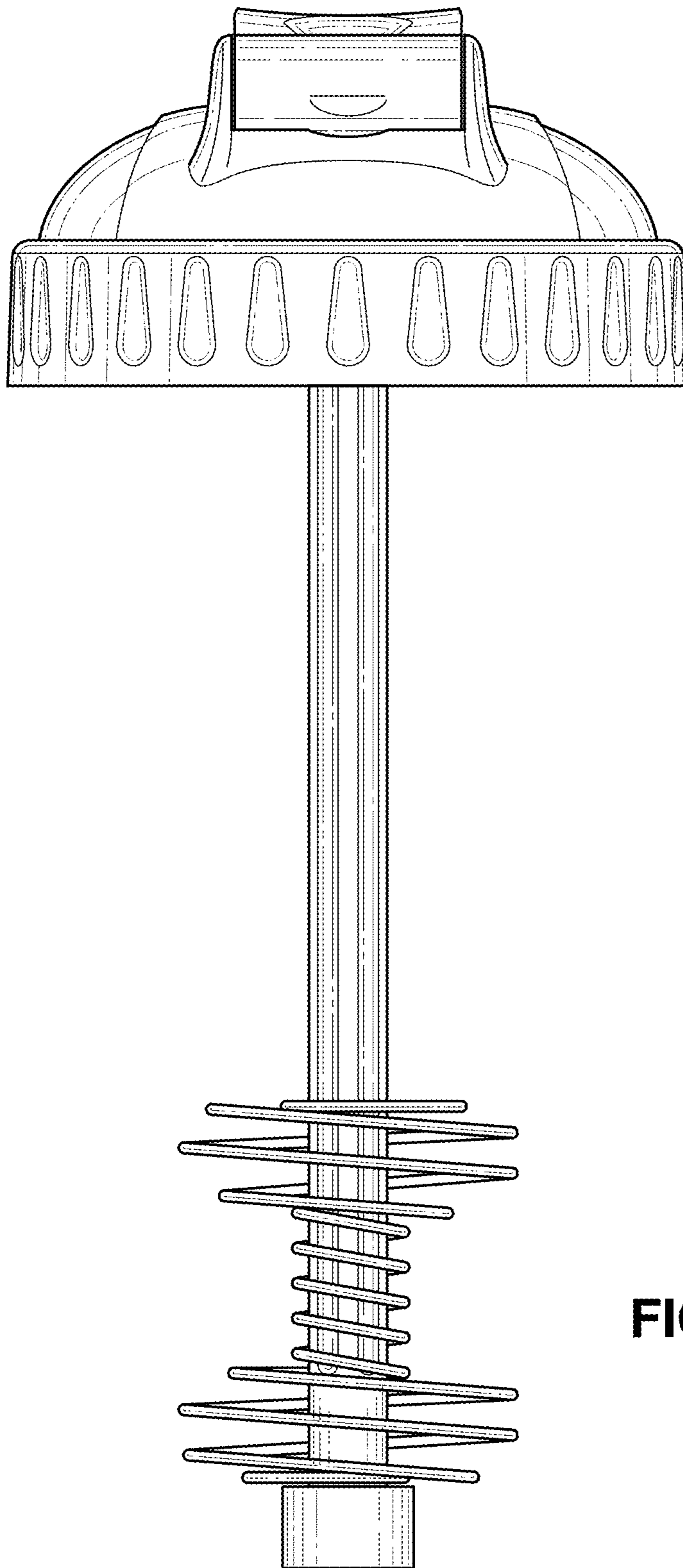


FIG. 6

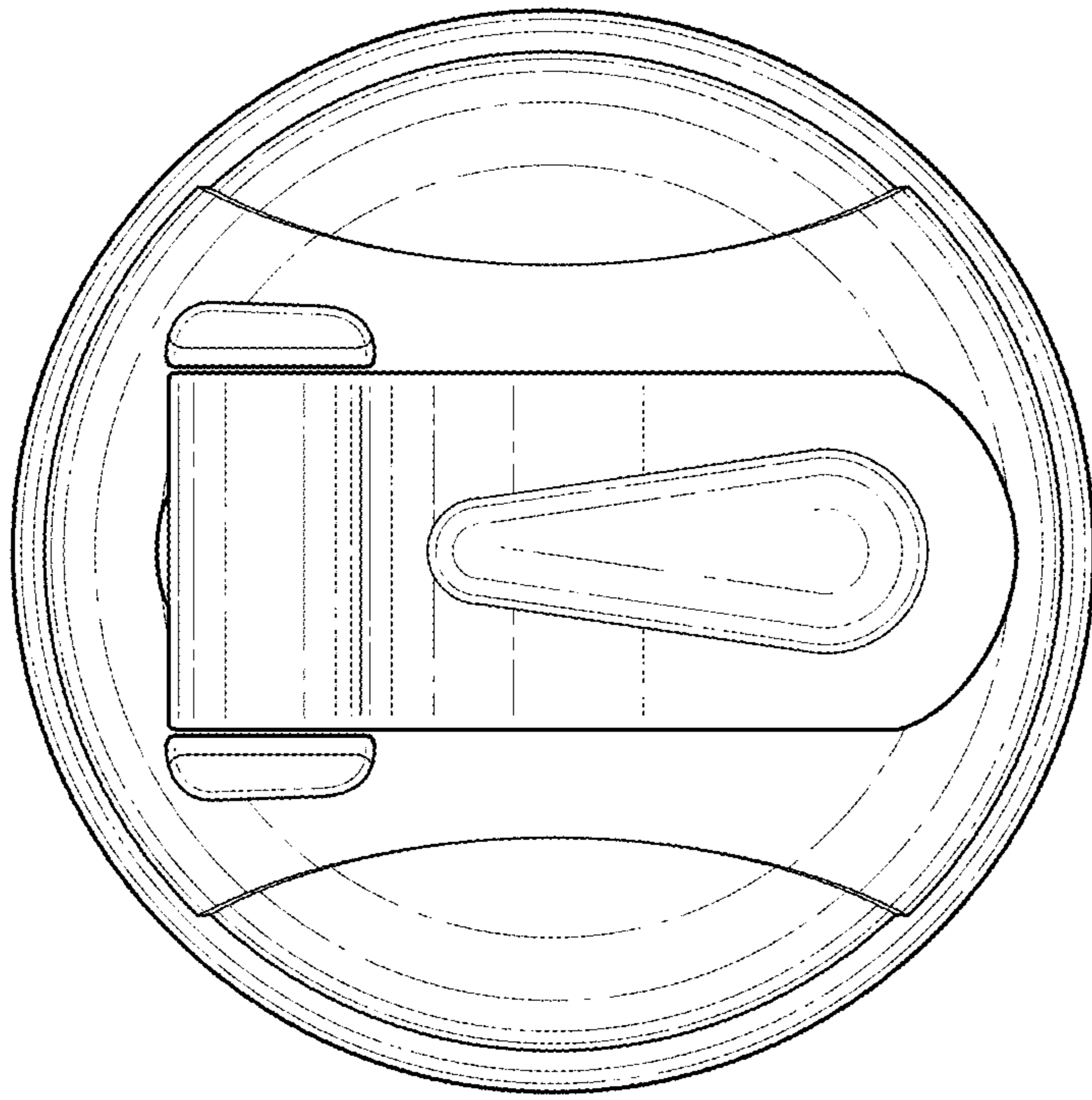


FIG. 7

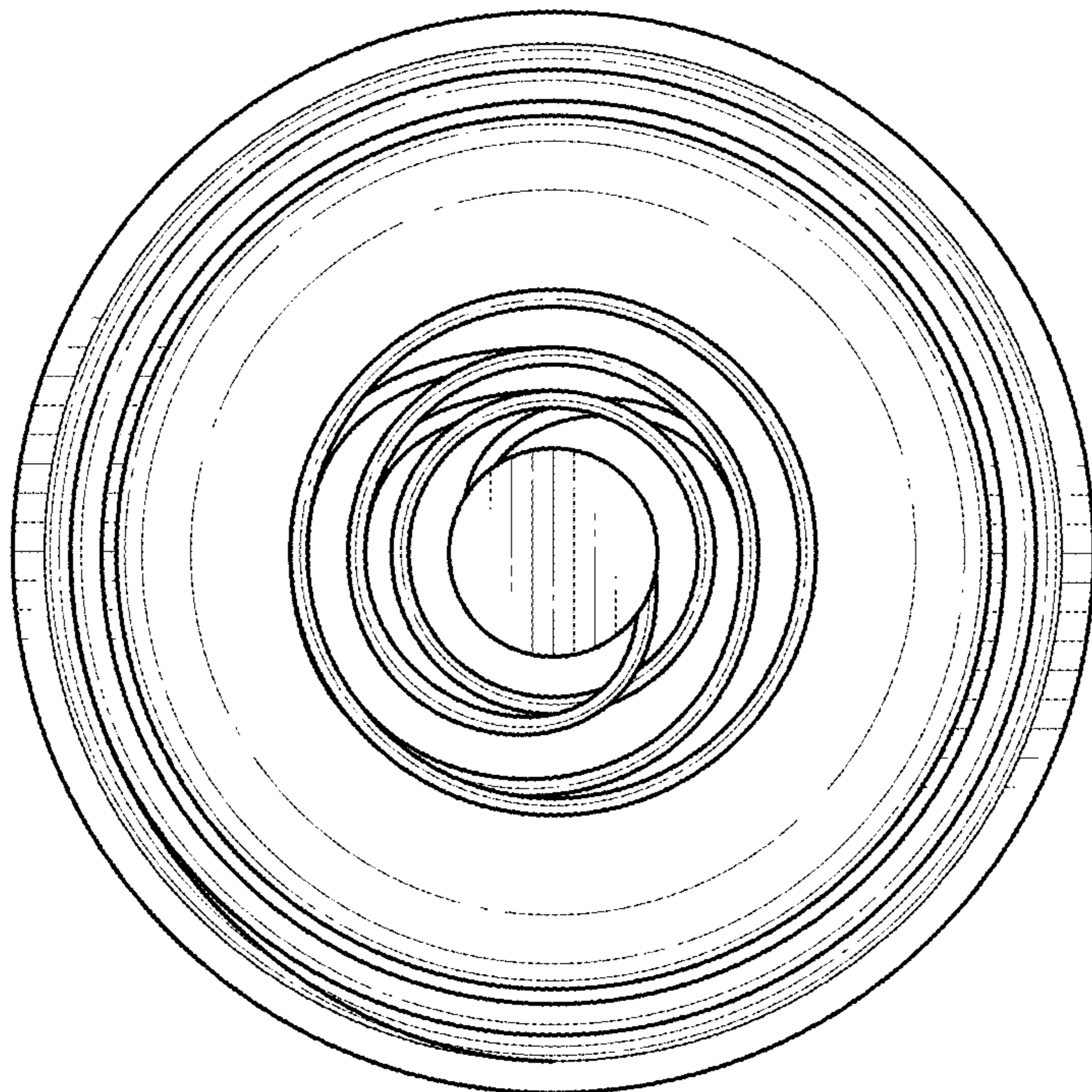


FIG. 8