



US00D808215S

(12) **United States Design Patent** (10) **Patent No.:** **US D808,215 S**
Stein (45) **Date of Patent:** **** Jan. 23, 2018**

(54) **HANDLE FOR UTENSILS**
(71) Applicant: **Sarah Stein**, Bronxville, NY (US)
(72) Inventor: **Sarah Stein**, Bronxville, NY (US)
(**) Term: **15 Years**
(21) Appl. No.: **29/560,034**
(22) Filed: **Apr. 1, 2016**
(51) **LOC (11) Cl.** **07-03**
(52) **U.S. Cl.**
USPC **D7/401.2; D7/653**
(58) **Field of Classification Search**
USPC D7/395, 368, 401.2, 642-645, 653-664,
D7/669, 675-677, 683, 688-689, 691;
D8/107, 300-301; D9/561;
D22/117-118
CPC ... A01D 9/02; A01D 9/04; A01D 9/06; A47G
21/00; A47G 21/004; A47G 21/005;
A47G 21/02; A47G 21/023; A47G 21/04;
A47G 21/06; A47G 21/08; A47J 43/28;
A47J 43/281; A47J 43/282; A61F 13/10;
A61J 7/0023; B25G 1/00; B25G 1/01;
B25G 1/02; B25G 1/10; B25G 3/00;
B26B 29/02; B65D 75/56; B65D 75/563;
B65D 75/566; B67B 7/00; B67B 7/724;
B67B 7/73
See application file for complete search history.

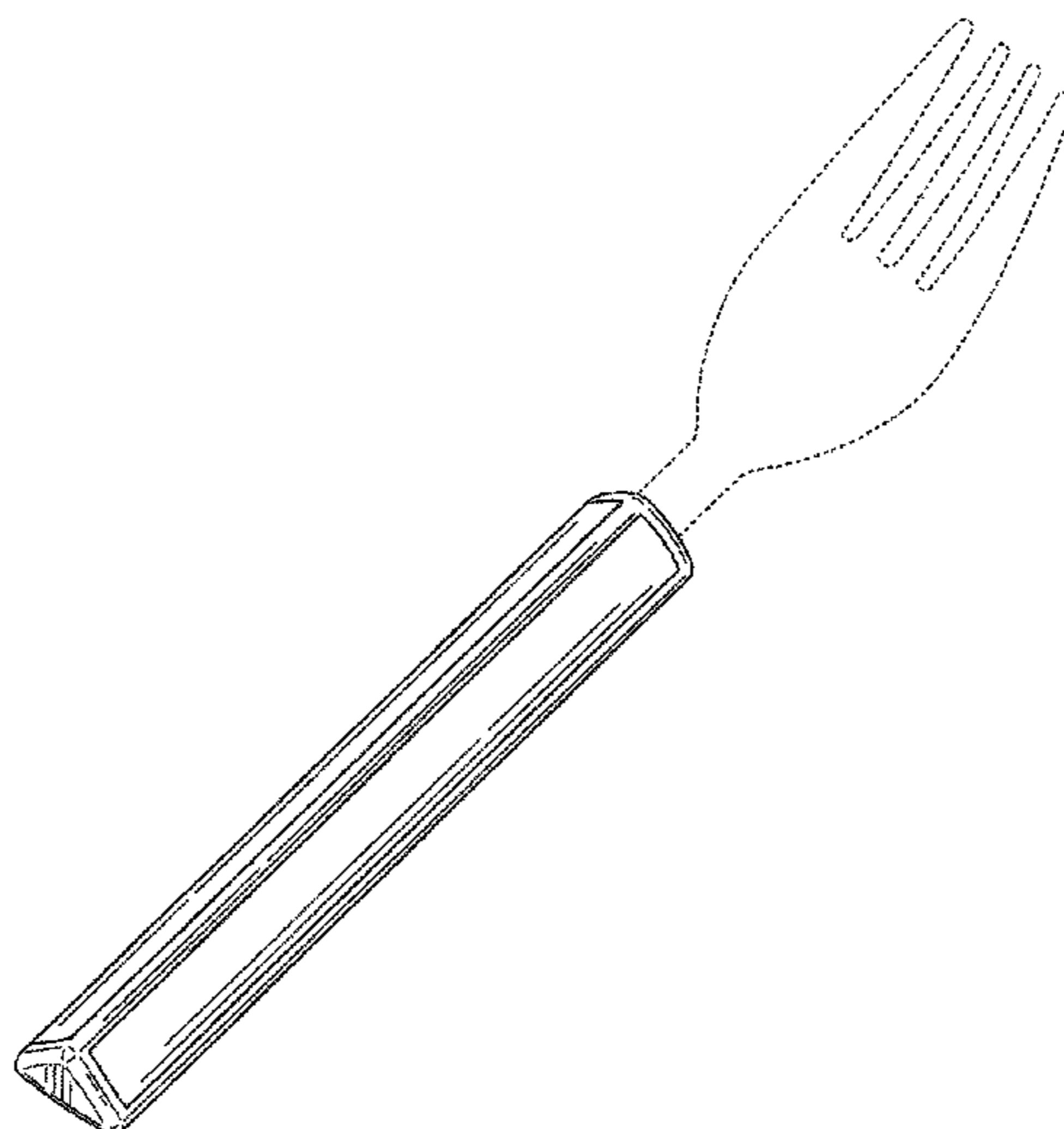
(56) **References Cited**
U.S. PATENT DOCUMENTS
108,141 A * 10/1870 Houseman et al. B26B 29/02
15/236.01
12,250 A 5/1881 Dominick
(Continued)
FOREIGN PATENT DOCUMENTS
EP 2007082332 7/2007
FR W09610939 4/1996
(Continued)

Primary Examiner — Ricky Pham
(74) *Attorney, Agent, or Firm* — Myron Greenspan;
Lackebach Siegel LLP

(57) **CLAIM**
The ornamental design for a handle for utensils, as shown
and described.

DESCRIPTION
FIG. 1 is a perspective view of a handle for utensils showing,
by way of example, the tines of a fork in phantom outline
connected to the handle;
FIG. 2 is similar to FIG. 1 without the environmental
showing of the tines of a fork;
FIG. 3 is a front elevational view thereof;
FIG. 4 is a rear elevational view thereof;
FIG. 5 is a right side elevational view thereof;
FIG. 6 is a left side elevational view thereof;
FIG. 7 is a bottom plan view thereof;
FIG. 8 is a top plan view thereof;
FIG. 9 is a perspective view of a still further embodiment of
the design for a handle for utensils, showing, by way of
example, the tines of a fork in phantom outline connected to
the handle;
FIG. 10 is similar to FIG. 9 but without the environmental
showing of the tines of a fork;
FIG. 11 is a front elevational view thereof;
FIG. 12 is a rear elevational view thereof;
FIG. 13 is a right side elevational view thereof;
FIG. 14 is a left side elevational view thereof;
FIG. 15 is a bottom plan view thereof; and,
FIG. 16 is a top plan view thereof.
The portions as shown in FIGS. 1-16 are lightly lined for
contour only and the contour lining does not contribute to
the claimed design. No claims are made to surface texture of
the particular design. The dash or phantom outlines in the
Figures represent disclaimed portions and shown for envi-
ronmental purposes only and do not form part of the claimed
design.

1 Claim, 10 Drawing Sheets



(56)

References Cited

U.S. PATENT DOCUMENTS

649,059 A * 5/1900 Kern B26B 29/02
 30/295
 983,736 A 2/1911 Maconochie
 3,271,856 A * 9/1966 Rowley A47G 21/02
 16/110.1
 D236,419 S * 8/1975 Sebring D7/645
 4,380,122 A 4/1983 Jagger
 4,389,777 A * 6/1983 Landsberger A47G 21/08
 30/324
 D278,304 S * 4/1985 Laslo D7/664
 D411,077 S * 6/1999 Kwok D7/395
 5,975,909 A 11/1999 Ritchie
 D545,636 S * 7/2007 Risdén D7/643
 D551,520 S * 9/2007 Everett D7/653
 D622,606 S * 8/2010 Masotti D9/561
 D657,621 S * 4/2012 Pookrum D7/401.2
 D699,072 S * 2/2014 Radtke D7/401.2
 D747,935 S * 1/2016 Schock D7/642
 2011/0003273 A1 1/2011 Roggensack
 2012/0324741 A1 12/2012 Pookrum

FOREIGN PATENT DOCUMENTS

JP 2004057788 2/2004
 JP 2004249042 9/2004

* cited by examiner

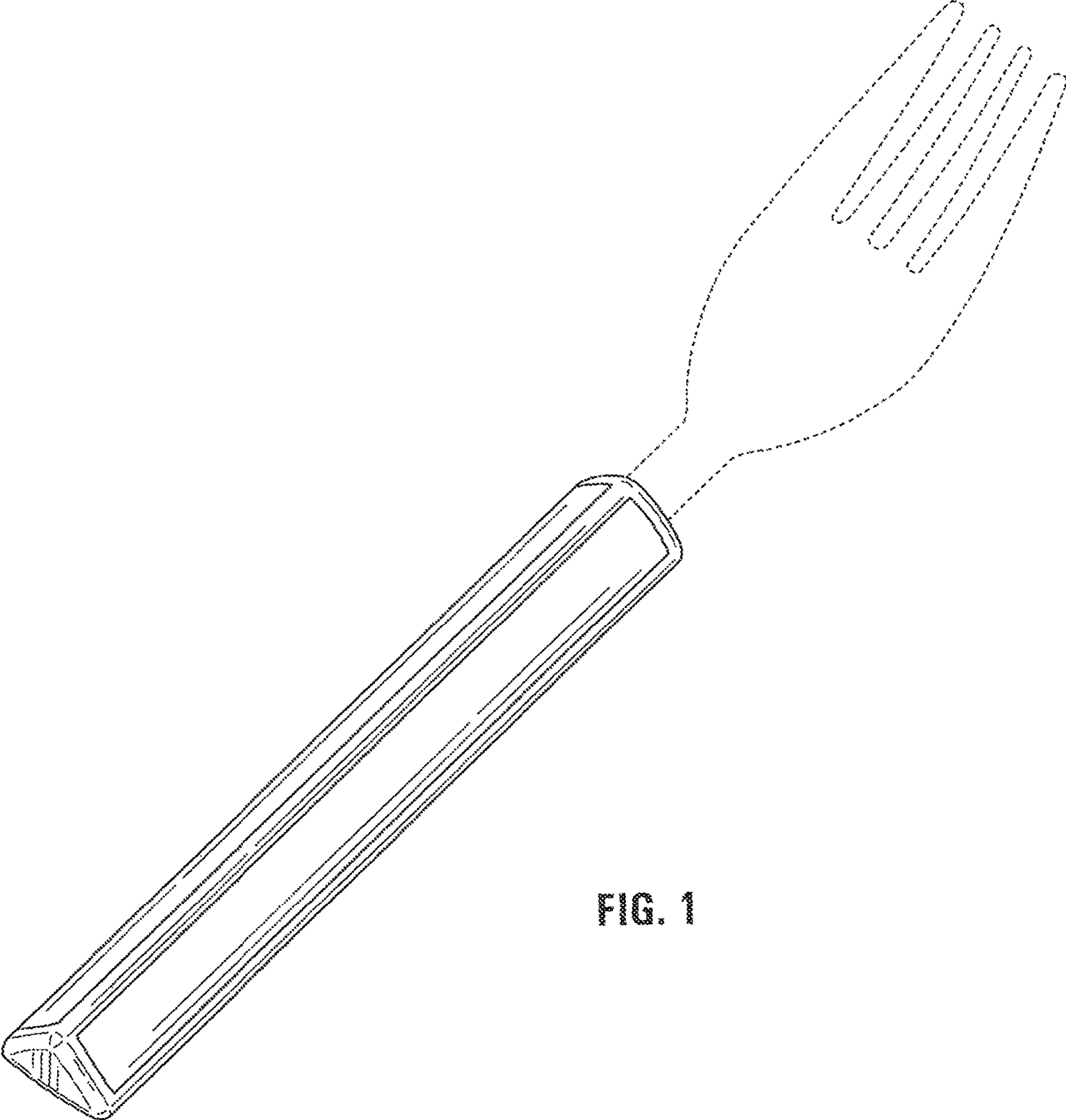


FIG. 1

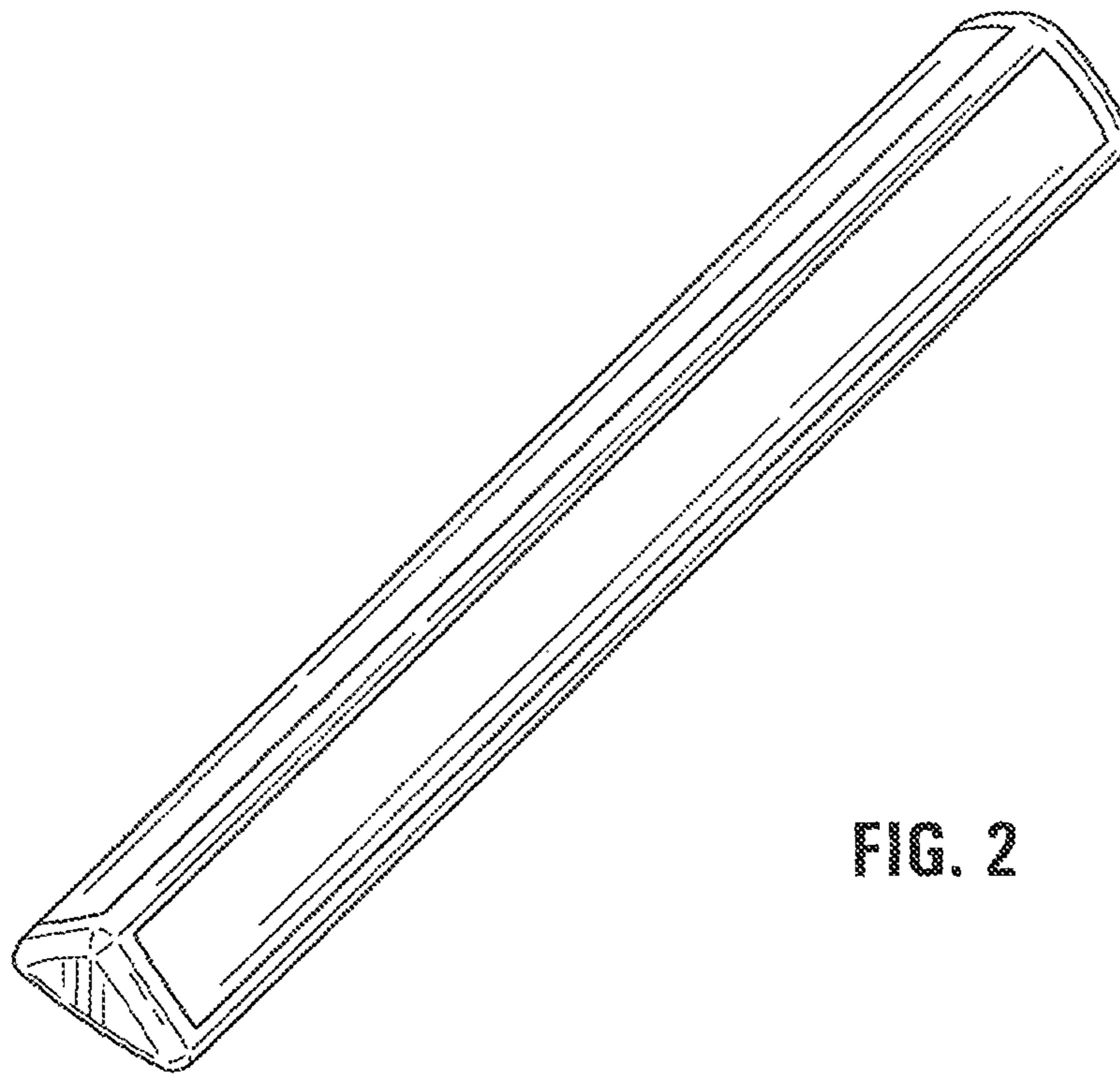


FIG. 2



FIG. 3

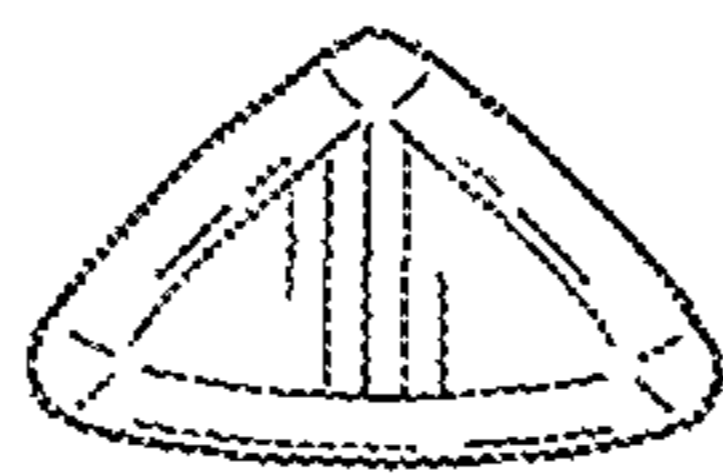


FIG. 4

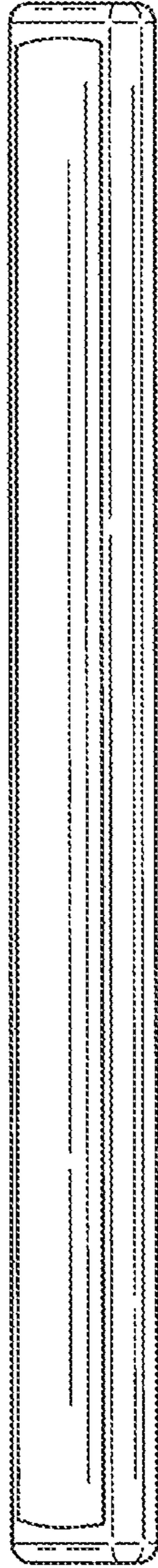


FIG. 5

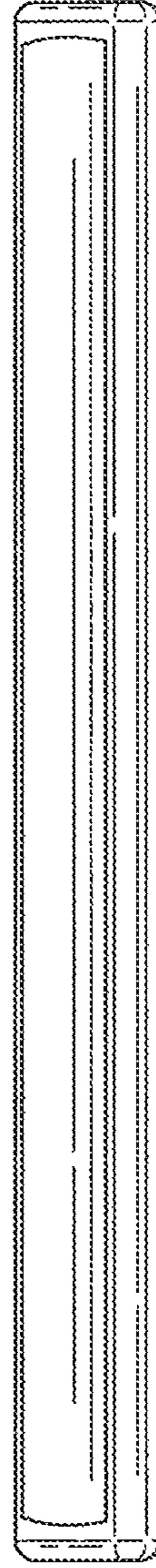


FIG. 6

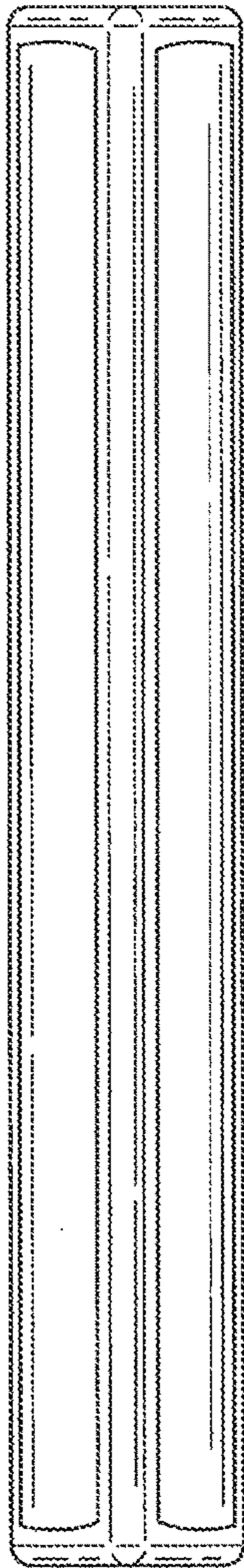


FIG. 7

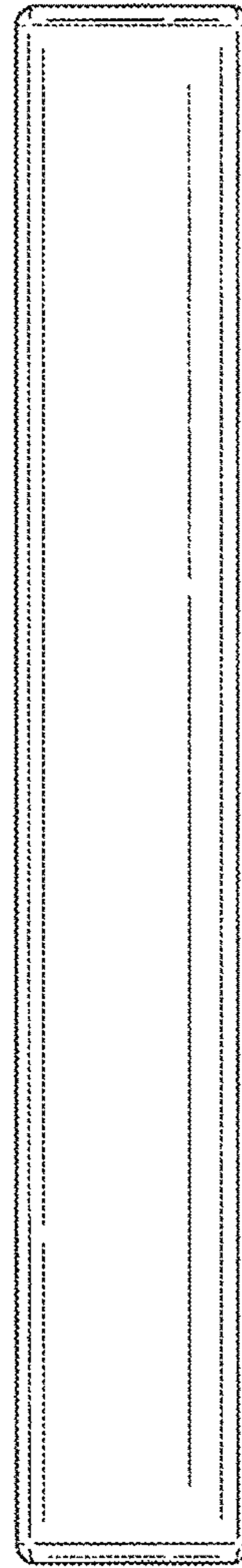


FIG. 8

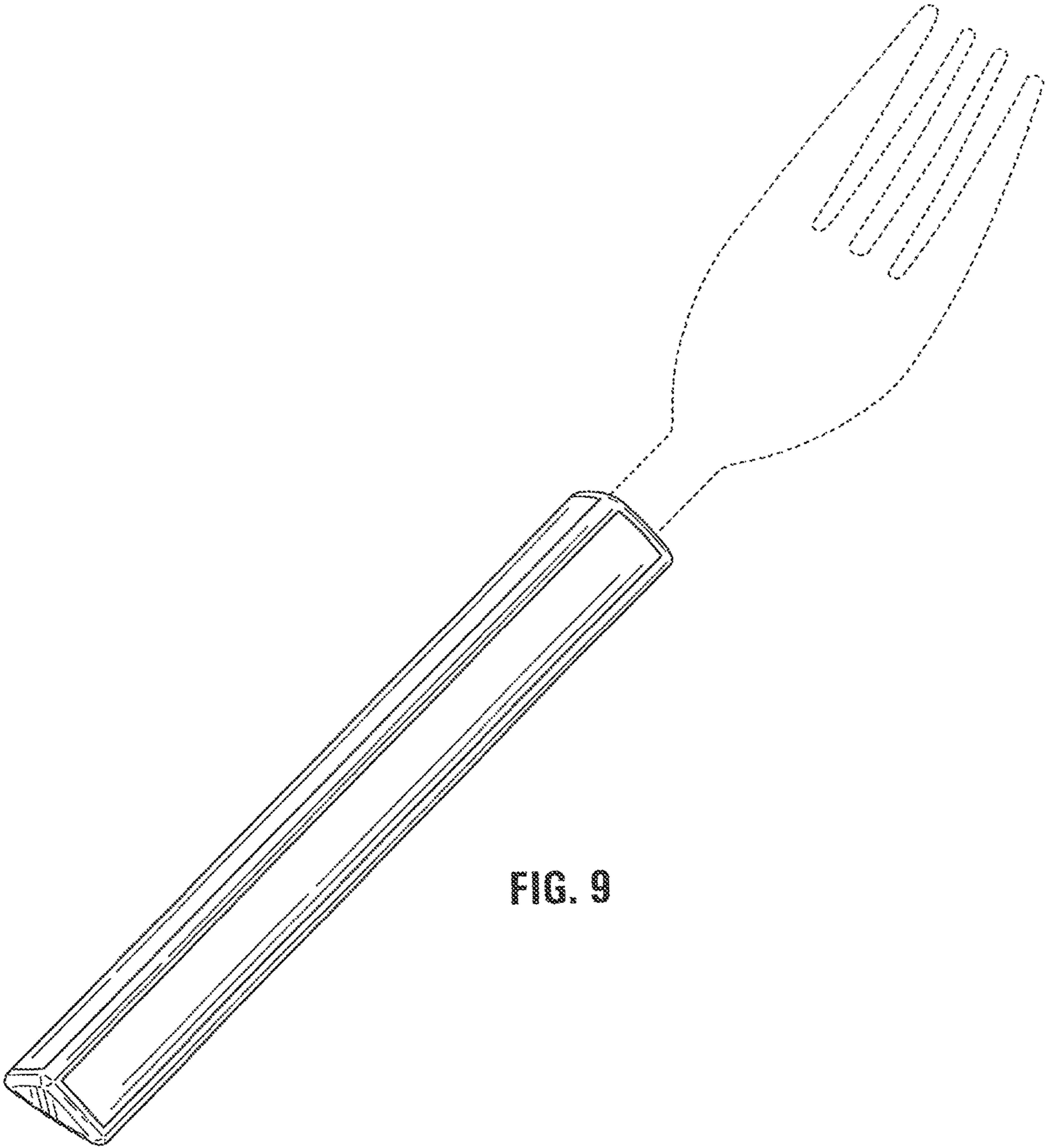


FIG. 9

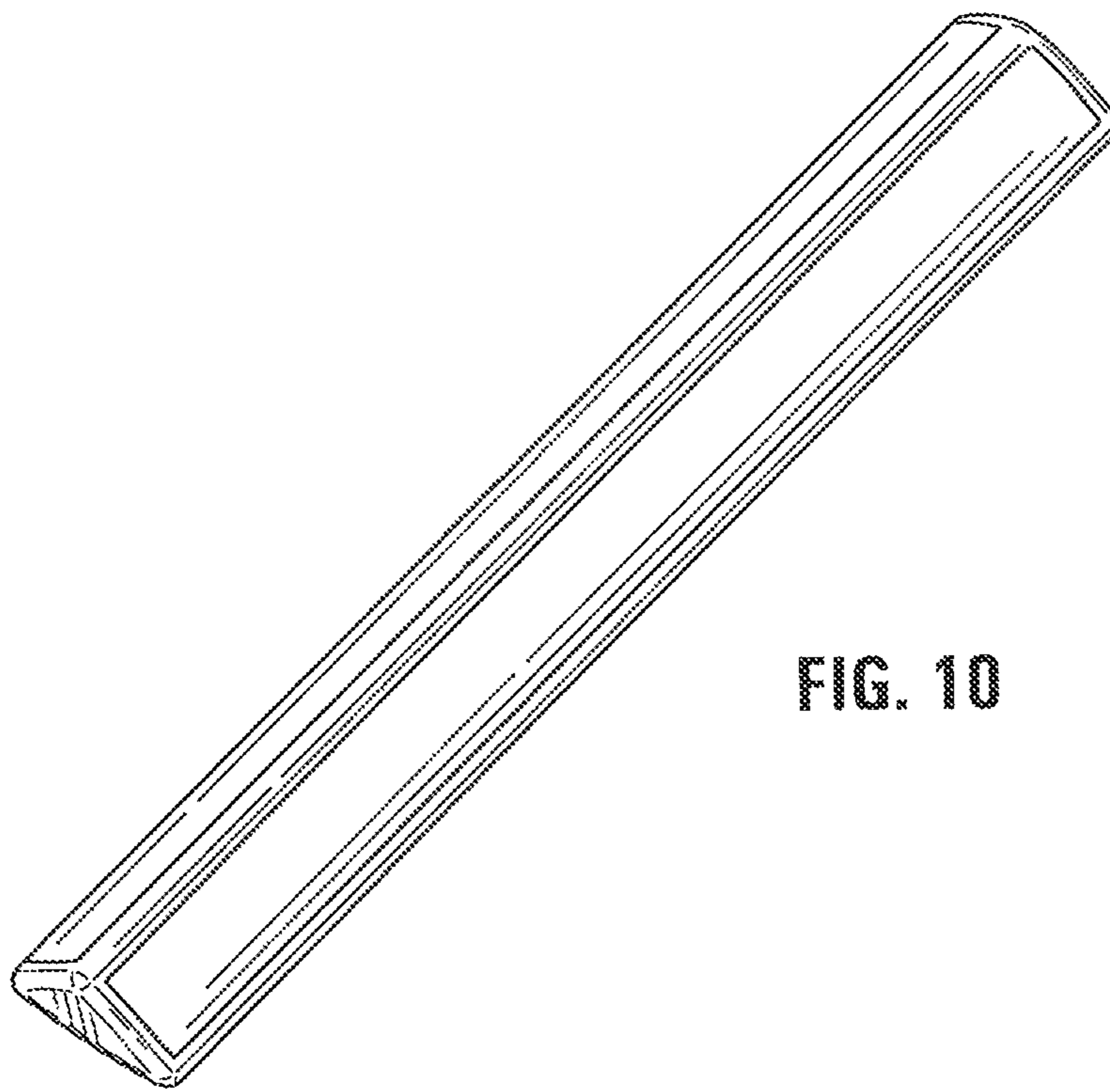


FIG. 10



FIG. 11



FIG. 12



FIG. 13

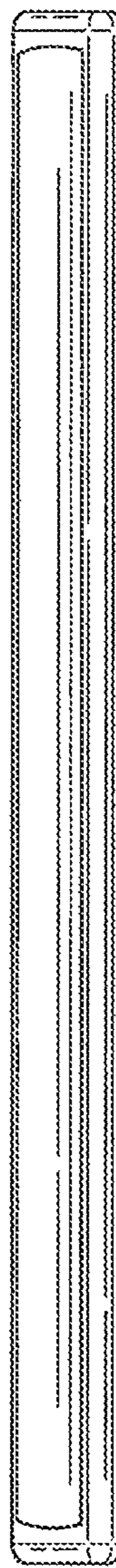


FIG. 14

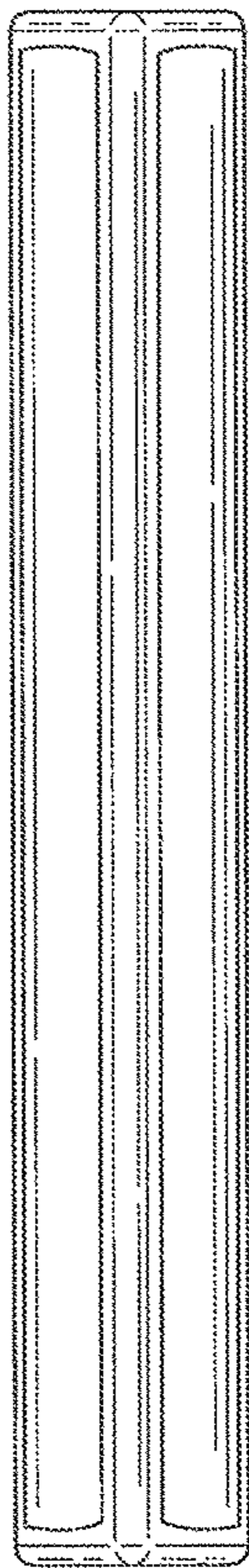


FIG. 15

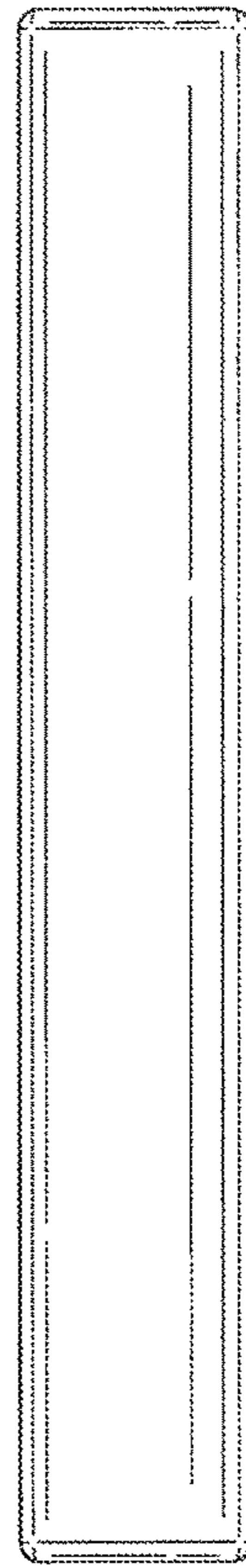


FIG. 16