



US00D808213S

(12) **United States Design Patent**  
**Lown et al.**

(10) **Patent No.:** **US D808,213 S**  
(45) **Date of Patent:** **\*\* Jan. 23, 2018**

(54) **BOTTLE LID**

(71) Applicant: **Takeya USA Corporation**, Huntington Beach, CA (US)

(72) Inventors: **John M. Lown**, Huntington Beach, CA (US); **Marc Tappeiner**, Santa Barbara, CA (US); **John Stump**, Santa Barbara, CA (US)

(73) Assignee: **Takeya USA Corporation**, Huntington Beach, CA (US)

(\*\*) Term: **15 Years**

(21) Appl. No.: **29/573,323**

(22) Filed: **Aug. 4, 2016**

(51) **LOC (11) Cl.** ..... **07-01**

(52) **U.S. Cl.**

USPC ..... **D7/396.2**

(58) **Field of Classification Search**

USPC ..... D7/316, 397, 510, 533; D9/434–436,  
D9/438, 439, 440, 443, 447, 449, 450,  
D9/454, 499; D23/260, 269, 390

CPC ..... B65D 51/1688

See application file for complete search history.

(56) **References Cited**

**U.S. PATENT DOCUMENTS**

D519,380 S *	4/2006	Leoncavallo	.....	D7/511
D528,921 S *	9/2006	Leoncavallo	.....	D7/511
D568,740 S *	5/2008	Williams	.....	D9/436
D620,798 S *	8/2010	Cresswell	.....	D9/443
D627,602 S *	11/2010	Eyal	.....	D7/510
D634,972 S *	3/2011	Staton	.....	D7/392.1
D652,255 S *	1/2012	Carland	.....	D7/510
D688,093 S *	8/2013	Roth	.....	D7/392.1
D695,069 S *	12/2013	Lane	.....	D7/510
D718,626 S *	12/2014	Lane	.....	B65D 41/62
				D9/449
D744,290 S *	12/2015	Endo	.....	D7/608
D760,540 S *	7/2016	Marina	.....	D7/510

D760,586 S *	7/2016	Seiders	.....	D7/392.1
D767,337 S *	9/2016	Boroski	.....	D7/510
D778,677 S *	2/2017	Boroski	.....	D7/510
D780,577 S *	3/2017	Seiders	.....	D7/392.1
D781,145 S *	3/2017	Seiders	.....	D7/392.1

(Continued)

**OTHER PUBLICATIONS**

Free Drinking Water. Takeya—Modern Flip Cap 16 OZ. Ice Pink Glass Water Bottle. 2017 [earliest online date], [site visited May 19, 2017]. Available from Internet, <URL:http://www.freedrinkingwater.com/takeya-modern-flip-cap-16-oz-ice-pink-glass-water-bottle.htm/>.\*

(Continued)

*Primary Examiner* — Robert M. Spear

*Assistant Examiner* — Darcey E Heflin

(74) *Attorney, Agent, or Firm* — Klein, O’Neill & Singh, LLP

(57) **CLAIM**

The ornamental design for a bottle lid, as shown and described.

**DESCRIPTION**

FIG. 1 is a perspective view of a bottle lid showing our new design;

FIG. 2 a perspective view thereof, but viewed from another angle;

FIG. 3 is a rear elevation view thereof;

FIG. 4 is a front elevation view thereof;

FIG. 5 is a left side elevation view thereof;

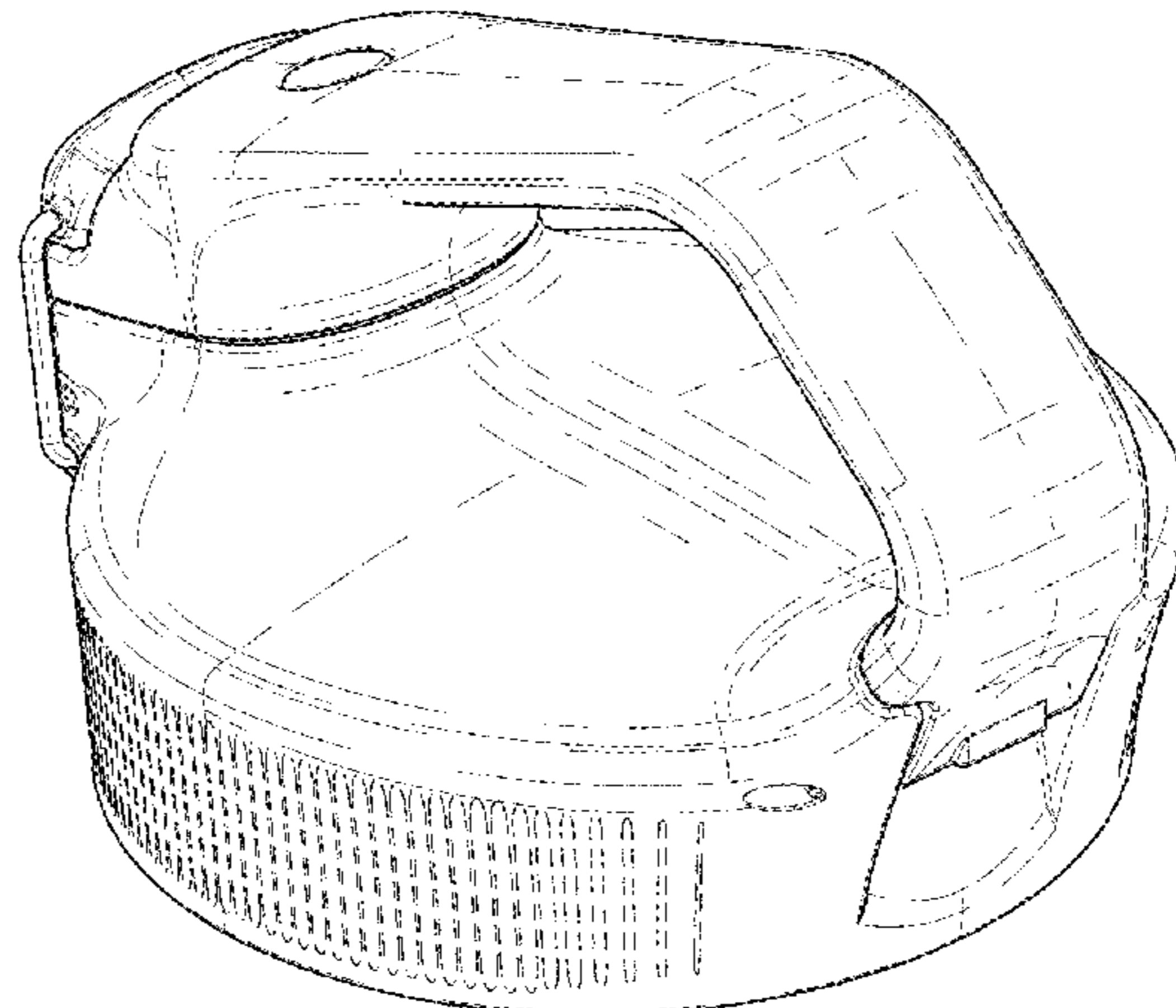
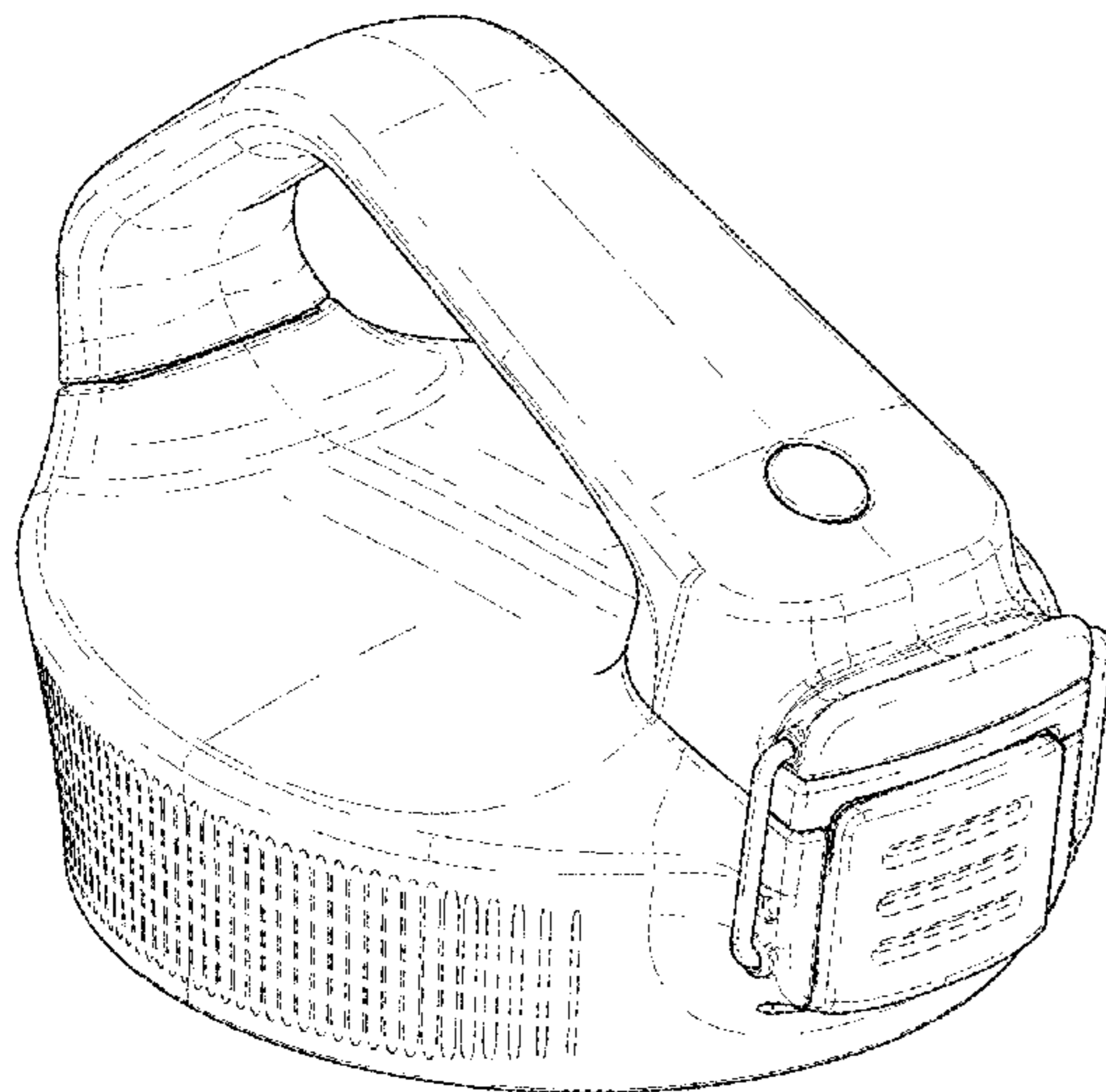
FIG. 6 is a right side elevation view thereof.

FIG. 7 is a bottom plan view thereof; and,

FIG. 8 is a top plan view thereof.

In the drawings, the shaded surfaces comprise the claim; the broken lines showing portions of a bottle lid depict environment and form no part of the claim.

**1 Claim, 4 Drawing Sheets**



(56)

**References Cited**

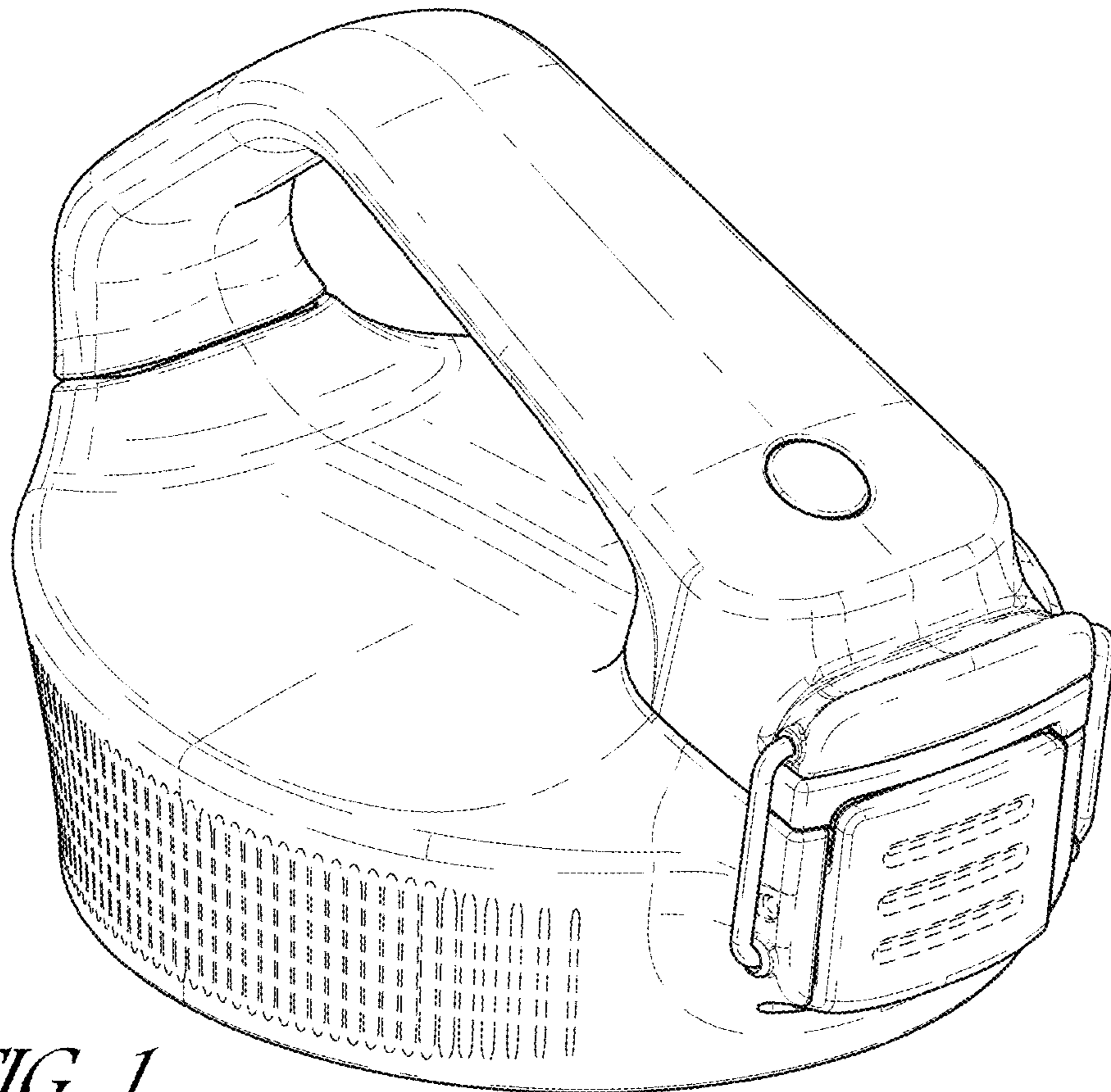
U.S. PATENT DOCUMENTS

D781,146 S \* 3/2017 Seiders ..... D7/392.1

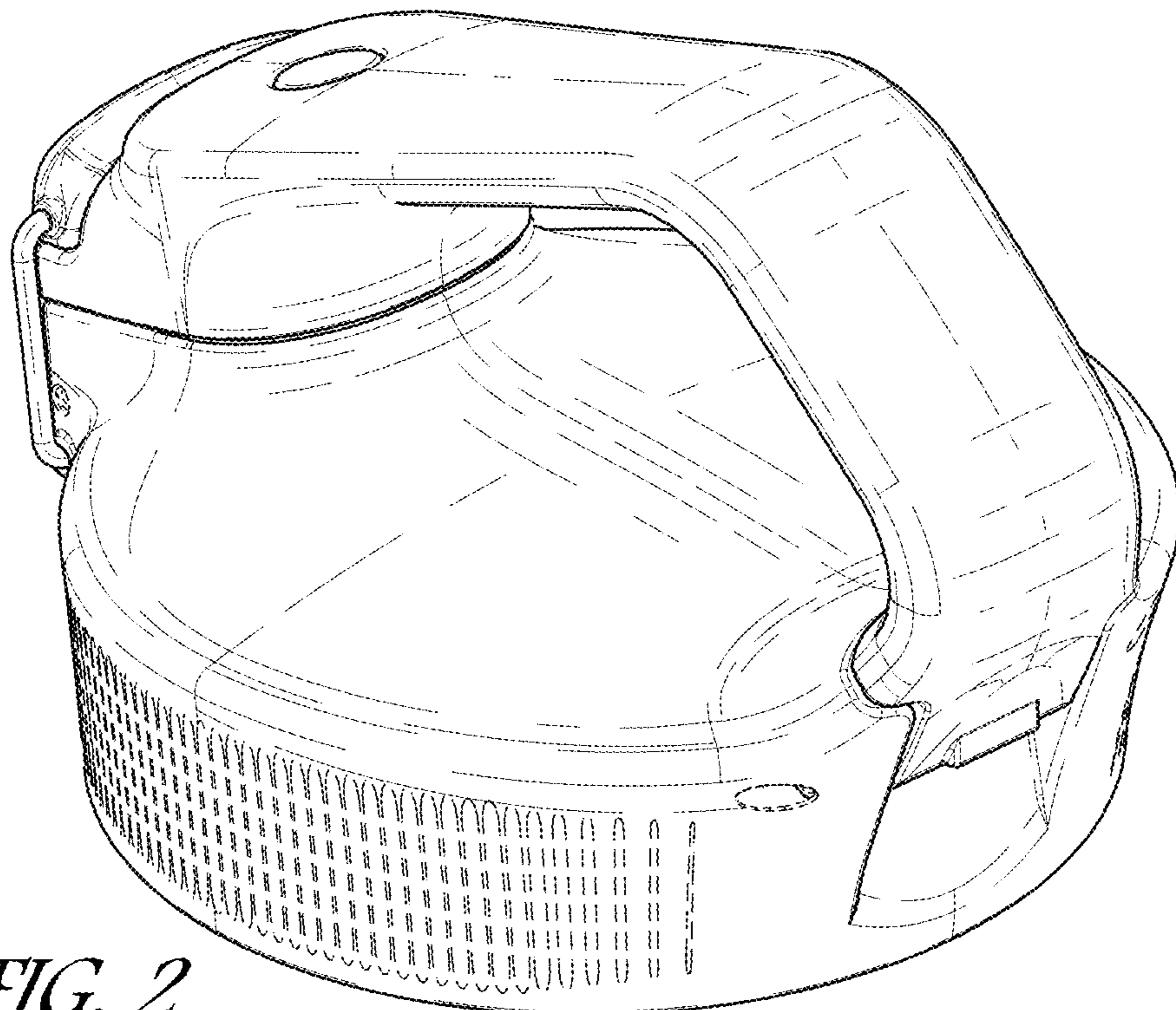
OTHER PUBLICATIONS

Takeya. Featured Products. 2016 [earliest online date], [site visited May 19, 2017]. Available from Internet, <URL:<http://takeyausa.com/>>.\*

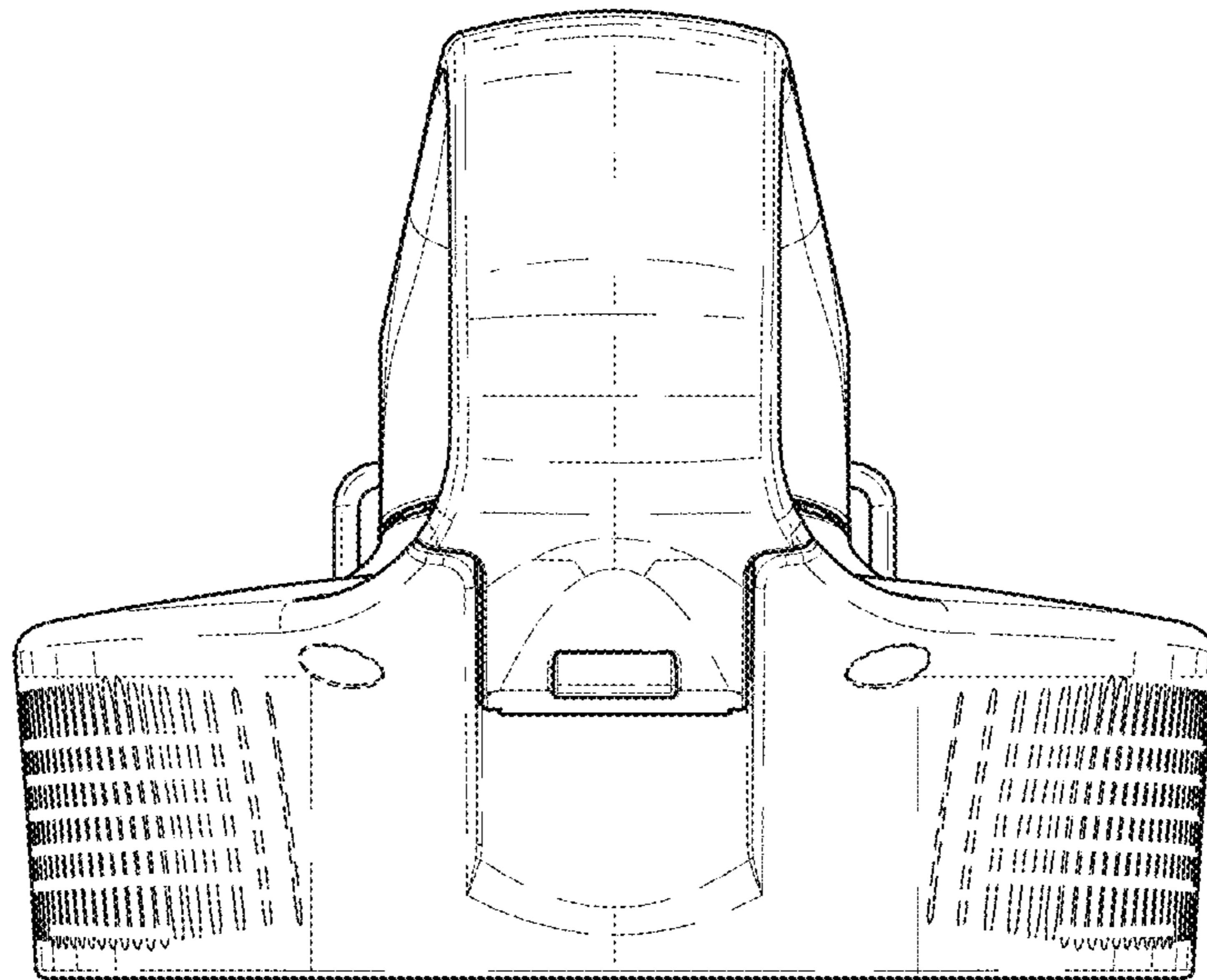
\* cited by examiner



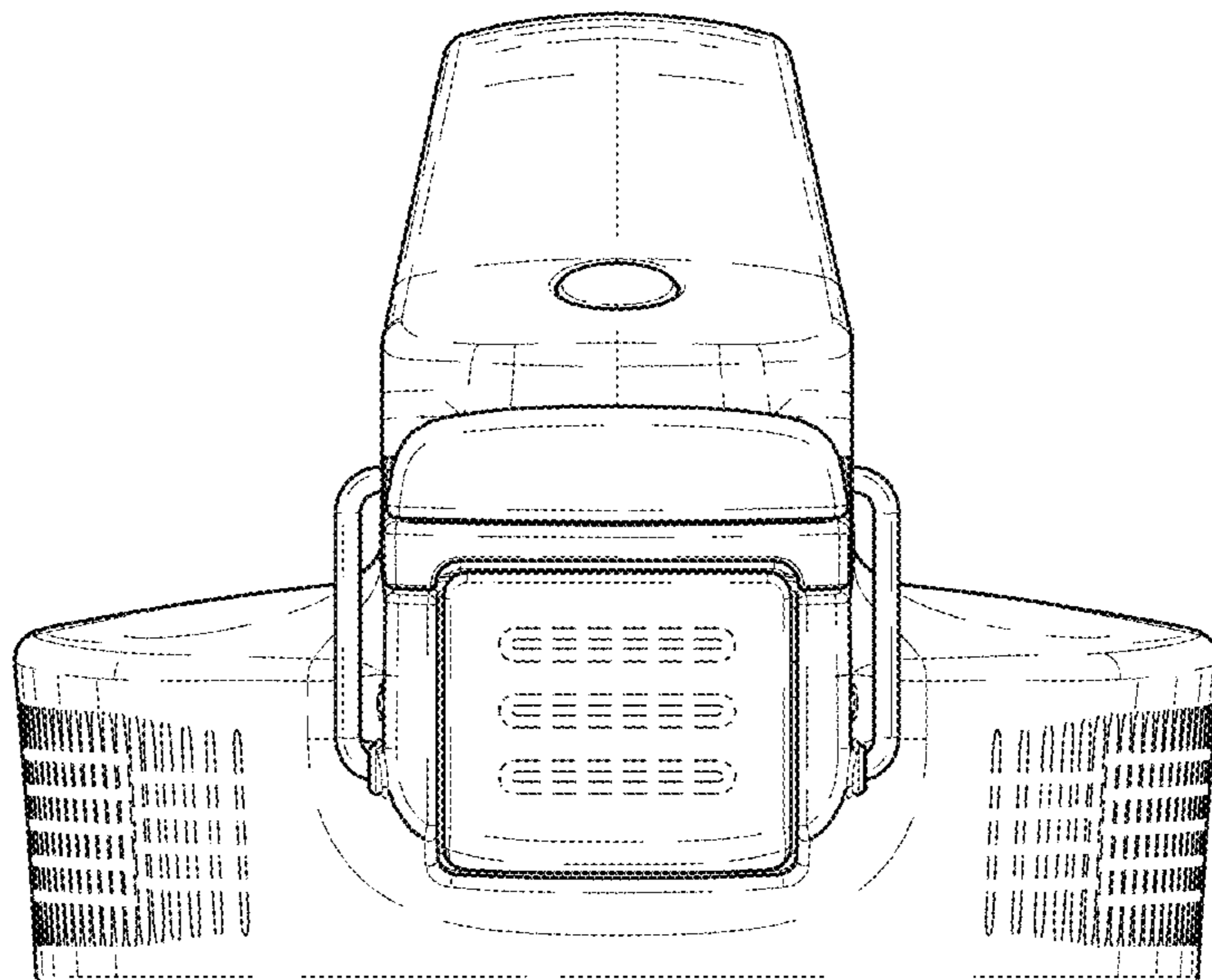
*FIG. 1*



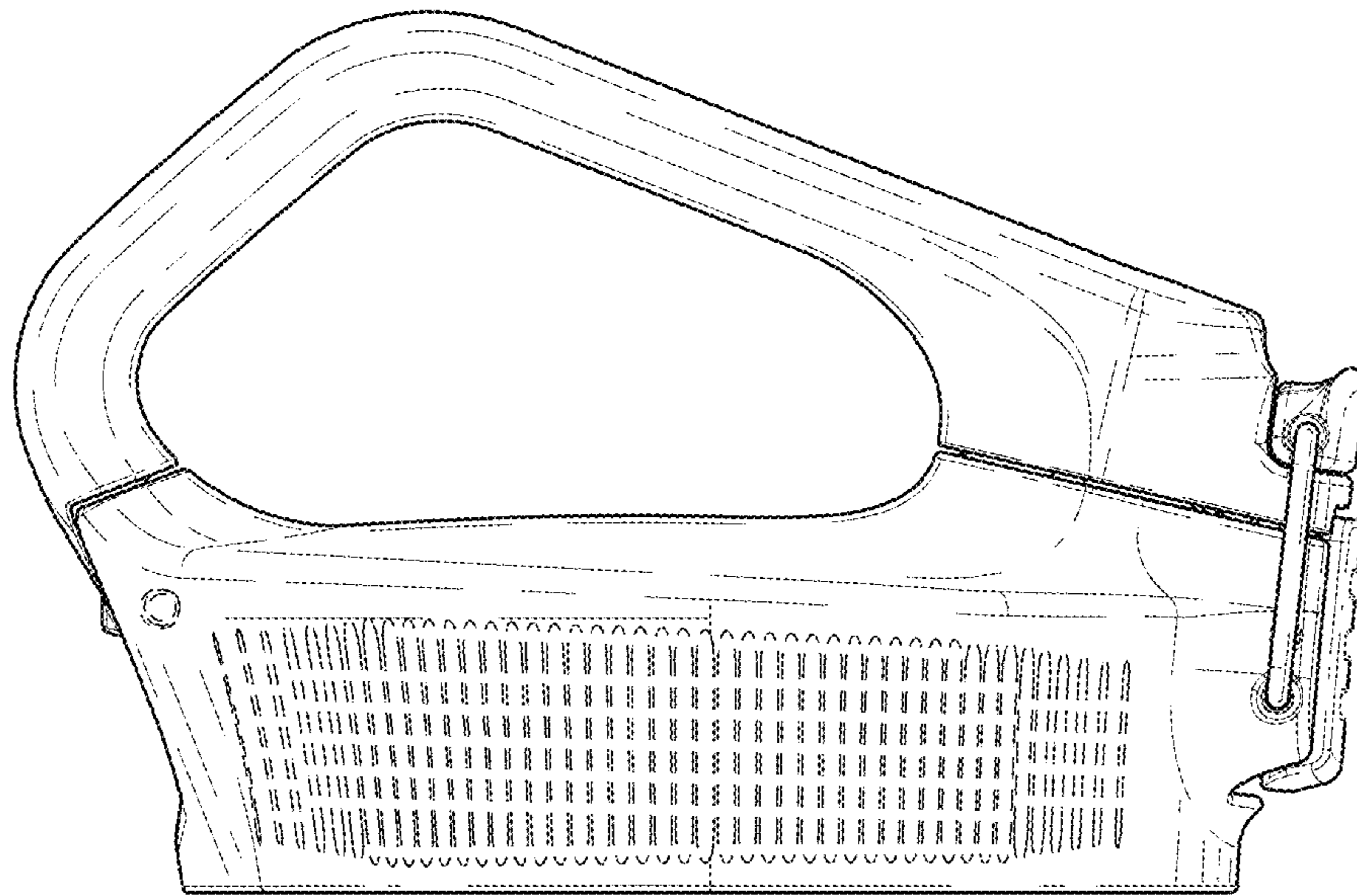
*FIG. 2*



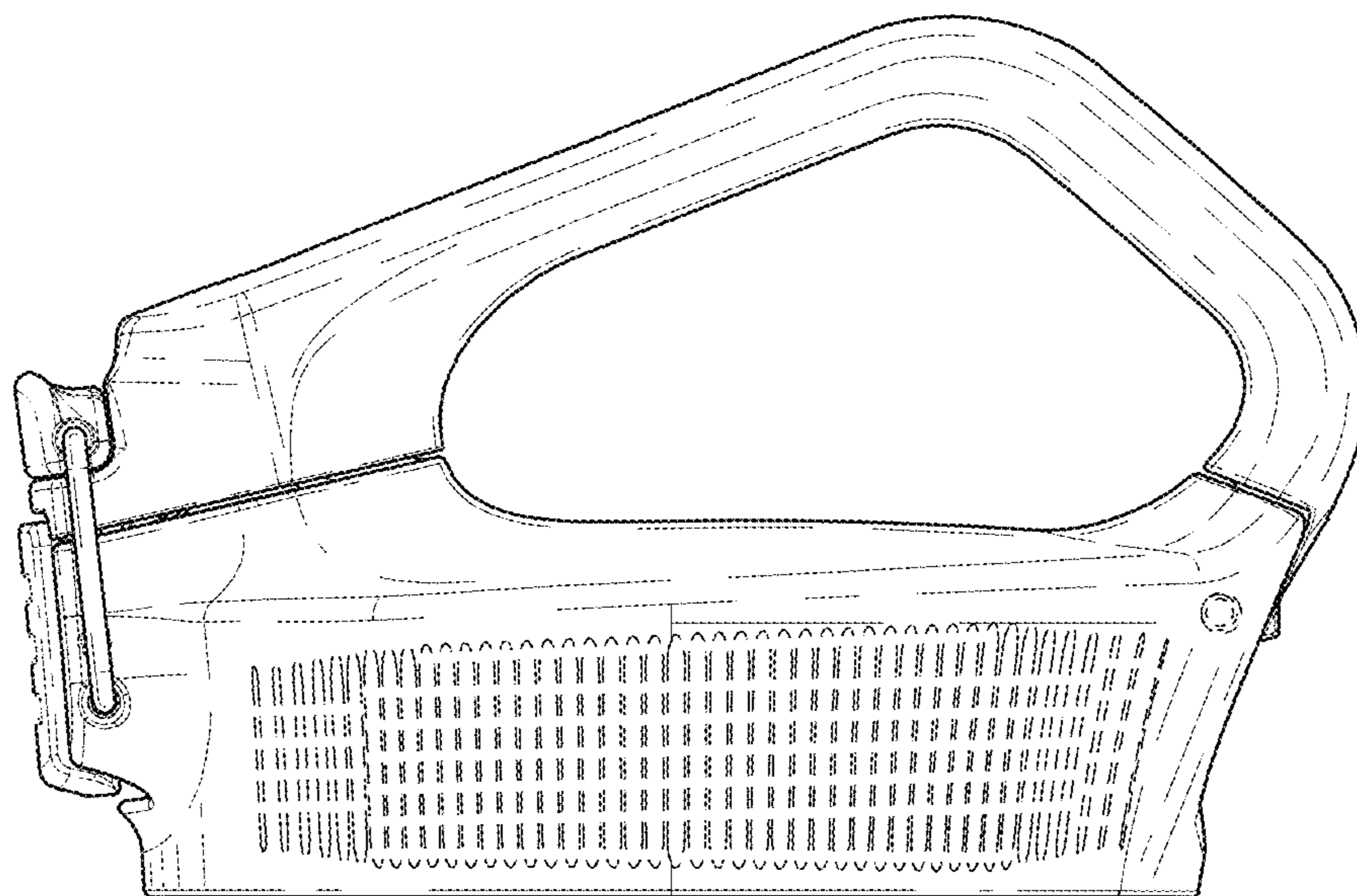
*FIG. 3*



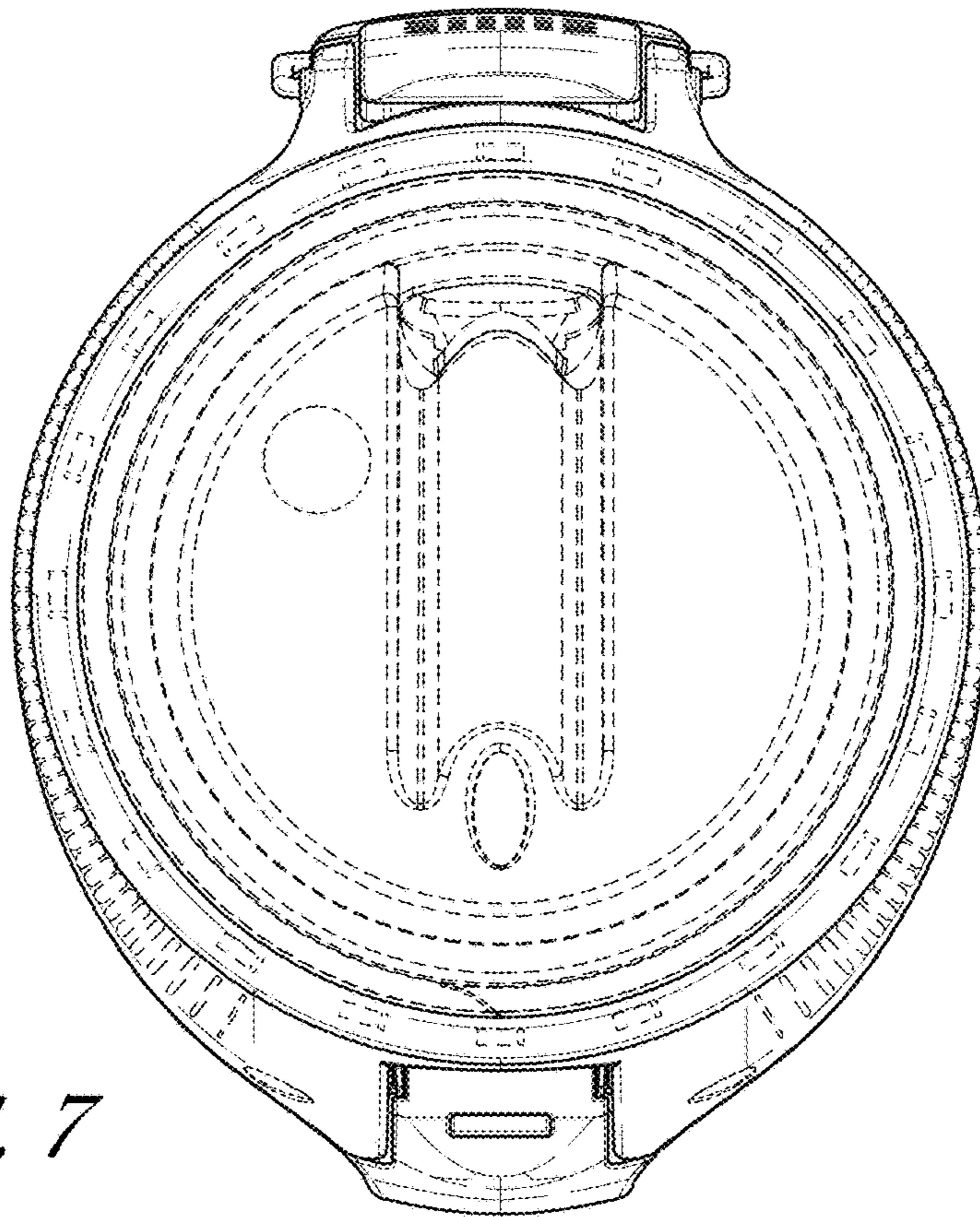
*FIG. 4*



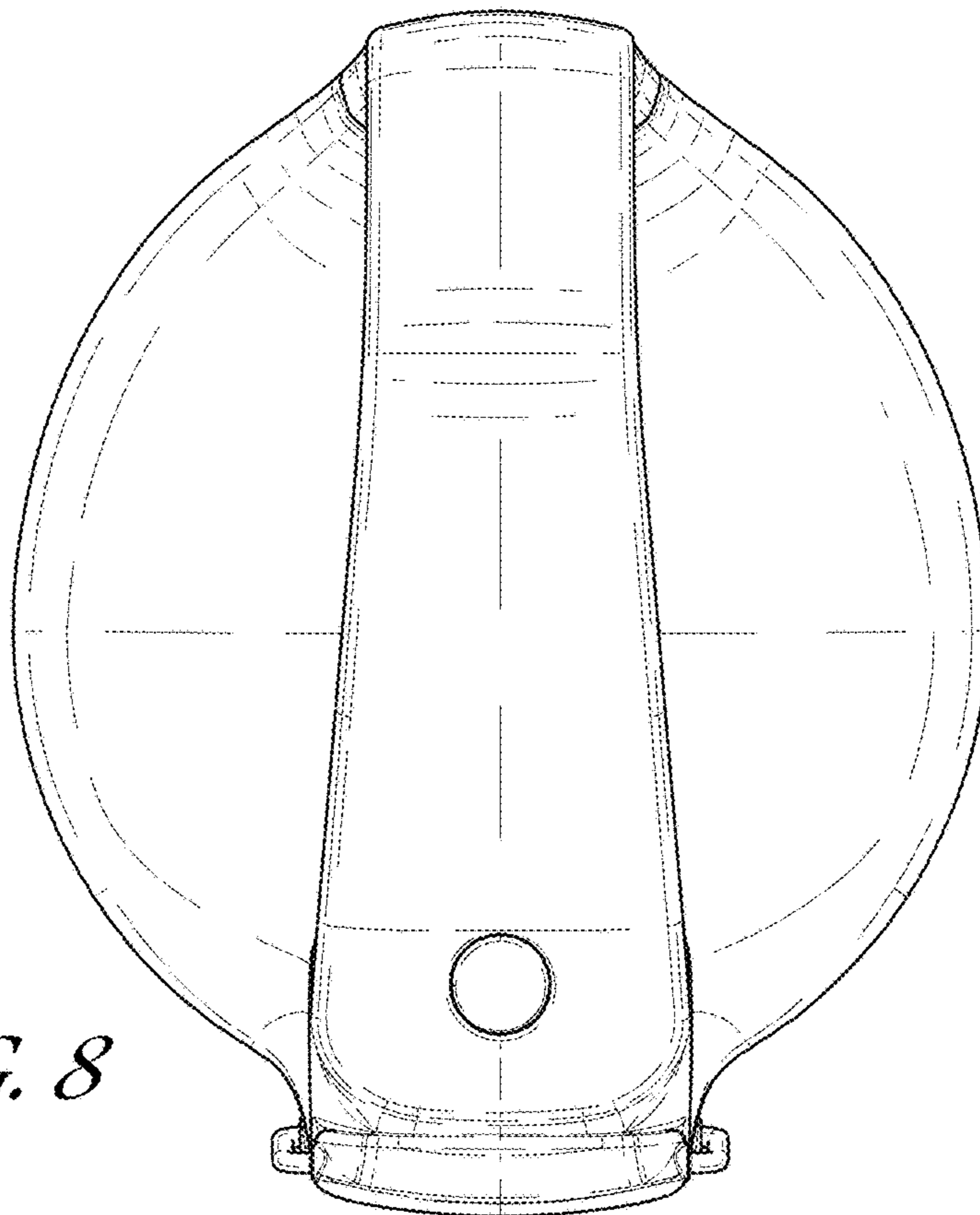
*FIG. 5*



*FIG. 6*



*FIG. 7*



*FIG. 8*