



US00D808211S

(12) **United States Design Patent**
Vu et al.

(10) **Patent No.:** **US D808,211 S**
(45) **Date of Patent:** **** Jan. 23, 2018**

(54) **IMMERSION BLENDER**
(71) Applicant: **DE'LONGHI BRAUN HOUSEHOLD GMBH**, Neu-Isenburg (DE)
(72) Inventors: **Duy P. Vu**, Schwalbach am Taunus (DE); **Dennis Müller**, Frankfurt am Main (DE); **Markus Orthey**, Eltville am Rhein (DE); **Britta Stockinger**, Frankfurt am Main (DE); **Sven Wuttig**, Griesheim (DE)

D398,809 S * 9/1998 Henderson D7/376
D400,756 S * 11/1998 Henderson D7/376
D425,368 S 5/2000 Littmann
D426,105 S * 6/2000 Littmann D7/376
D447,380 S * 9/2001 Feil D7/376
D456,206 S * 4/2002 Feil D7/376
D485,729 S * 1/2004 Patton D7/376
D506,102 S * 6/2005 Ikegaki D7/376
D510,837 S * 10/2005 Lloyd D7/376
D534,032 S 12/2006 Lloyd
D592,447 S * 5/2009 Blaise D7/376
D638,656 S * 5/2011 Brinckerhoff D7/376
D644,479 S * 9/2011 Lownds D7/376

(Continued)

(73) Assignee: **De'Longhi Braun Household GmbH**, Neu-Isenburg (DE)

(**) Term: **15 Years**

(21) Appl. No.: **29/556,077**

(22) Filed: **Feb. 26, 2016**

(30) **Foreign Application Priority Data**

Aug. 26, 2015 (EM) 002760900-0001

(51) **LOC (11) Cl.** **31-00**

(52) **U.S. Cl.**
USPC **D7/376; D7/378; D7/380; D7/383**

(58) **Field of Classification Search**
USPC **D7/372, 373, 376, 378-381, 383, 393, D7/669**

CPC .. **A21C 1/02; A21C 1/04; A47J 43/044; A47J 43/042; A47J 43/04409; A47J 43/0722; A47J 43/0755; A47J 43/07; A47J 43/10; A47J 43/1031; A47J 43/1056; A47J 43/04**

See application file for complete search history.

(56) **References Cited**

U.S. PATENT DOCUMENTS

D345,076 S * 3/1994 Saltet D7/376
D383,938 S 9/1997 Littmann
D394,367 S 5/1998 Littmann

OTHER PUBLICATIONS

U.S. Appl. No. 29/574,642, Stick Blender, filed Aug. 17, 2016.

(Continued)

Primary Examiner — Mary Ann Calabrese

Assistant Examiner — Mehri Bajoul

(74) *Attorney, Agent, or Firm* — Baker & Hostetler LLP

(57) **CLAIM**

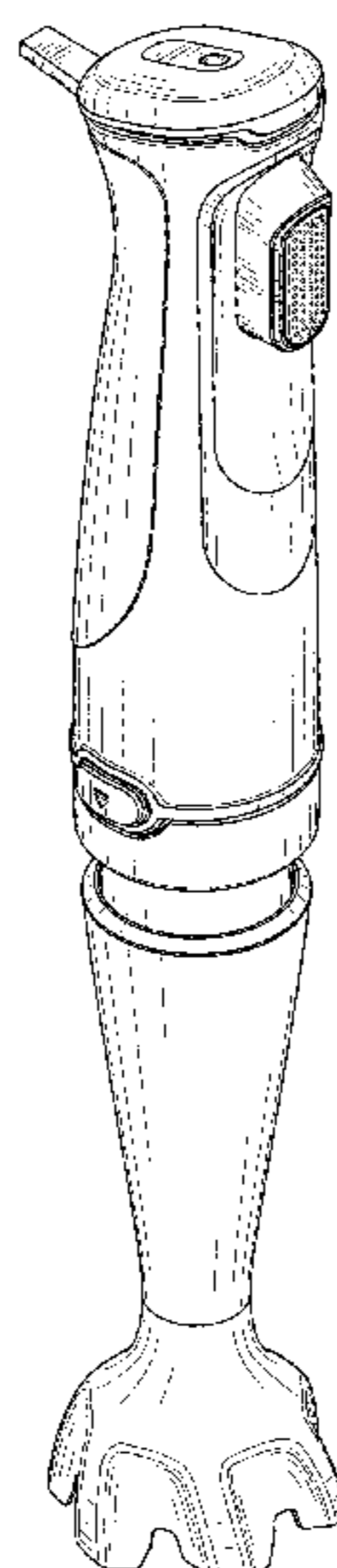
The ornamental design for an immersion blender, as shown and described.

DESCRIPTION

FIG. 1 is a top perspective view of an immersion blender; FIG. 2 is a front view of the immersion blender; FIG. 3 is a rear view of the immersion blender; FIG. 4 is a right side view of the immersion blender; FIG. 5 is a left side view of the immersion blender; FIG. 6 is a top view of the immersion blender; FIG. 7 is a bottom view of the immersion blender; and, FIG. 8 is a bottom perspective view of the immersion blender.

The broken lines shown throughout the views represent the portions of the immersion blender which form no part of the claimed design.

1 Claim, 5 Drawing Sheets



(56)

References Cited

U.S. PATENT DOCUMENTS

D645,306	S	9/2011	Lownds	
D649,394	S *	11/2011	Grabes	D7/376
D651,041	S *	12/2011	Bachmann	D7/376
D651,846	S *	1/2012	Roseby	D7/376
D660,641	S *	5/2012	Hoare	D7/376
D662,765	S *	7/2012	Grabes	D7/376
D663,157	S *	7/2012	Nordwall	D7/376
D663,573	S	7/2012	Nordwall	
D667,682	S	9/2012	Agren	
D668,099	S *	10/2012	Ferraby	D7/376
D668,911	S *	10/2012	Bachmann	D7/376
D681,391	S *	5/2013	Agren	D7/376
D695,565	S *	12/2013	Verbrugge	D7/376
D700,798	S *	3/2014	Wu	D7/376
D726,496	S *	4/2015	Vu	D7/376
D751,858	S *	3/2016	Zhang	D7/378
D756,166	S *	5/2016	Lee	D7/376
2005/0078549	A1	4/2005	Hamelin	

OTHER PUBLICATIONS

U.S. Appl. No. 29/556,084, Immersion Blender Handle, filed Feb. 26, 2016.

U.S. Appl. No. 29/556,088, Immersion Blender Attachment, filed Feb. 26, 2016.

* cited by examiner

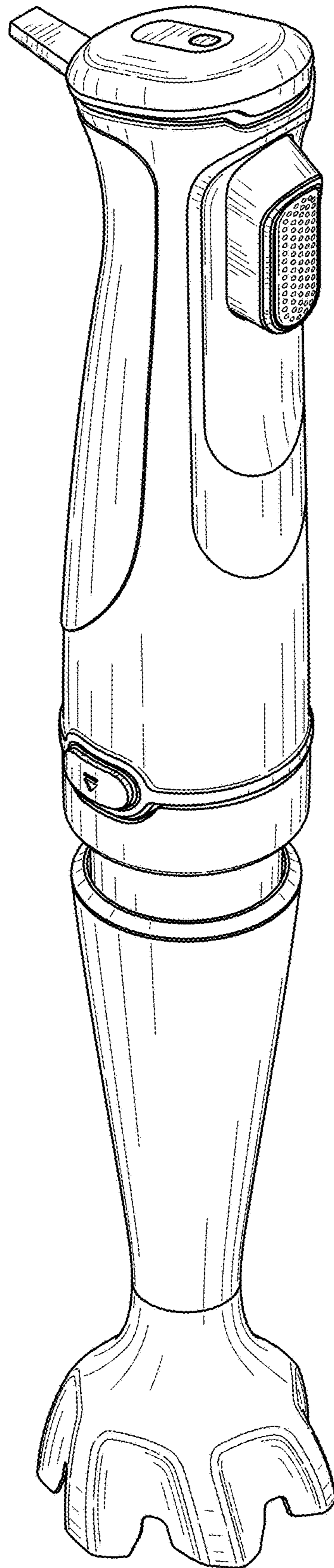


FIG. 1

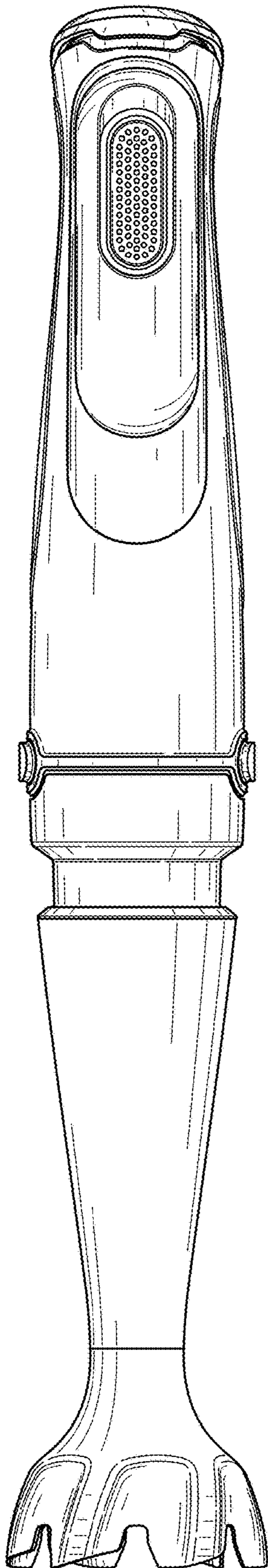


FIG. 2

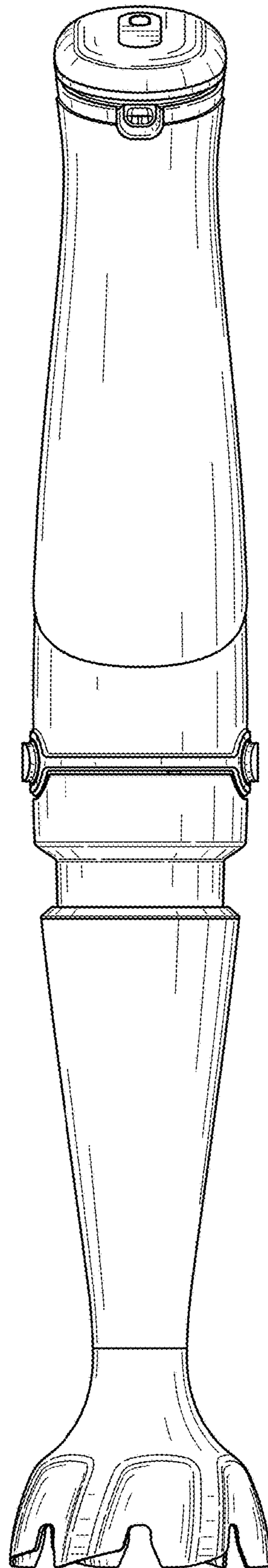


FIG. 3

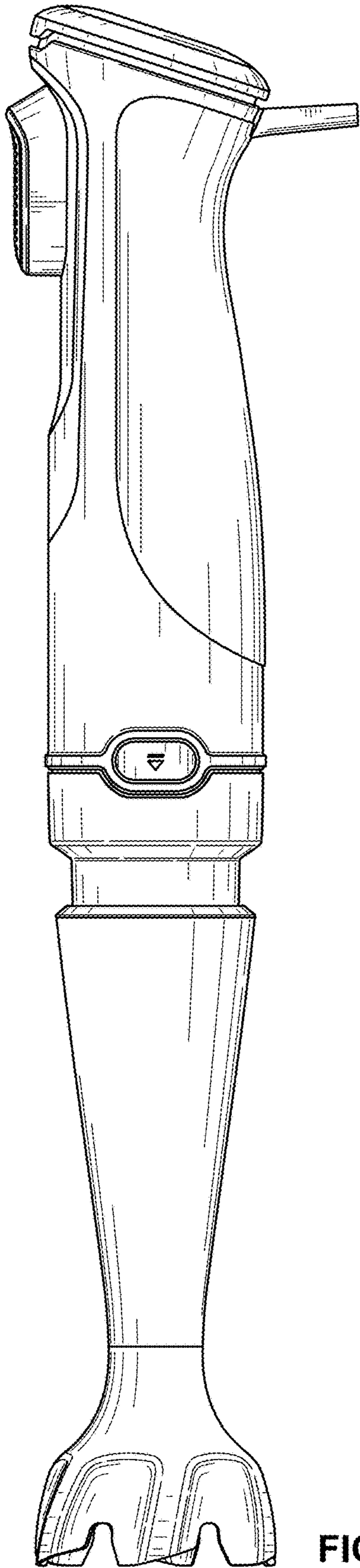


FIG. 4

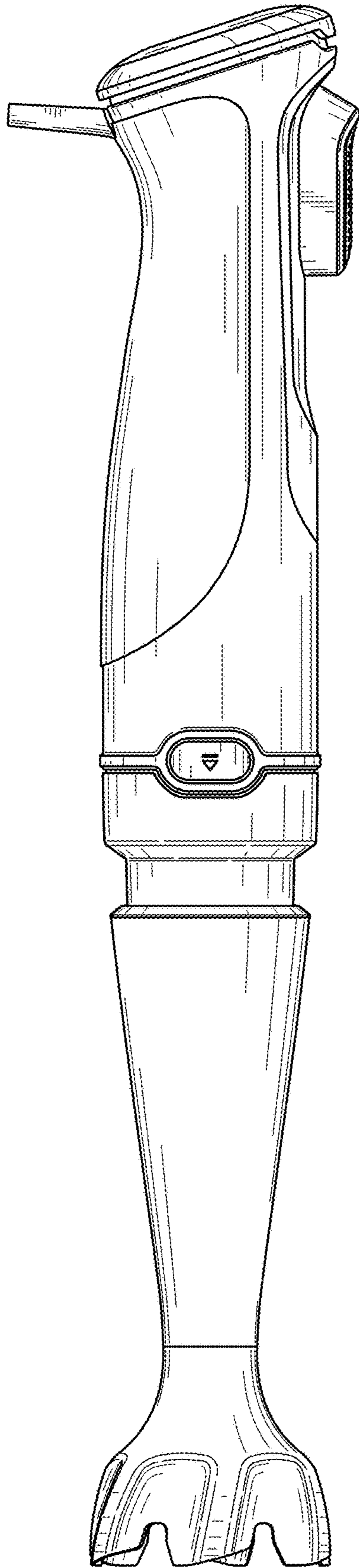


FIG. 5

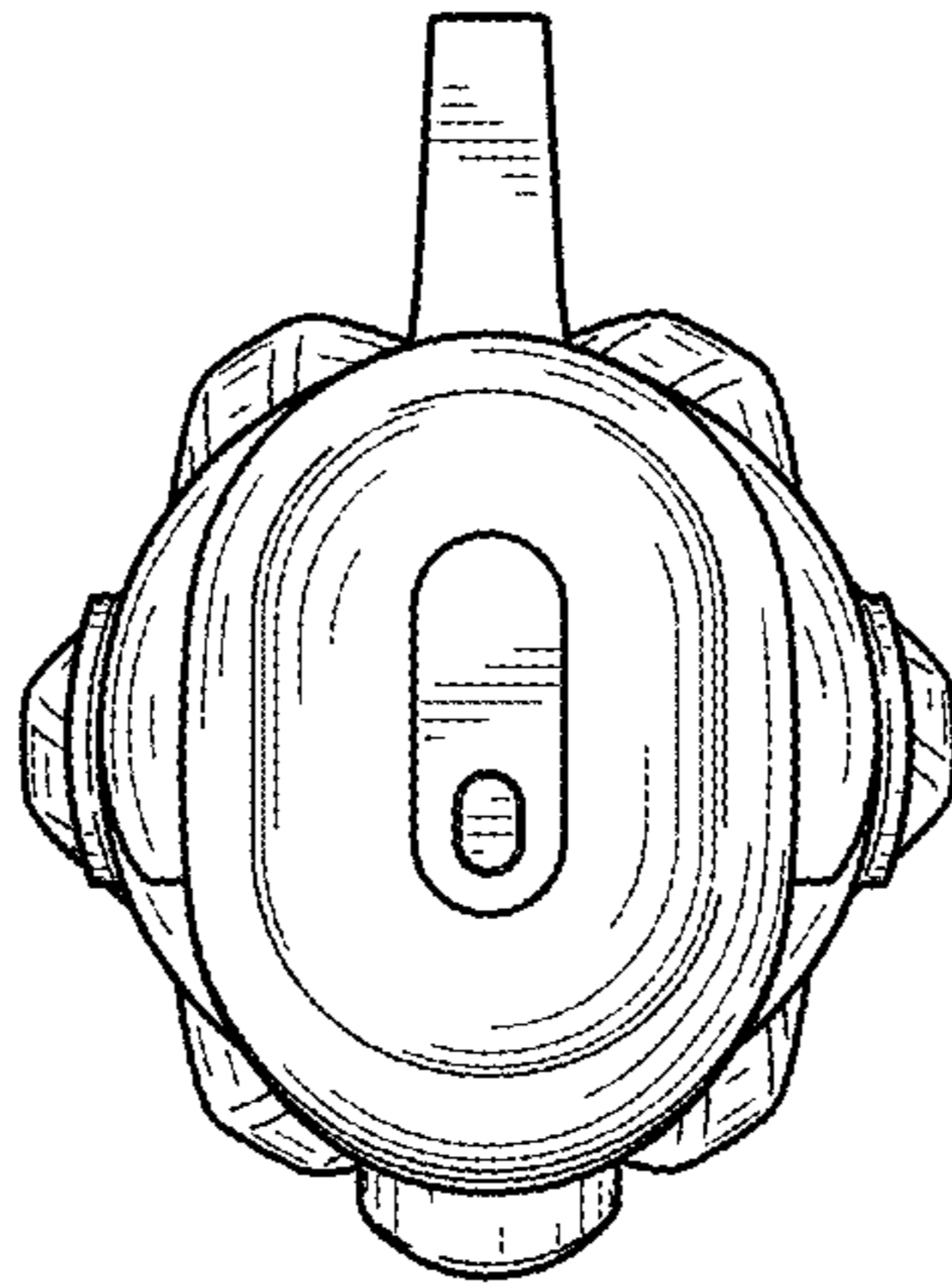


FIG. 6

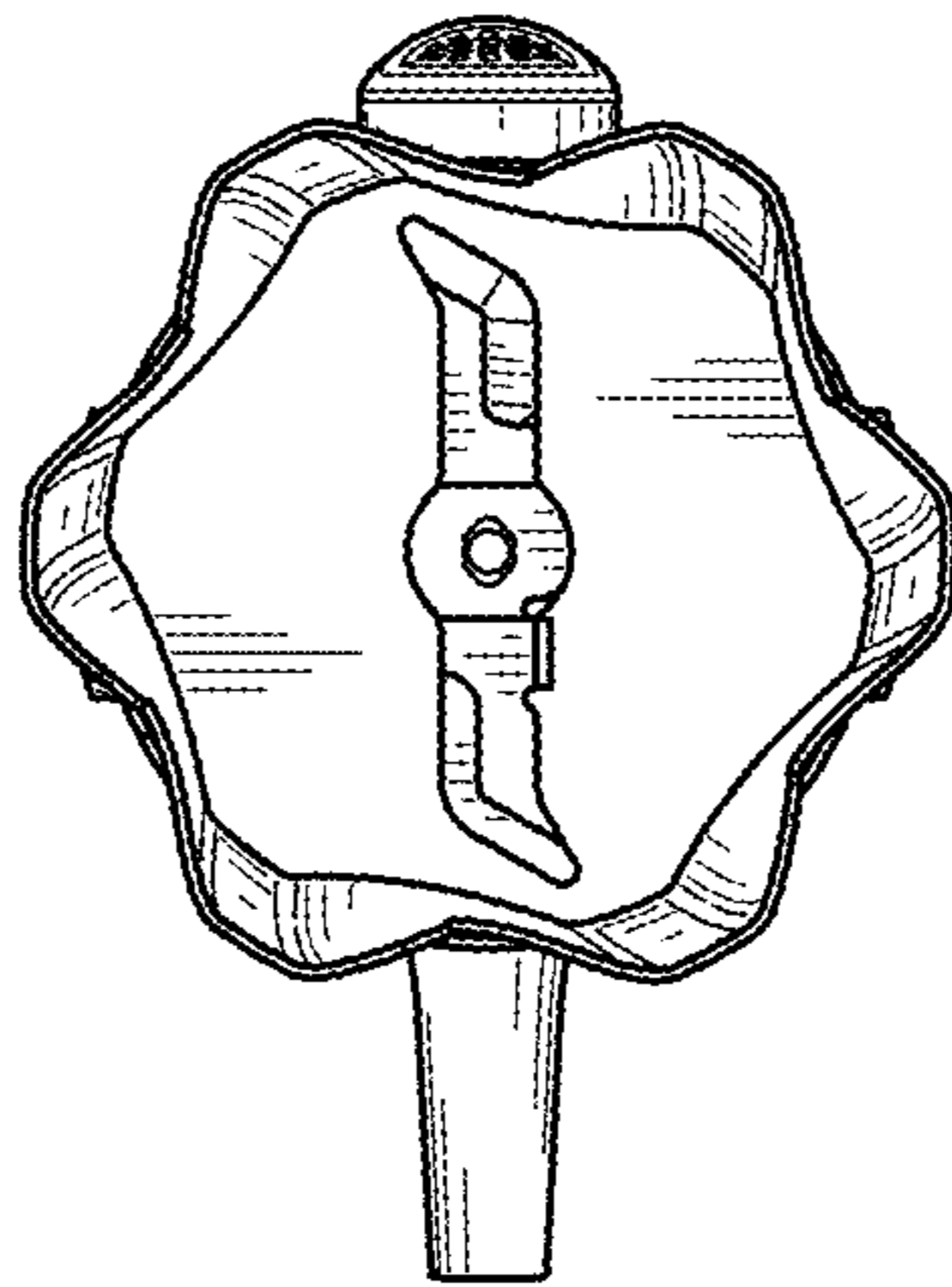


FIG. 7

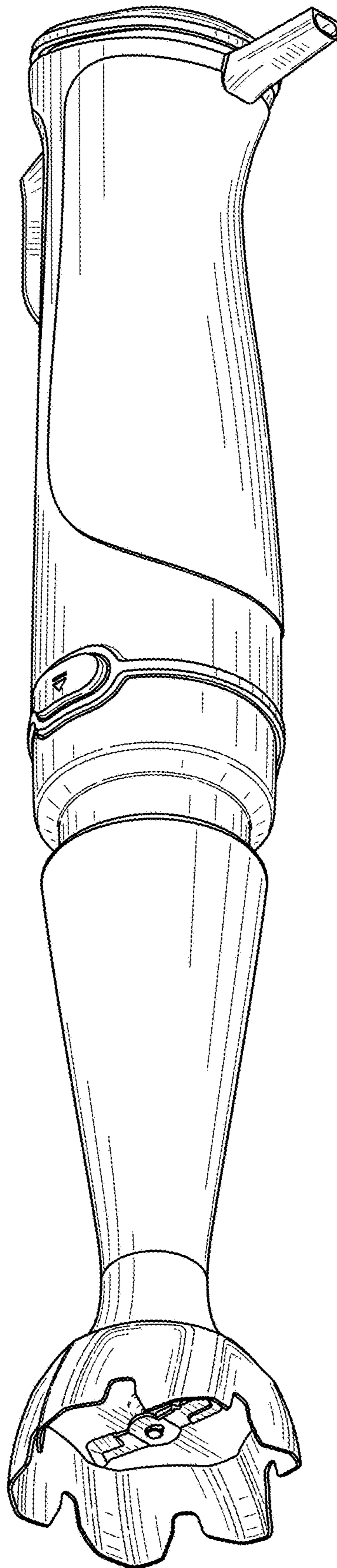


FIG. 8