



US00D808210S

(12) **United States Design Patent**
Jetton et al.

(10) **Patent No.:** **US D808,210 S**
(45) **Date of Patent:** **** Jan. 23, 2018**

- (54) **DEVICE FOR PREPARATION OF GELATIN-BASED PRODUCTS**
- (71) Applicant: **FOOD & BEVERAGE INNOVATIONS, LLC**, Lake Oswego, OR (US)
- (72) Inventors: **Jeffrey R. Jetton**, Lake Oswego, OR (US); **Tyler L. Williams**, Lake Oswego, OR (US); **Stan A. Levitsky**, Lake Oswego, OR (US)
- (73) Assignee: **Food & Beverage Innovations, LLC**, Portland, OR (US)
- (**) Term: **15 Years**
- (21) Appl. No.: **29/557,072**
- (22) Filed: **Mar. 4, 2016**
- (51) **LOC (11) Cl.** **31-00**
- (52) **U.S. Cl.**
USPC **D7/368**
- (58) **Field of Classification Search**
USPC D7/368, 369, 372-386, 354
CPC A23P 1/00; B65D 43/0212
See application file for complete search history.

D786,022 S * 5/2017 Ravenscraft, Jr. D7/605
 2012/0325717 A1 12/2012 Agababov
 2013/0340629 A1 12/2013 Jetton et al.

* cited by examiner

Primary Examiner — Terry A Wallace
 (74) *Attorney, Agent, or Firm* — McCoy Russell LLP

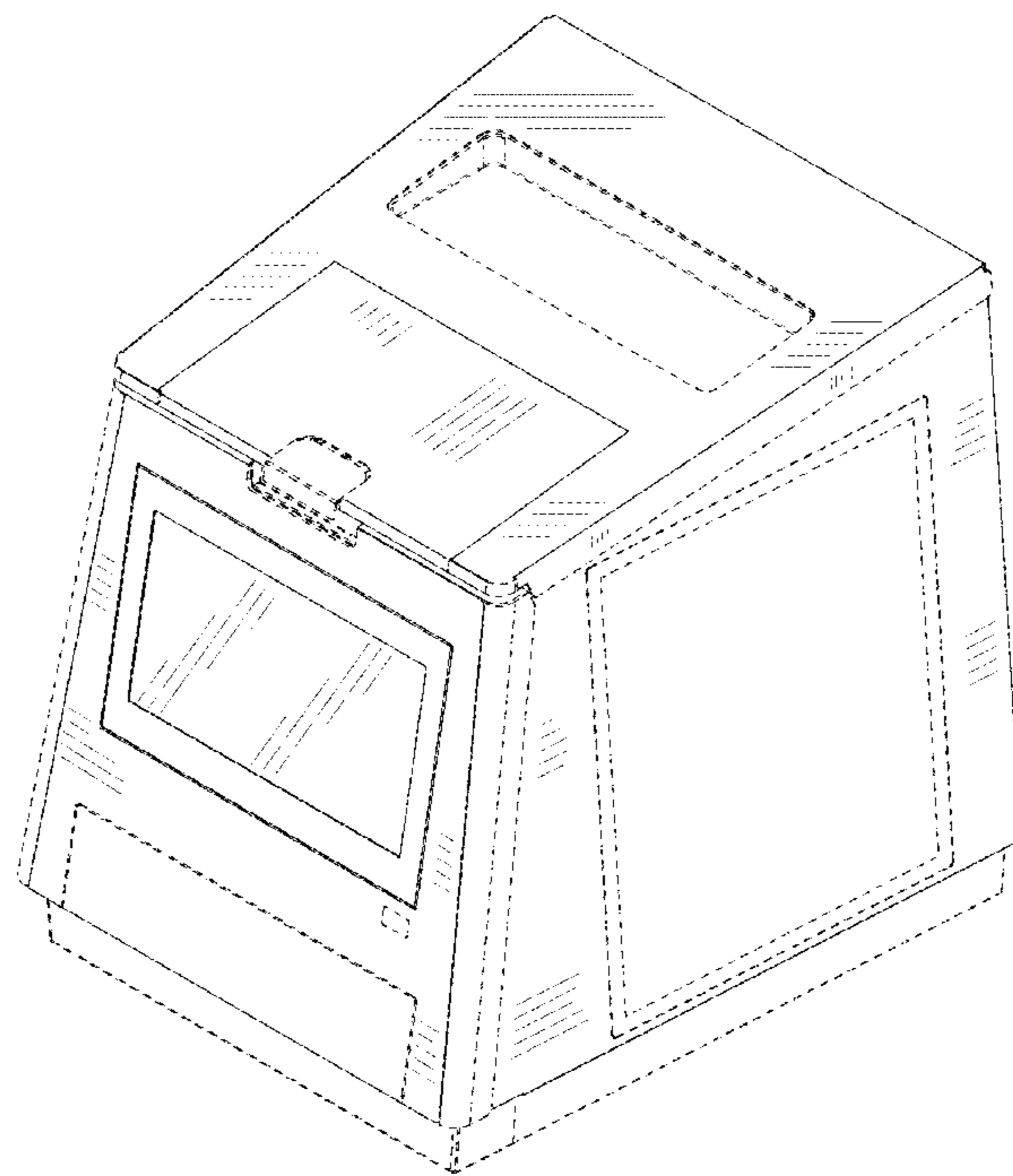
(57) **CLAIM**
 The ornamental design for a device for preparation of gelatin-based products, as shown and described.

DESCRIPTION

FIG. 1 is a front-right perspective view of a design for a device for preparation of gelatin-based products with a top front access panel in a closed position.
 FIG. 2 is a front view of the device for preparation of gelatin-based products of FIG. 1.
 FIG. 3 is a back view of the device for preparation of gelatin-based products of FIG. 1.
 FIG. 4 is a left side view of the device for preparation of gelatin-based products of FIG. 1.
 FIG. 5 is a right side view of the device for preparation of gelatin-based products of FIG. 1.
 FIG. 6 is a top view of the device for preparation of gelatin-based products of FIG. 1.
 FIG. 7 is a bottom view of the device for preparation of gelatin-based products of FIG. 1; and,
 FIG. 8 is a front-right perspective view of the device for preparation of gelatin-based products of FIG. 1 with the top front access panel in an open position.
 The solid lines in FIGS. 1-8 illustrate a device for preparation of gelatin-based products according to the present invention. The broken lines form no part of the claimed design.

- (56) **References Cited**
 U.S. PATENT DOCUMENTS
 D265,716 S * 8/1982 Necas D7/368
 8,256,091 B2 9/2012 Duescher
 D752,914 S 4/2016 Freissler et al.

1 Claim, 8 Drawing Sheets



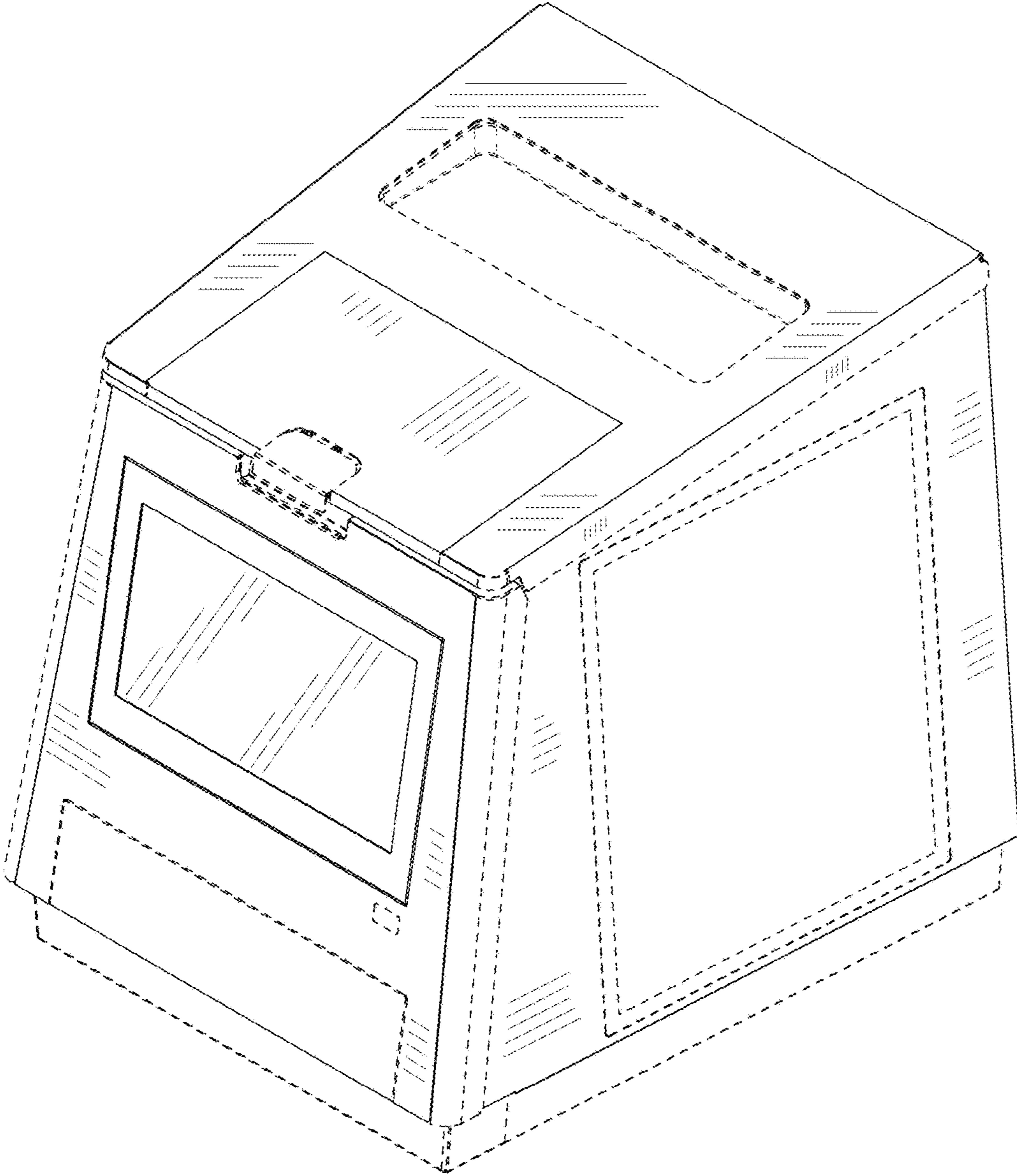


FIG. 1

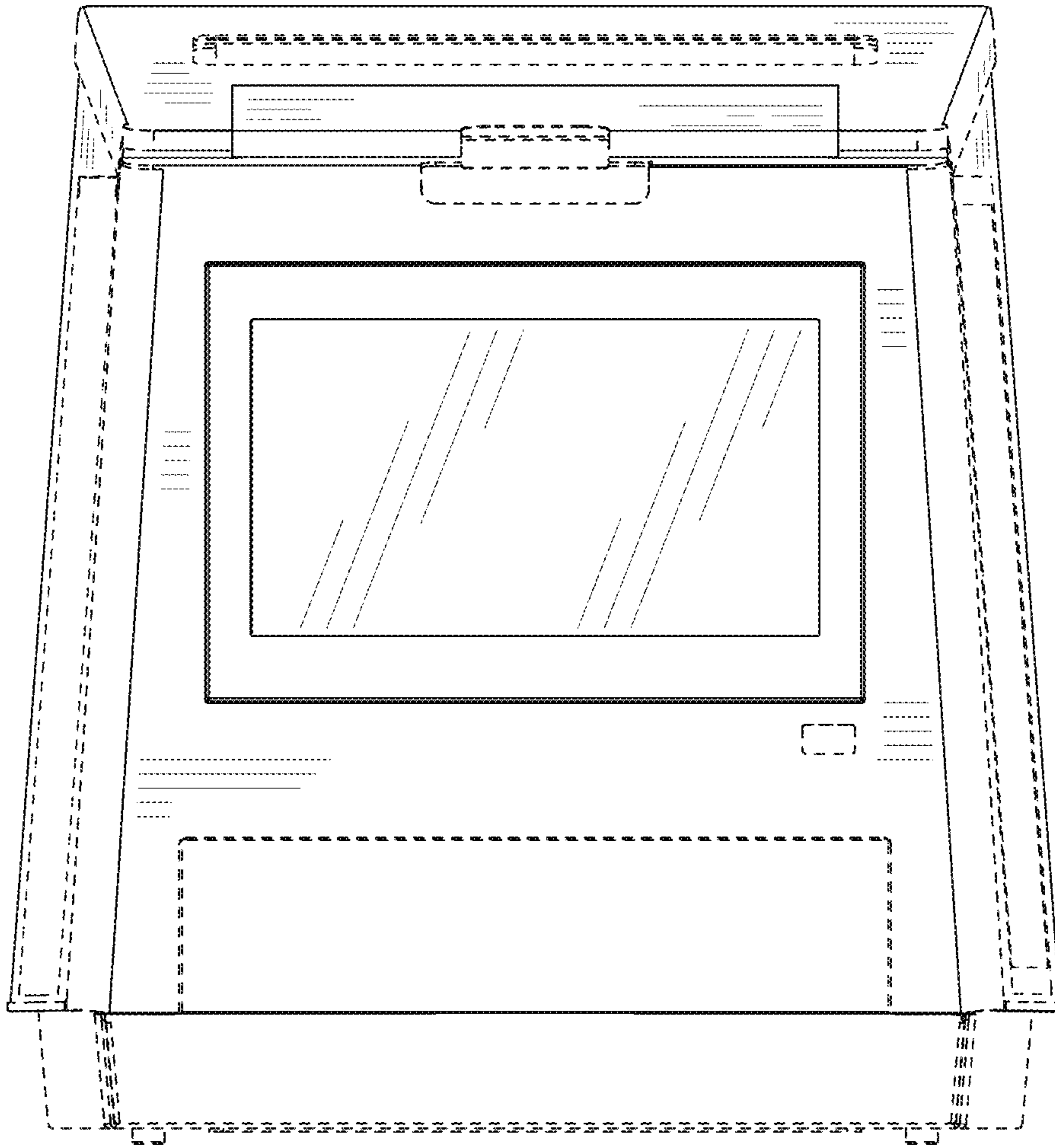


FIG. 2

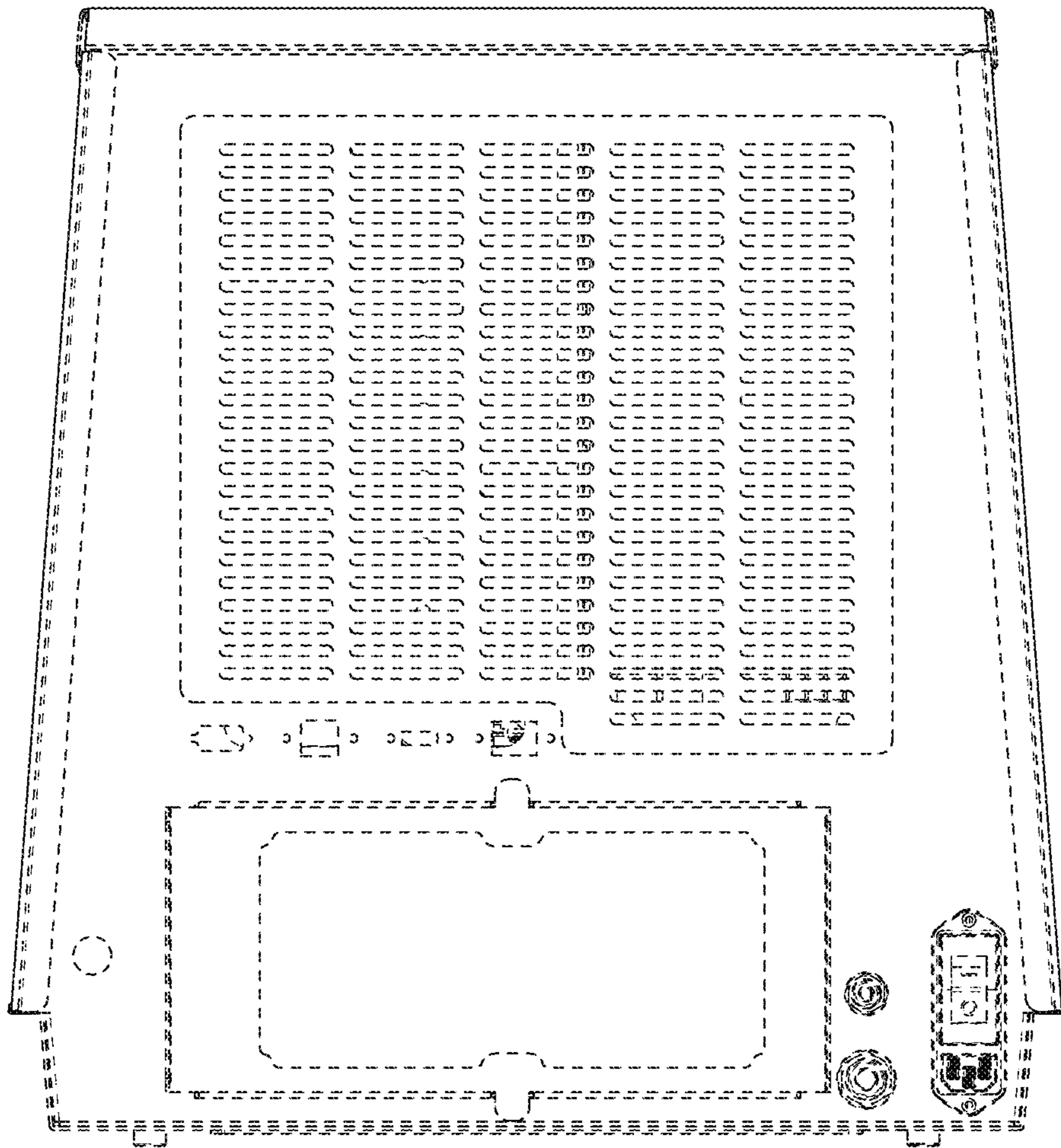


FIG. 3

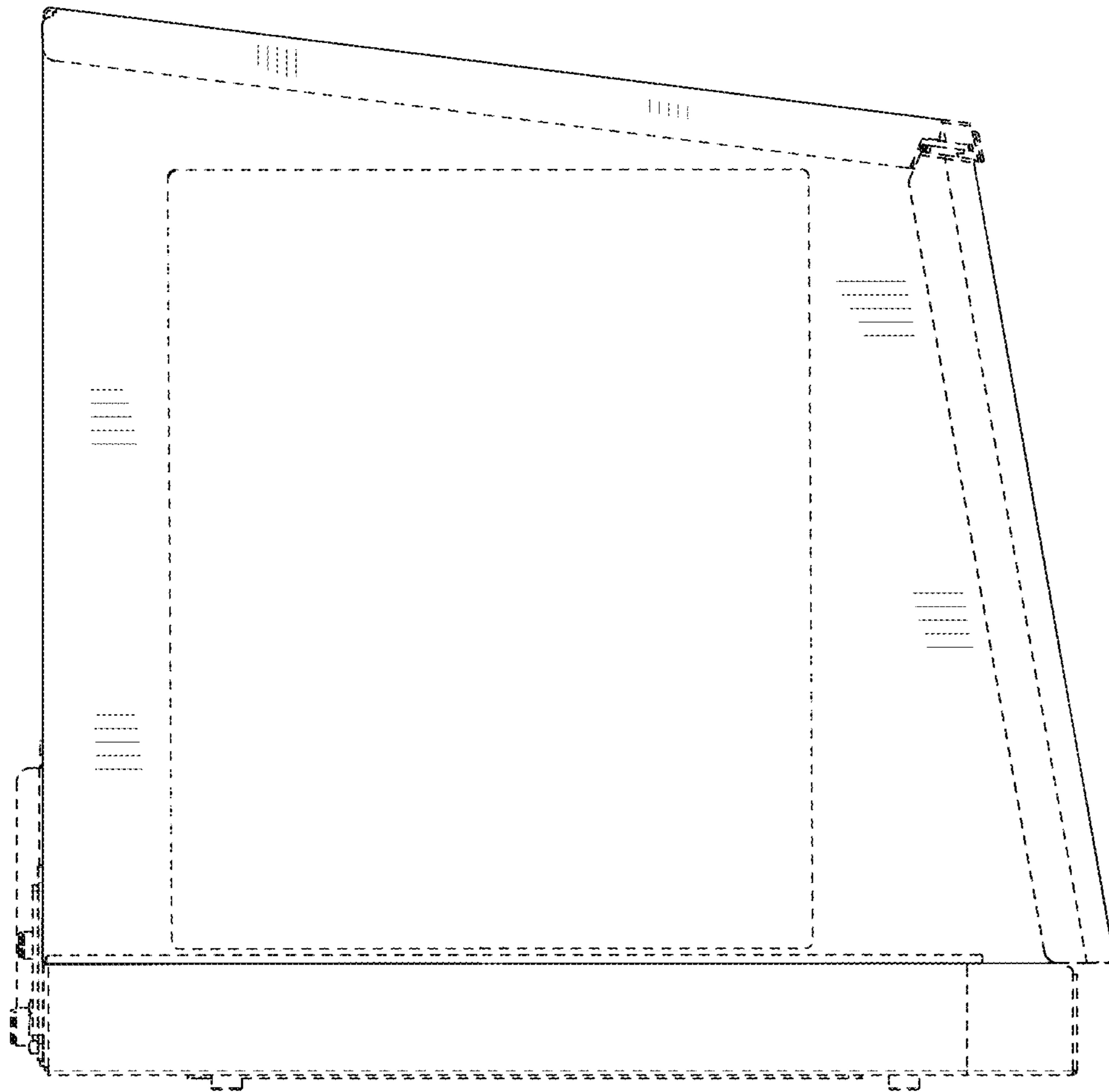


FIG. 4

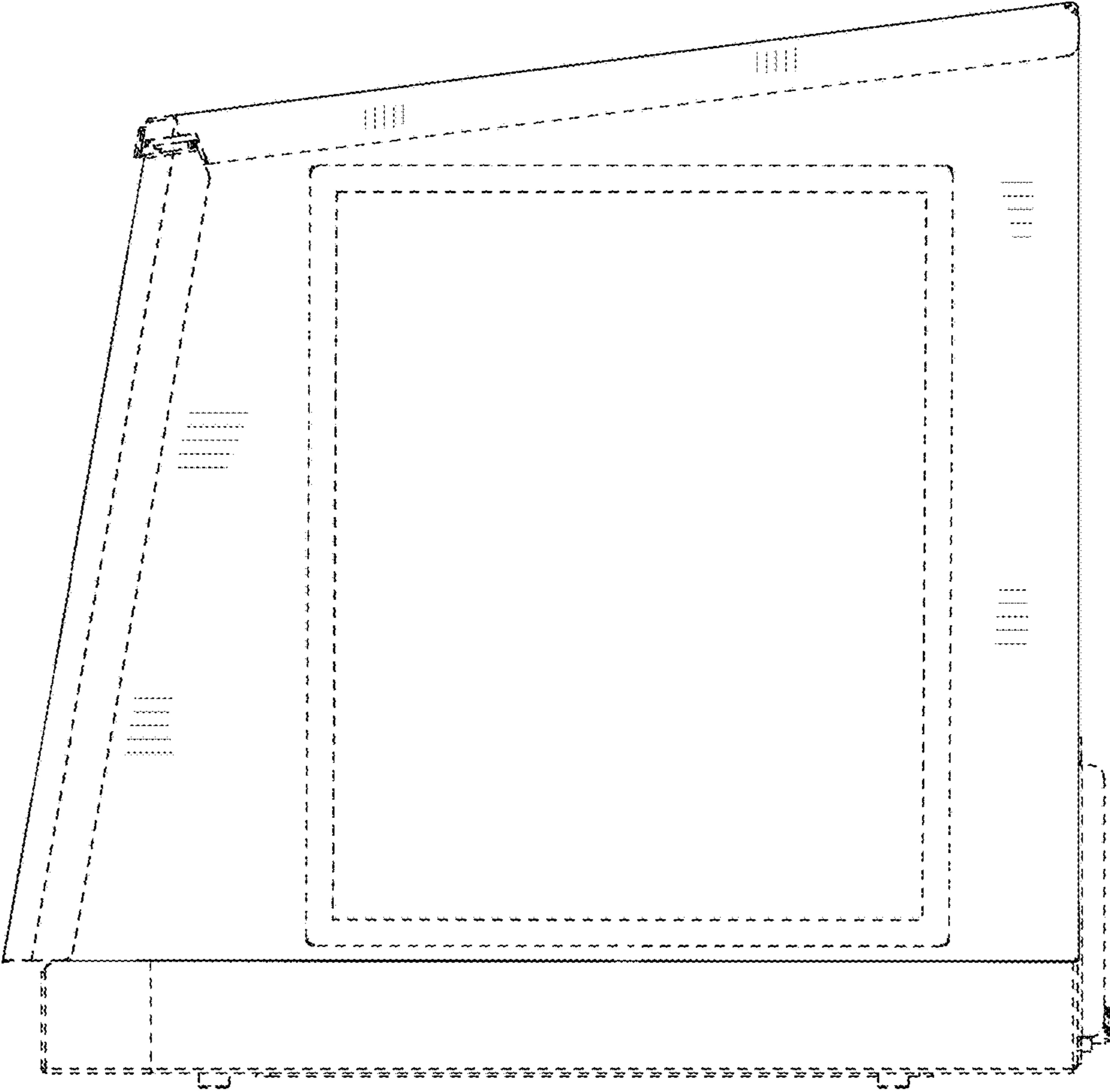


FIG. 5

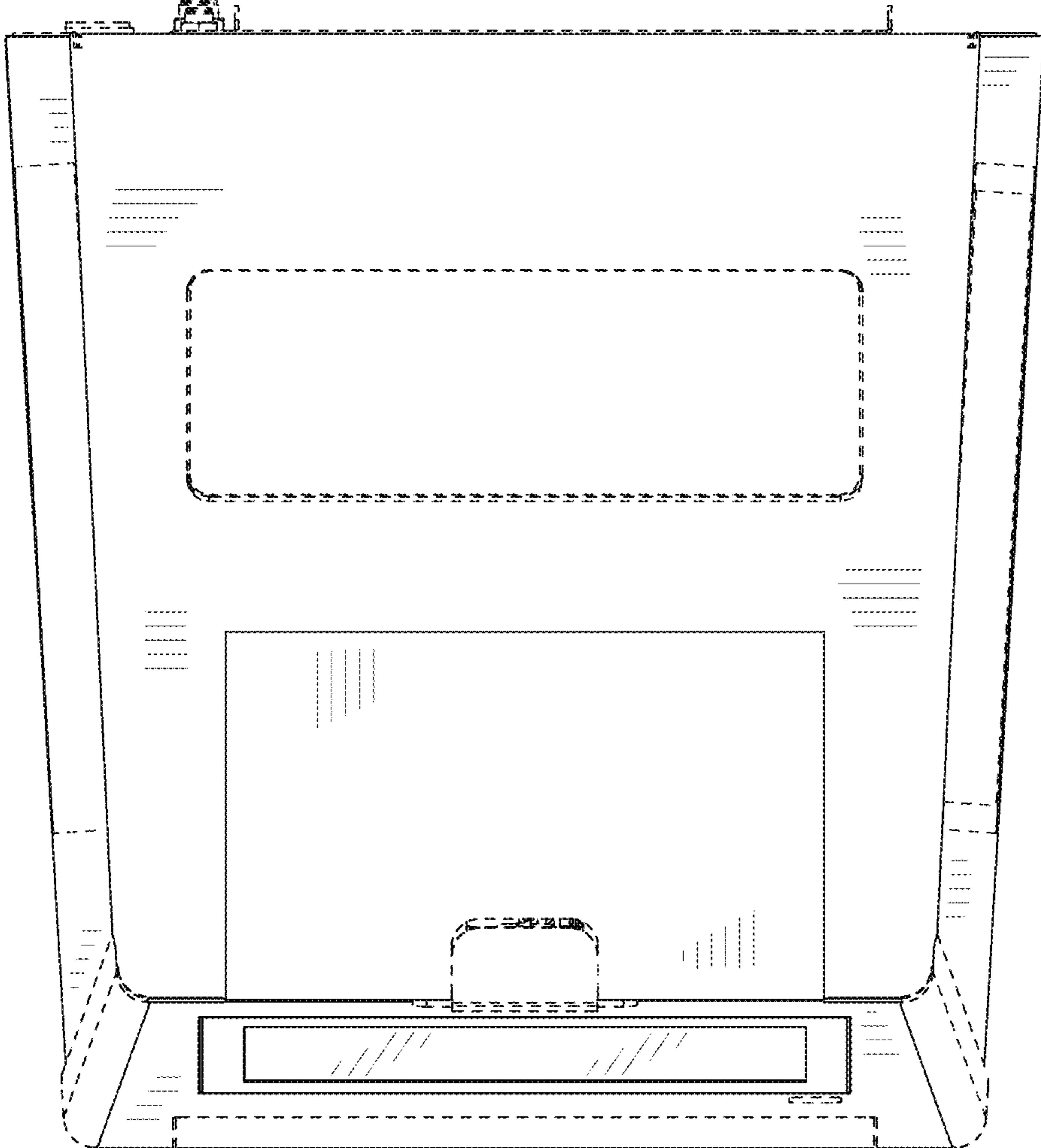


FIG. 6

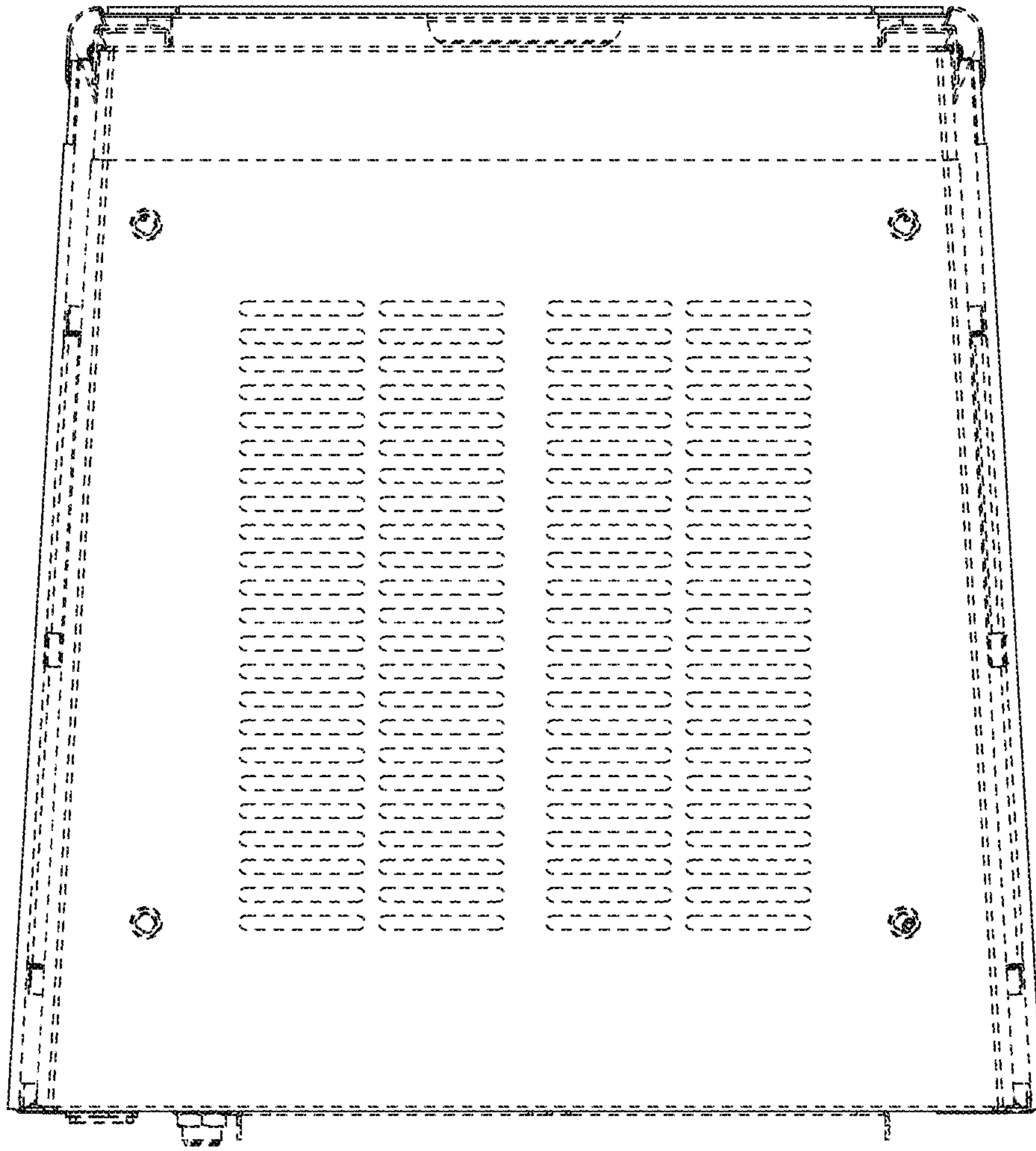


FIG. 7

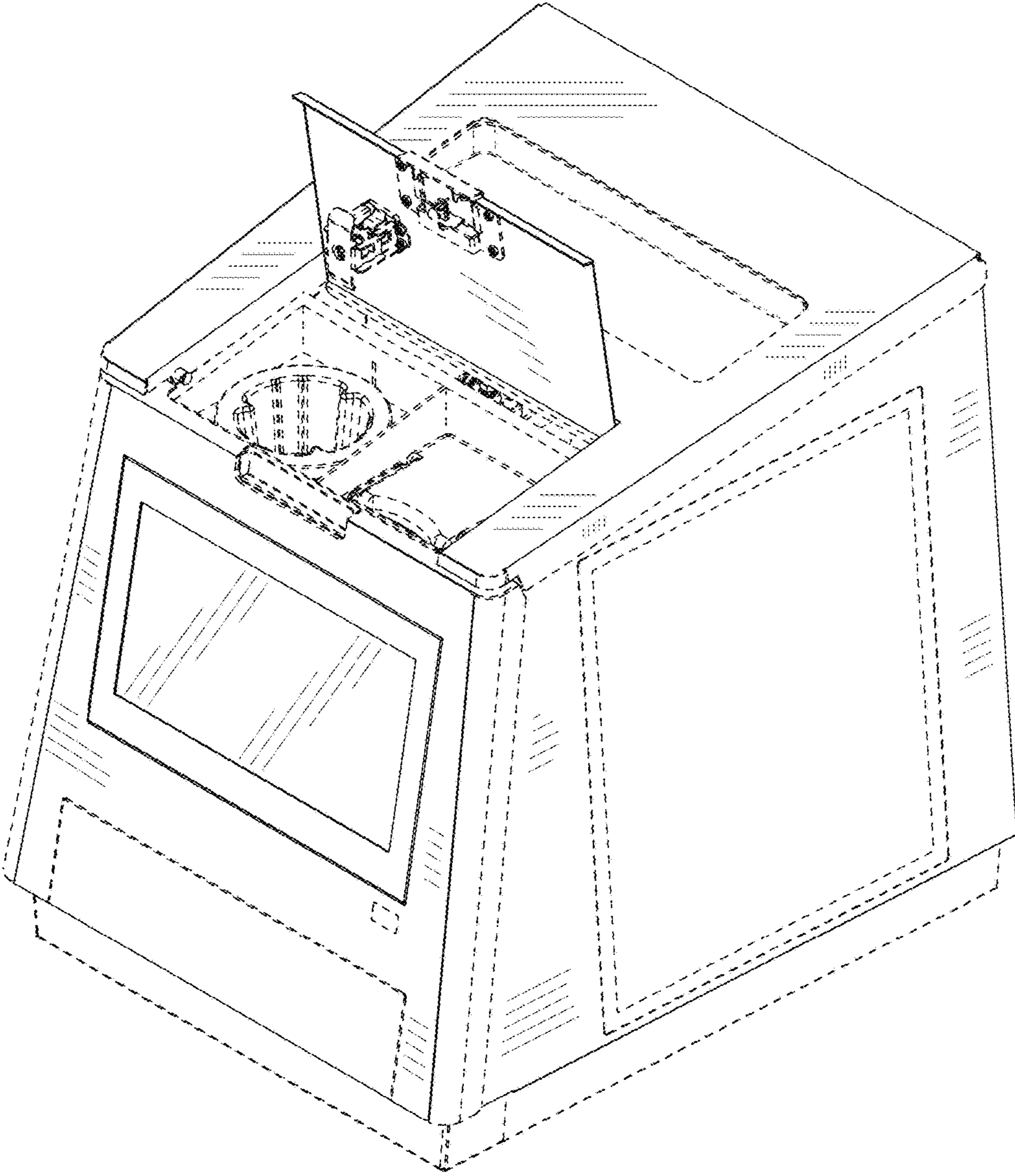


FIG. 8