



US00D808207S

(12) **United States Design Patent**  
**Beber et al.**

(10) **Patent No.:** **US D808,207 S**  
(45) **Date of Patent:** **\*\* Jan. 23, 2018**

(54) **KETTLE**  
(71) Applicant: **WHIRLPOOL CORPORATION**,  
Benton Harbor, MI (US)  
(72) Inventors: **Kevin J. Beber**, Granger, IN (US);  
**Nancy E. Chandrasekaran**, St. Joseph,  
MI (US); **John W. McConnell**, St.  
Joseph, MI (US); **Ben C. Shao**,  
Clarendon Hills, IL (US); **ZhaoYi Yin**,  
Benton Harbor, MI (US)

(73) Assignee: **Whirlpool Corporation**, Benton  
Harbor, MI (US)

(\*\*) Term: **15 Years**

(21) Appl. No.: **29/551,452**

(22) Filed: **Jan. 13, 2016**

(51) **LOC (11) Cl.** ..... **07-01**

(52) **U.S. Cl.**  
USPC ..... **D7/318**

(58) **Field of Classification Search**  
USPC ..... D7/213, 300, 310, 312-319, 387, 393,  
D7/396, 397, 398, 399, 400, 598  
CPC ..... A47G 19/14; A47G 19/145; A47J 27/21;  
A47J 27/21008; A47J 27/21041; B65D  
43/02

See application file for complete search history.

(56) **References Cited**

**U.S. PATENT DOCUMENTS**

3,218,435 A \* 11/1965 Mandziak ..... A47J 27/21166  
174/135  
D269,318 S 6/1983 Blanchard  
D269,585 S 7/1983 Phillips  
D272,884 S 3/1984 Seibel  
D282,810 S 3/1986 Urich  
D375,016 S \* 10/1996 Ullmann ..... D7/318  
D390,743 S 2/1998 Saltet

D399,090 S 10/1998 Green  
D411,404 S 6/1999 Littmann  
D444,988 S 7/2001 Conran  
D448,963 S 10/2001 Shim  
D449,760 S \* 10/2001 Yeh ..... D7/317  
D454,025 S \* 3/2002 Kopczewski ..... D7/316  
6,561,390 B2 5/2003 Boyte et al.  
D478,767 S 8/2003 Lebowitz  
D490,641 S 6/2004 Lebowitz

(Continued)

**OTHER PUBLICATIONS**

Amazon, Breville BTM800XL One-Touch Tea Maker, first avail-  
able May 18, 2010, [online], [site visited on Jun. 1, 2017]. Available  
from Internet, <URL: [https://www.amazon.com/Breville-  
BTM800XL-One-Touch-Tea-Maker/dp/B003LNOPSG](https://www.amazon.com/Breville-BTM800XL-One-Touch-Tea-Maker/dp/B003LNOPSG)>.\*

(Continued)

*Primary Examiner* — Sheryl Lane

*Assistant Examiner* — Samantha N Wood

(74) *Attorney, Agent, or Firm* — Price Heneveld LLP

(57) **CLAIM**

We claim the ornamental design for a kettle, as shown and  
described.

**DESCRIPTION**

FIG. 1 is a front perspective view of a kettle of the present  
disclosure;

FIG. 2 is a rear perspective view of the kettle of FIG. 1;

FIG. 3 is a front elevational view of the kettle of FIG. 1;

FIG. 4 is a rear elevational view of the kettle of FIG. 1;

FIG. 5 is a first side elevational view of the kettle of FIG. 1;

FIG. 6 is a second side elevational view of the kettle of FIG.

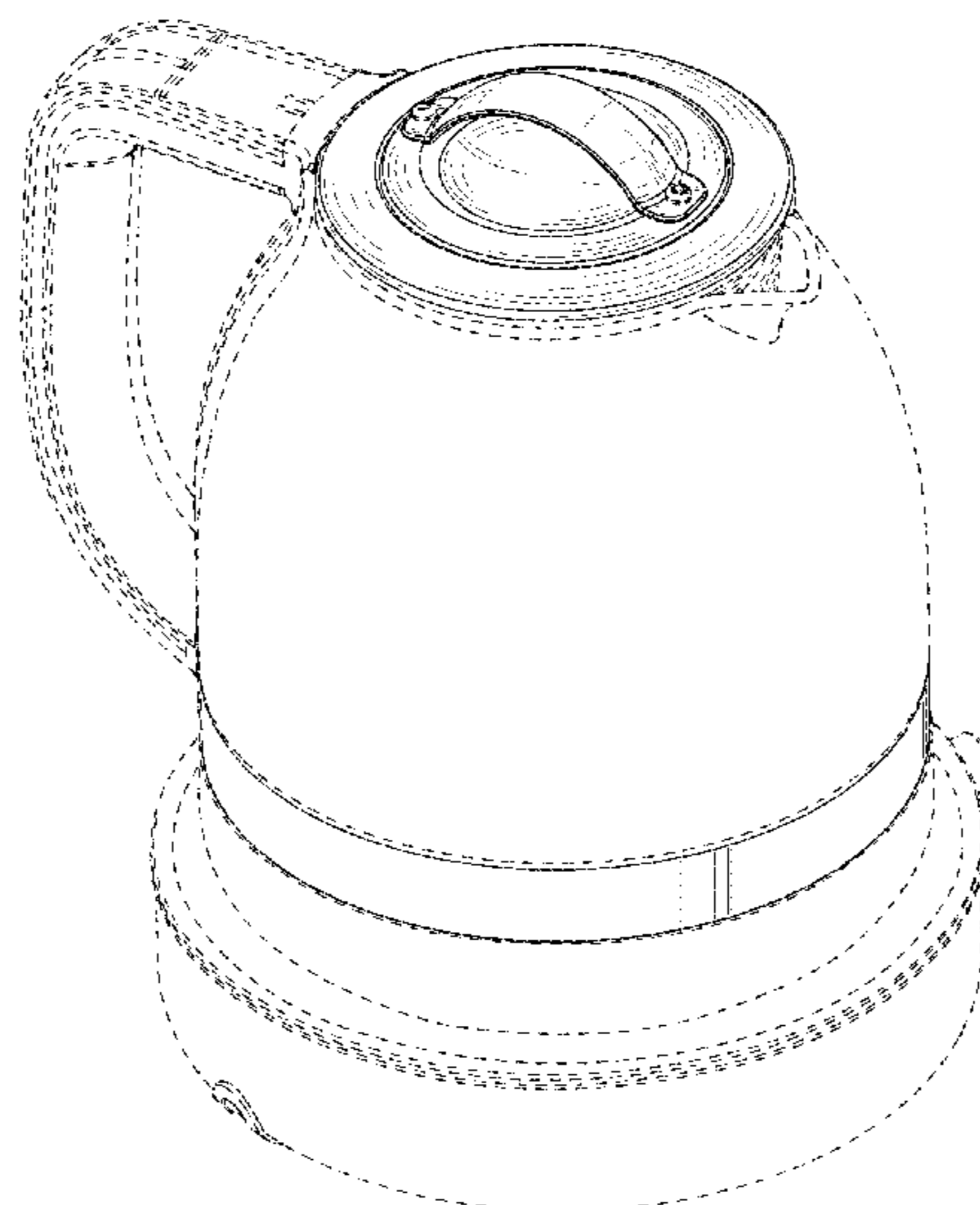
1.

FIG. 7 is a top plan view of the kettle of FIG. 1; and,

FIG. 8 is a bottom plan view of the kettle of FIG. 1.

The broken lines depict portions of the article that form no  
part of the claimed design.

**1 Claim, 8 Drawing Sheets**



(56)

References Cited

U.S. PATENT DOCUMENTS

D497,511 S 10/2004 Lebowitz  
 D498,384 S 11/2004 McWilliam  
 D501,355 S \* 2/2005 Graves ..... D7/321  
 D502,838 S 3/2005 Ancona  
 7,004,360 B2 2/2006 Lebowitz  
 D527,940 S 9/2006 Cohen  
 D541,100 S \* 4/2007 Lebowitz ..... D7/321  
 D554,425 S 11/2007 Schwamkrug  
 D573,394 S 7/2008 Tullney et al.  
 D574,657 S 8/2008 Lebowitz  
 D574,658 S 8/2008 Grund et al.  
 D574,659 S 8/2008 Lebowitz  
 D574,660 S \* 8/2008 Grund ..... D7/321  
 D577,944 S \* 10/2008 Spiegel ..... D7/309  
 D581,718 S 12/2008 Verdun  
 D598,235 S \* 8/2009 Cozolino ..... D7/317  
 D602,304 S 10/2009 Elissen  
 D620,303 S 7/2010 Mondragon et al.  
 D626,780 S 11/2010 Gatto  
 D630,882 S 1/2011 Cohen  
 D638,248 S 5/2011 Lebowitz et al.  
 D642,005 S 7/2011 Geissler et al.  
 D643,241 S 8/2011 McCormick et al.  
 D646,520 S 10/2011 Collinson  
 D646,522 S 10/2011 Collinson  
 D653,896 S 2/2012 Wilt  
 D655,124 S \* 3/2012 Schenk ..... D7/307  
 D663,163 S 7/2012 Dick et al.  
 D663,567 S 7/2012 Littmann et al.  
 D668,095 S \* 10/2012 Green ..... D7/317  
 8,405,004 B2 3/2013 Li  
 D680,792 S 4/2013 Bodum  
 D682,601 S \* 5/2013 Grasselli ..... D7/318  
 D683,997 S 6/2013 Sehdev

D683,998 S \* 6/2013 Sehdev ..... D7/321  
 D686,864 S 7/2013 Poul et al.  
 D688,506 S \* 8/2013 Steiner ..... D7/317  
 D691,417 S 10/2013 Dichraff et al.  
 D703,479 S 4/2014 Norland et al.  
 D713,669 S \* 9/2014 Norland ..... D7/321  
 D714,581 S 10/2014 Shao  
 D714,582 S \* 10/2014 Norland ..... D7/321  
 D714,586 S \* 10/2014 Grasselli ..... D7/319  
 D720,176 S \* 12/2014 Norland ..... D7/321  
 D726,486 S \* 4/2015 Averty ..... D7/312  
 D727,675 S \* 4/2015 Garvey ..... D7/319  
 D747,130 S \* 1/2016 Kunz ..... D7/317  
 2008/0023463 A1 \* 1/2008 Labelle ..... A47J 27/21175  
 219/438  
 2008/0274246 A1 \* 11/2008 Glucksman ..... A47J 31/20  
 426/425  
 2009/0065534 A1 \* 3/2009 Lebowitz ..... A47J 27/21191  
 222/469  
 2014/0373735 A1 \* 12/2014 Bruinsma ..... A47J 31/44  
 99/453  
 2017/0049260 A1 \* 2/2017 Beber ..... A47J 31/20

OTHER PUBLICATIONS

Inspired2Cook, My New Tea Kettle, posted on Oct. 31, 2008, [online], [site visited on Jun. 1, 2017]. Available from Internet, <URL: <http://www.inspired2cook.com/2008/10/31/my-new-tea-kettle/>>.\*  
 Amazon, Cuisinart PTK-330W PerfecTemp Tea kettle, first available Aug. 1, 2008, [online], [site visited on Jun. 1, 2017]. Available from Internet, <URL: [https://www.amazon.com/Cuisinart-PTK-330W-PerfecTemp-Porcelain-Teakettle/dp/B001D1IH2S/ref=br\\_lf\\_m\\_wx3d3ar7qywe6po\\_ttl?\\_encoding=UTF8&s=kitchen](https://www.amazon.com/Cuisinart-PTK-330W-PerfecTemp-Porcelain-Teakettle/dp/B001D1IH2S/ref=br_lf_m_wx3d3ar7qywe6po_ttl?_encoding=UTF8&s=kitchen)>.\*

\* cited by examiner

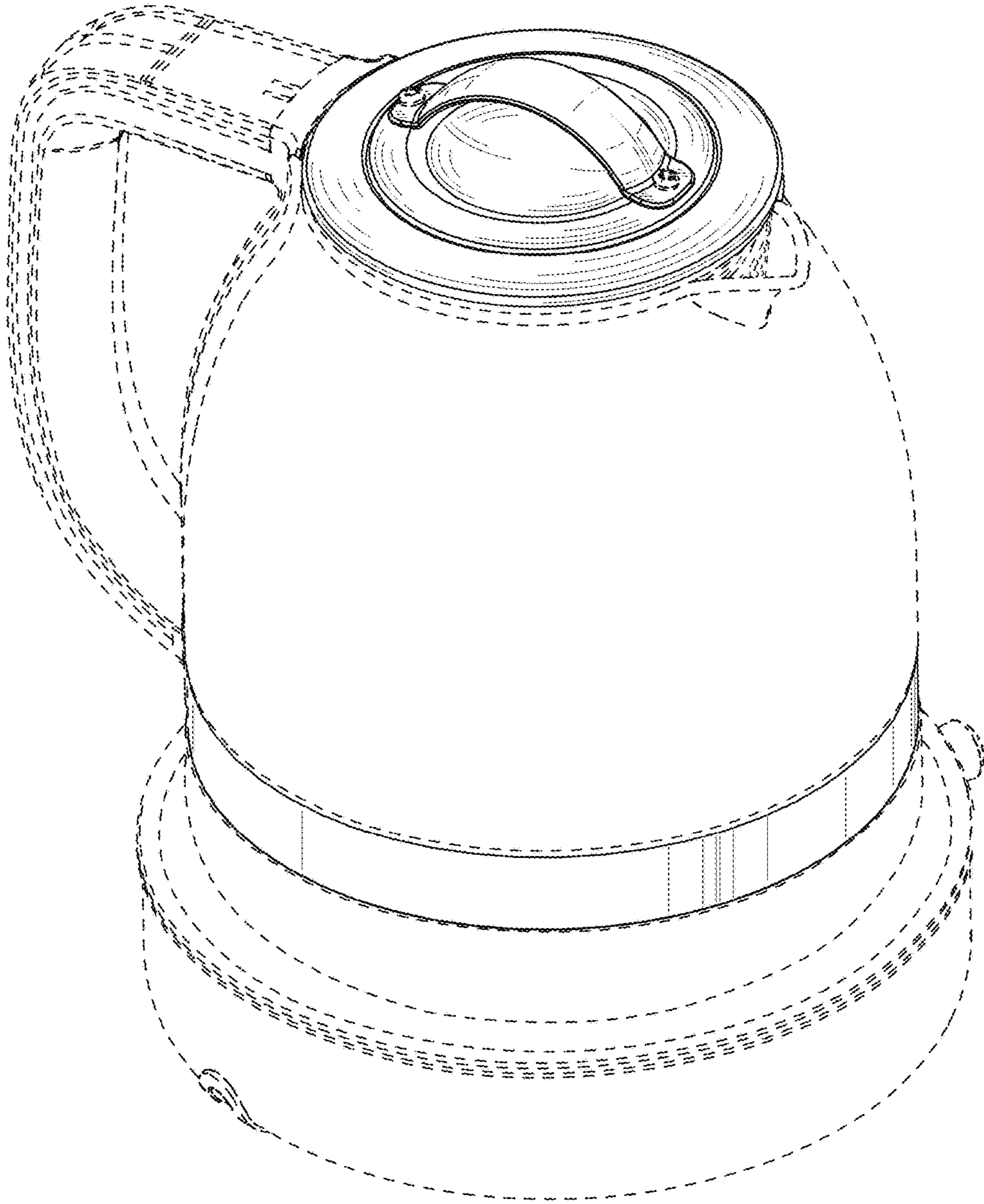


FIG. 1

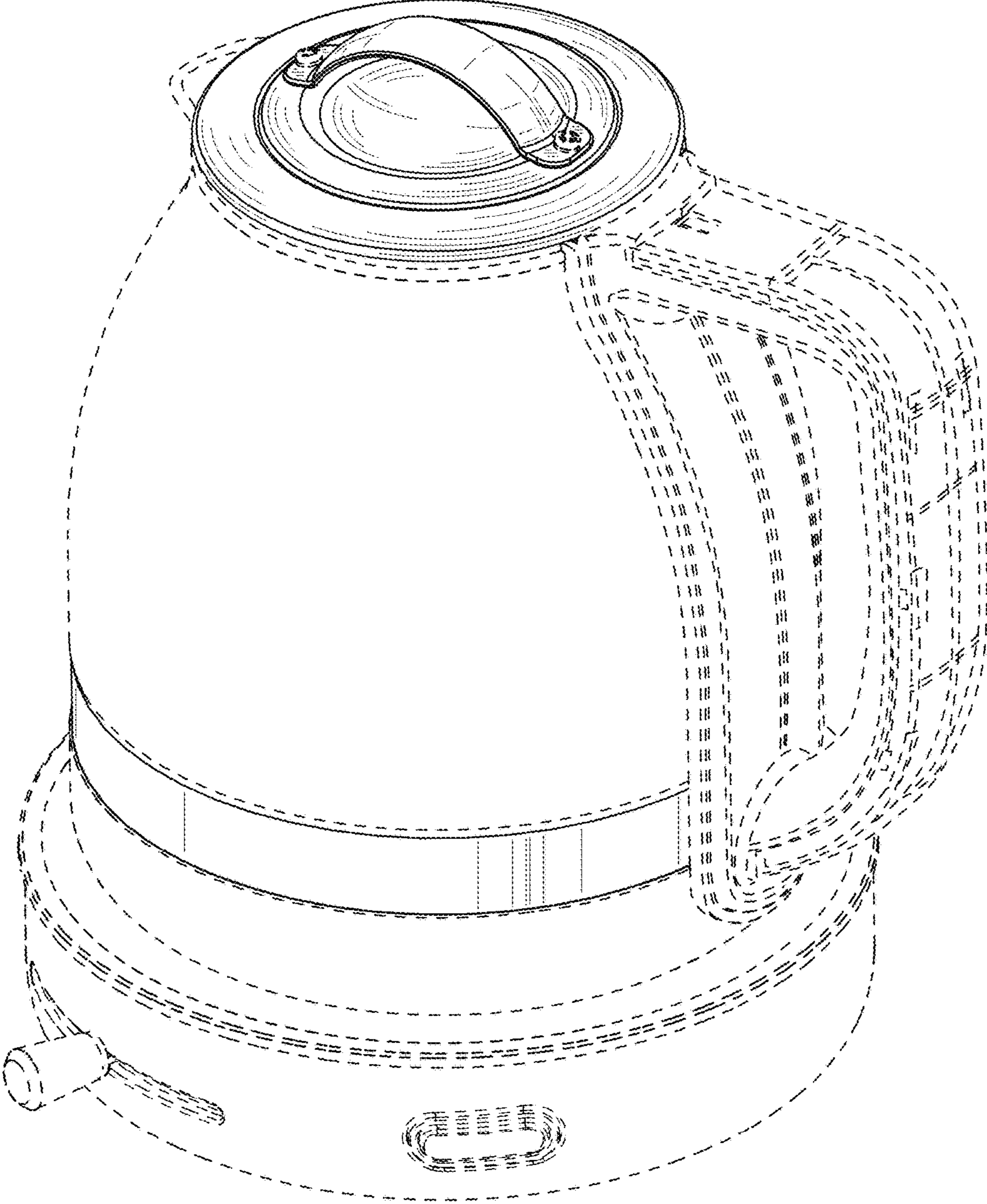


FIG. 2

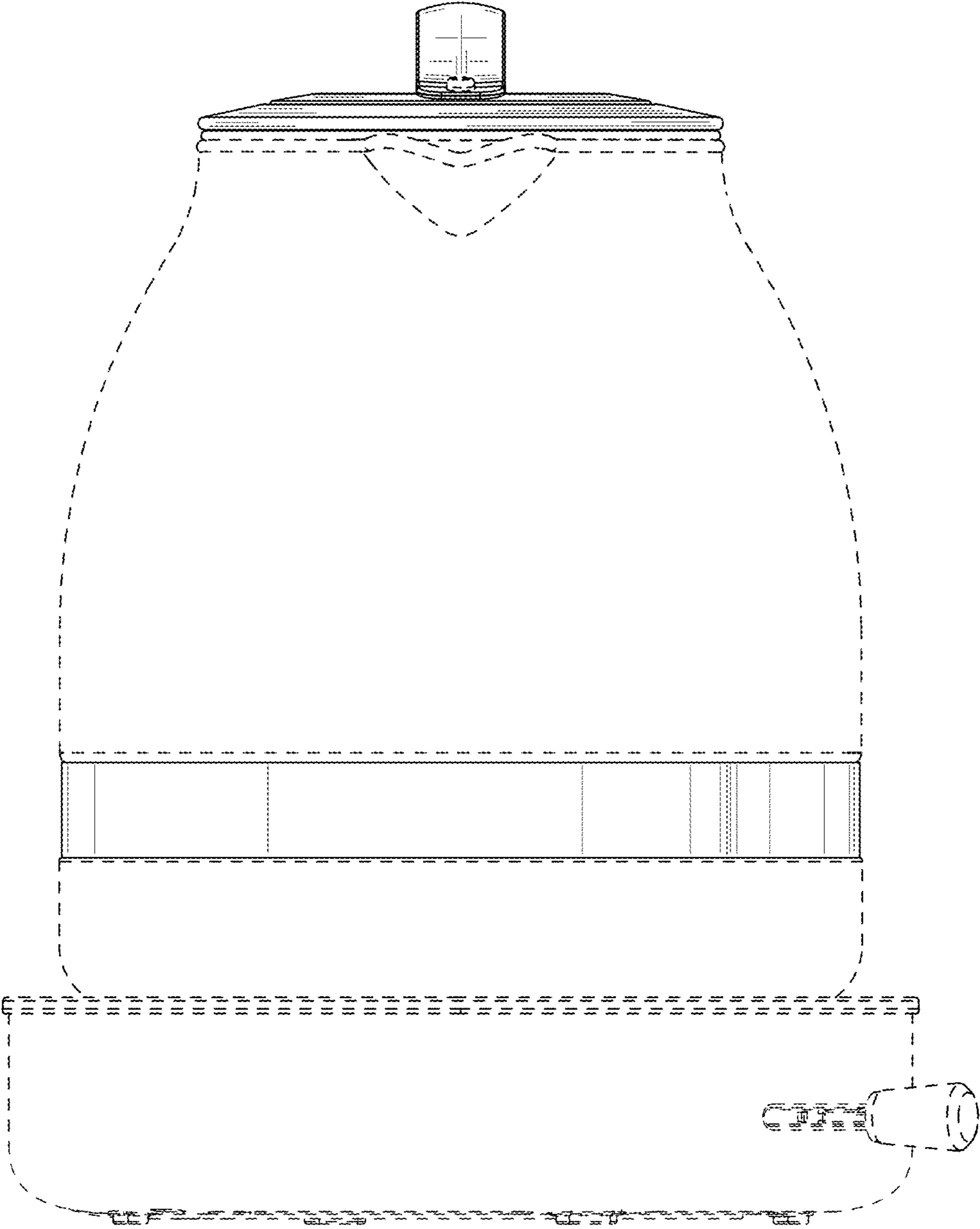
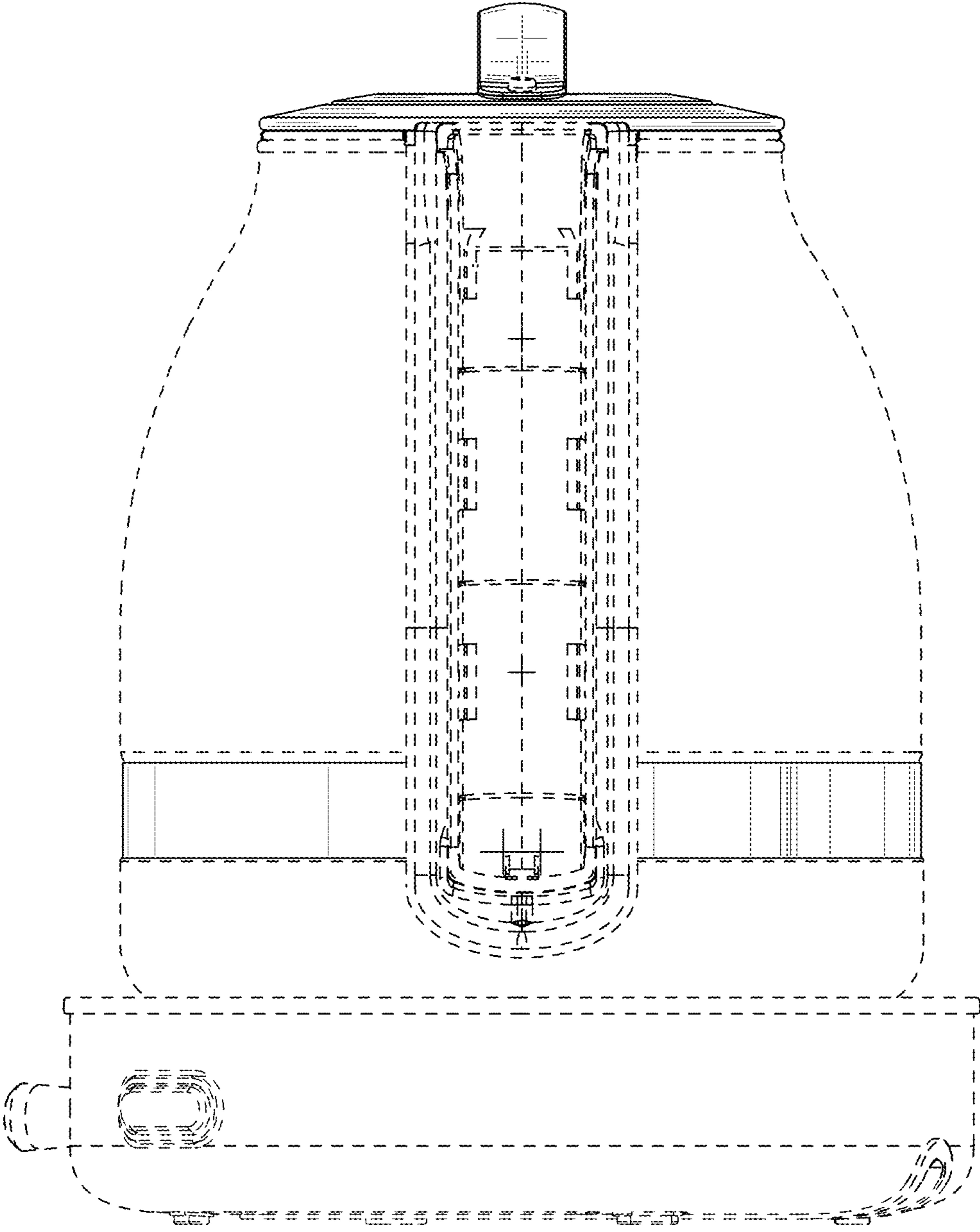


FIG. 3



**FIG. 4**

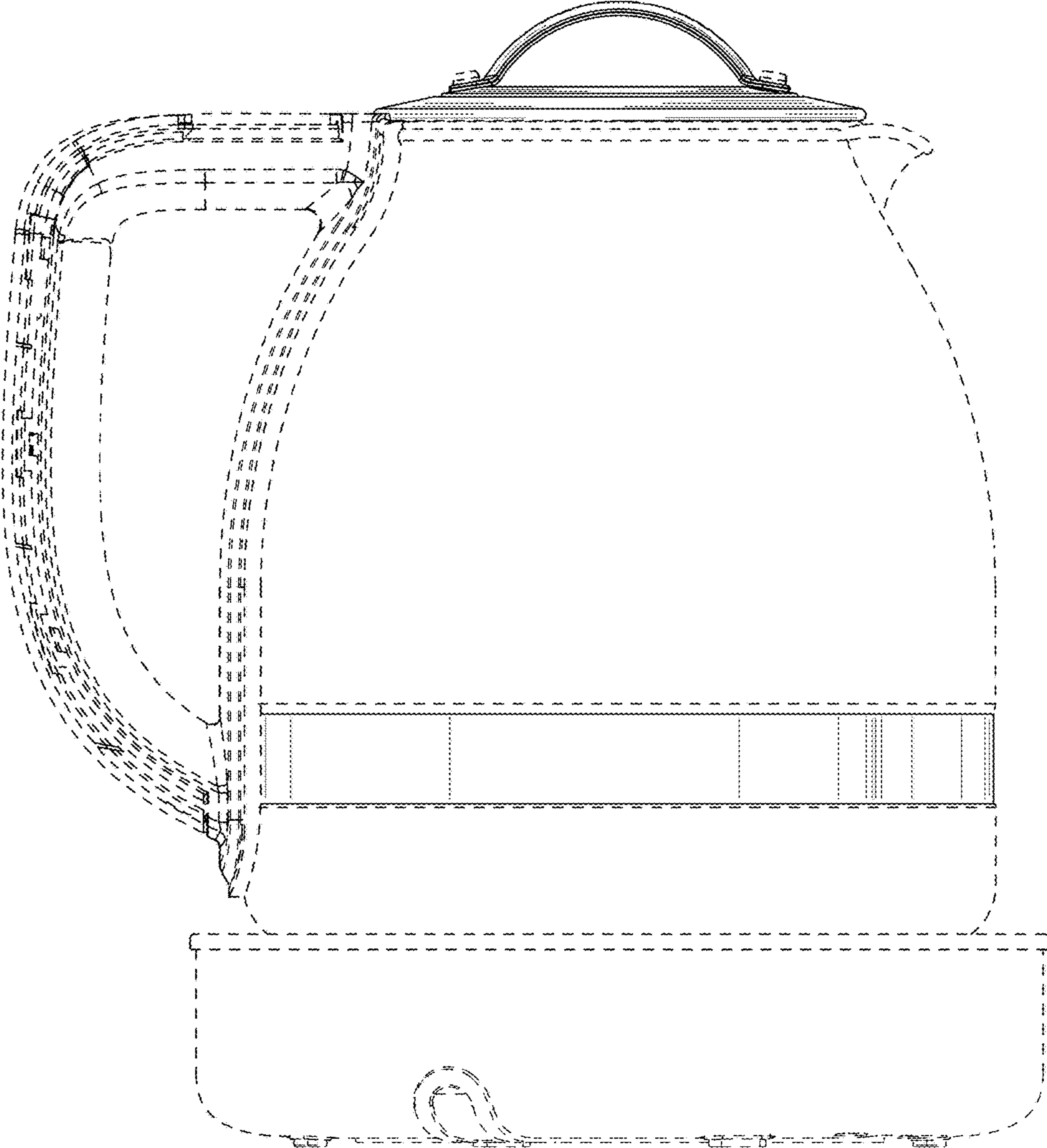


FIG. 5

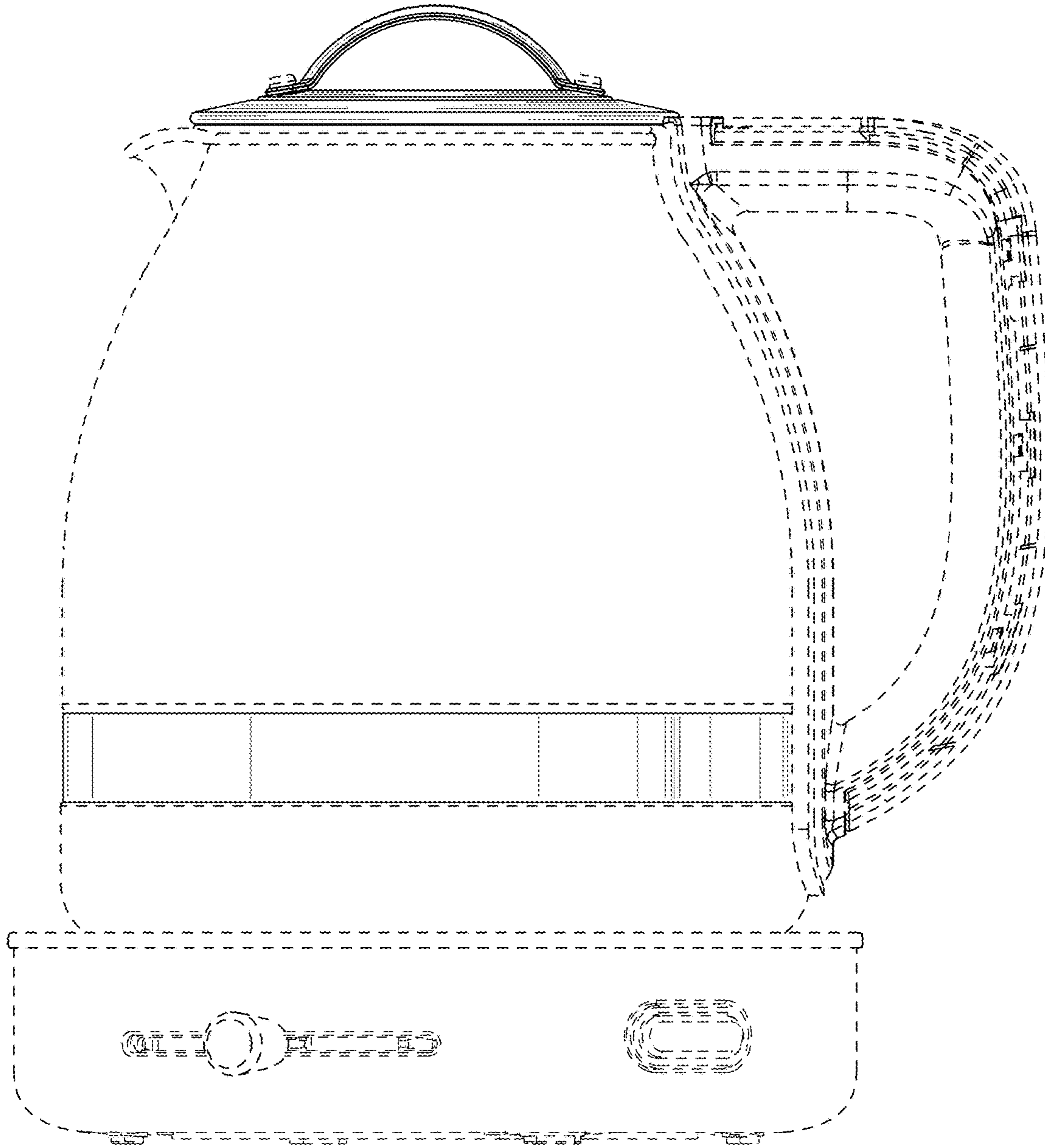


FIG. 6



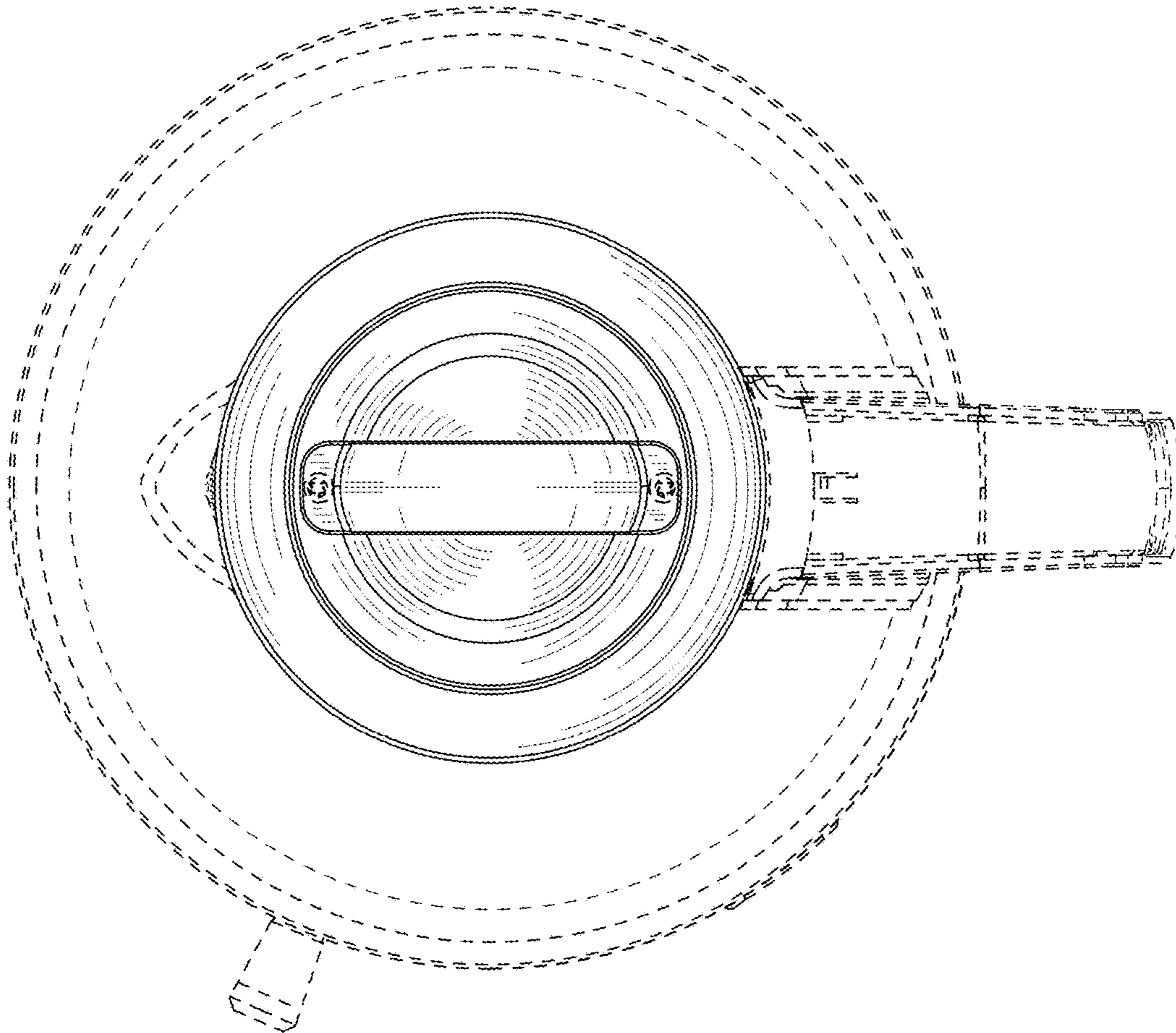


FIG. 7

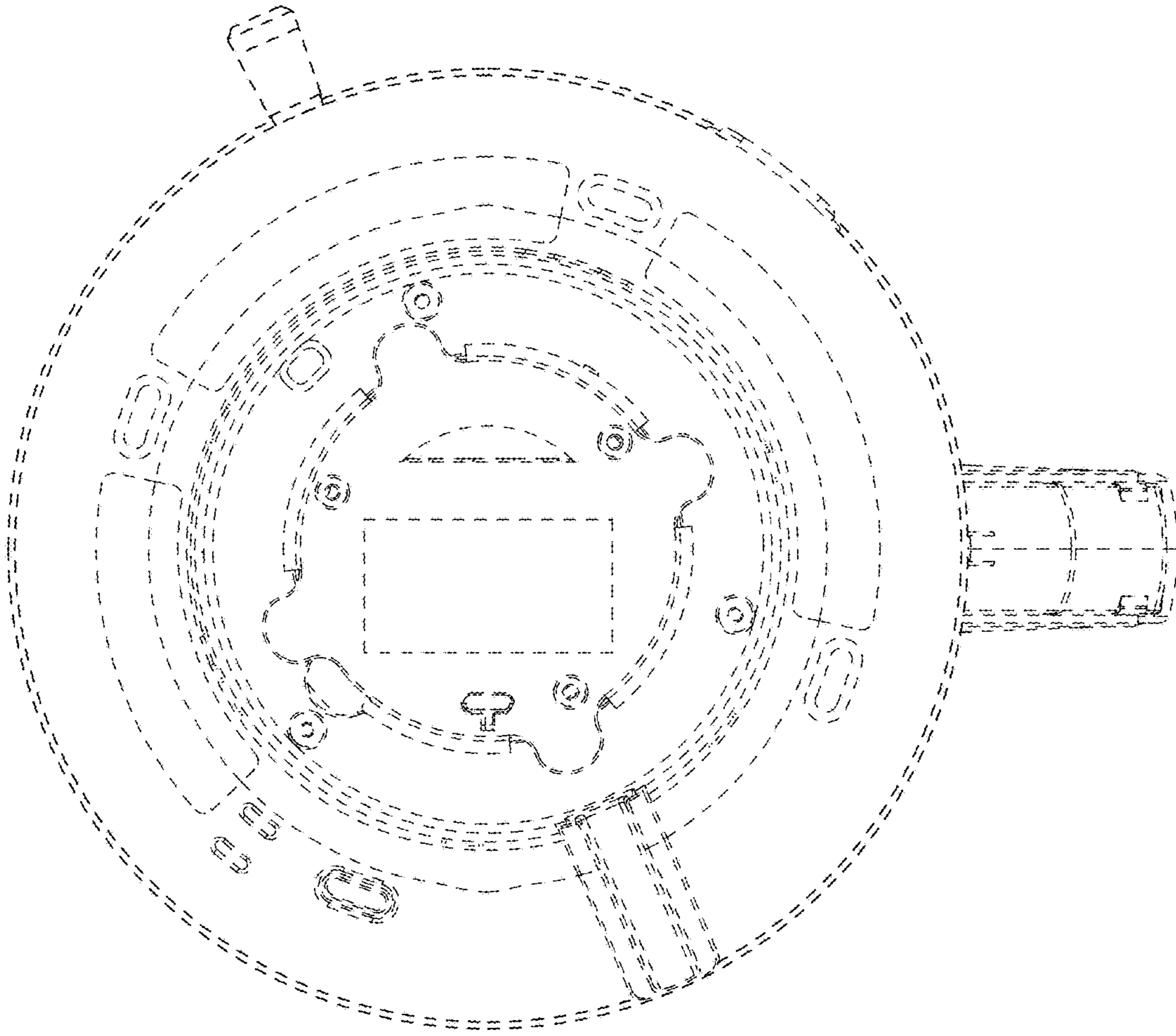


FIG. 8