



US00D808205S

(12) **United States Design Patent**
Cunningham

(10) **Patent No.:** **US D808,205 S**

(45) **Date of Patent:** **** Jan. 23, 2018**

(54) **PEDESTAL**

(71) Applicant: **Danby Products Limited**, Guelph (CA)

(72) Inventor: **Bryan Stuart Cunningham**, Kitchener (CA)

(73) Assignee: **DANBY PRODUCTS LIMITED**, Guelph (CA)

(**) Term: **15 Years**

(21) Appl. No.: **29/572,891**

(22) Filed: **Aug. 1, 2016**

(51) **LOC (11) Cl.** **06-06**

(52) **U.S. Cl.**
USPC **D6/705.1; D32/25**

(58) **Field of Classification Search**
USPC D6/632, 663, 671, 705; D3/297, 298;
D32/25
CPC A45C 5/04; A45C 11/16; A61J 1/00; A24F
15/00; A24F 15/005; A24F 15/02; A24F
15/08; A24F 15/20
See application file for complete search history.

(56) **References Cited**

U.S. PATENT DOCUMENTS

D350,042 S *	8/1994	Shepherd	D6/671
D372,378 S *	8/1996	Kruger	D6/663
D398,472 S *	9/1998	Worrell	D6/632
D415,418 S *	10/1999	You	D3/298
D439,777 S *	4/2001	Laughton	D6/663
D521,702 S *	5/2006	No	D32/25
D563,692 S *	3/2008	DeCarlo	D6/663
D583,172 S *	12/2008	Cassel	D3/297
D597,341 S *	8/2009	Stein	D3/297
D670,111 S *	11/2012	McNamara	D6/705

D704,909 S *	5/2014	Jeon	D32/25
D708,875 S *	7/2014	McNamara	D6/705
D784,637 S *	4/2017	Kim	D32/25
D785,326 S *	5/2017	Yamamoto	D3/297

OTHER PUBLICATIONS

Home Depot [online] found on Nov. 2, 2017 from URL <https://www.homedepot.com/p/Samsung-Laundry-Pedestal-with-Storage-Drawer-in-White-WE357A0W/203673110> (Year: 2017).*

* cited by examiner

Primary Examiner — Vy N Koenig

Assistant Examiner — Keith J Wilson

(74) *Attorney, Agent, or Firm* — Ralph E. Jocke; Walker & Jocke

(57) **CLAIM**

The ornamental design for a pedestal, as shown and described.

DESCRIPTION

FIG. 1 is a front top right perspective view showing my new design for a pedestal.

FIG. 2 is a front top left perspective view thereof.

FIG. 3 is a front view thereof.

FIG. 4 is a back view thereof.

FIG. 5 is a right side view thereof.

FIG. 6 is a left side view thereof.

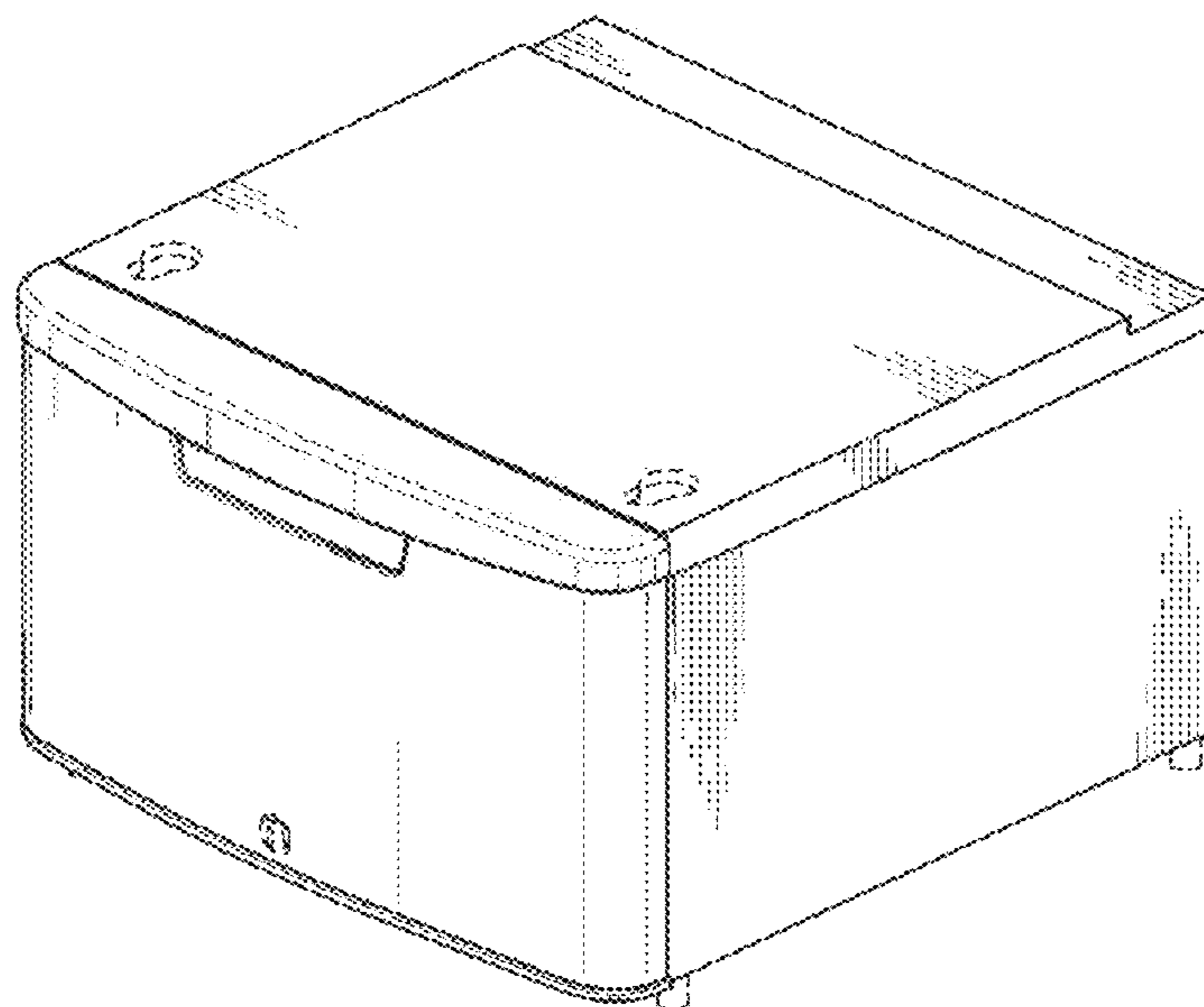
FIG. 7 is a top view thereof.

FIG. 8 is a bottom view thereof; and,

FIG. 9 is a front top right perspective view of the pedestal with the drawer portion extended.

The broken lines in the drawings depict portions of the pedestal that form no part of the claimed design.

1 Claim, 5 Drawing Sheets



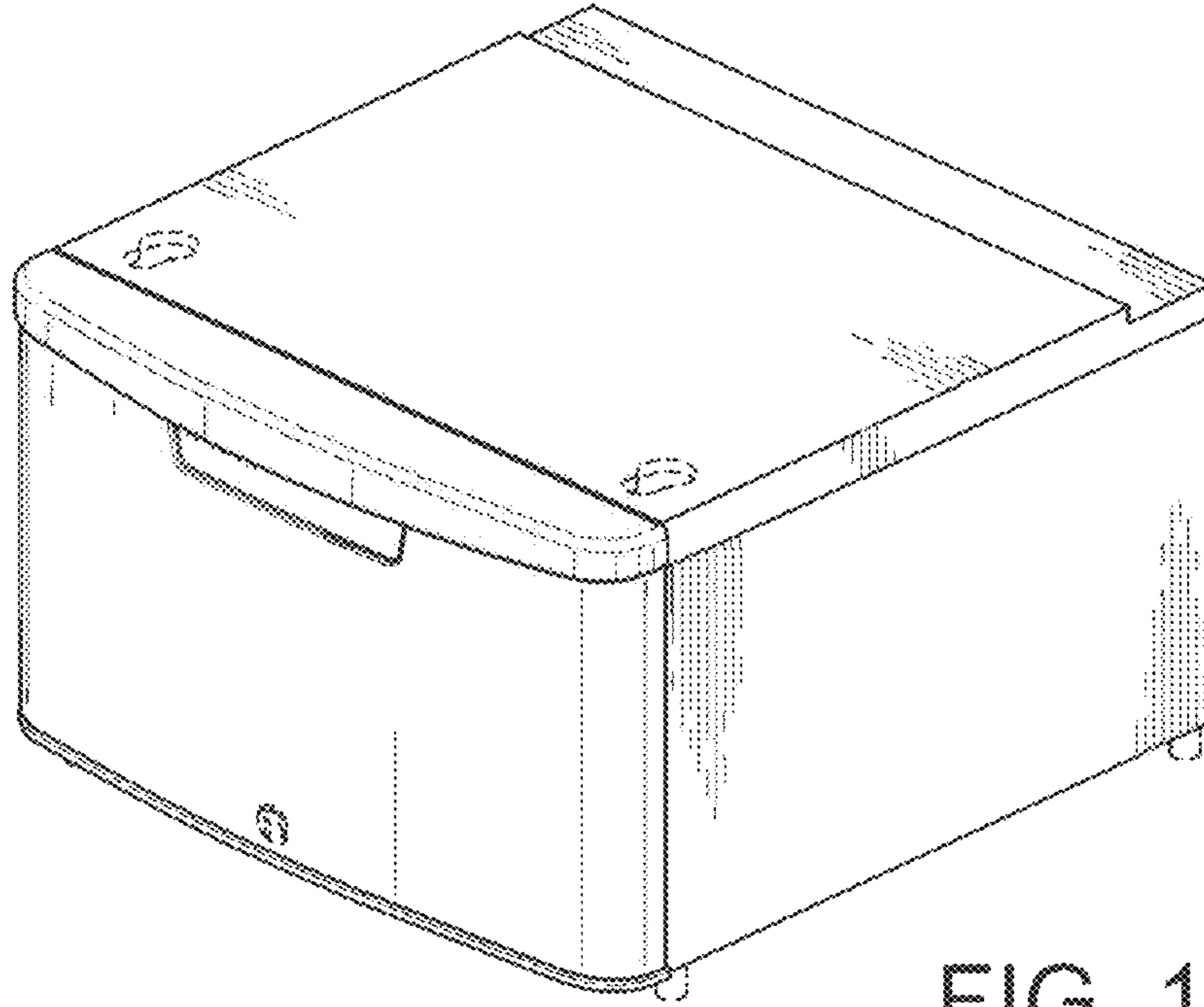


FIG. 1

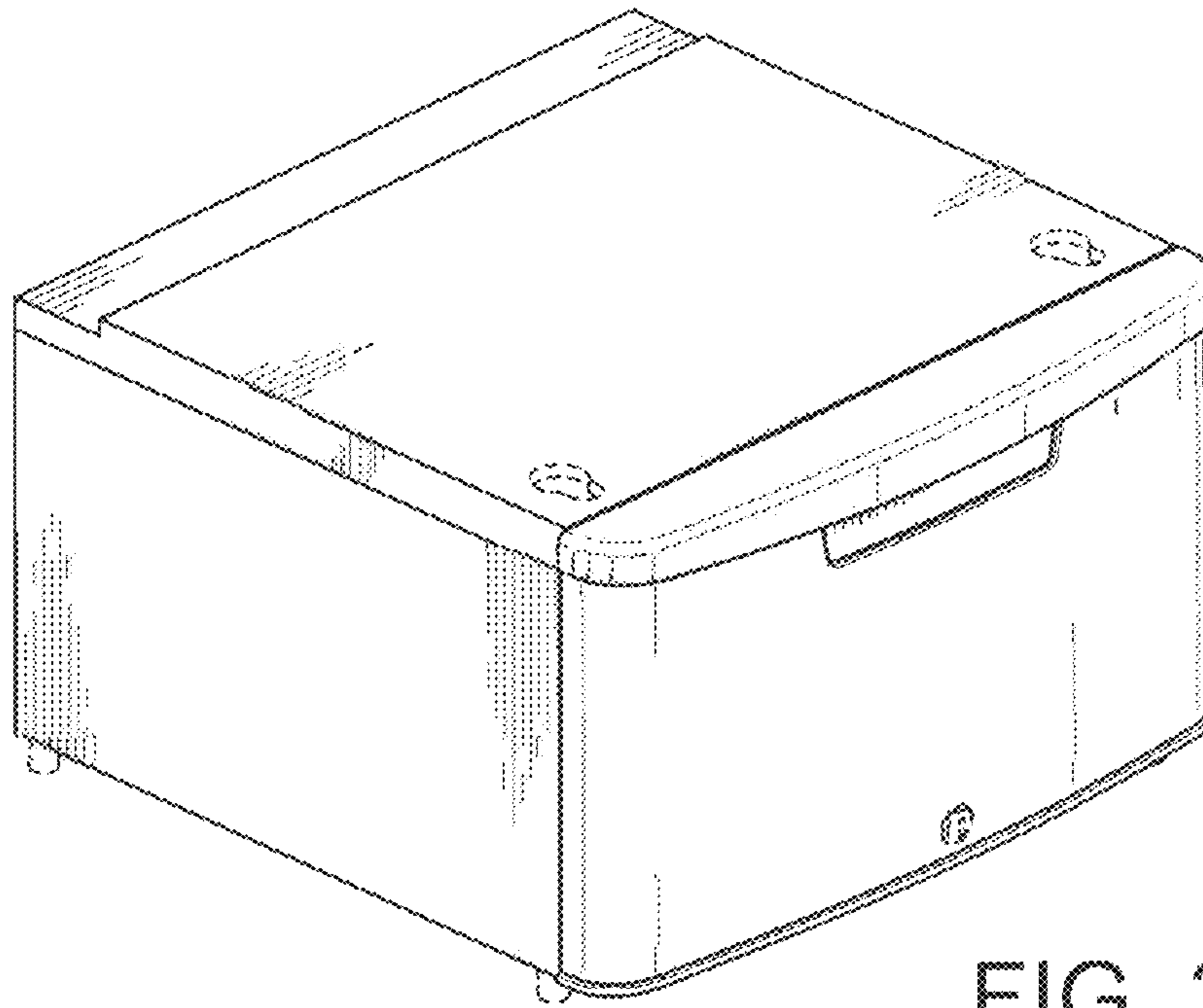


FIG. 2

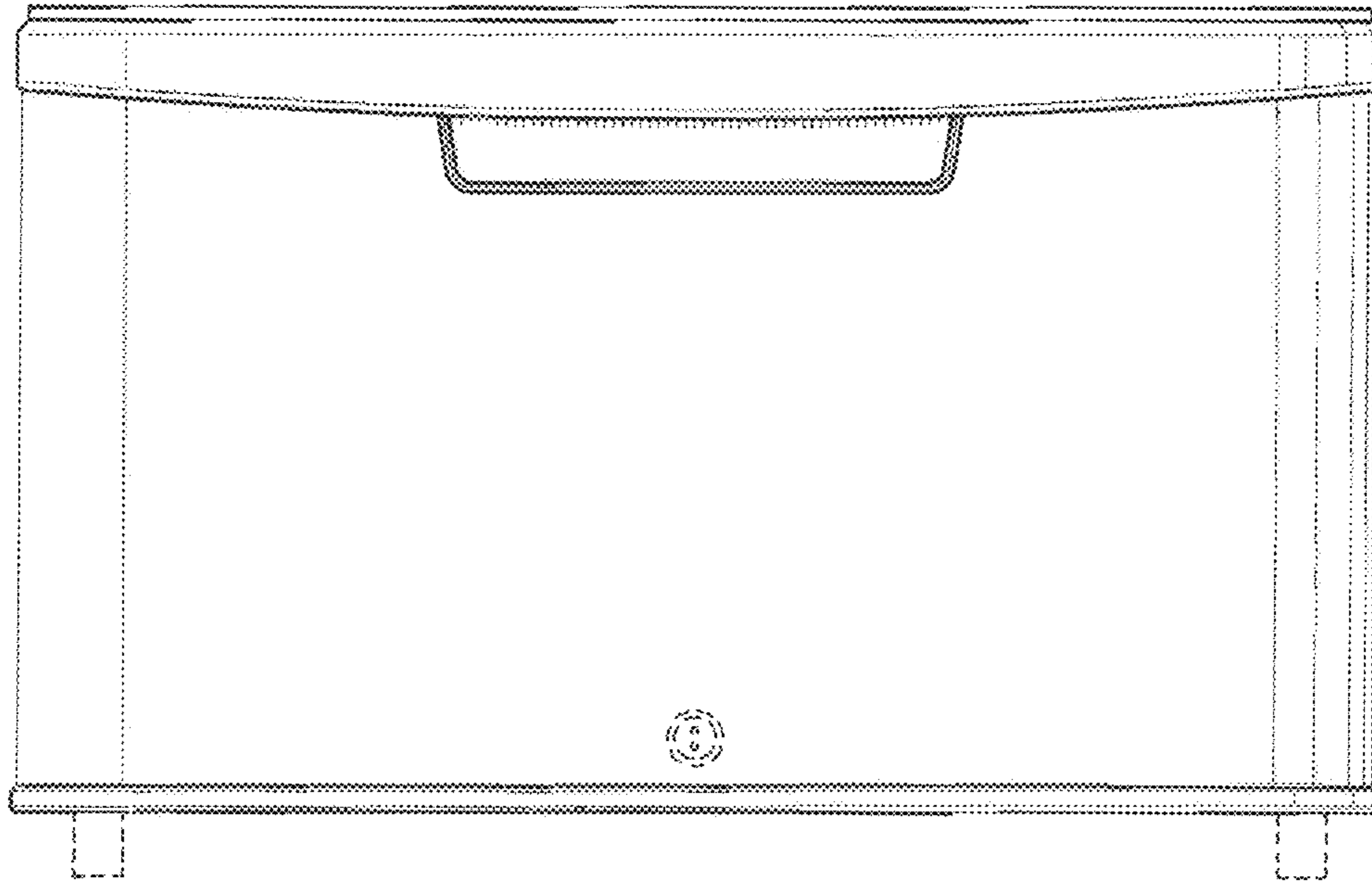


FIG. 3

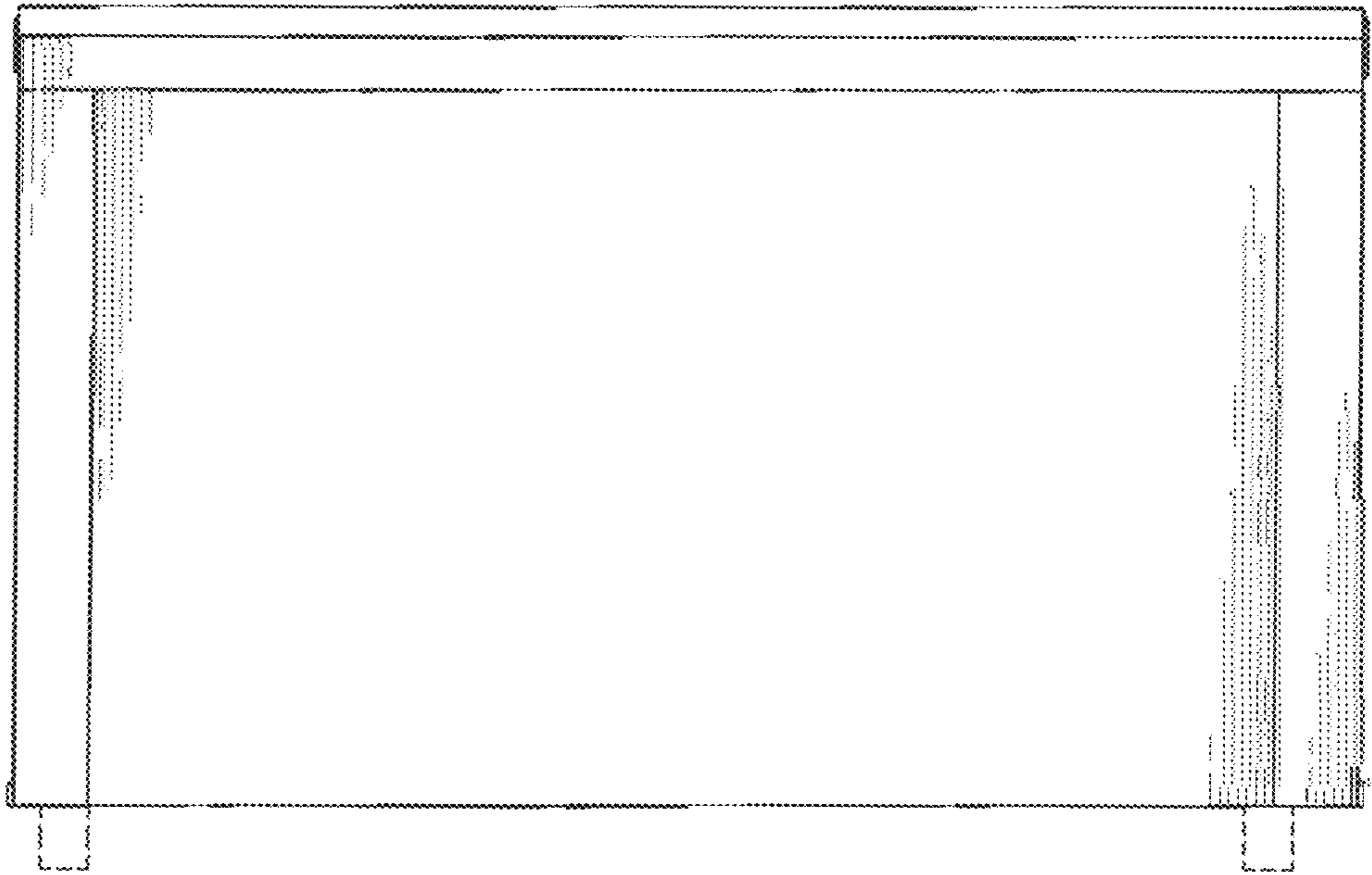


FIG. 4

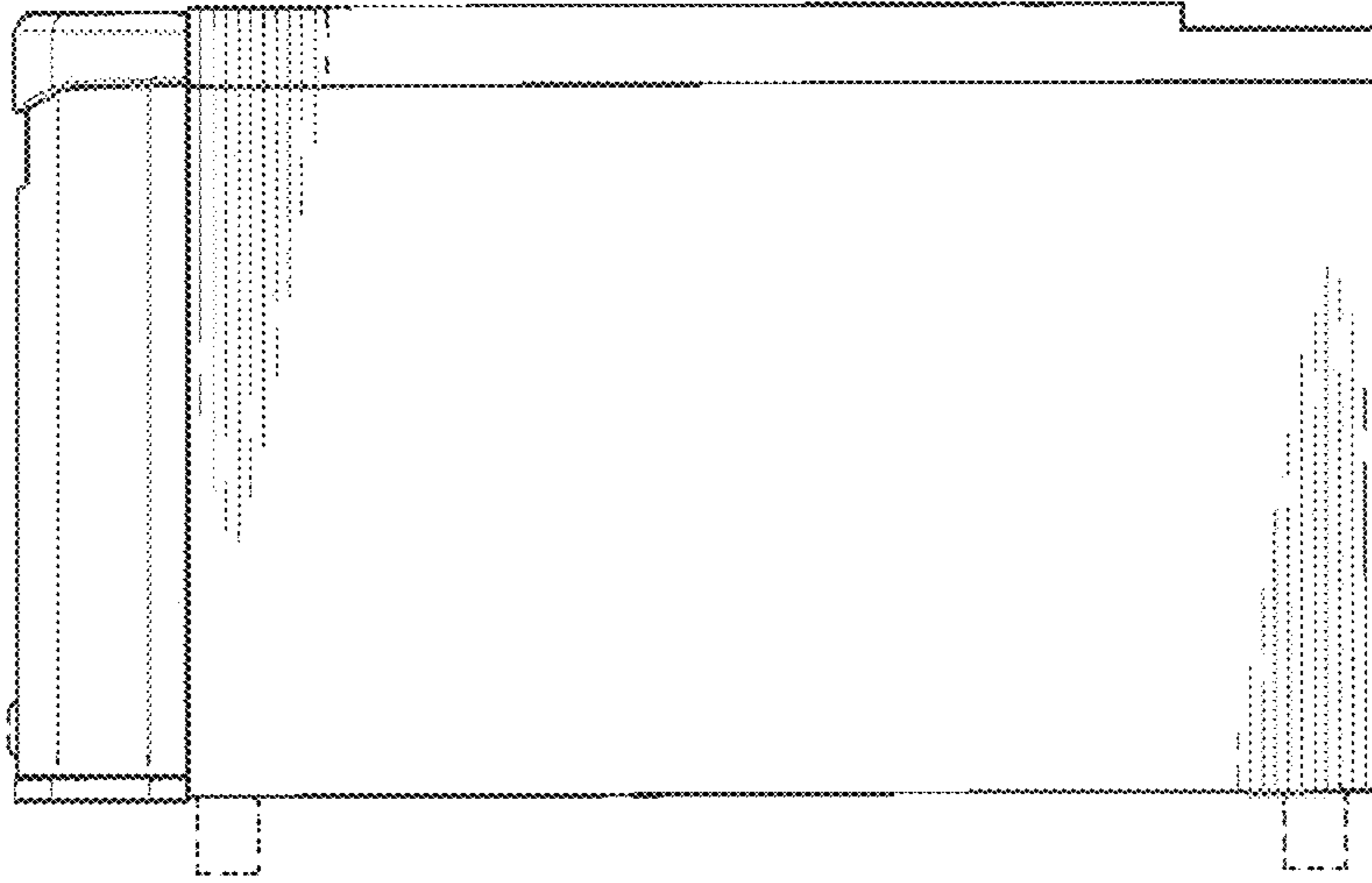


FIG. 5

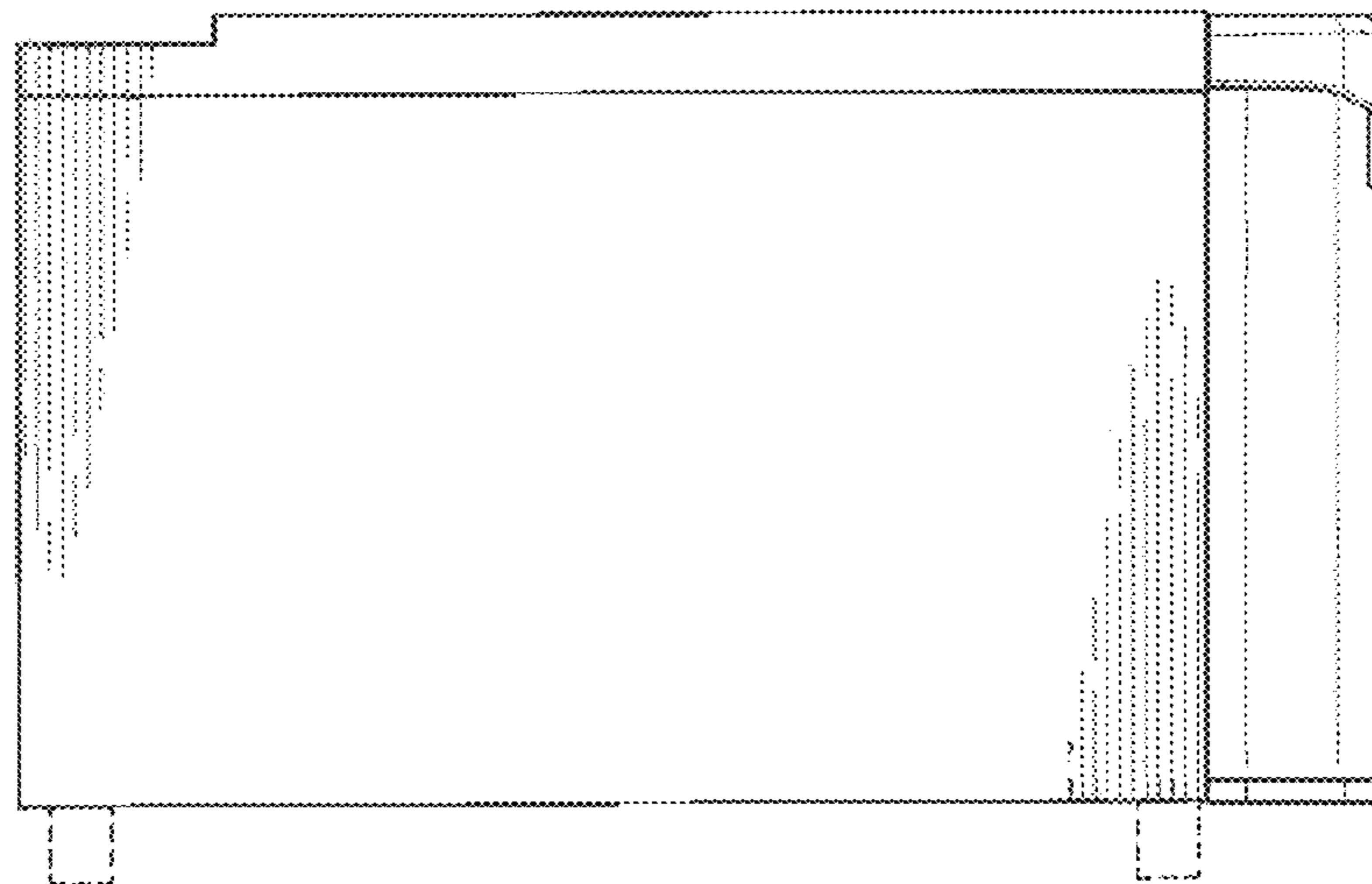


FIG. 6

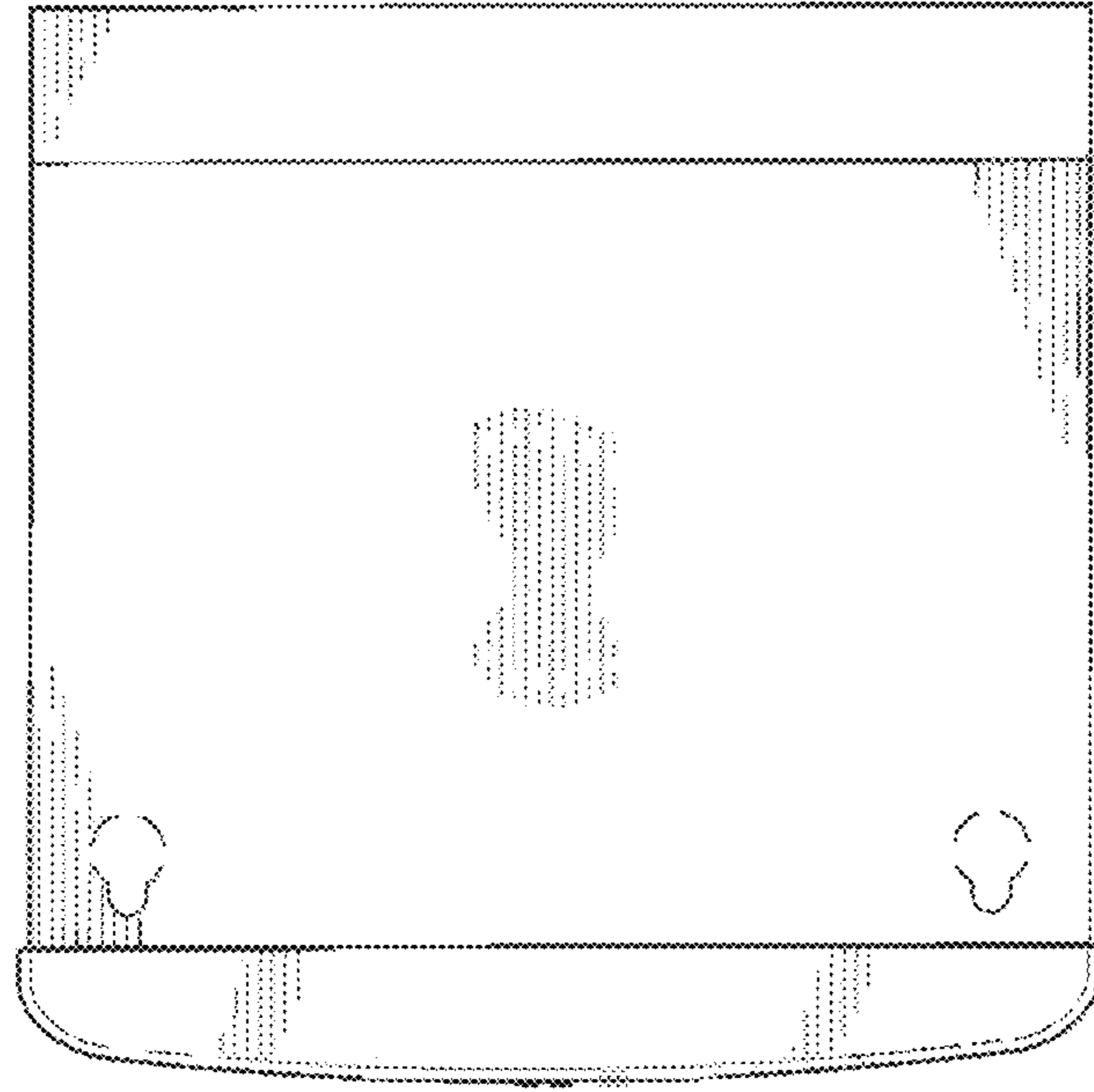


FIG. 7

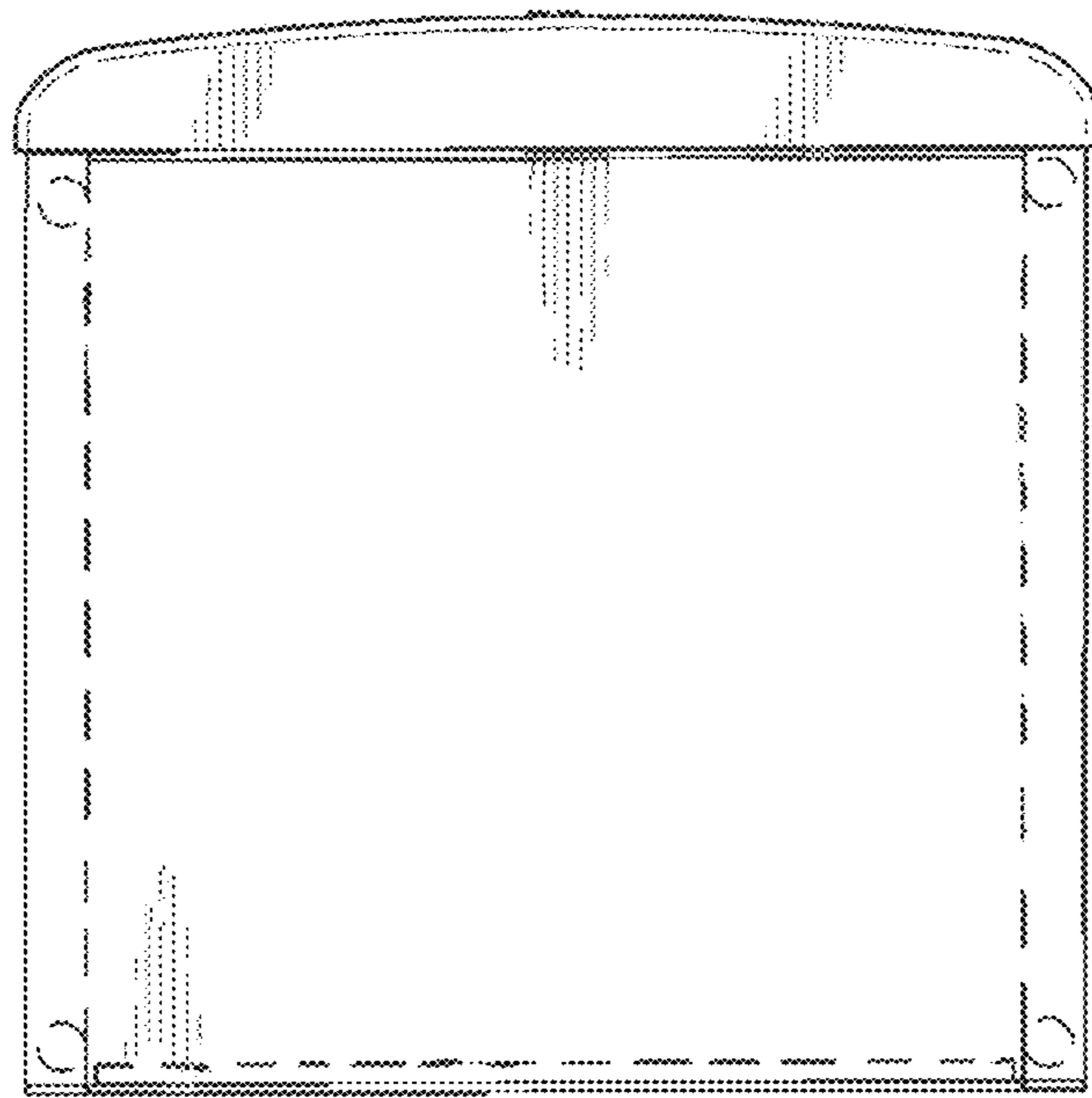


FIG. 8

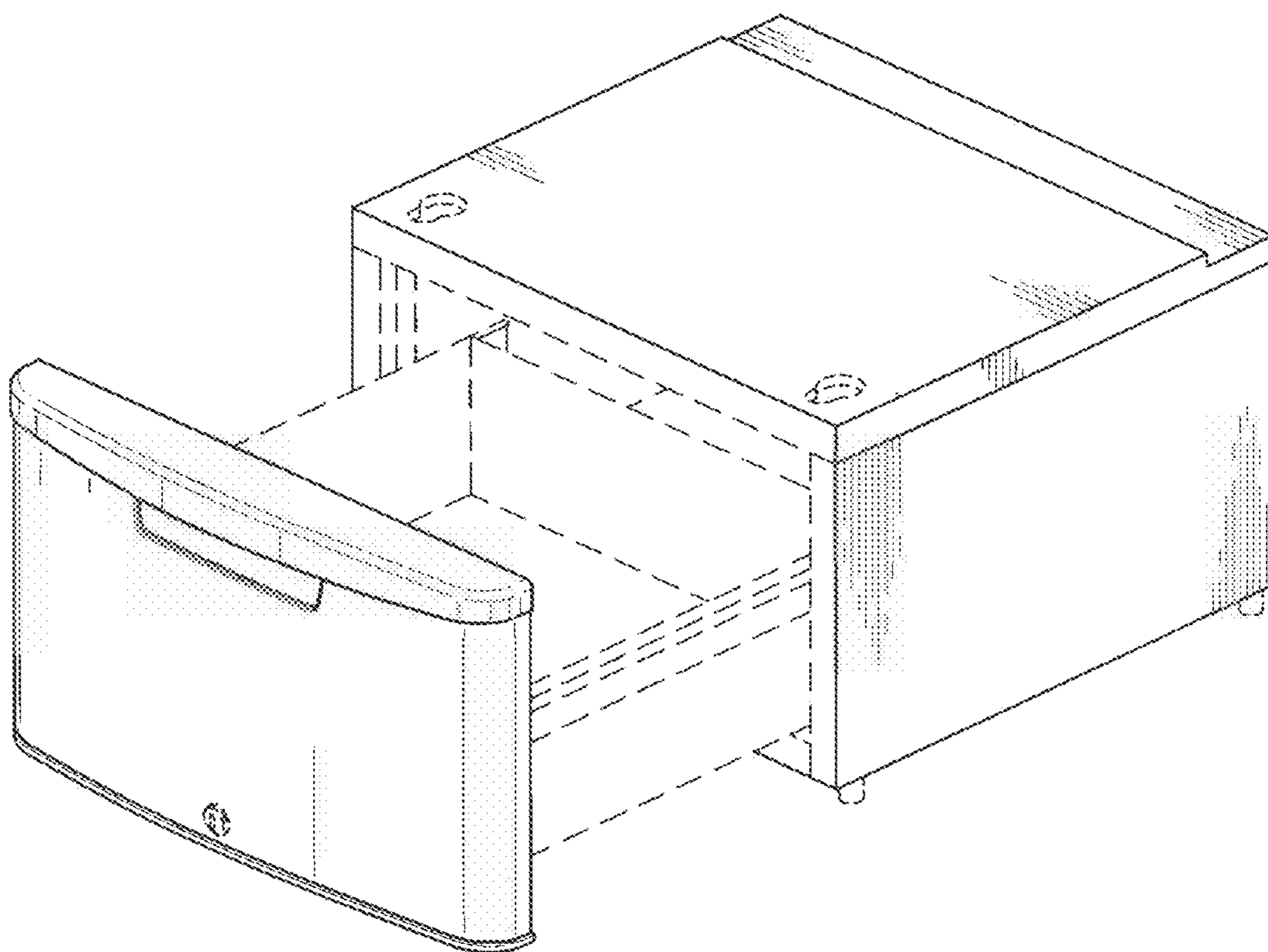


FIG. 9