



US00D808204S

(12) **United States Design Patent**  
**Davis et al.**

(10) **Patent No.:** **US D808,204 S**  
(45) **Date of Patent:** **\*\* Jan. 23, 2018**

- (54) **TABLE**
- (71) Applicant: **WALKER EDISON FURNITURE COMPANY, LLC**, Salt Lake City, UT (US)
- (72) Inventors: **Matthew Davis**, Murray, UT (US); **Brad Bonham**, Draper, UT (US)
- (73) Assignee: **Walker Edison Furniture Company, LLC**, Salt Lake City, UT (US)
- (\*\*) Term: **15 Years**
- (21) Appl. No.: **29/573,765**
- (22) Filed: **Aug. 9, 2016**
- (51) **LOC (11) Cl.** ..... **06-03**
- (52) **U.S. Cl.**  
USPC ..... **D6/691**
- (58) **Field of Classification Search**  
USPC ..... D6/349, 641, 656, 671, 675, 677, 685, D6/687, 690, 691, 691.1, 691.2, 691.3, D6/691.4, 691.5, 691.9, 693, 695, 695.2, D6/696, 696.1, 697, 697.1, 698, 699, D6/699.2, 703, 707, 708, 709, 709.2, D6/709.21  
CPC ..... A47B 7/00; A47B 13/08; A47B 13/10; A47B 21/00; A47B 2009/006; A47B 11/00; A47B 2200/002  
See application file for complete search history.

- (56) **References Cited**  
U.S. PATENT DOCUMENTS  
606,845 A \* 7/1898 Simmons ..... A47B 3/02 108/120  
D194,573 S \* 2/1963 Ovendale ..... D6/681.1  
D234,735 S \* 4/1975 Podell ..... D6/691.5  
D261,712 S \* 11/1981 Ferdinand ..... D6/691  
D288,880 S \* 3/1987 Favaretto ..... D6/691

- D293,181 S \* 12/1987 Solaro ..... D6/691.1
- D334,856 S \* 4/1993 Sielaff ..... D6/654
- D336,394 S \* 6/1993 Ball ..... D6/656.13
- D343,311 S \* 1/1994 Ball ..... D6/691
- 5,483,901 A \* 1/1996 Tisbo ..... A47B 3/02 108/119
- D367,379 S \* 2/1996 Nicholson ..... D6/691.5
- D443,440 S \* 6/2001 Deimen ..... D6/656.16
- D506,091 S \* 6/2005 Cioncada ..... D6/656
- D552,885 S \* 10/2007 Saotome ..... D6/656
- 7,640,869 B2 \* 1/2010 Leng ..... A47B 3/02 108/116
- D618,936 S \* 7/2010 Xu ..... D6/691.6
- D626,767 S \* 11/2010 Lucci ..... D6/708
- D640,075 S \* 6/2011 Petrick ..... D6/656.17
- D669,709 S \* 10/2012 Nakamura ..... D6/691
- D671,339 S \* 11/2012 Nakamura ..... D6/691
- D676,689 S \* 2/2013 Matsushita ..... D6/691
- D688,075 S \* 8/2013 Lucci ..... D6/709.2
- D695,557 S \* 12/2013 Carretta ..... D6/708
- D775,877 S \* 1/2017 Lin ..... D6/691

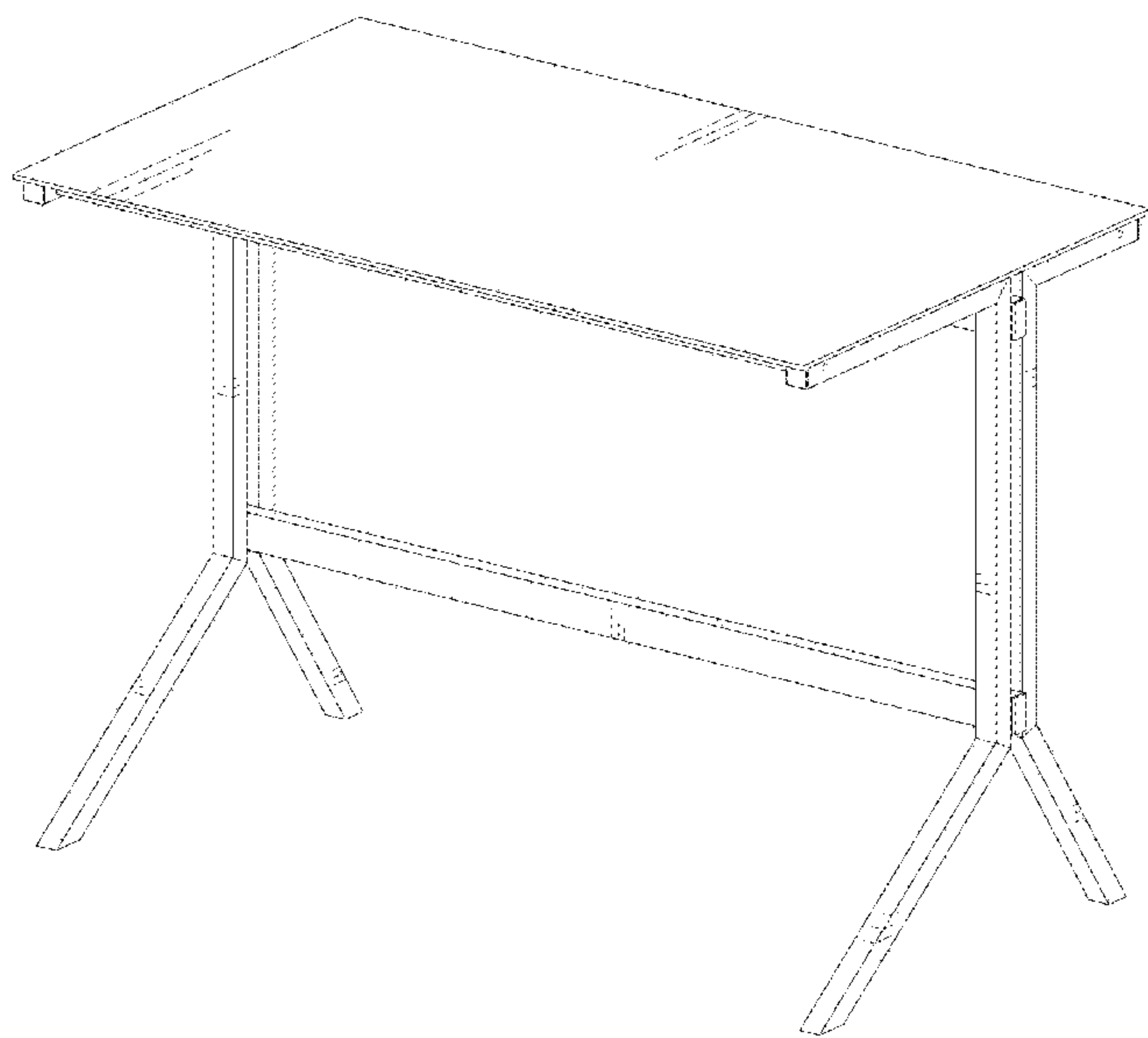
(Continued)

*Primary Examiner* — Mary Ann Calabrese  
*Assistant Examiner* — Sloan Rozin  
(74) *Attorney, Agent, or Firm* — Workman Nydegger

(57) **CLAIM**  
The ornamental design for a table, as shown and described.

**DESCRIPTION**  
FIG. 1 is a front perspective view of a table;  
FIG. 2 is a front elevation view thereof;  
FIG. 3 is a back elevation view thereof;  
FIG. 4 is a right elevation view thereof;  
FIG. 5 is a left elevation view thereof;  
FIG. 6 is a top plan view thereof; and,  
FIG. 7 is a bottom plan view thereof.  
The broken line showing of elements on the table illustrates portions of the article and forms no part of the claimed design.

**1 Claim, 4 Drawing Sheets**



(56)

**References Cited**

U.S. PATENT DOCUMENTS

D782,855 S *	4/2017	Scagnellato .....	D6/685
2010/0186640 A1 *	7/2010	Leng .....	A47B 3/02 108/119

\* cited by examiner

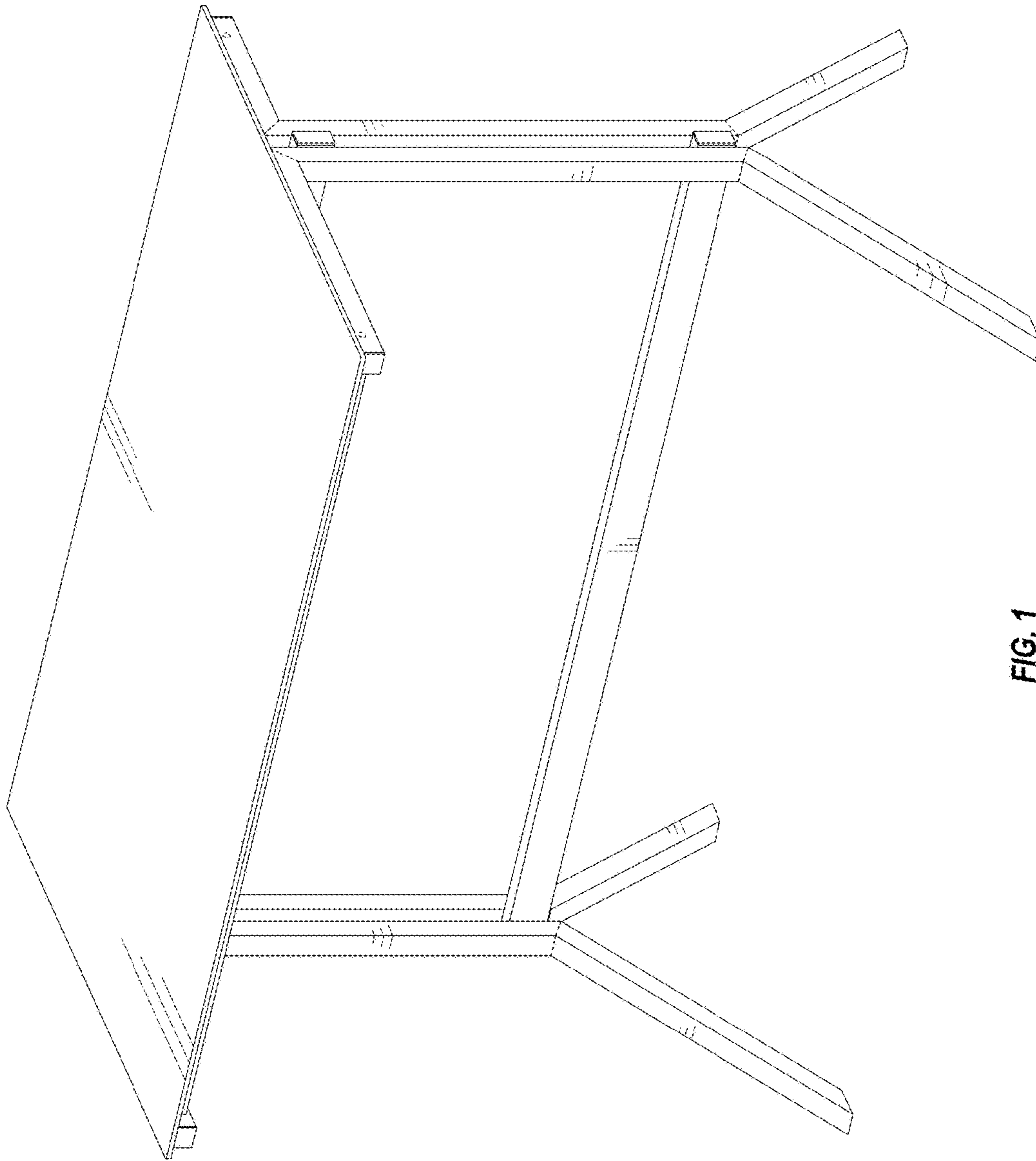


FIG. 1



FIG. 2

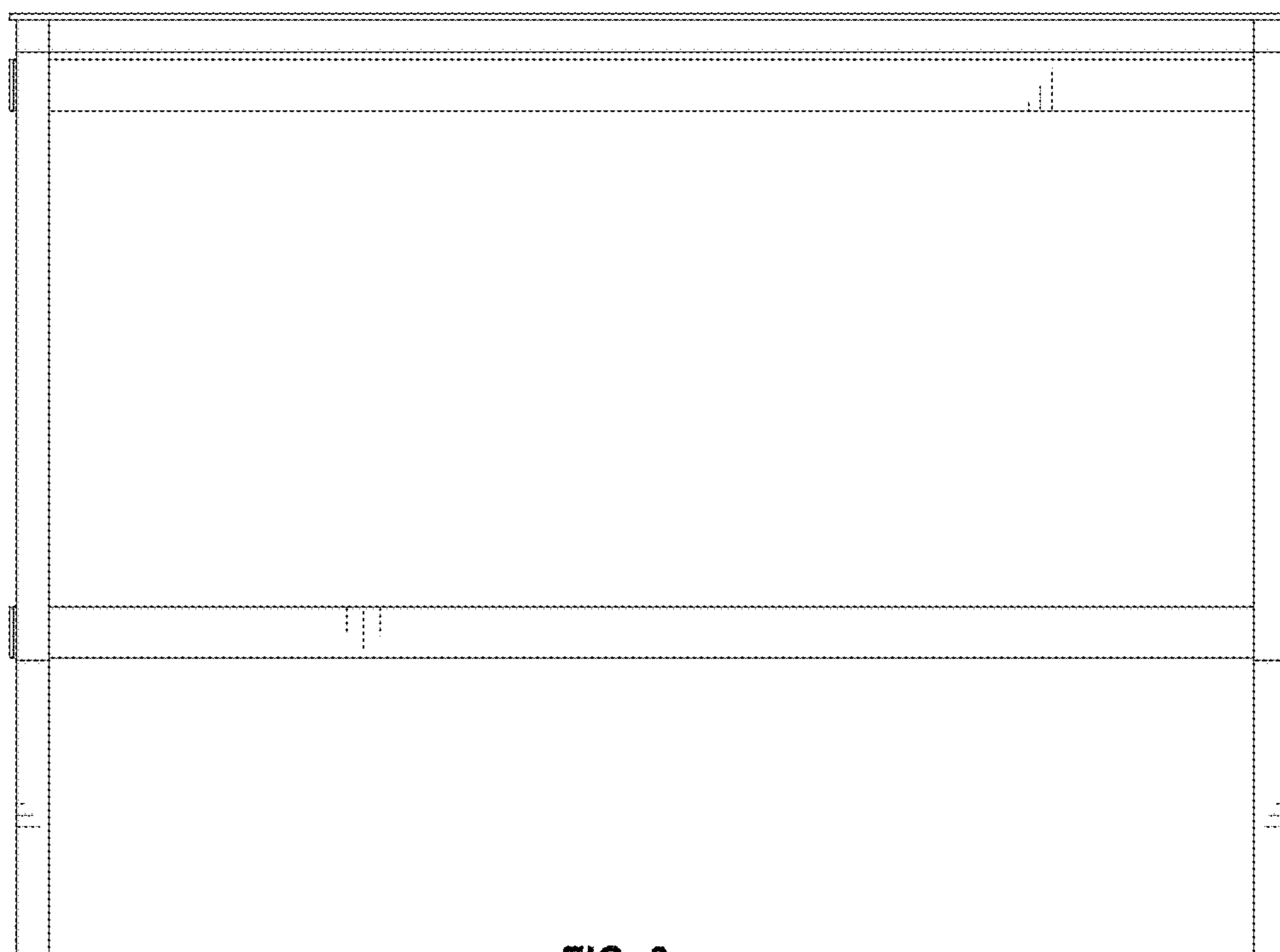
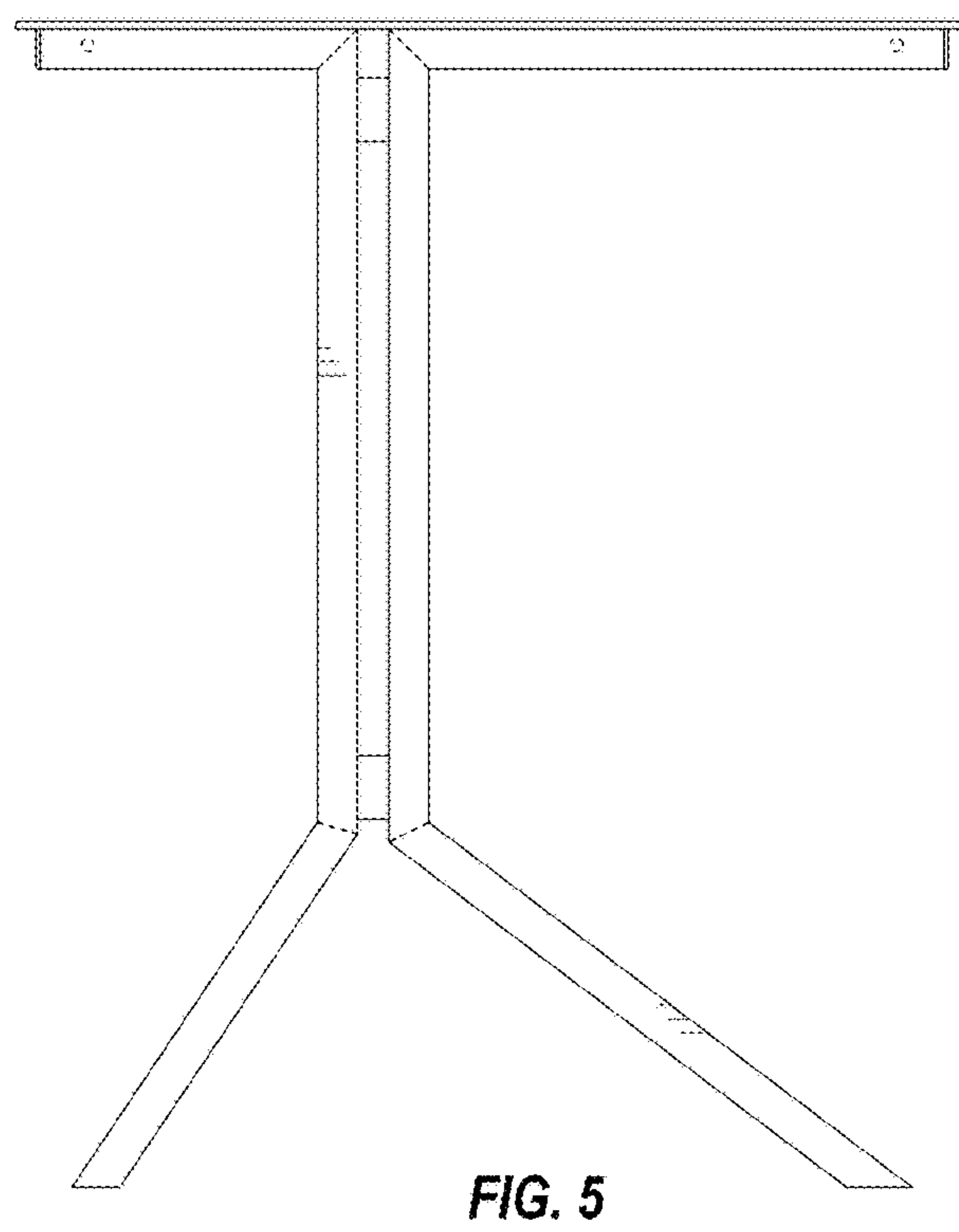
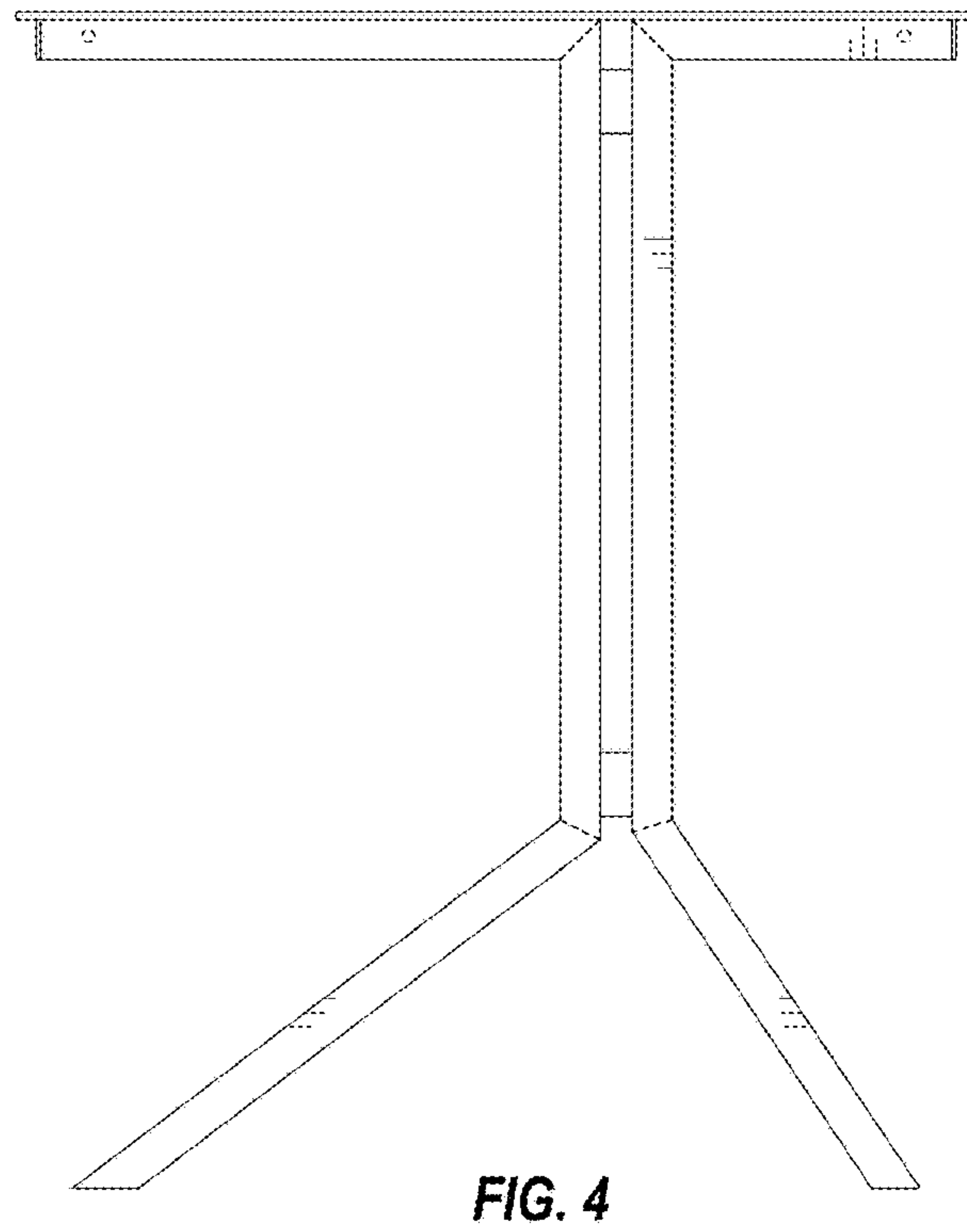


FIG. 3



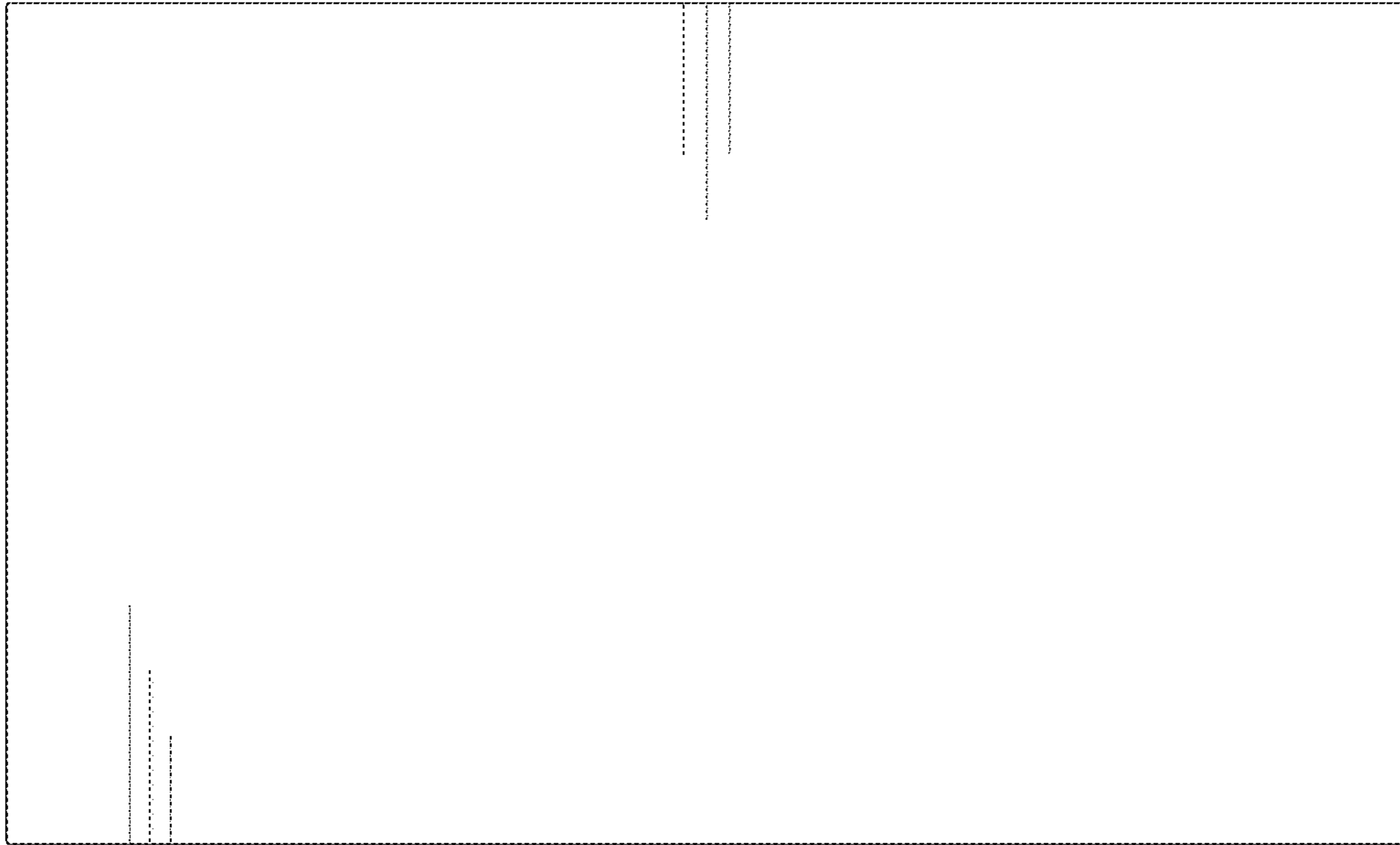


FIG. 6

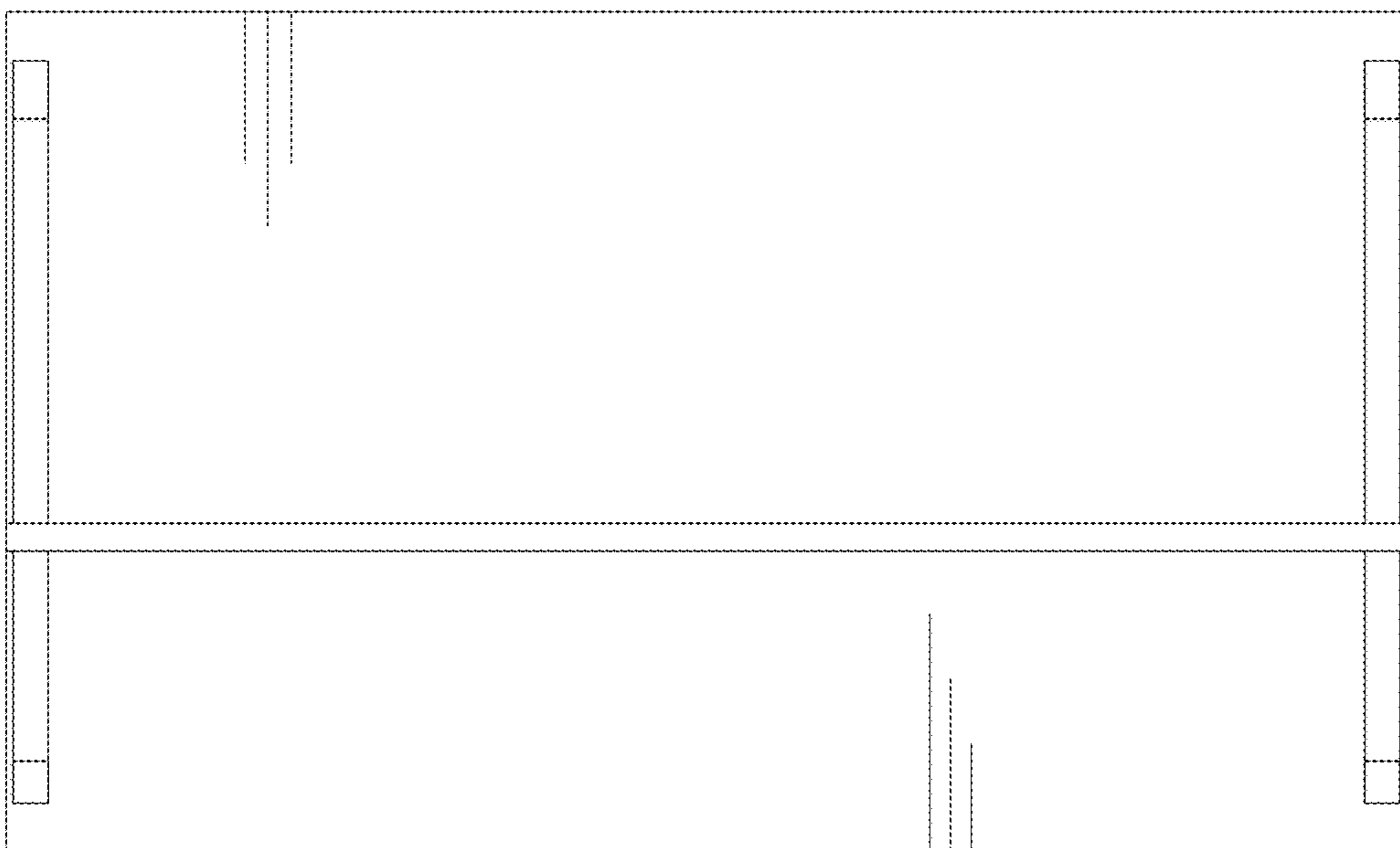


FIG. 7