



US00D808203S

(12) **United States Design Patent**
Davis et al.

(10) **Patent No.:** **US D808,203 S**
(45) **Date of Patent:** **** Jan. 23, 2018**

- (54) **SHELF SET**
- (71) Applicant: **WALKER EDISON FURNITURE COMPANY, LLC**, Salt Lake City, UT (US)
- (72) Inventors: **Matthew Davis**, Murray, UT (US); **Brad Bonham**, Draper, UT (US)
- (73) Assignee: **Walker Edison Furniture Company, LLC**, Salt Lake City, UT (US)

D382,513 S *	8/1997	Bozzone	D11/131
D492,861 S *	7/2004	Lenger	D6/675.3
D512,585 S *	12/2005	Rozenboom	D6/675.1
D541,557 S *	5/2007	Weatherly	D6/675.3
D591,533 S *	5/2009	Karsson	D6/675.3
D620,729 S *	8/2010	Snider	D6/675.2
D624,200 S *	9/2010	Kieffer	D25/65
D643,232 S *	8/2011	Wagner	D6/675.3
D685,851 S *	7/2013	Offenkrantz	D19/90
D716,080 S *	10/2014	Bell	D6/675.1
9,332,838 B1 *	5/2016	Kilday	A47B 47/0091
D760,516 S *	7/2016	Yu	D6/680.2
D784,738 S *	4/2017	Wang	D6/683.1
D785,981 S *	5/2017	Kimmich	D6/675.3

(**) Term: **15 Years**

* cited by examiner

(21) Appl. No.: **29/574,074**

Primary Examiner — Kelley Donnelly

(22) Filed: **Aug. 11, 2016**

(74) *Attorney, Agent, or Firm* — Workman Nydegger

(51) **LOC (11) Cl.** **06-06**

(57) **CLAIM**

(52) **U.S. Cl.**
USPC **D6/675.3**

The ornamental design for a shelf set, as shown and described.

(58) **Field of Classification Search**
USPC D6/303, 305, 311, 672, 675, 675.1, D6/675.3, 683, 683.1
CPC A47F 5/0025; A47F 5/0043; A47F 5/0081; B25H 3/00
See application file for complete search history.

DESCRIPTION

FIG. 1 is a front perspective view of a shelf set;
FIG. 2 is a front elevation view thereof;
FIG. 3 is a back elevation view thereof;
FIG. 4 is a right elevation view thereof;
FIG. 5 is a left elevation view thereof;
FIG. 6 is a top plan view thereof; and,
FIG. 7 is a bottom plan view thereof.
The broken lines are for illustrative purposes only and form no part of the claimed design.

(56) **References Cited**

U.S. PATENT DOCUMENTS

D259,007 S *	4/1981	Schuckenbrock	D6/675.3
5,240,127 A *	8/1993	Levin	A47B 87/0223 211/133.1
D372,105 S *	7/1996	Plotner	D25/68

1 Claim, 4 Drawing Sheets

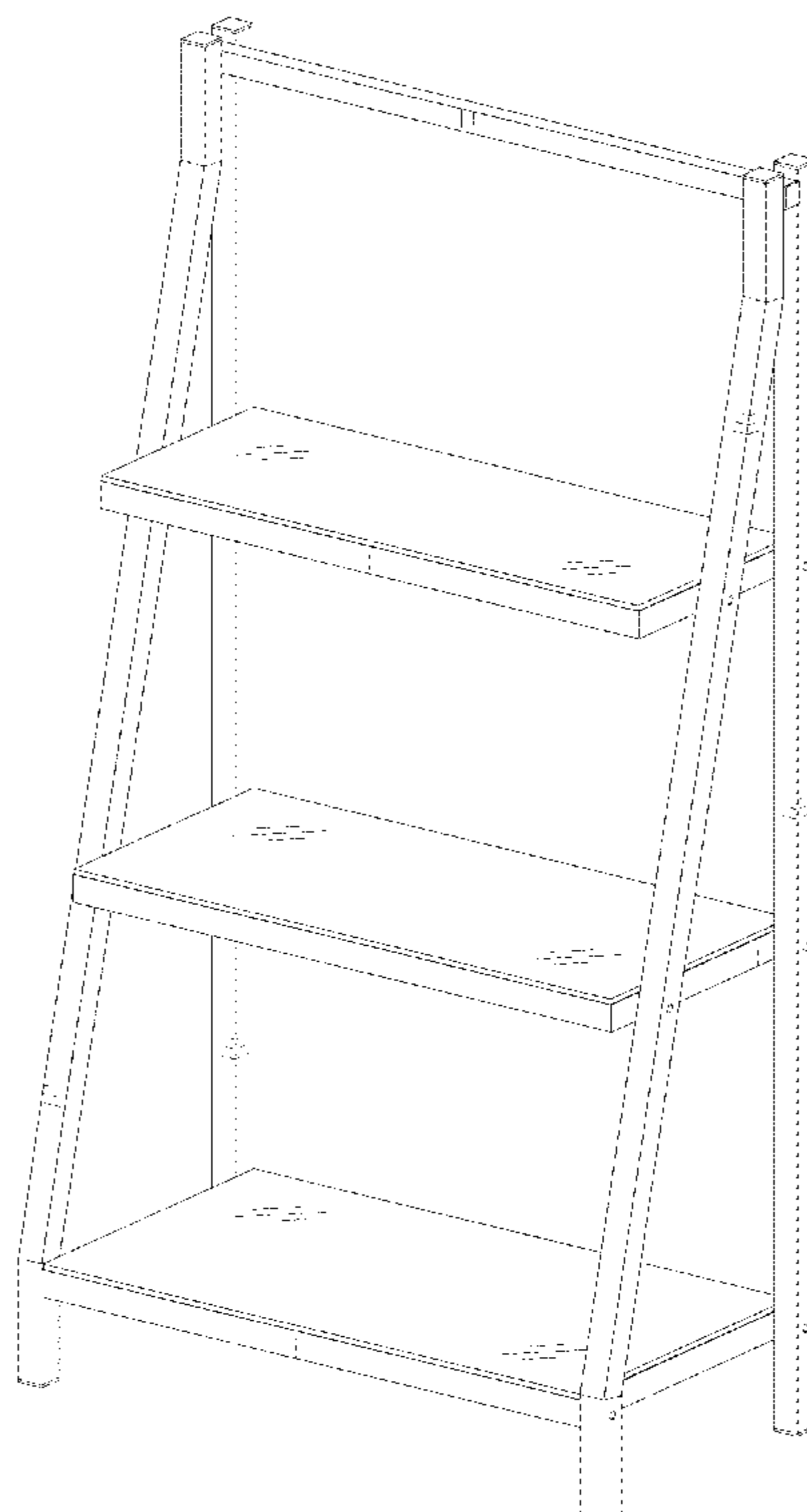




FIG. 1

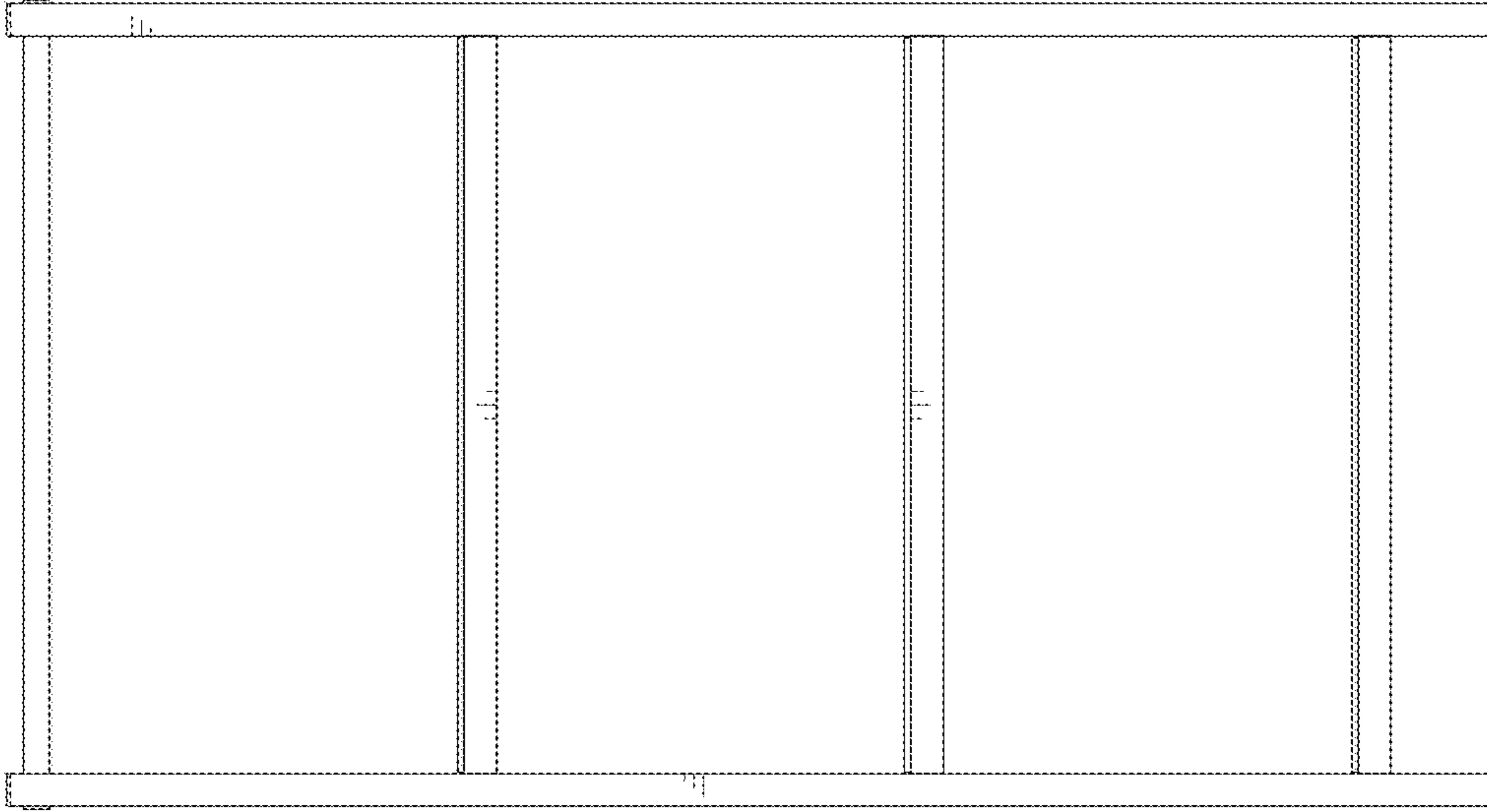


FIG. 3

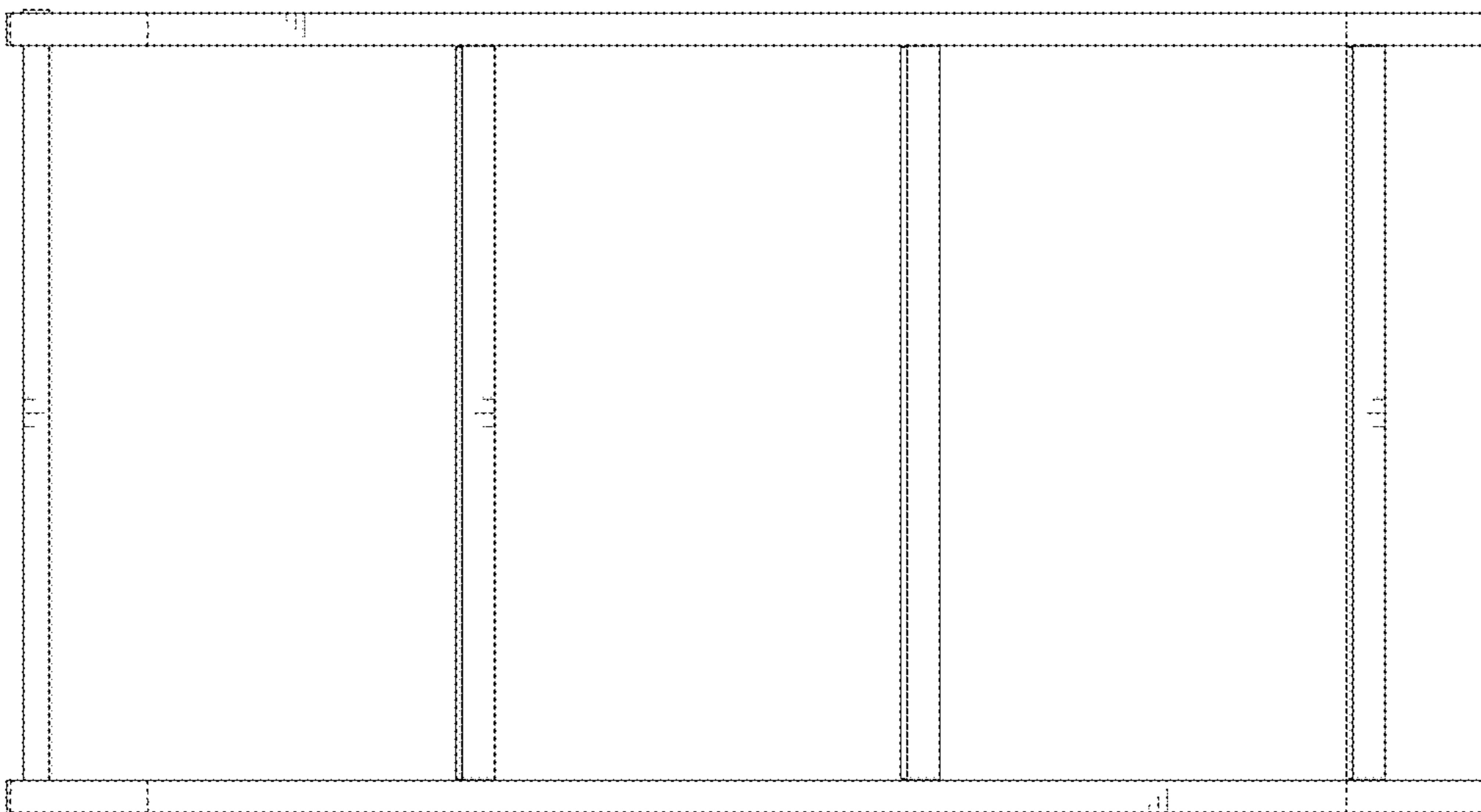


FIG. 2

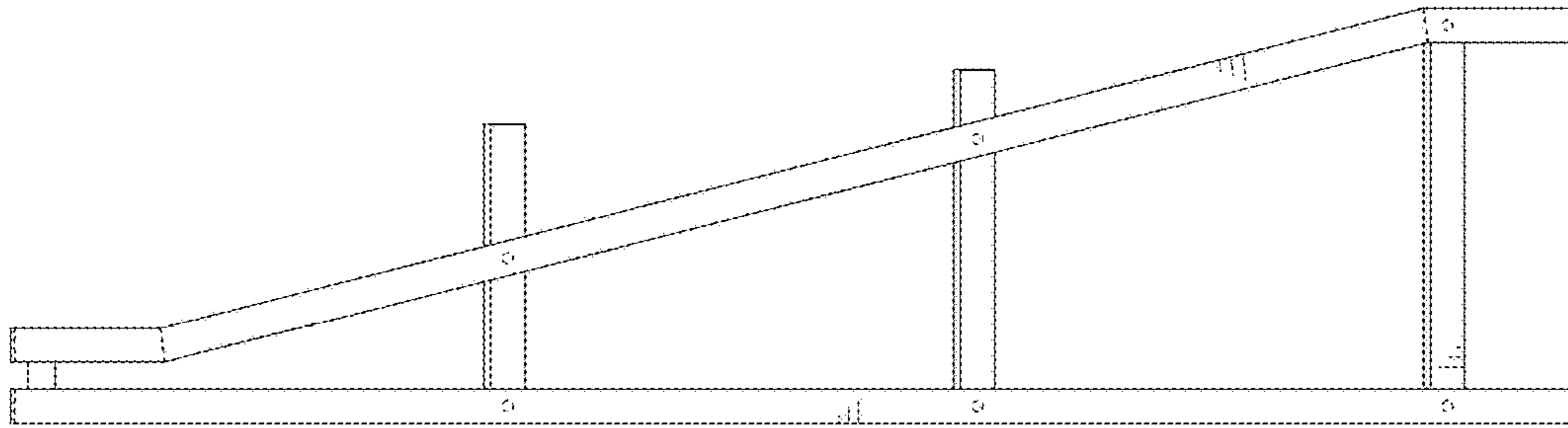


FIG. 5

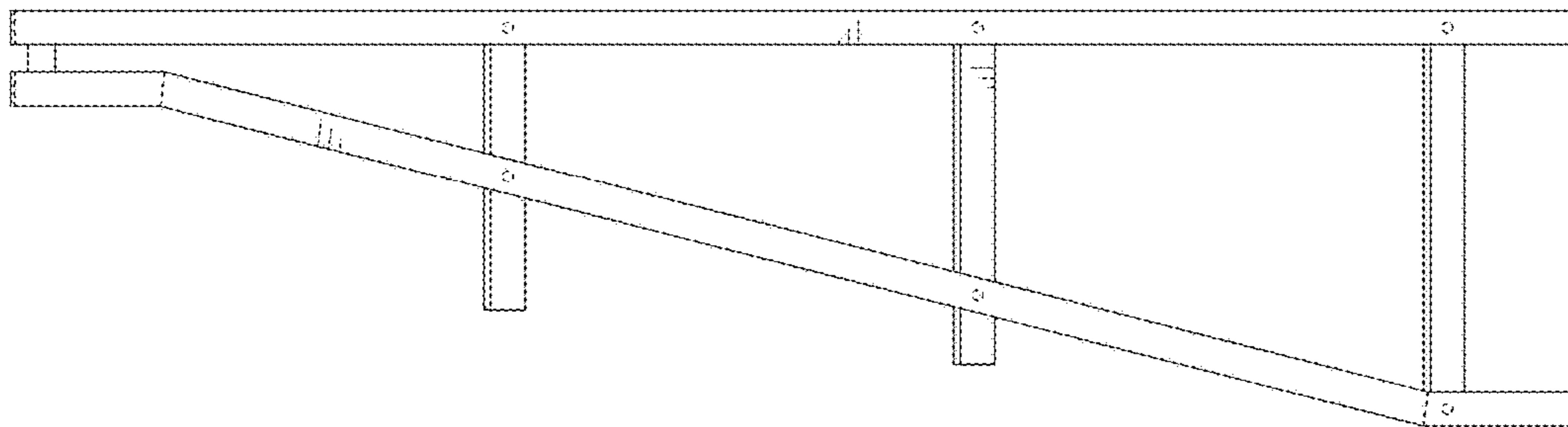


FIG. 4

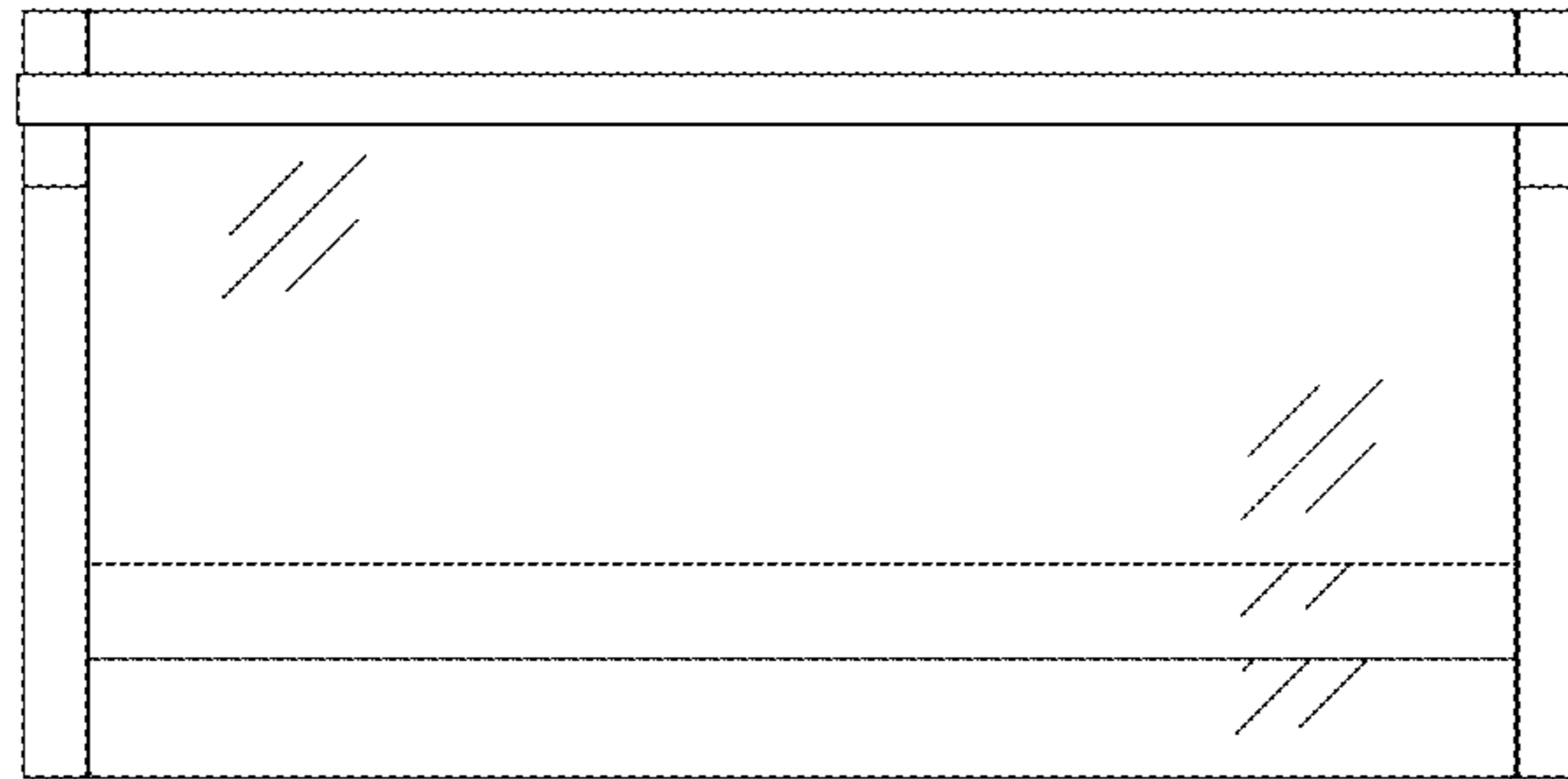


FIG. 6



FIG. 7