



US00D808199S

(12) **United States Design Patent**
Fitzgerald et al.

(10) **Patent No.:** **US D808,199 S**
(45) **Date of Patent:** **** Jan. 23, 2018**

- (54) **SHELF**
- (71) Applicant: **Edsal Manufacturing Co., Inc.**,
Chicago, IL (US)
- (72) Inventors: **Scott Fitzgerald**, Lowell, IN (US);
David J. Wojtowicz, Orland Park, IL
(US); **Thomas St. Germain**,
Bridgeview, IL (US); **Mitchell Liss**,
Chicago, IL (US); **Al Dunaj**, Chicago,
IL (US)
- (73) Assignee: **Edsal Manufacturing Company, Inc.**,
Chicago, IL (US)
- (**) Term: **15 Years**
- (21) Appl. No.: **29/542,582**
- (22) Filed: **Oct. 15, 2015**

3,039,621 A	6/1962	Pilcher
D230,797 S	3/1974	Slaboden
4,513,669 A	4/1985	Steinke
4,732,284 A	3/1988	Remmers
D303,596 S	9/1989	Goetz
D364,292 S	11/1995	Good
5,463,966 A	11/1995	Nilsson
D366,170 S	1/1996	Temple
5,628,256 A	5/1997	Lazarus
6,036,288 A	3/2000	Shih
D423,840 S	5/2000	Carville et al.
D428,742 S	8/2000	Roberts
D444,656 S	7/2001	West
D456,641 S	5/2002	Carrabba
D476,510 S	7/2003	Henry et al.
6,925,943 B2	8/2005	Salmanson et al.
D510,220 S	10/2005	Sandy
D519,121 S	4/2006	Zamanian
D519,769 S	5/2006	Hoernig
D528,327 S	9/2006	O'Reilly
D543,057 S	5/2007	Grady et al.
D561,492 S	2/2008	Mehmen

(Continued)

Related U.S. Application Data

- (62) Division of application No. 29/461,096, filed on Jul. 18, 2013, now Pat. No. Des. 742,141, which is a division of application No. 29/365,084, filed on Jul. 2, 2010, now Pat. No. Des. 686,430.
- (51) **LOC (11) Cl.** **06-06**
- (52) **U.S. Cl.**
USPC **D6/675.1**
- (58) **Field of Classification Search**
USPC D6/396-397, 449, 465, 468, 475,
D6/510-511, 574, 705, 705.6, 707.19;
211/34, 49.1, 85.26, 134; D3/304, 315,
D3/317; 108/91-93, 147.11, 158.11
CPC A47F 1/00; A47B 45/00; A47B 57/00
See application file for complete search history.

(56) **References Cited**

U.S. PATENT DOCUMENTS

644,880 A	3/1900	Vanderman
1,284,235 A	11/1918	Carlin

Primary Examiner — Kelley Donnelly

(74) *Attorney, Agent, or Firm* — Wood Herron & Evans LLP

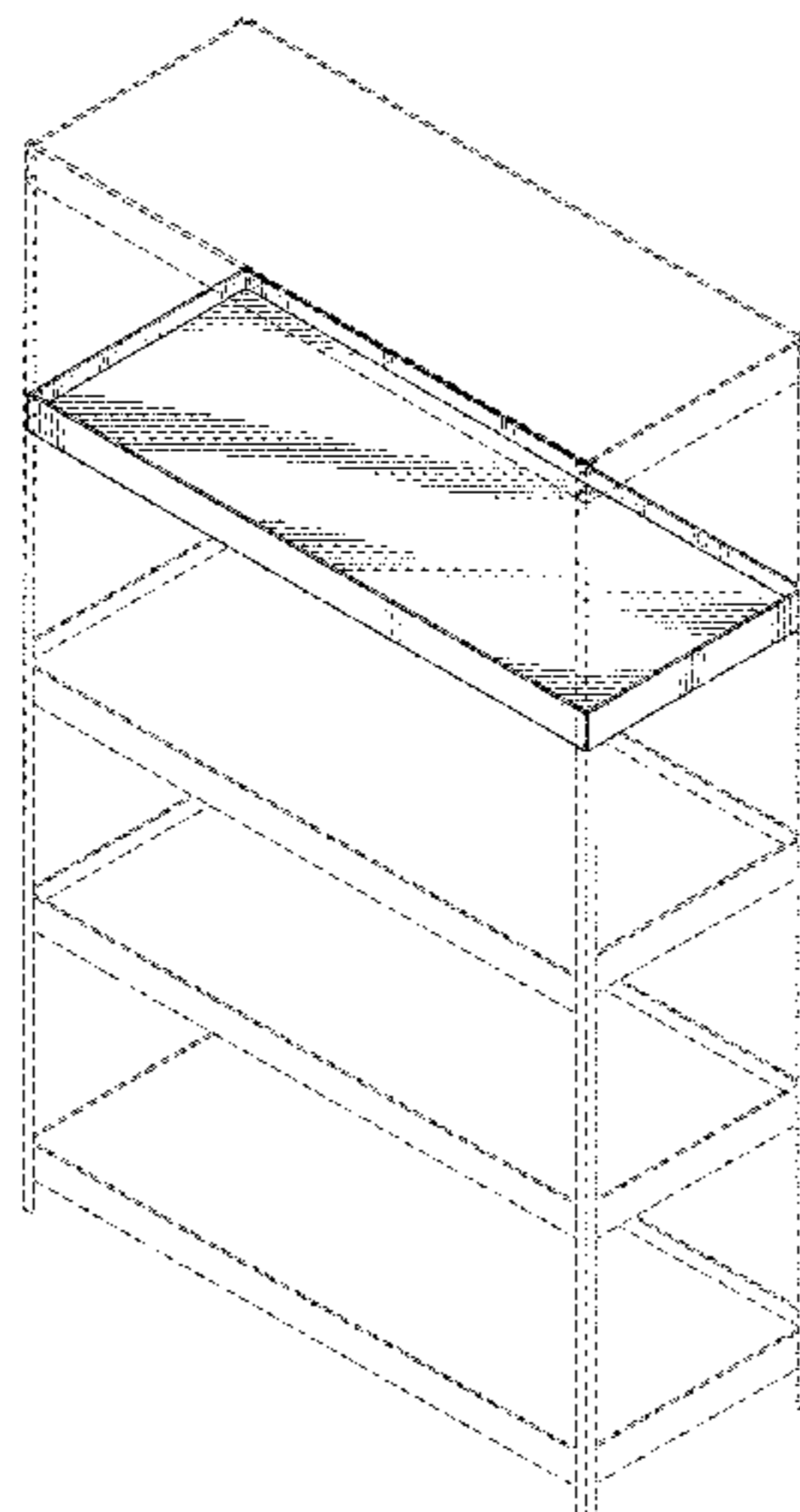
(57) **CLAIM**

The ornamental design for a shelf, as shown and described.

DESCRIPTION

FIG. 1 is an isometric view showing a shelf;
 FIG. 2 is another isometric view thereof;
 FIG. 3 is an elevation view thereof;
 FIG. 4 is a top plan view thereof; and,
 FIG. 5 is a side elevational view thereof.
 The broken lines in FIG. 1 depict environmental subject matter only and form no part of the claimed design.

1 Claim, 3 Drawing Sheets



(56)

References Cited

U.S. PATENT DOCUMENTS

D566,556 S 4/2008 Baker et al.
 D569,139 S 5/2008 Browne et al.
 D597,353 S 8/2009 Liss et al.
 D597,354 S 8/2009 Liss
 D603,626 S 11/2009 Weatherly
 D603,634 S 11/2009 Rotolo
 D627,180 S 11/2010 McCombs et al.
 D632,034 S 2/2011 Ha et al.
 7,886,673 B2 2/2011 Korte et al.
 D637,427 S 5/2011 Troyner et al.
 8,025,163 B2 9/2011 McAllister et al.
 D649,809 S 12/2011 Keshishyan
 D655,948 S 3/2012 Dardashti et al.
 D683,983 S 6/2013 Troyner et al.
 D686,430 S 7/2013 Fitzgerald et al.
 D693,668 S 11/2013 Wojtowicz et al.
 D698,589 S 2/2014 Troyner et al.
 D701,405 S 3/2014 Pace et al.
 D705,586 S * 5/2014 Denby D6/705.7
 D707,067 S * 6/2014 Basarich D6/705
 D708,051 S 7/2014 Wojtowicz et al.
 D710,633 S 8/2014 Mudrick
 D713,187 S 9/2014 Troyner et al.

D724,876 S * 3/2015 Gokhale D6/705
 D767,926 S * 10/2016 Denby D6/705
 D773,219 S * 12/2016 Clouse D6/705
 D777,479 S * 1/2017 Anderson D6/675.1
 2002/0170870 A1 11/2002 Callis
 2003/0146177 A1 8/2003 Miller et al.
 2004/0079714 A1 4/2004 Andrew et al.
 2004/0221772 A1 11/2004 Narkis et al.
 2004/0237853 A1 12/2004 Sholz
 2005/0103734 A1 5/2005 Saltzberg et al.
 2008/0139256 A1 6/2008 Cho et al.
 2008/0169256 A1 7/2008 Shetler
 2010/0116760 A1 * 5/2010 Fazzone A47F 5/0018
 211/49.1
 2012/0000871 A1 1/2012 Troyner et al.
 2012/0000873 A1 1/2012 Fitzgerald et al.
 2013/0134842 A1 * 5/2013 Kassanoff A47B 47/0091
 312/7.2
 2013/0248476 A1 * 9/2013 Barenbrugge A47F 5/00
 211/134
 2014/0027397 A1 * 1/2014 Knoll A47F 5/16
 211/183
 2016/0051044 A1 * 2/2016 Sabounjian A47B 47/021
 211/186

* cited by examiner

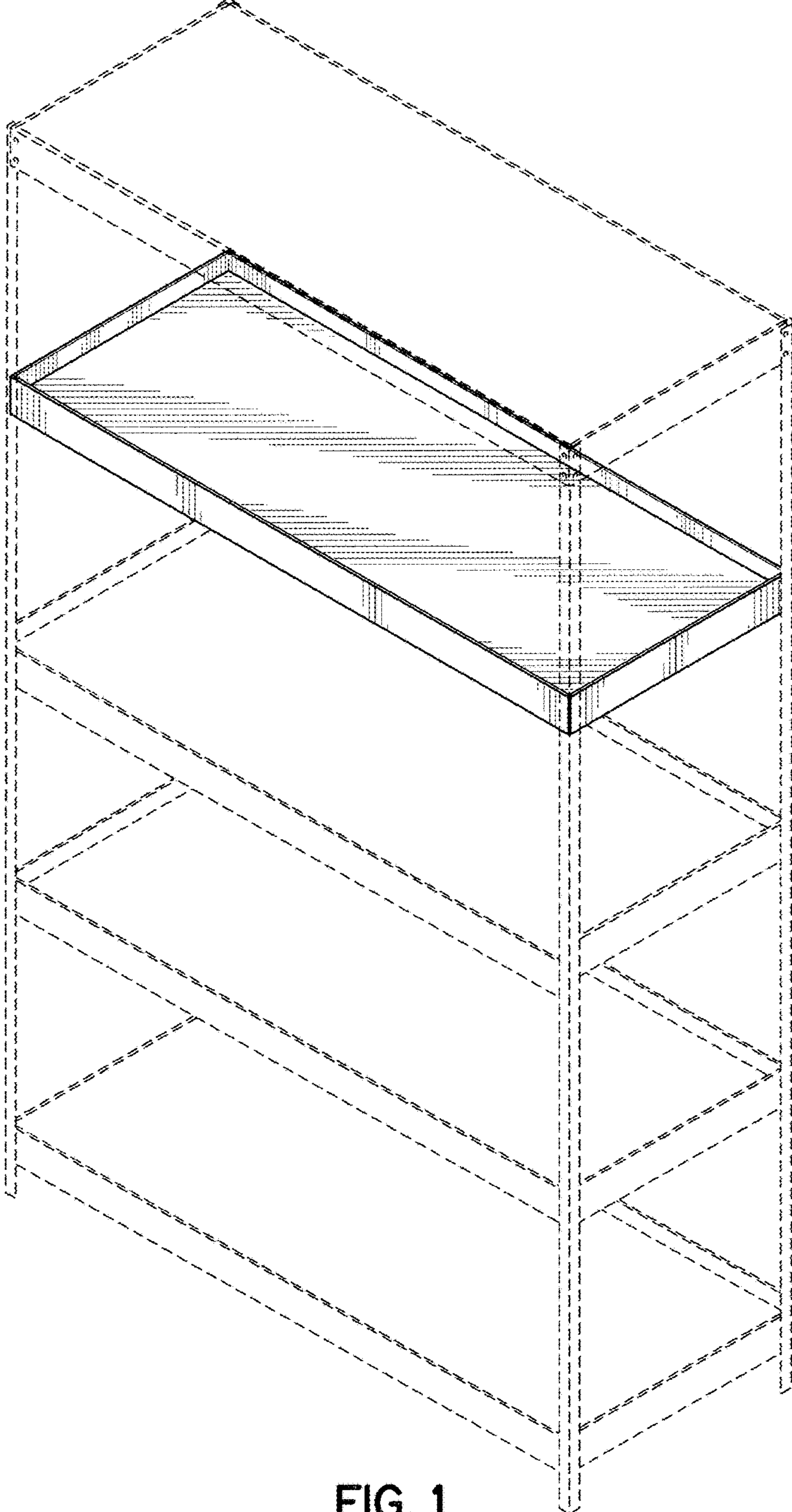


FIG. 1

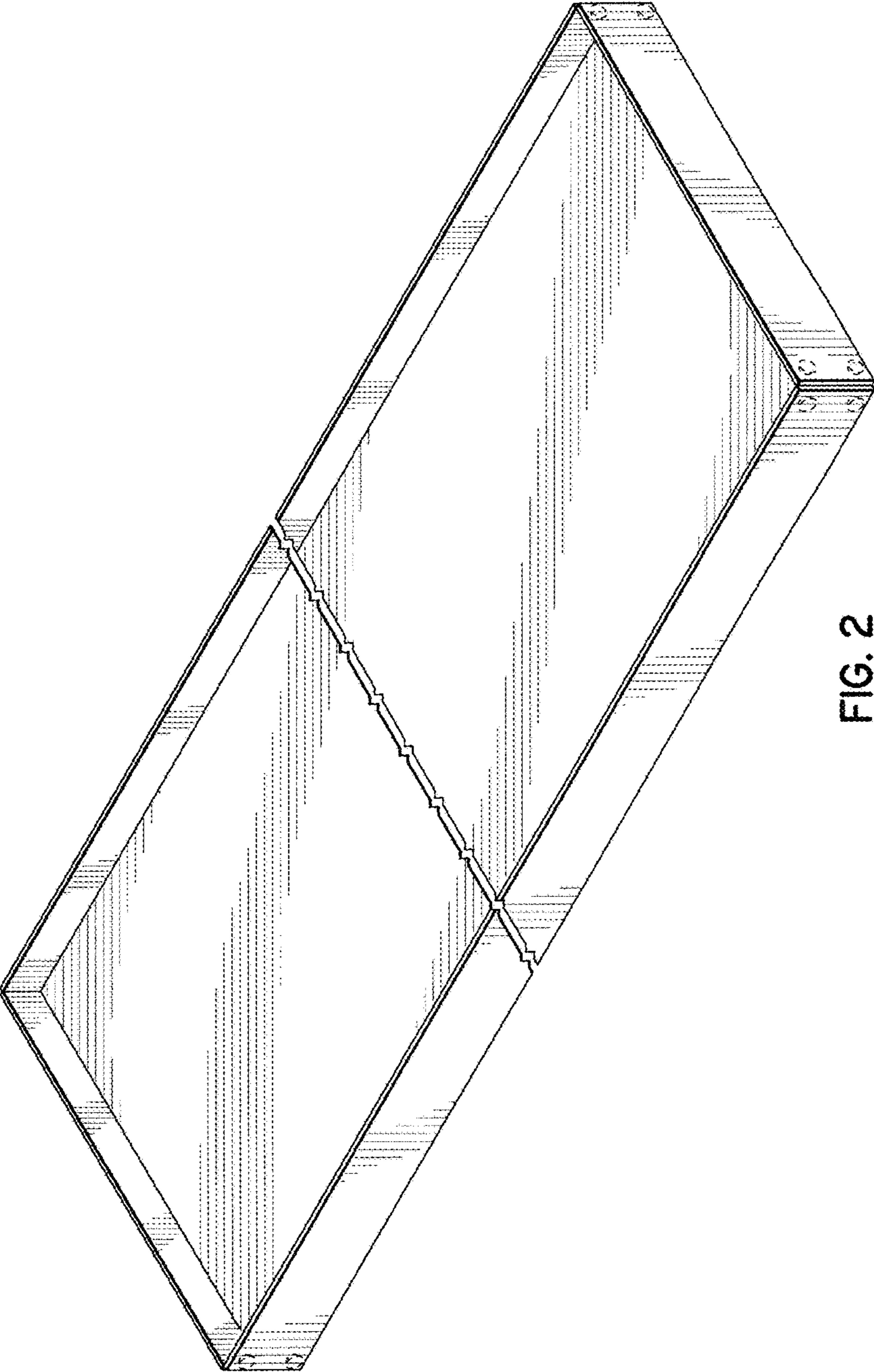


FIG. 2

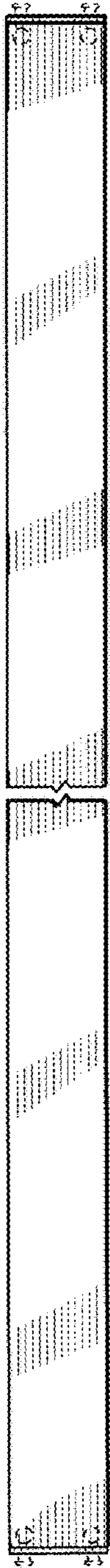


FIG. 3

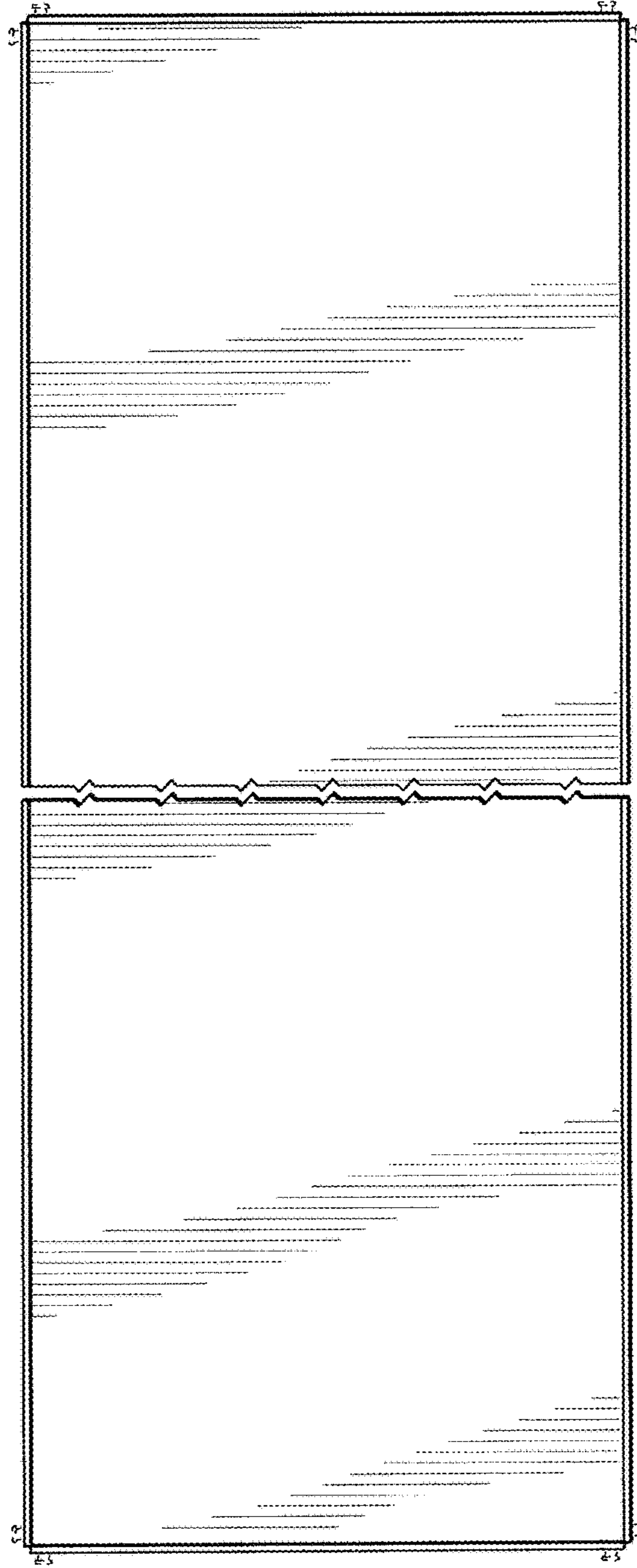


FIG. 4



FIG. 5