



US00D808197S

(12) **United States Design Patent** (10) **Patent No.:** **US D808,197 S**  
**Castaneda Roldan et al.** (45) **Date of Patent:** **\*\* Jan. 23, 2018**

(54) **SUPPORT FOR A TABLE** 4,069,770 A 1/1978 Bertelsen  
4,400,724 A 8/1983 Fields  
(71) Applicant: **STEELCASE INC.**, Grand Rapids, MI (US) D272,302 S 1/1984 Connelly  
D274,581 S \* 7/1984 Gallock ..... D6/336  
4,758,887 A 7/1988 Engel et al.  
(72) Inventors: **Felipe Efrain Castaneda Roldan**, Grand Rapids, MI (US); **Rachel Anne Neiman**, Grand Rapids, MI (US); **Robert Scheper**, Grand Rapids, MI (US) D327,178 S \* 6/1992 Ryaa ..... D6/337  
5,156,095 A 10/1992 Hansback et al.  
5,159,445 A 10/1992 Gitlin et al.  
5,194,955 A 3/1993 Yoneta et al.  
D337,000 S \* 7/1993 Williams ..... D6/368  
5,237,937 A 8/1993 Peltier et al.  
D339,487 S 9/1993 Rizzi  
5,243,413 A 9/1993 Gitlin et al.  
(73) Assignee: **STEELCASE INC.**, Grand Rapids, MI (US) 5,282,027 A 1/1994 Tanigaki et al.  
(Continued)

(\*\*) Term: **15 Years**

**FOREIGN PATENT DOCUMENTS**

(21) Appl. No.: **29/561,432**

CN 204635411 U 9/2015  
CN 204812639 U 12/2015

(22) Filed: **Apr. 15, 2016**

(Continued)

(51) **LOC (11) Cl.** ..... **06-03**

*Primary Examiner* — Rosemary K Tarcza

(52) **U.S. Cl.**  
USPC ..... **D6/644**

*Assistant Examiner* — Alison M Ofstun

(58) **Field of Classification Search**  
USPC ..... D6/344, 345, 336, 337, 641, 644, 650, D6/708  
CPC ..... A47C 11/00; A47C 11/005; A47B 13/02; A47B 83/02

(74) *Attorney, Agent, or Firm* — Brinks Gilson & Lione

See application file for complete search history.

(57) **CLAIM**

The ornamental design for a support for a table, as shown and described.

(56) **References Cited**

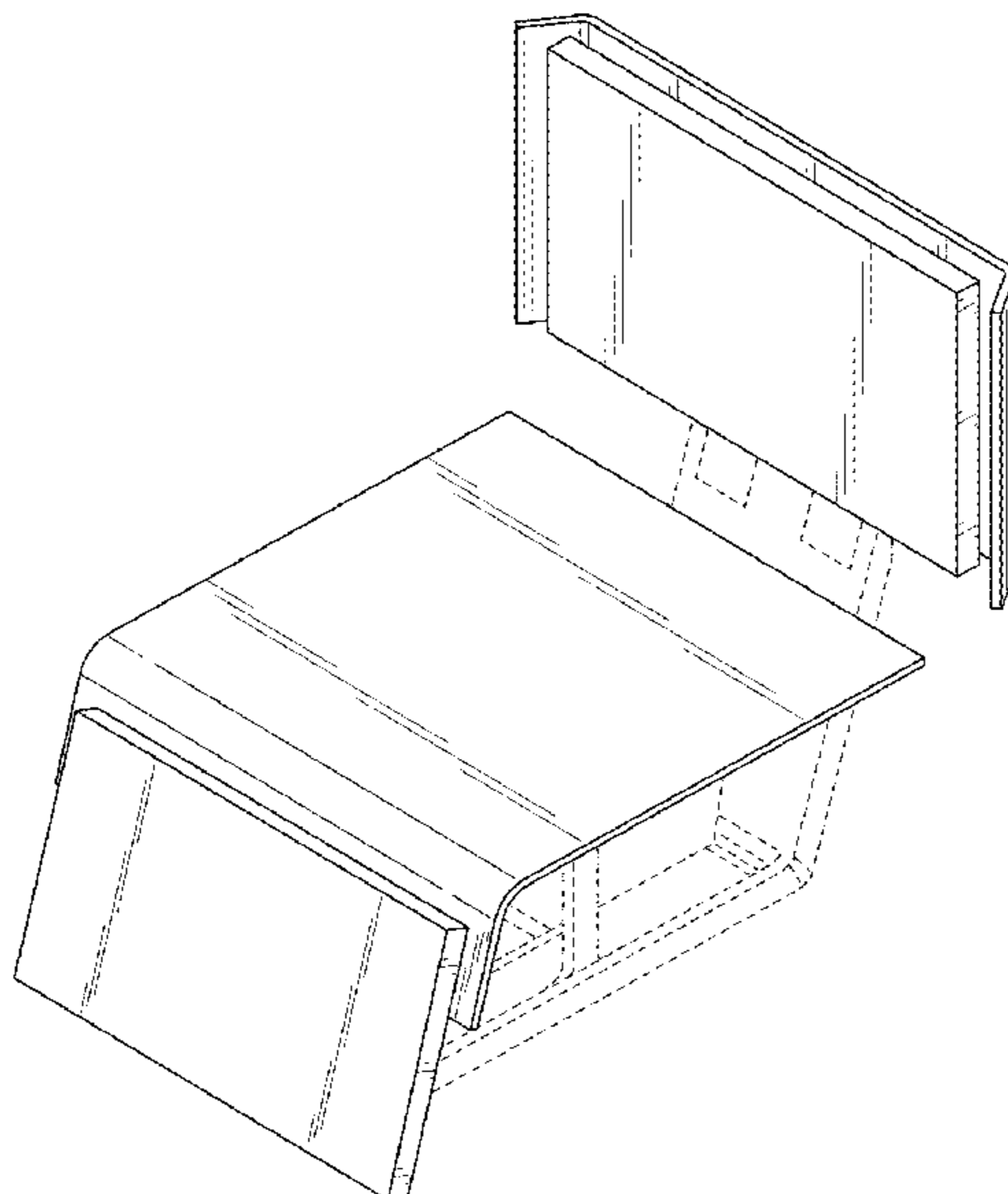
**DESCRIPTION**

**U.S. PATENT DOCUMENTS**

1,384,925 A 7/1921 Seiler  
2,536,511 A 1/1951 Megies  
2,540,291 A \* 2/1951 Reingold ..... A47B 83/02 297/125  
2,703,740 A 3/1955 Cochard  
D194,468 S \* 1/1963 Goodman ..... D6/337  
D196,121 S 8/1963 Soszynski  
3,120,405 A 2/1964 Soszynski  
D209,911 S \* 1/1968 Cooper ..... 297/135  
3,477,760 A 11/1969 Bue et al.

FIG. 1 is a perspective view of a support for a table; FIG. 2 is left side view of the support shown in FIG. 1, with a right side view being a mirror image thereof; FIG. 3 is a front view of the support shown in FIG. 1; FIG. 4 is a rear view of the support shown in FIG. 1; FIG. 5 is a top view of the support shown in FIG. 1; and, FIG. 6 is a bottom view of the support shown in FIG. 1. The broken lines shown in the Figures represent portions of the article that do not form any part of the claimed design.

**1 Claim, 3 Drawing Sheets**



(56)

References Cited

U.S. PATENT DOCUMENTS

D352,182 S \* 11/1994 Yoshimura ..... D6/335  
 5,400,069 A 3/1995 Braun et al.  
 5,406,323 A 4/1995 Tanigaki et al.  
 5,448,287 A 9/1995 Hull  
 5,470,128 A \* 11/1995 Kerkham ..... A47C 13/005  
 297/172  
 5,612,733 A 3/1997 Flohr  
 5,619,254 A 4/1997 McNelley  
 5,676,068 A 10/1997 Kallander  
 5,808,663 A 9/1998 Okaya  
 D409,008 S 5/1999 Lunn  
 5,953,052 A 9/1999 McNelley et al.  
 6,009,814 A 1/2000 Rossi  
 6,037,970 A 3/2000 Kondo  
 D434,738 S 12/2000 Takemasa  
 6,160,573 A 12/2000 Allen et al.  
 6,243,130 B1 6/2001 McNelley et al.  
 D447,365 S \* 9/2001 Chi ..... D6/708  
 D456,645 S 5/2002 Iverson  
 D474,454 S 5/2003 Izu et al.  
 6,606,111 B1 8/2003 Kondo et al.  
 D482,536 S \* 11/2003 Williams ..... D6/335  
 6,798,441 B2 9/2004 Hartman et al.  
 6,994,032 B2 2/2006 Conley et al.  
 7,077,464 B2 7/2006 Ford et al.  
 7,092,002 B2 8/2006 Ferren et al.  
 7,119,829 B2 10/2006 Leonard et al.  
 7,126,627 B1 10/2006 Lewis et al.  
 D542,243 S 5/2007 Lewis  
 7,311,047 B2 12/2007 Conley et al.  
 7,352,809 B2 4/2008 Wenger et al.  
 7,455,018 B2 11/2008 Conley et al.  
 7,464,653 B2 12/2008 Dodge  
 D588,560 S 3/2009 Mellingen et al.  
 D588,825 S \* 3/2009 van Lerssel ..... D6/369  
 7,515,174 B1 4/2009 Francisco et al.  
 7,558,823 B2 7/2009 Beers et al.  
 7,679,639 B2 3/2010 Harrell et al.  
 7,707,247 B2 4/2010 Dunn et al.  
 D615,514 S 5/2010 Mellingen et al.  
 7,710,448 B2 5/2010 De Beer et al.  
 7,710,450 B2 5/2010 Dhuey et al.  
 7,746,373 B2 6/2010 Martini  
 7,801,430 B2 9/2010 Gorzynski et al.  
 D626,103 S 10/2010 Buzzard et al.  
 D628,175 S 11/2010 Desai et al.  
 D628,968 S 12/2010 Desai et al.  
 7,847,814 B2 12/2010 Ferren et al.  
 7,855,726 B2 12/2010 Ferren et al.  
 7,884,846 B2 2/2011 Ferren et al.  
 7,884,855 B2 2/2011 Ortiz  
 7,916,165 B2 3/2011 Ferren et al.  
 D637,568 S 5/2011 Desai et al.  
 8,130,256 B2 3/2012 Trachtenberg et al.

8,259,155 B2 9/2012 Marathe et al.  
 8,289,363 B2 10/2012 Buckler  
 8,299,979 B2 10/2012 Rambo et al.  
 8,319,819 B2 11/2012 MacDonald et al.  
 8,330,791 B2 12/2012 Gorzynski et al.  
 8,345,082 B2 1/2013 Tysso  
 8,355,041 B2 1/2013 Chen et al.  
 8,405,704 B2 3/2013 Kobayashi et al.  
 8,407,944 B2 4/2013 Baloga et al.  
 8,446,455 B2 5/2013 Lian et al.  
 8,456,506 B2 6/2013 Ferren et al.  
 8,477,175 B2 7/2013 Shaffer et al.  
 D688,074 S \* 8/2013 Lin ..... D6/708.2  
 8,526,632 B2 9/2013 Cutler  
 8,659,637 B2 2/2014 De Beer et al.  
 8,675,038 B2 3/2014 Wessling  
 8,692,862 B2 4/2014 N'Guessan  
 8,704,867 B2 4/2014 Hubenthal et al.  
 8,773,495 B2 7/2014 Saleh et al.  
 8,797,377 B2 8/2014 Mauchly et al.  
 9,058,055 B2 6/2015 Ferren et al.  
 D739,662 S \* 9/2015 Webb ..... D6/334  
 2004/0008423 A1 1/2004 Driscoll, Jr. et al.  
 2004/0207718 A1 10/2004 Boyden et al.  
 2004/0216647 A1 11/2004 Cvek  
 2005/0062844 A1 3/2005 Ferren et al.  
 2007/0279483 A1 12/2007 Beers et al.  
 2008/0237412 A1 10/2008 Chinuki et al.  
 2009/0207233 A1 8/2009 Mauchly et al.  
 2010/0118112 A1 5/2010 Nimri et al.  
 2010/0208078 A1 8/2010 Tian et al.  
 2011/0134204 A1 6/2011 Rodriguez et al.  
 2015/0150374 A1 \* 6/2015 Jones ..... A47C 1/143  
 297/135

FOREIGN PATENT DOCUMENTS

DE 124355 B 6/1967  
 DE 3331481 A1 3/1985  
 DE 8707699 U1 9/1987  
 DE 4207742 A1 9/1993  
 DE 102008017995 A1 10/2009  
 EP 740177 A2 10/1996  
 EP 1610555 A1 12/2005  
 FR 2758063 A1 7/1998  
 GB 206400 A 11/1923  
 GB 2396552 A 3/2004  
 GB 2353429 A 6/2004  
 GB 2484944 A 5/2010  
 JP 4344789 A 12/1992  
 WO WO1998047291 A2 10/1998  
 WO WO200122848 A2 4/2001  
 WO WO2008101117 A1 8/2008  
 WO WO2009120814 A2 10/2009  
 WO WO2010033036 A1 3/2010  
 WO WO2010104765 A1 9/2010

\* cited by examiner

Fig. 1

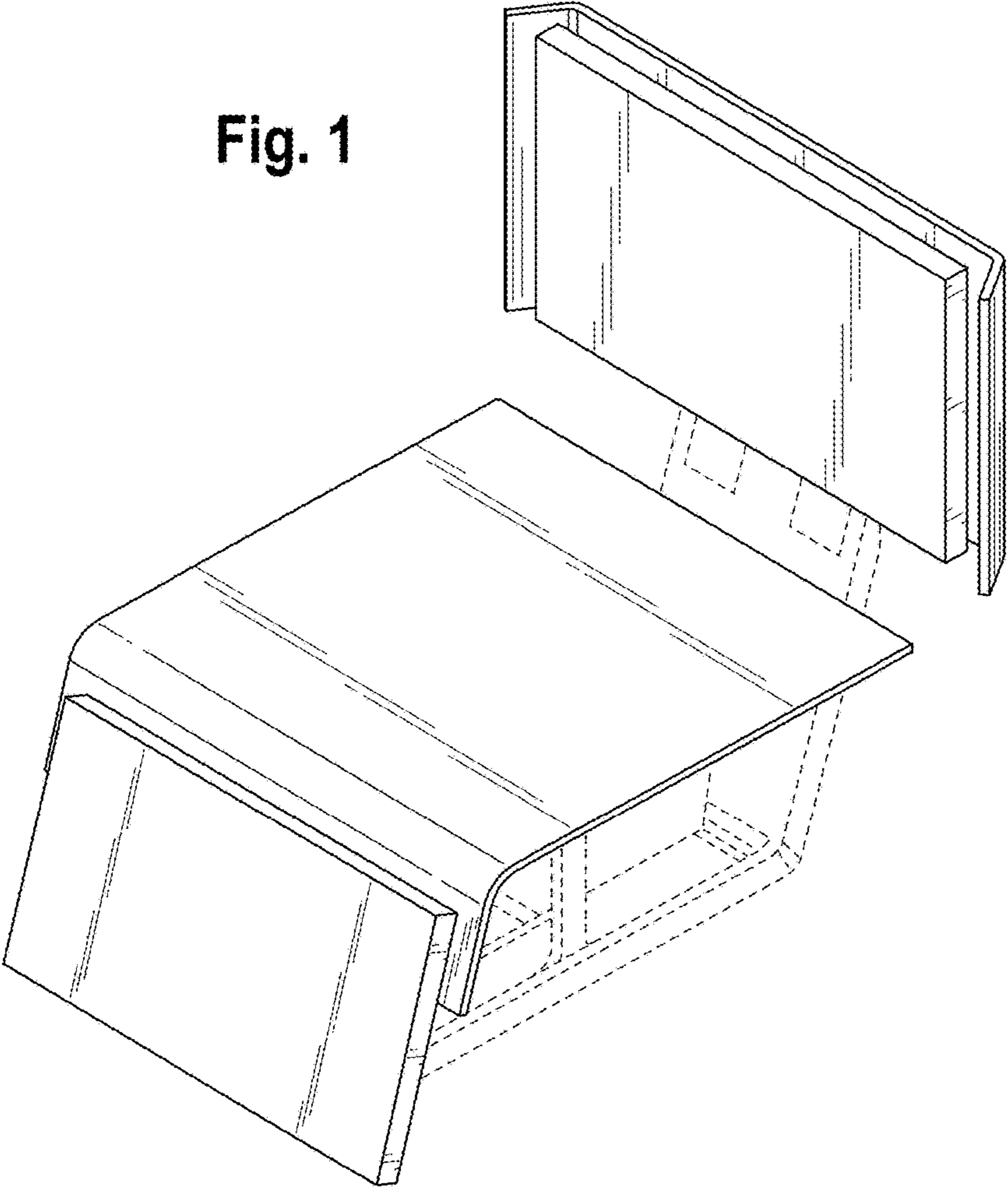


Fig. 2

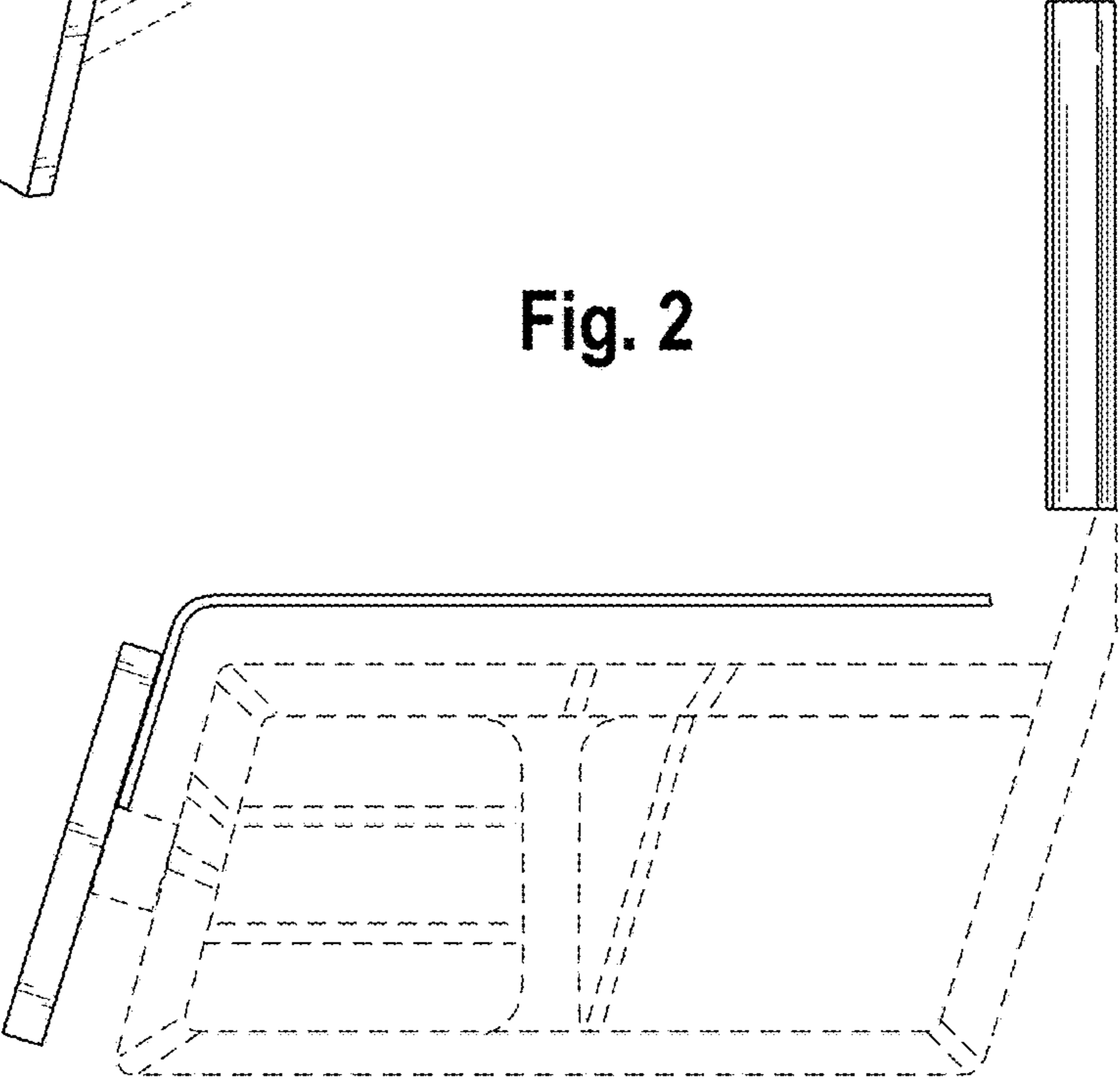


Fig. 3

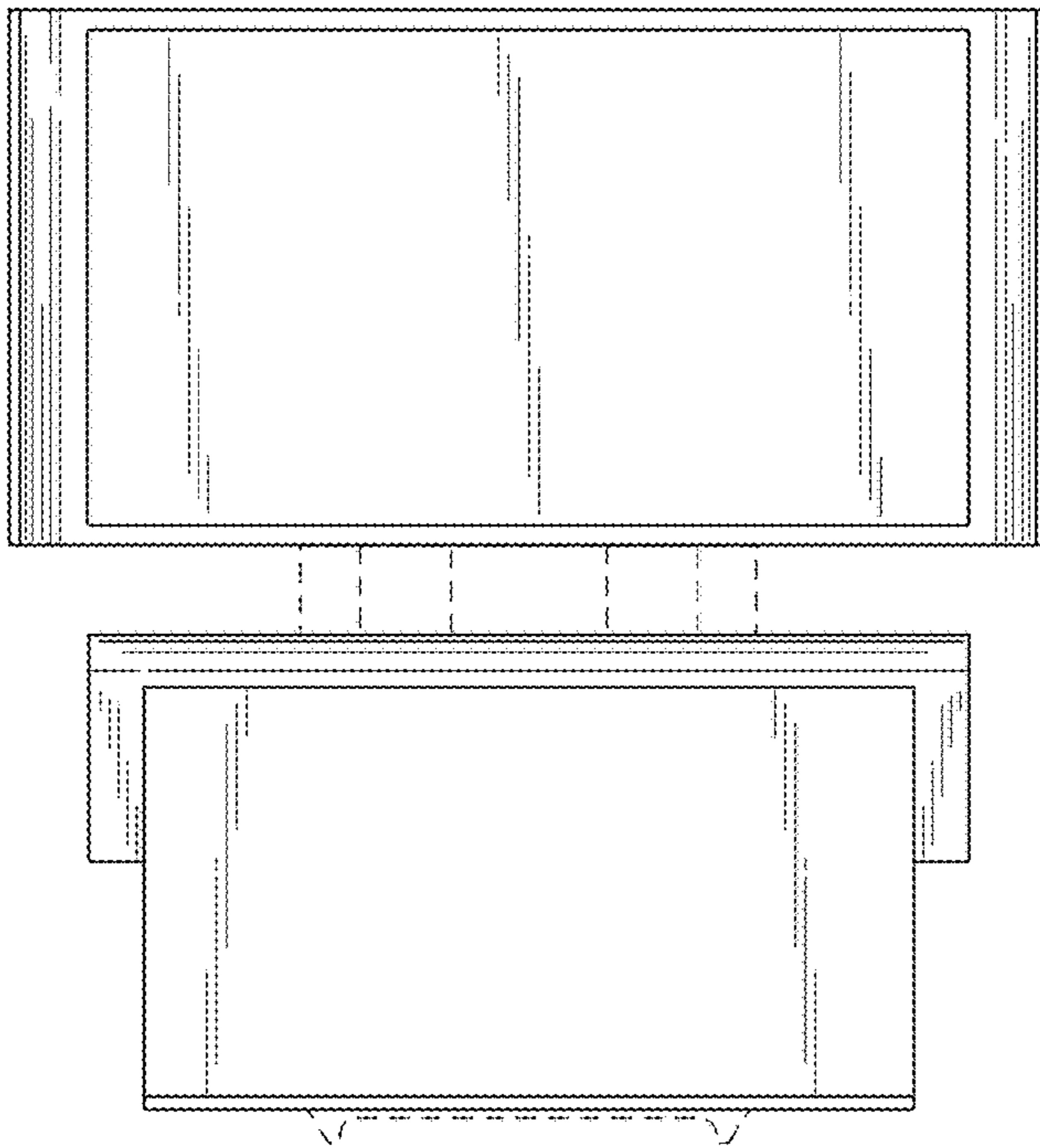


Fig. 4

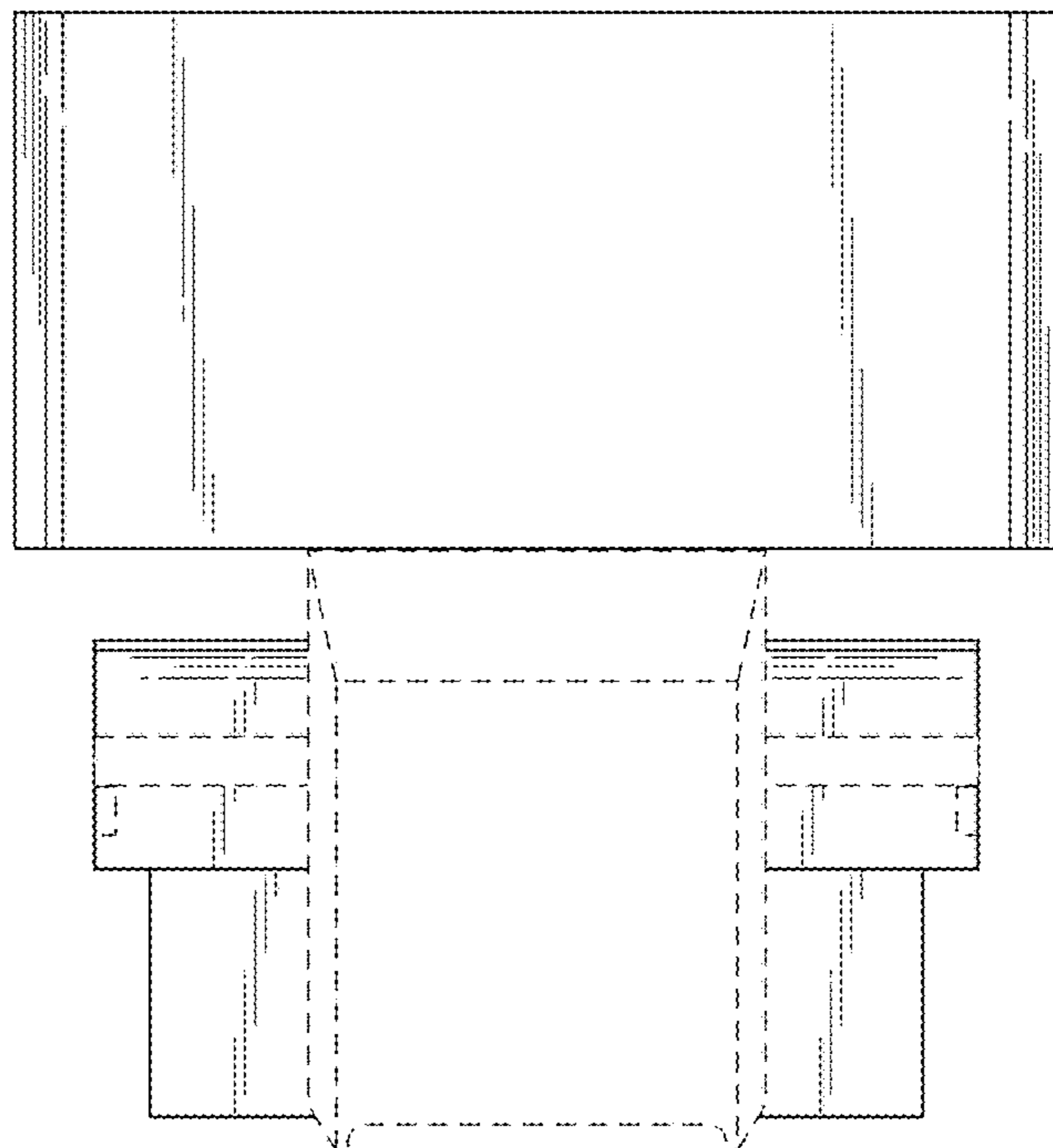


Fig. 5

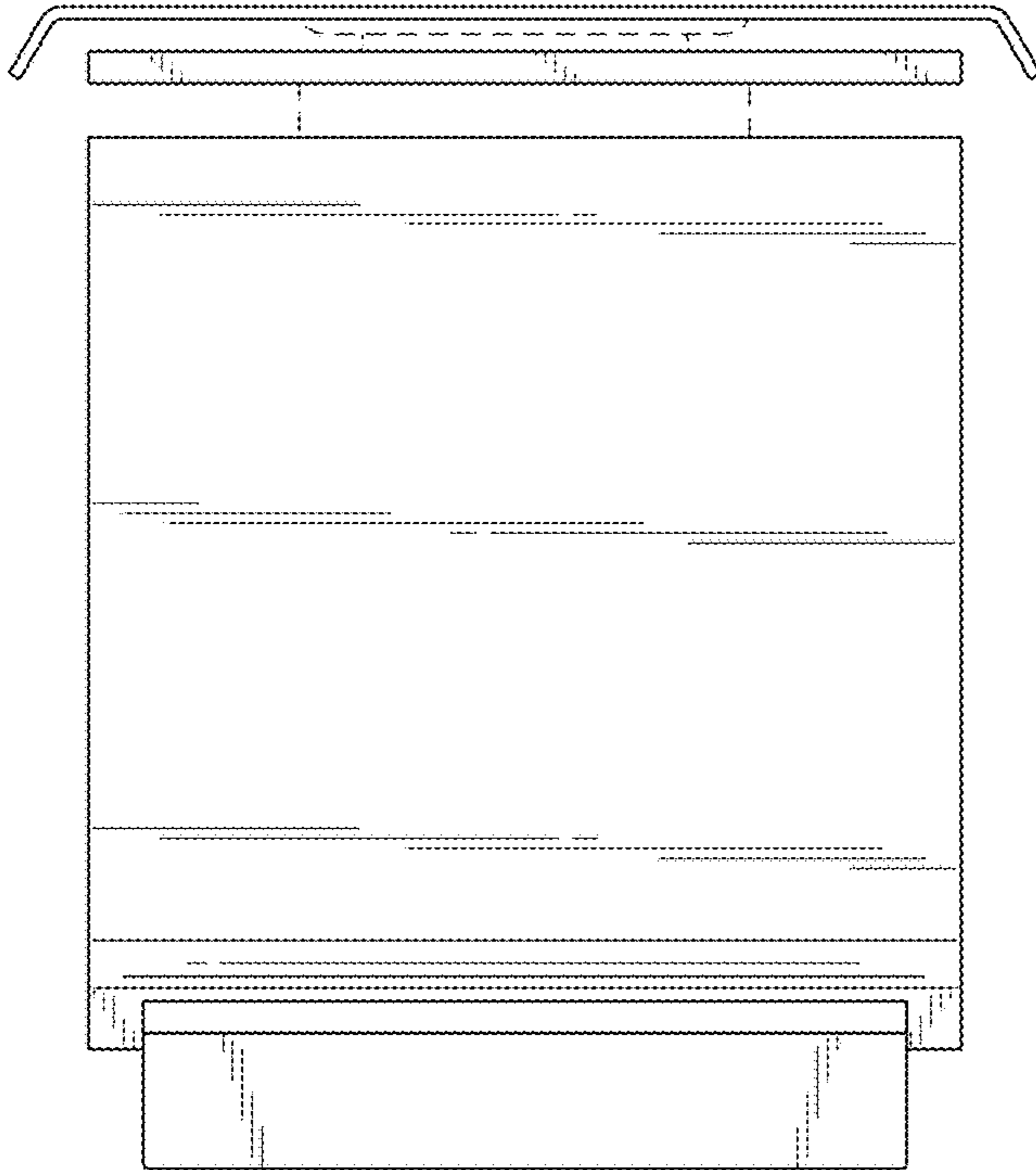


Fig. 6

