



US00D808196S

(12) **United States Design Patent**  
**Schumacher et al.**

(10) **Patent No.:** **US D808,196 S**  
(45) **Date of Patent:** **\*\* Jan. 23, 2018**

(54) **TRAVEL SLEEPER**  
(71) Applicant: **Travel Sleeper, Inc.**, Tacoma, WA (US)  
(72) Inventors: **Alden H. Schumacher**, Tacoma, WA (US); **Marion H. MacCuaig**, Palm Desert, CA (US)  
(73) Assignee: **TRAVEL SLEEPER, INC.**, Tacoma, WA (US)  
(\*\*) Term: **15 Years**

D716,570 S \* 11/2014 Keen ..... D6/349  
9,226,587 B2 \* 1/2016 Halimi ..... A47C 16/00  
D758,747 S \* 6/2016 Lenz ..... D6/349  
2005/0109346 A1 \* 5/2005 Cohen ..... A47C 20/026  
128/845  
2005/0121962 A1 \* 6/2005 Gold ..... A47D 15/006  
297/397  
2016/0081482 A1 \* 3/2016 Schumacher ..... A47G 9/1054  
5/640  
2016/0151221 A1 \* 6/2016 Mount ..... A47C 7/38  
5/638  
2016/0331126 A1 \* 11/2016 Mills ..... A47C 7/383

(21) Appl. No.: **29/580,109**  
(22) Filed: **Oct. 5, 2016**  
(51) **LOC (11) Cl.** ..... **06-09**  
(52) **U.S. Cl.**  
USPC ..... **D6/601**  
(58) **Field of Classification Search**  
USPC ..... D6/333, 349, 355, 375, 388, 512, 563,  
D6/564, 595, 596, 601, 604, 611, 707,  
D6/715, 716, 716.1; D24/183-185, 234;  
D21/803, 804, 805, 809; 5/401, 420,  
5/600, 630, 631, 632, 633, 635, 636, 638,  
5/639, 646, 652, 652.1, 655, 703, 730;  
297/1, 2, 4, 93, 180.11, 195.1, 195.11,  
297/195.13, 393, 397, 452.12, 452.14,  
297/452.15, 452.21, 452.24, 452.26,  
297/452.48, 452.62, 482  
CPC ..... A47G 9/10; A47G 9/1009; A47G 9/1027;  
A47G 9/1045; A47G 9/1063; A47G  
9/1072; A47G 9/1081  
See application file for complete search history.

**OTHER PUBLICATIONS**

Travel Sleeper Oct. 12, 2015, [online], [site visited Jul. 28, 2017]. Available from Internet, <URL: <https://www.facebook.com/1travelsleeper/>>.\*

\* cited by examiner

*Primary Examiner* — Eric L Goodman  
*Assistant Examiner* — Sanjeev Paul  
(74) *Attorney, Agent, or Firm* — Lowe Graham Jones PLLC

(56) **References Cited**

**U.S. PATENT DOCUMENTS**

6,151,734 A \* 11/2000 Lawrie ..... A47C 20/026  
5/622  
D683,463 S \* 5/2013 Huggins ..... D24/184

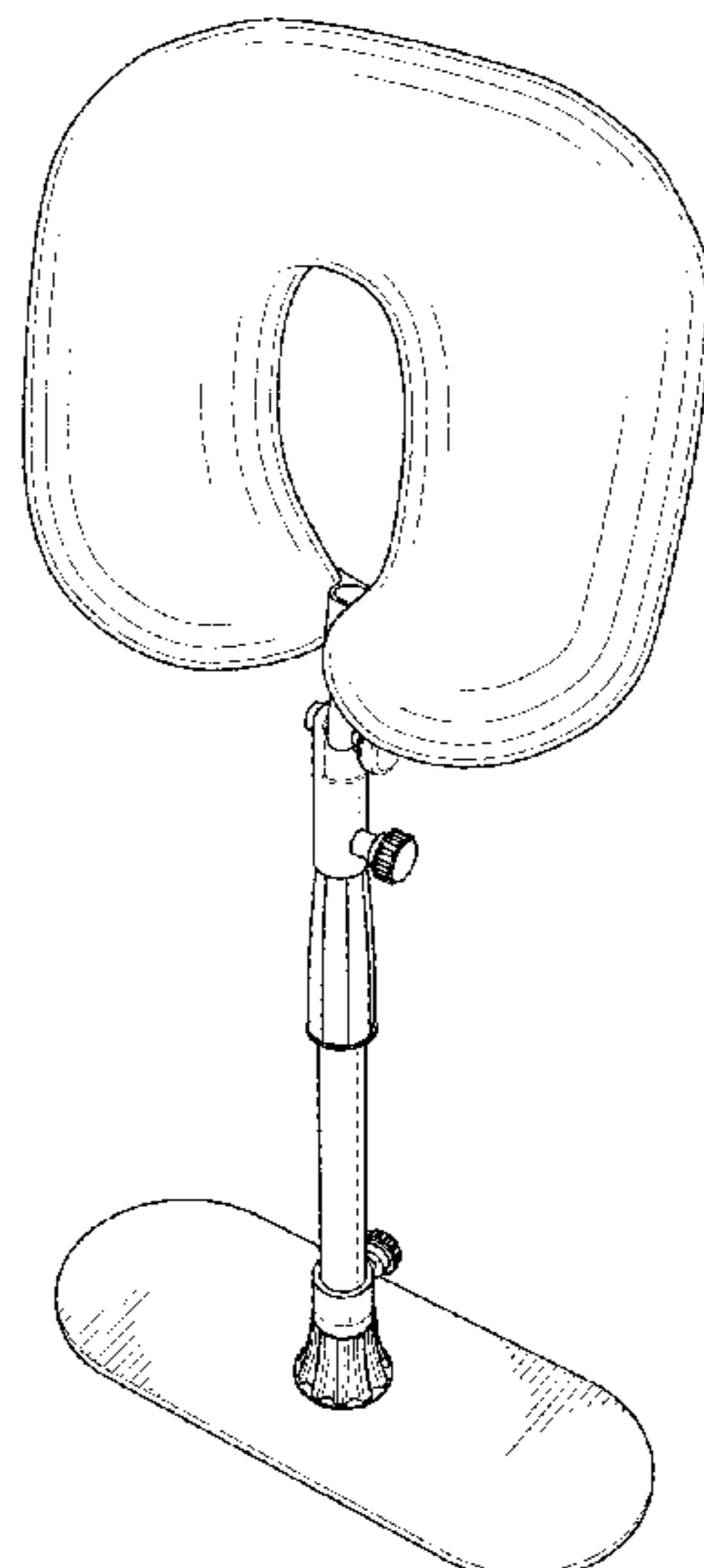
(57) **CLAIM**

I claim the ornamental design for the travel sleeper, as shown.

**DESCRIPTION**

FIG. 1 is a front top perspective view of the travel sleeper, showing our new design.  
FIG. 2 is a front view of the travel sleeper.  
FIG. 3 is a rear view of the travel sleeper.  
FIG. 4 is a left side view of the travel sleeper.  
FIG. 5 is a right side view of the travel sleeper.  
FIG. 6 is a top view of the travel sleeper; and,  
FIG. 7 is a bottom view of the travel sleeper.

**1 Claim, 6 Drawing Sheets**



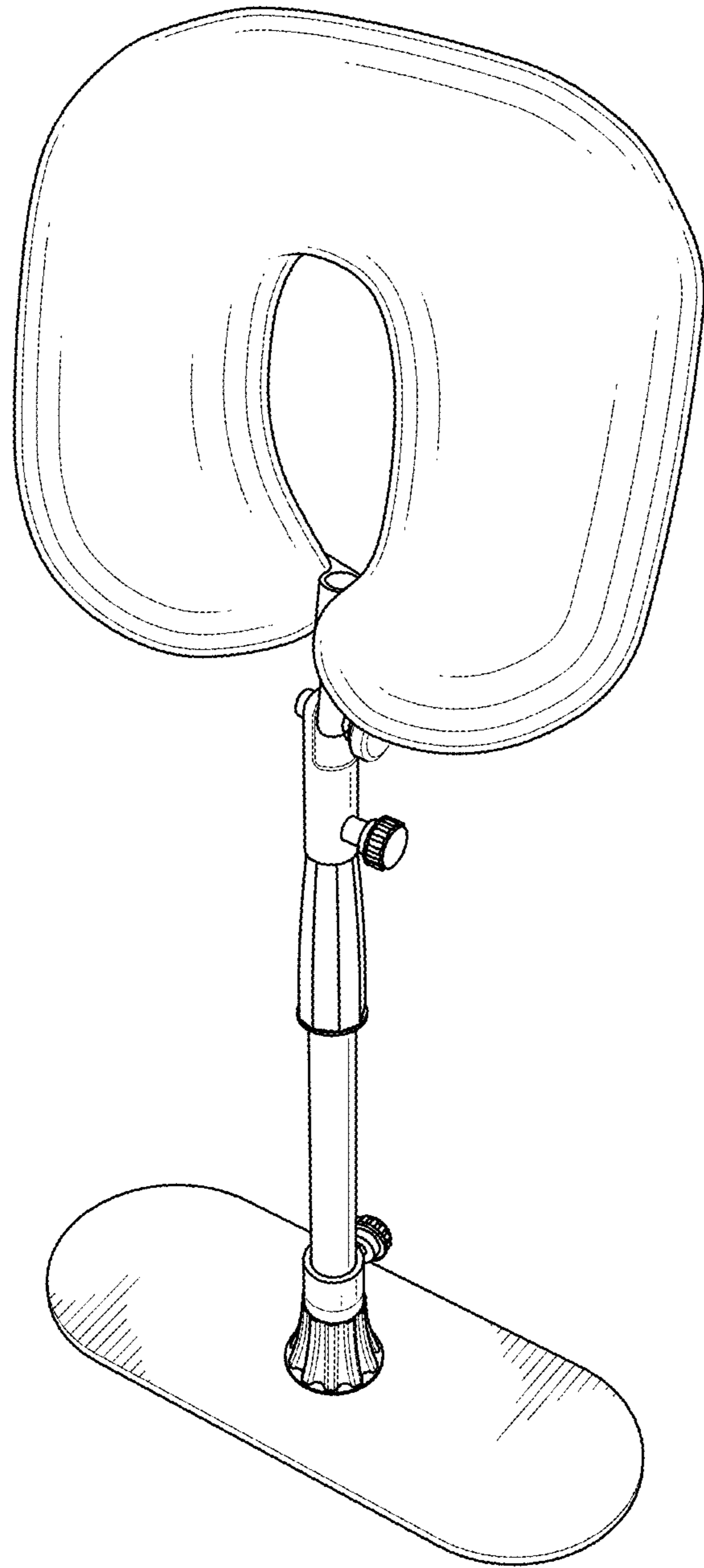


FIG. 1

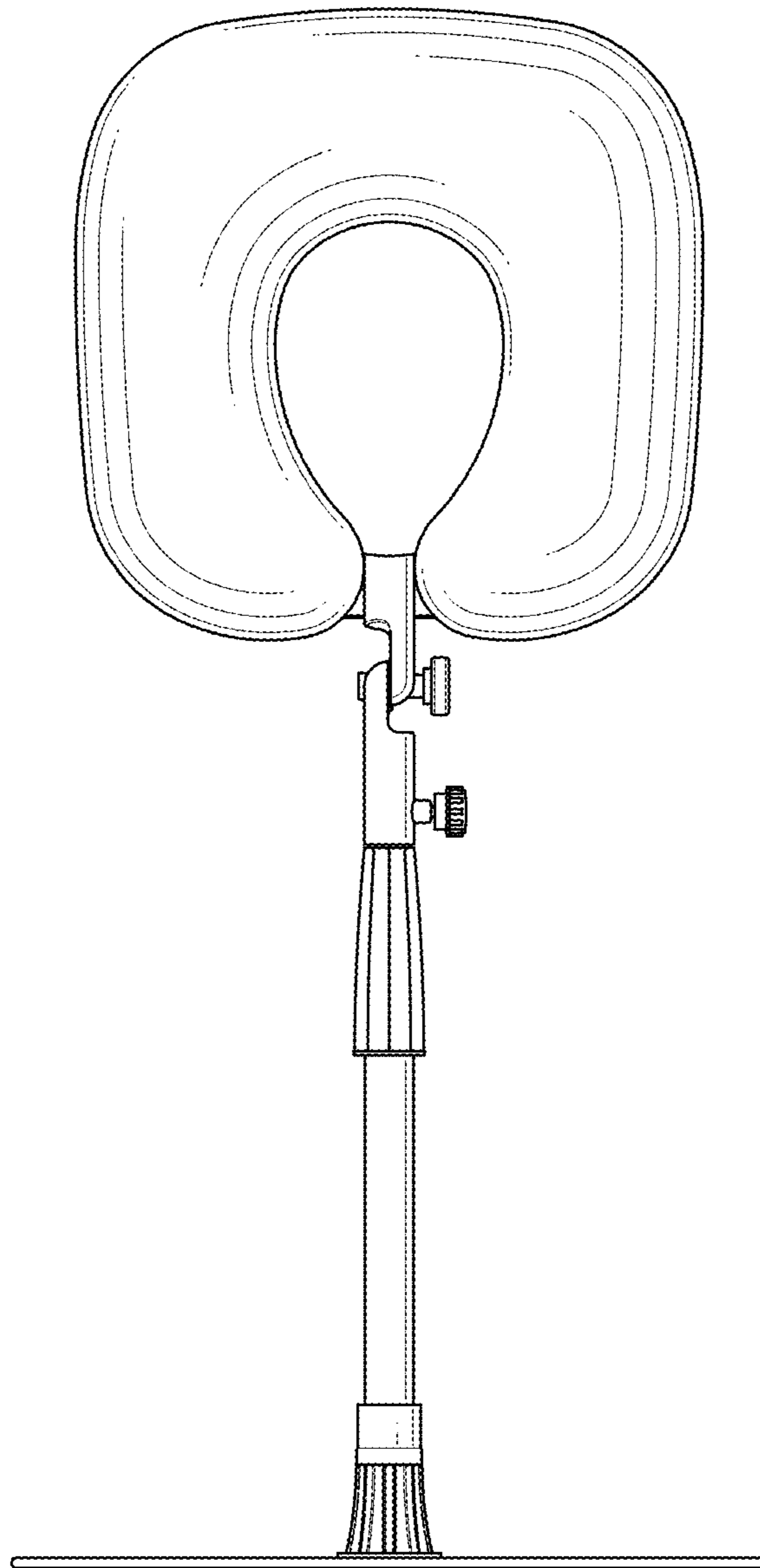


FIG. 2

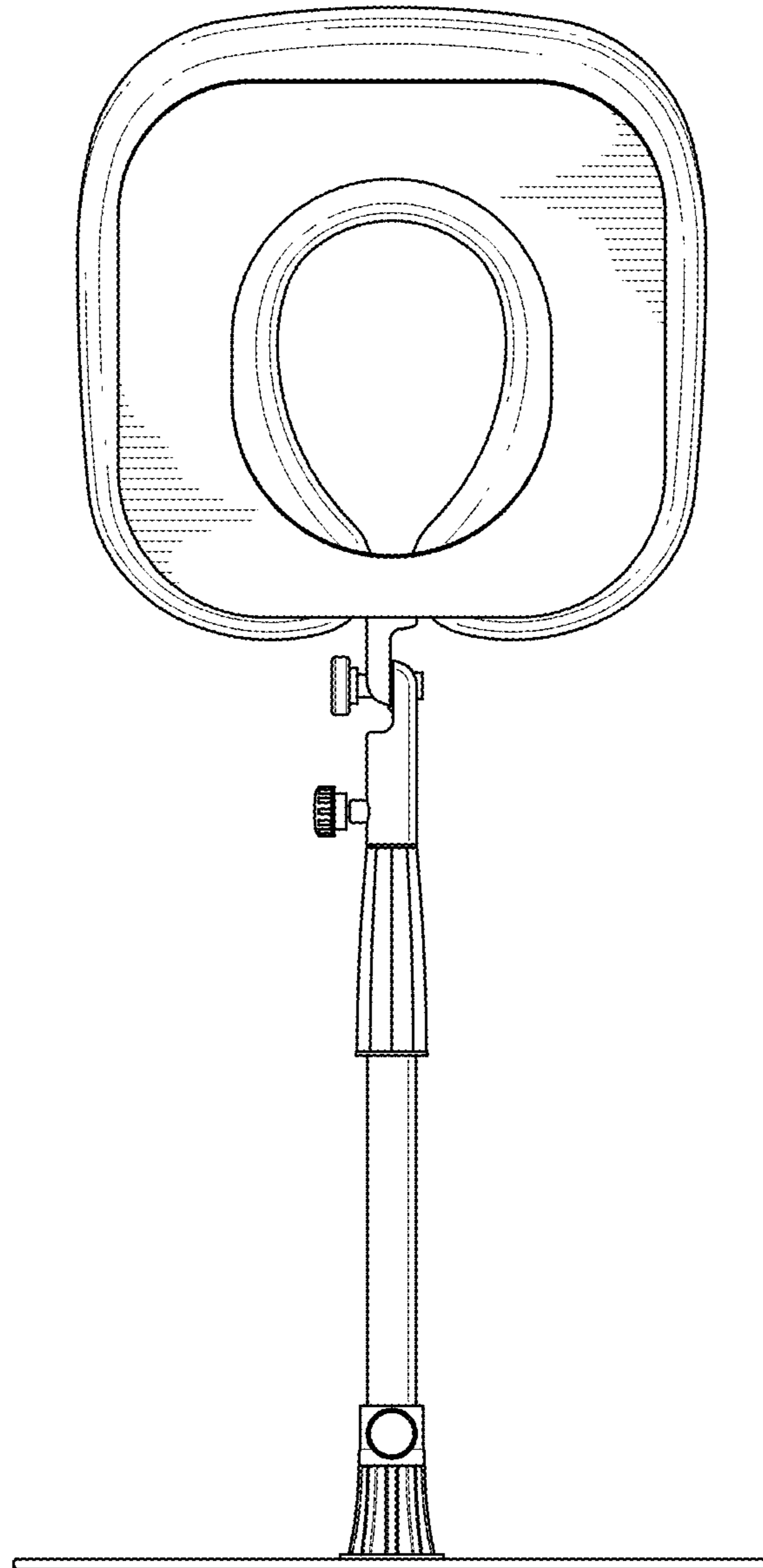


FIG. 3

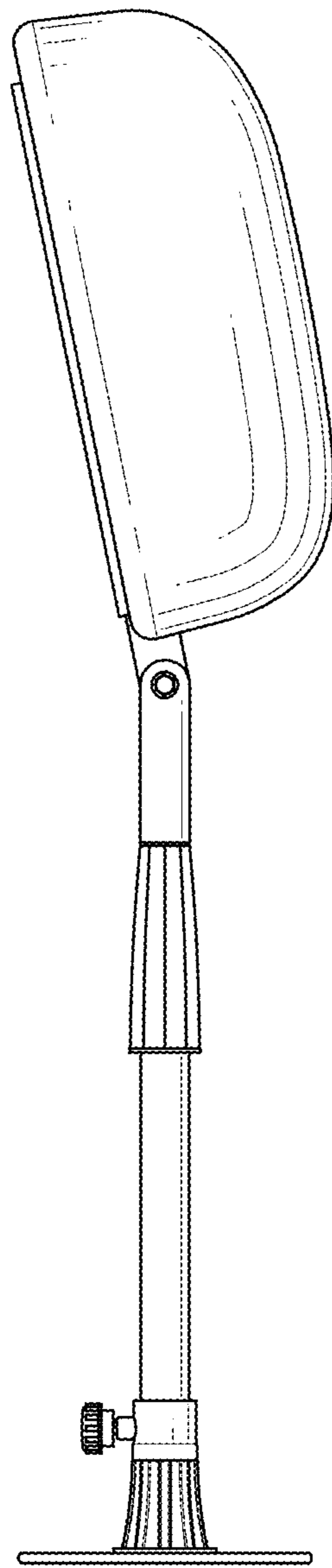


FIG. 4

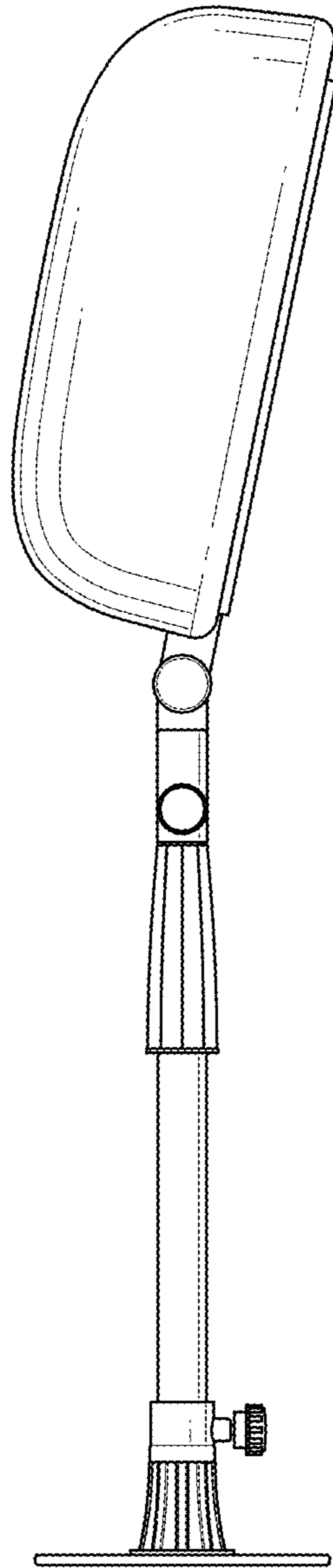


FIG. 5

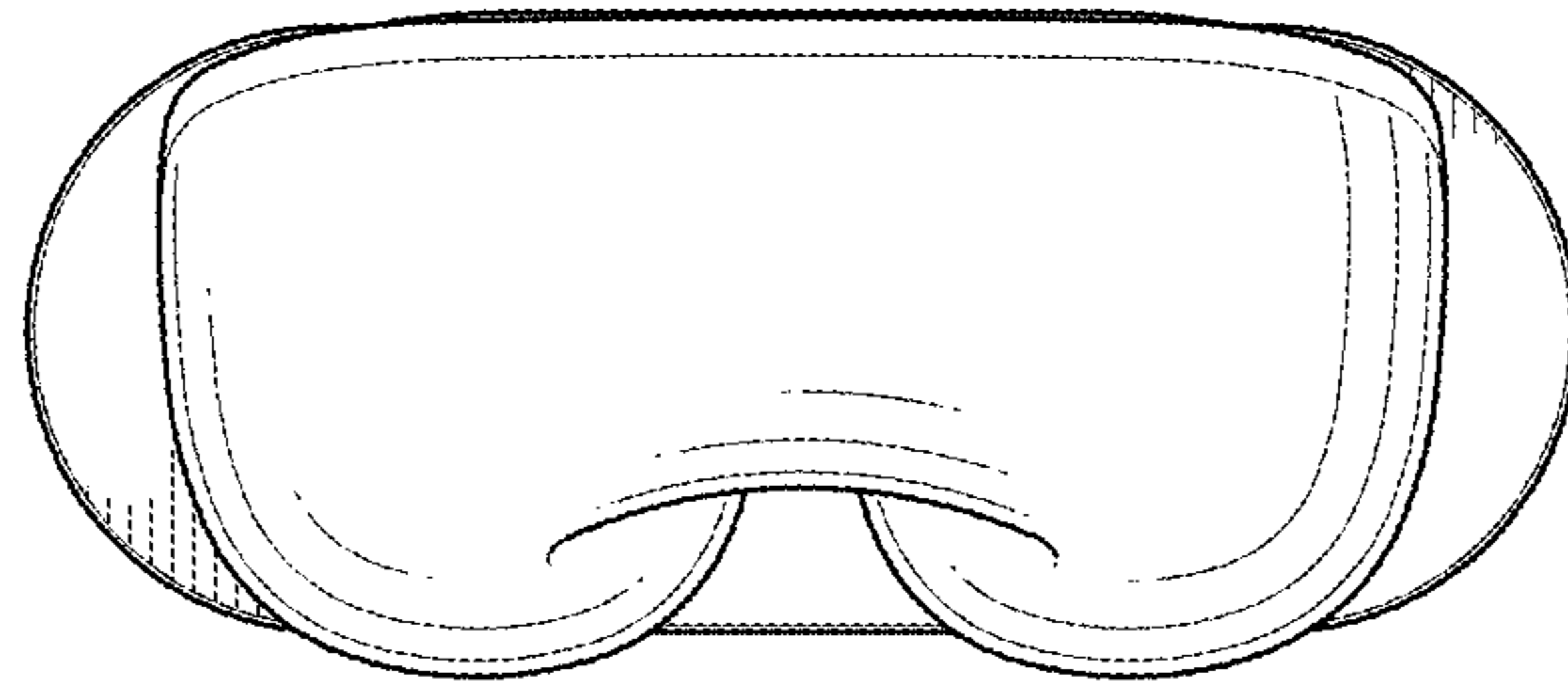


FIG. 6

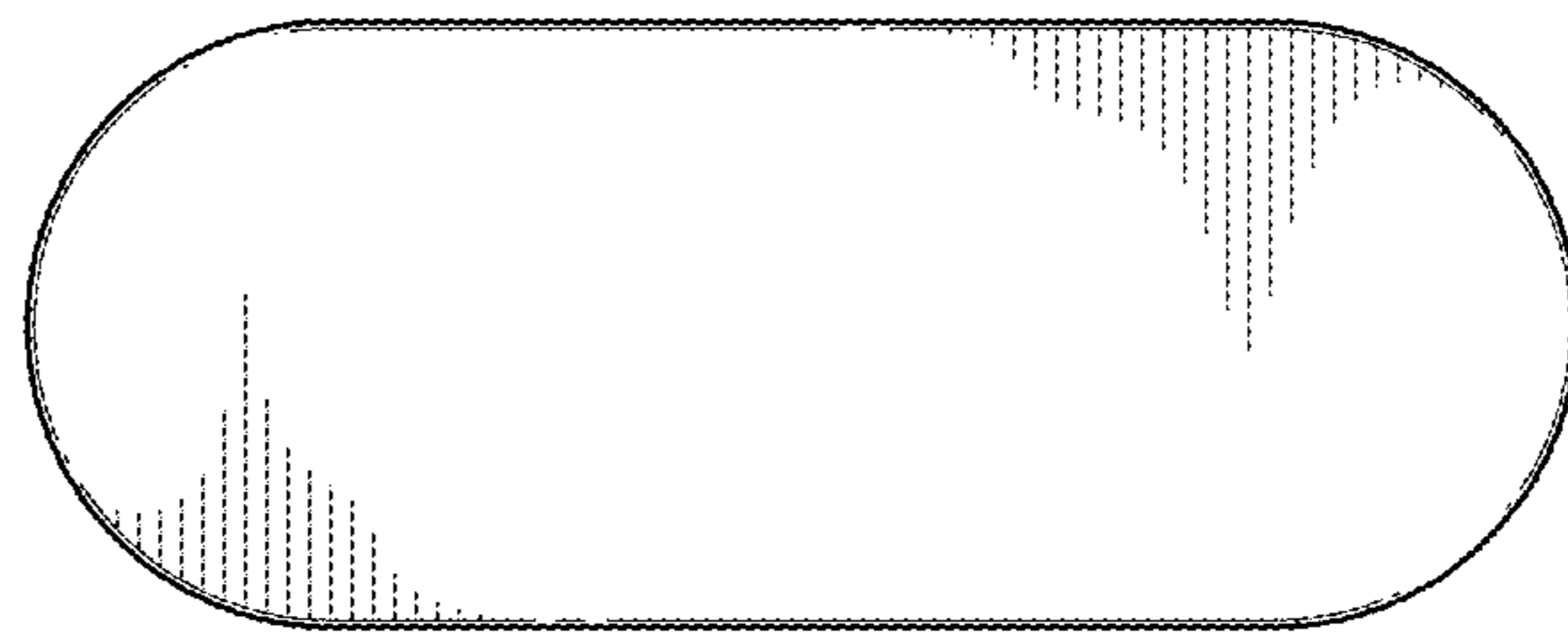


FIG. 7