



US00D808193S

(12) **United States Design Patent** (10) **Patent No.:** **US D808,193 S**
Sun (45) **Date of Patent:** **** Jan. 23, 2018**

(54) **JEWELRY ORGANIZER**
(71) Applicant: **Caroline Sun**, Los Angeles, CA (US)
(72) Inventor: **Caroline Sun**, Los Angeles, CA (US)
(**) Term: **15 Years**
(21) Appl. No.: **29/577,359**
(22) Filed: **Sep. 12, 2016**
(51) **LOC (11) Cl.** **06-04**
(52) **U.S. Cl.**
USPC **D6/559**
(58) **Field of Classification Search**
USPC D6/559, 553, 567, 569-572; D3/294;
206/6.1, 566; 211/13.1, 85.2, 86.01,
211/87.01; D10/106.95
CPC A44C 25/00; A44C 17/043; A45C
2013/1015; A45C 11/16; A45C 13/005;
F16B 45/02; F16B 45/06; A47F 7/02;
A47F 5/0807; A47F 5/132; A47F 7/022
See application file for complete search history.

(56) **References Cited**

U.S. PATENT DOCUMENTS

D416,736 S * 11/1999 Bergin D6/559
D418,347 S * 1/2000 Dragonette D6/559

D497,069 S * 10/2004 Aisley D6/559
D682,592 S * 5/2013 McKenna D6/559
2006/0180481 A1* 8/2006 McGaughey, Sr. A47F 7/02
206/6.1

* cited by examiner

Primary Examiner — Wan Laymon
Assistant Examiner — Mark Booker
(74) *Attorney, Agent, or Firm* — Michael N. Cohen;
Cohen IP Law Group PC

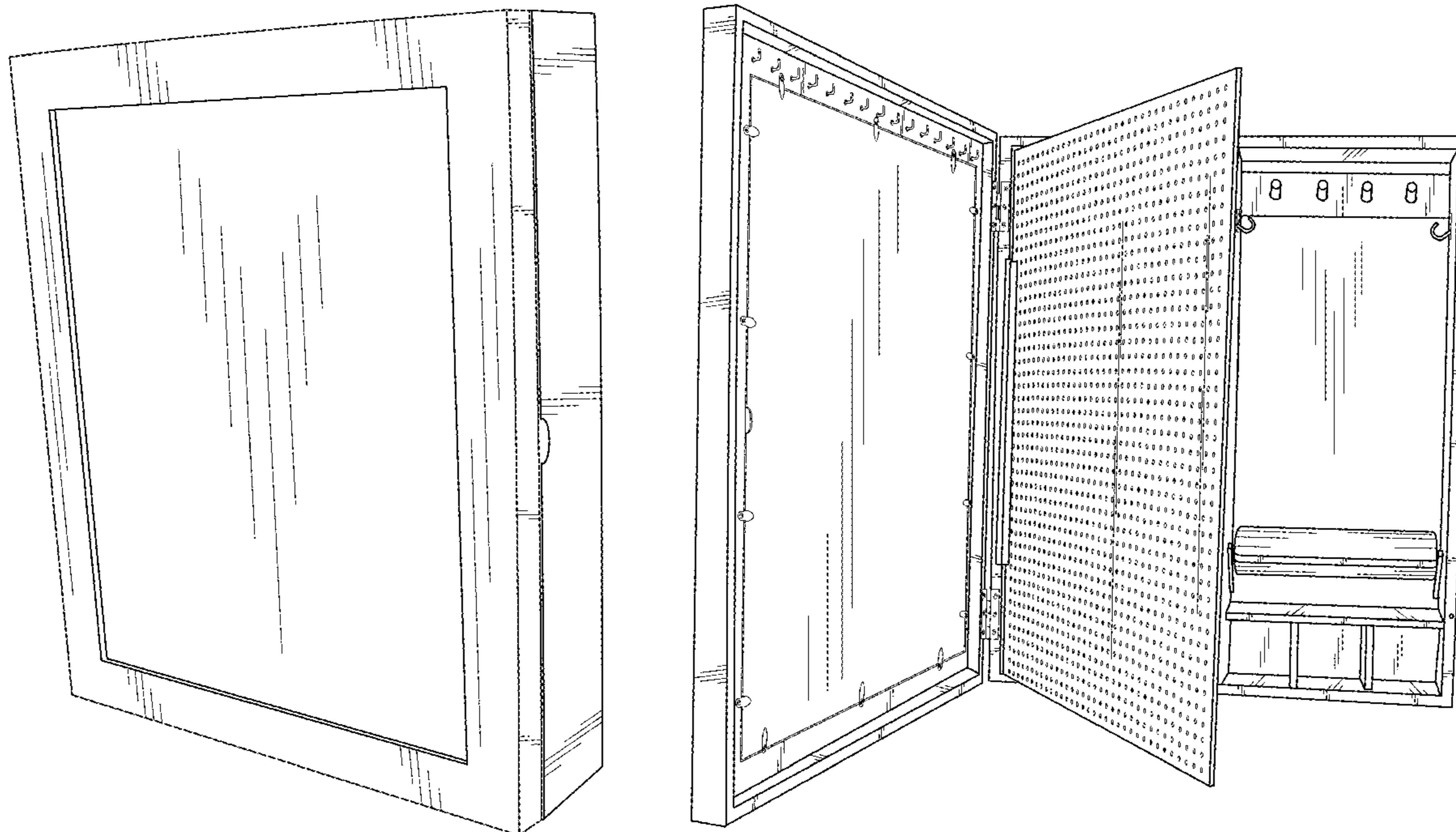
(57) **CLAIM**

I claim the ornamental design for the jewelry organizer, as shown and described.

DESCRIPTION

FIG. 1 is front perspective view of the jewelry organizer; FIG. 2 is a front view of FIG. 1; FIG. 3 is a back view of FIG. 1; FIG. 4 is a side view of FIG. 1; FIG. 5 is a top view of FIG. 1; and FIG. 6 is a side perspective view in open condition of FIG. 1. FIG. 7 is a side perspective view in open condition of FIG. 1; and, FIG. 8 is a side perspective view in open condition of FIG. 1. The broken line showing in the figures is included for the purpose of illustrating portions of the jewelry organizer and form no part of the claimed design.

1 Claim, 7 Drawing Sheets



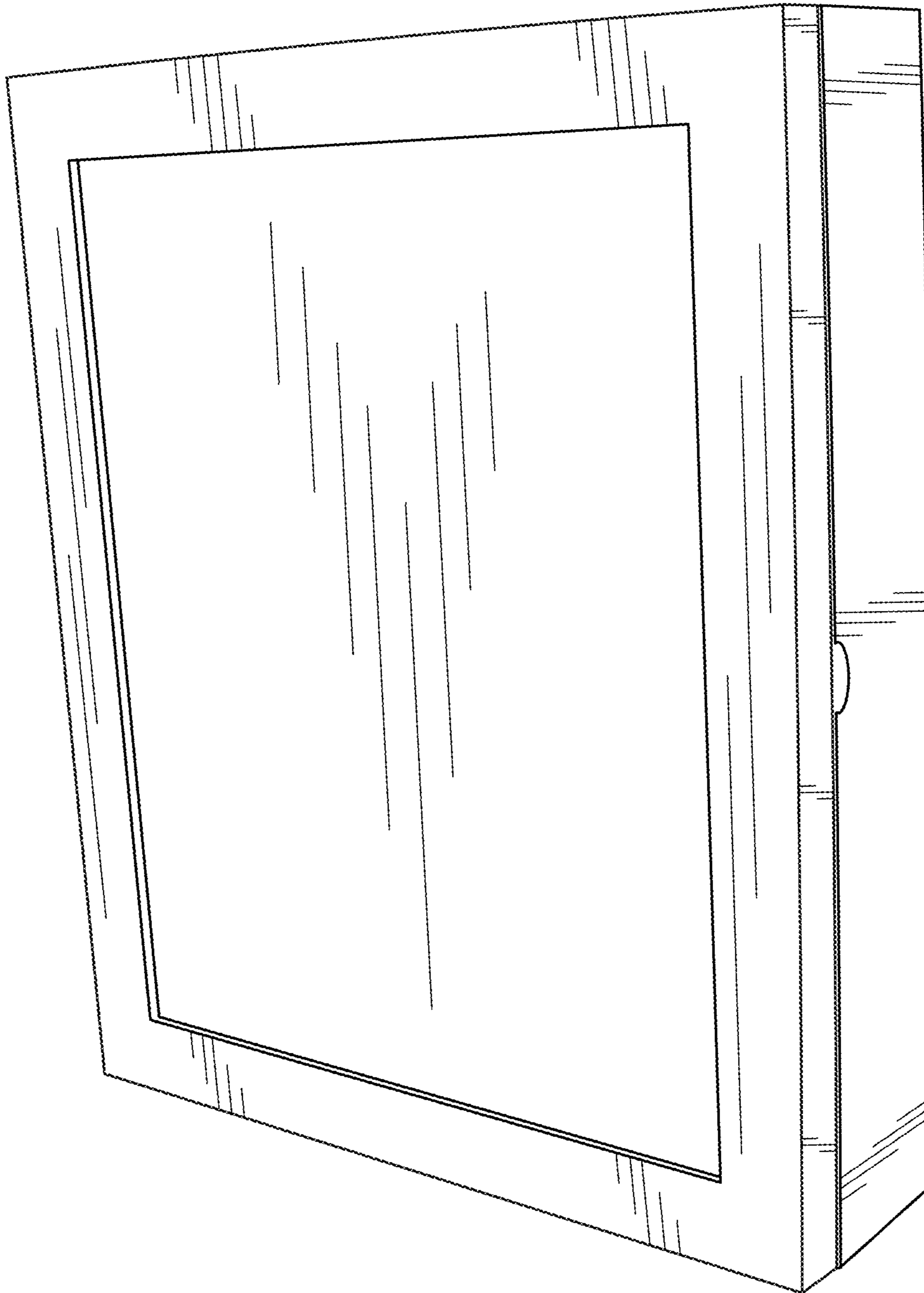


FIG. 1

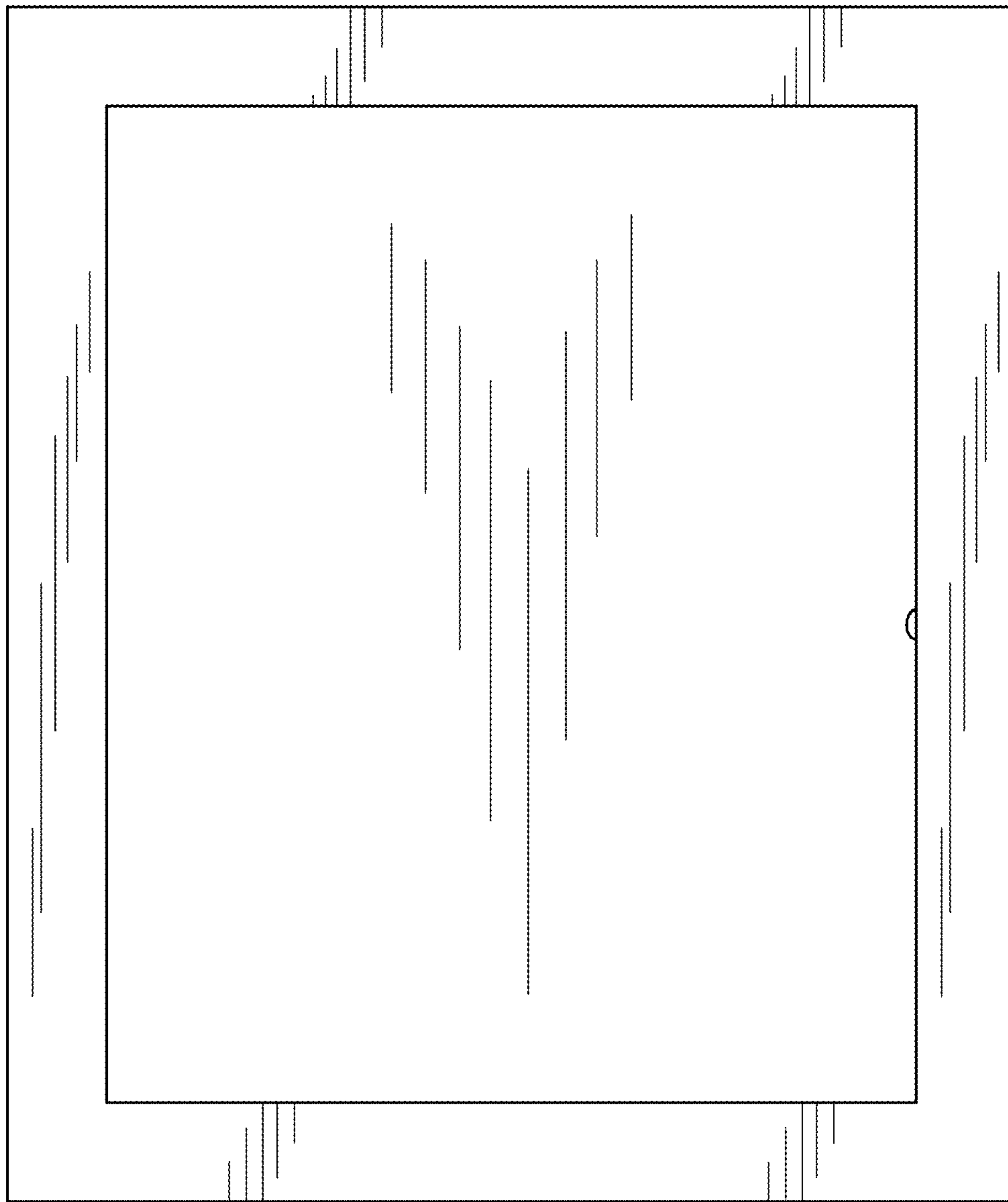


FIG. 2

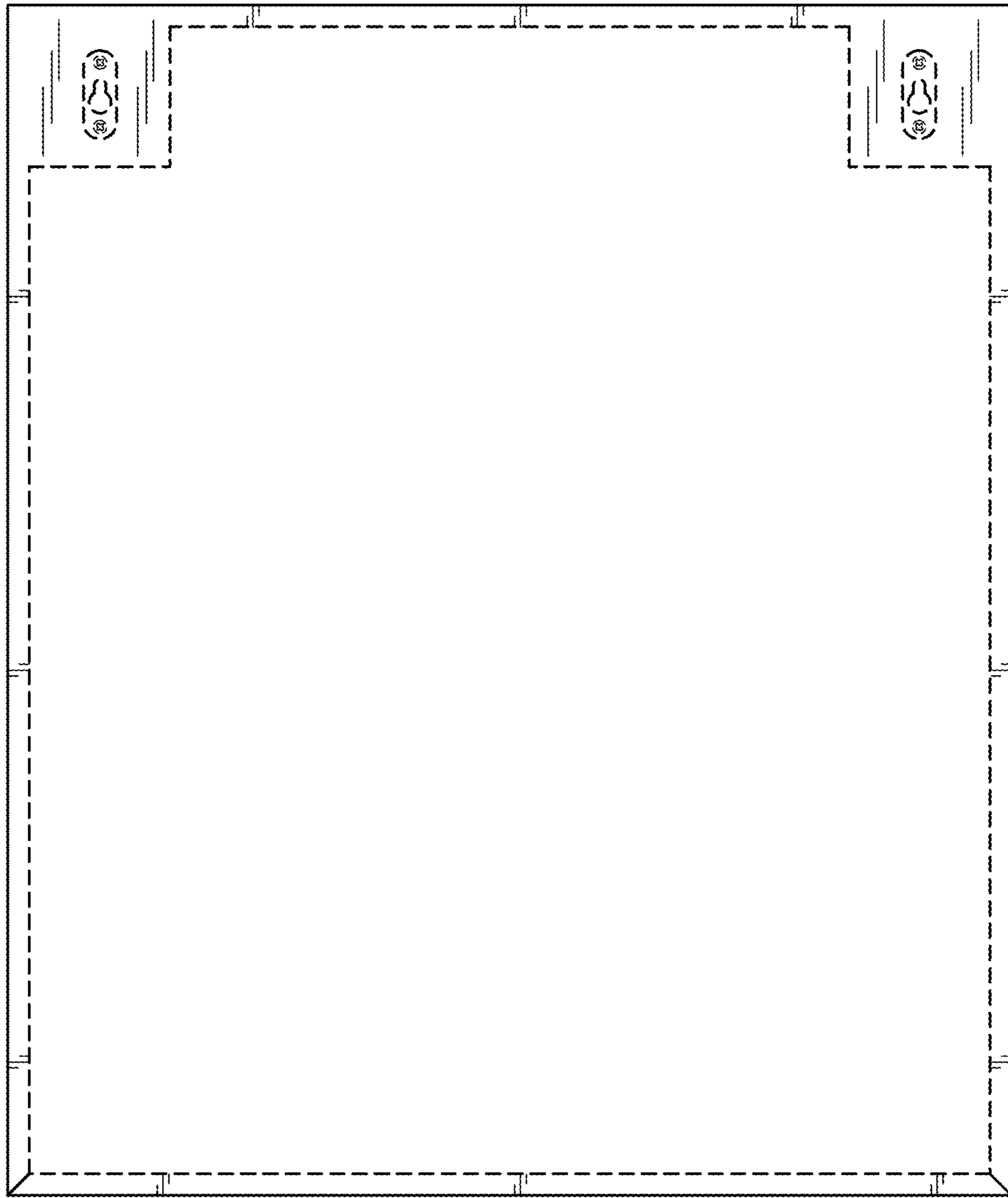


FIG. 3

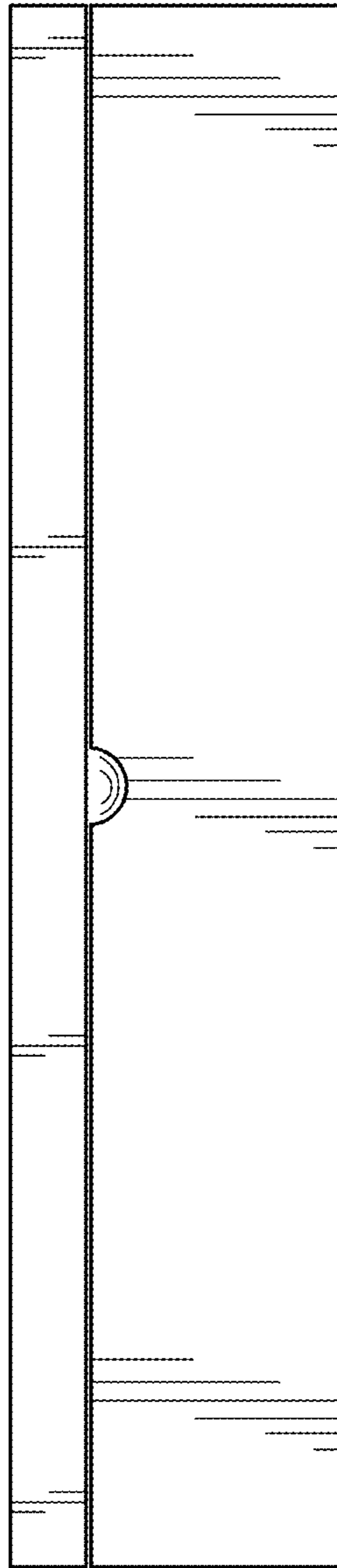


FIG. 4

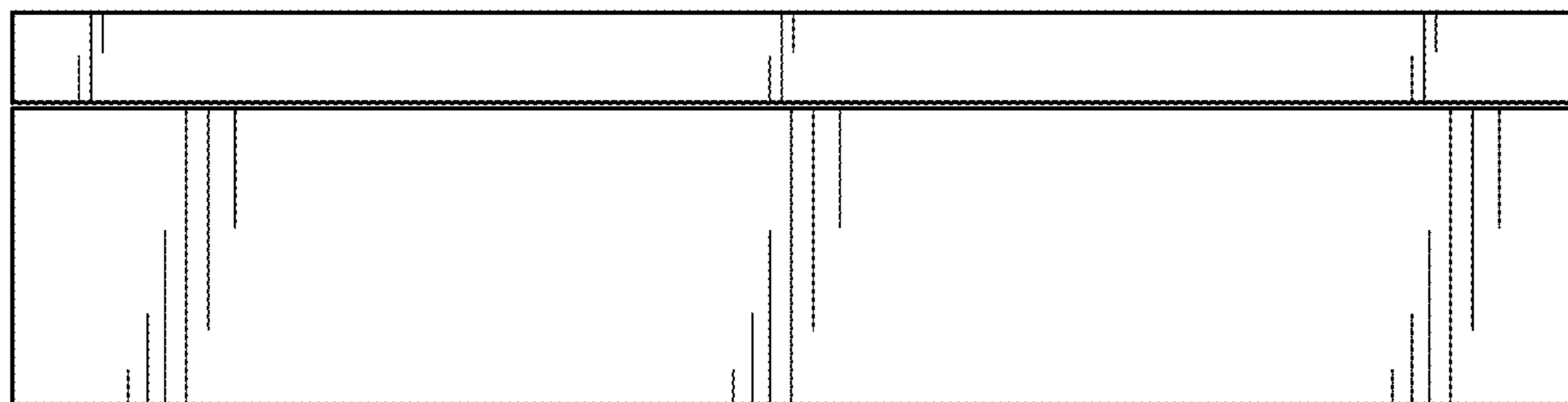


FIG. 5

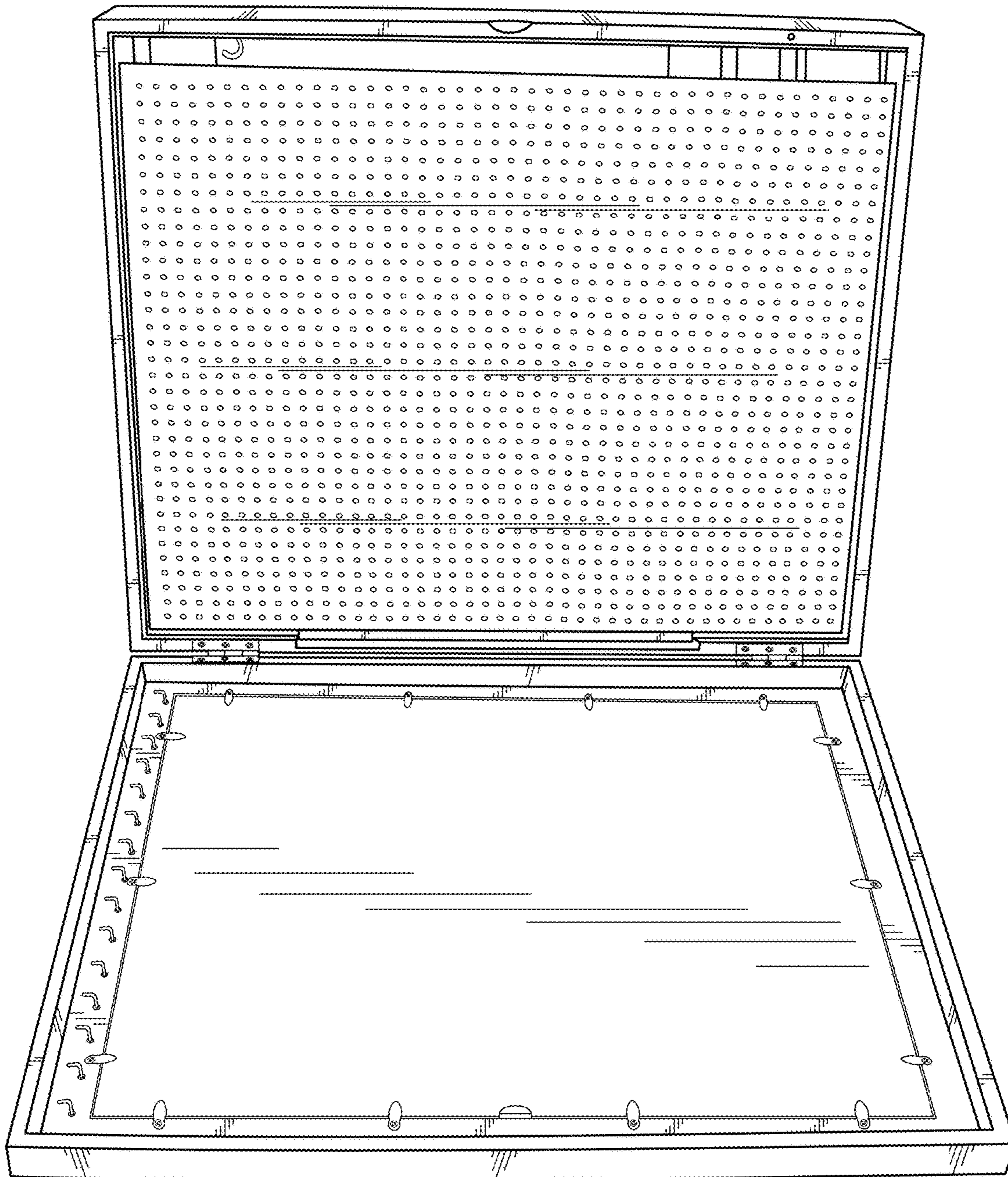


FIG. 6

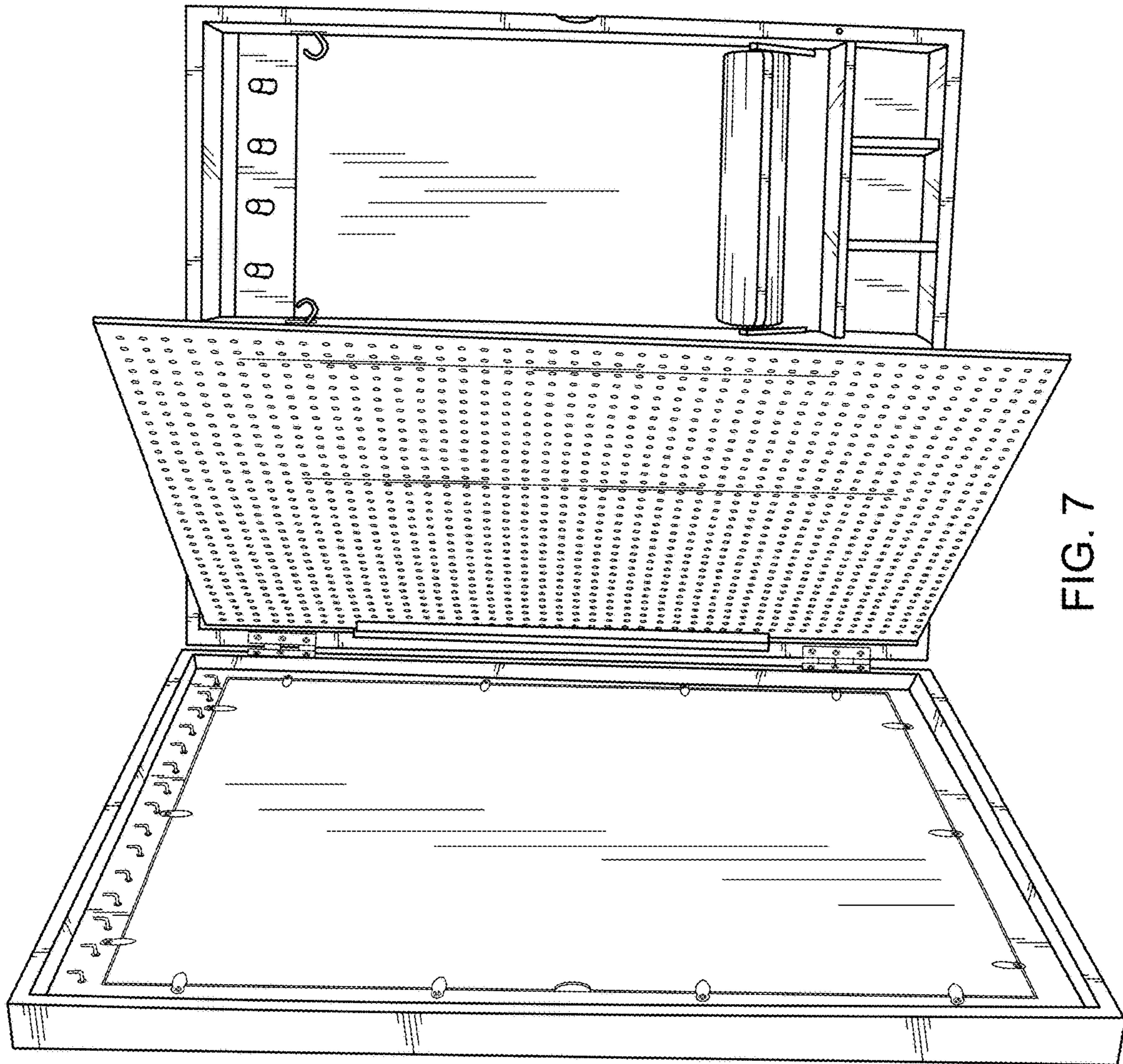


FIG. 7

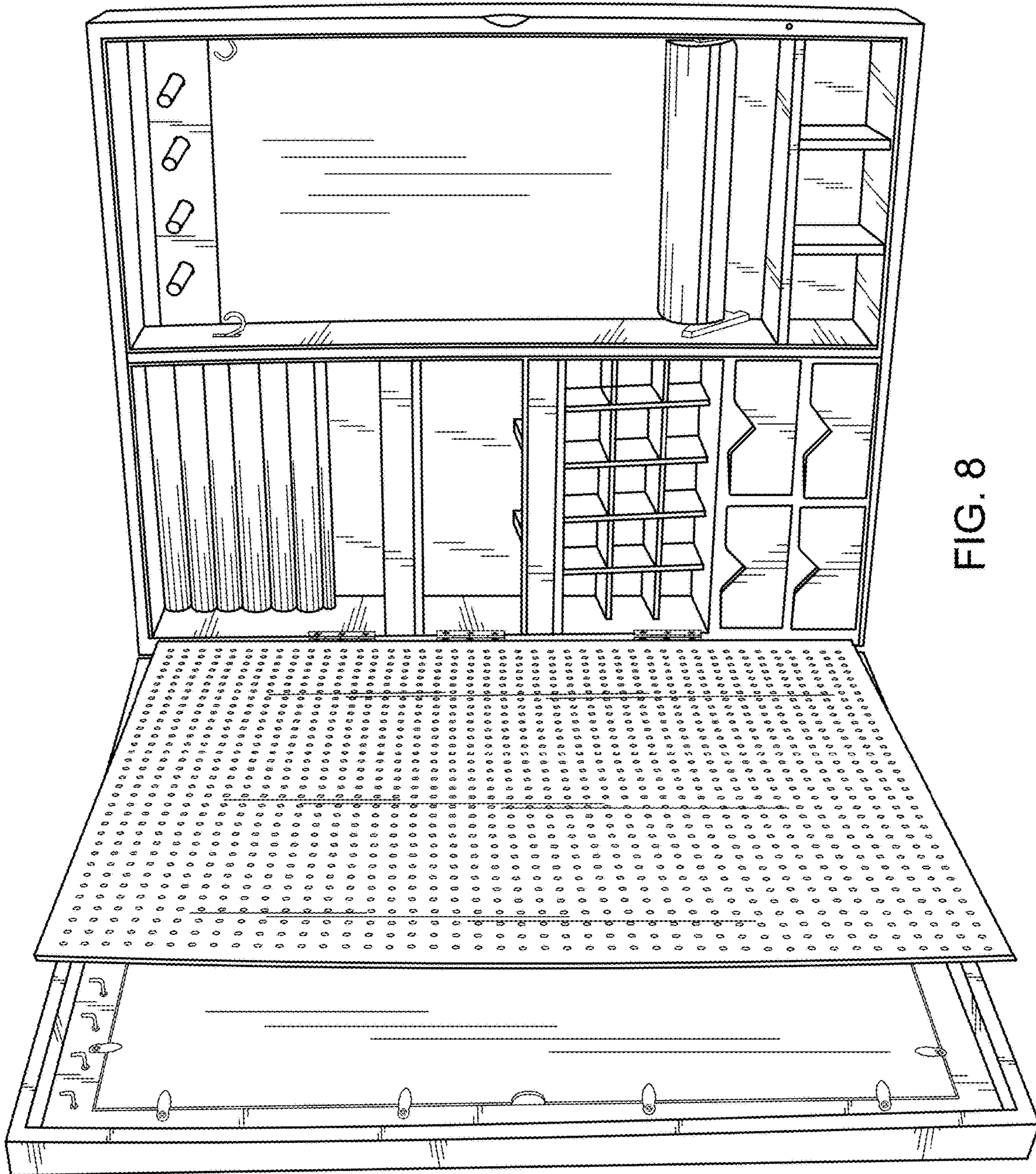


FIG. 8