



US00D808192S

(12) **United States Design Patent**  
**Adam et al.**

(10) **Patent No.:** **US D808,192 S**  
(45) **Date of Patent:** **\*\* Jan. 23, 2018**

- (54) **MAGNETIC FIREARM HOLDER**
- (71) Applicant: **A Z Industries, Inc.**, Ash Flat, AR (US)
- (72) Inventors: **Jim Adam**, Ash Flat, AR (US); **Mark Miller**, Ash Flat, AR (US)
- (73) Assignee: **A Z Industries, Inc.**, Highland, AR (US)
- (\*\*) Term: **15 Years**
- (21) Appl. No.: **29/571,716**
- (22) Filed: **Jul. 21, 2016**
- (51) **LOC (11) Cl.** ..... **06-04**
- (52) **U.S. Cl.**  
USPC ..... **D6/552**
- (58) **Field of Classification Search**  
USPC ..... D6/552  
CPC ..... F41A 23/18; B60R 7/14  
See application file for complete search history.

- 5,155,659 A \* 10/1992 Kunert ..... G06F 3/0238  
220/375
- 5,572,082 A \* 11/1996 Sokol ..... H03H 9/0514  
310/348
- 5,877,953 A \* 3/1999 Clendenen ..... G06F 1/1626  
700/17
- 5,905,632 A \* 5/1999 Seto ..... G06F 1/1616  
361/679.55
- D434,393 S \* 11/2000 Gehr ..... D13/174
- D583,299 S \* 12/2008 Manson ..... D12/421

\* cited by examiner

*Primary Examiner* — Michael A Pratt

(57) **CLAIM**

The ornamental design of the magnetic firearm holder, as shown.

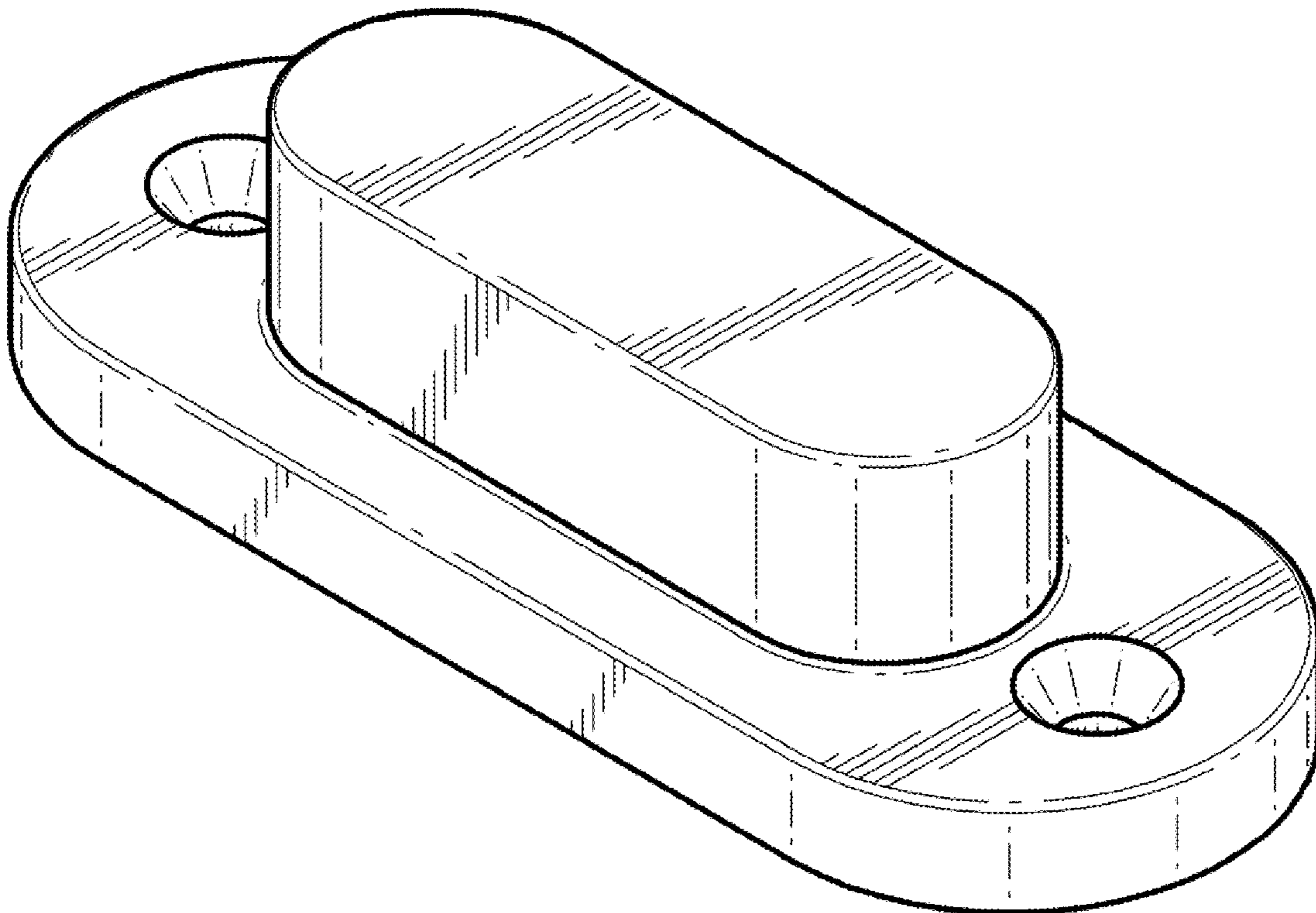
**DESCRIPTION**

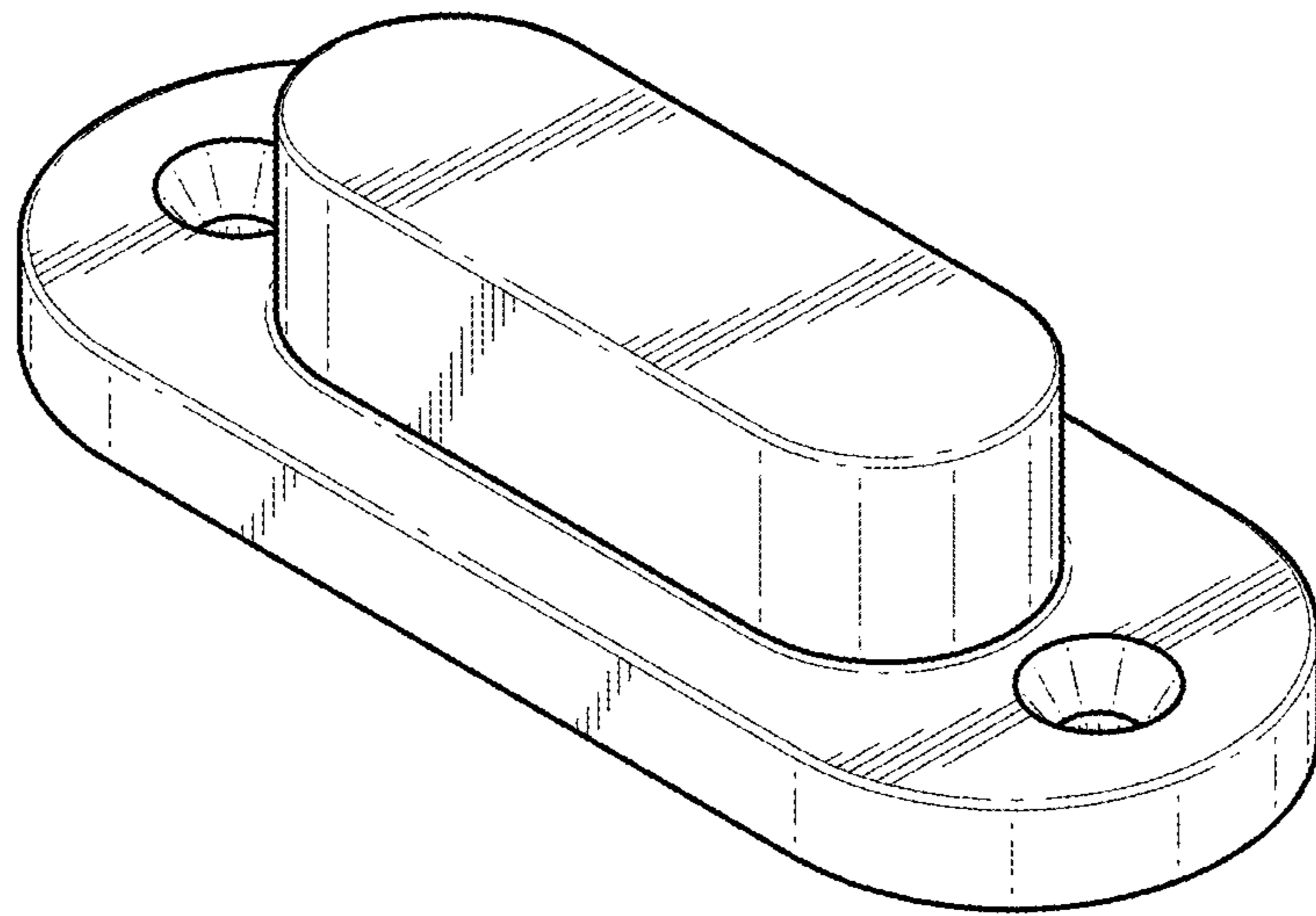
FIG. 1 is a perspective view of the magnetic firearm holder. FIG. 2 is a side view thereof. FIG. 3 is a top view thereof. FIG. 4 is an end view thereof (each of the two ends is identical in appearance); and, FIG. 5 is a bottom view thereof.

The invention pertains to an ornamental design for an article of manufacture, which can be scaled to different sizes.

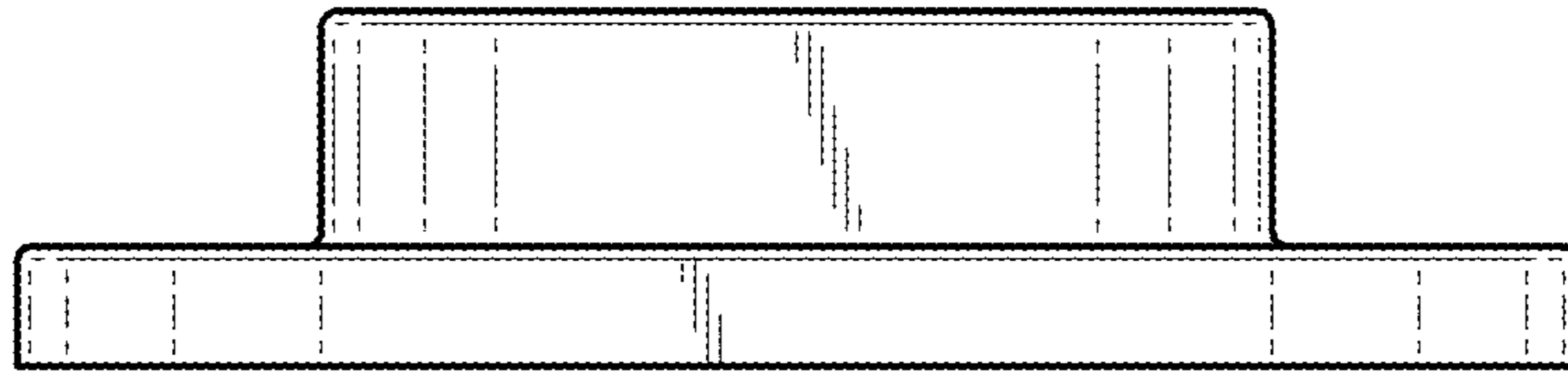
**1 Claim, 2 Drawing Sheets**

- (56) **References Cited**  
U.S. PATENT DOCUMENTS
- 4,484,158 A \* 11/1984 Roberts ..... H03H 9/0528  
29/25.35
- 4,706,350 A \* 11/1987 Mooney ..... H03H 9/0528  
29/25.35

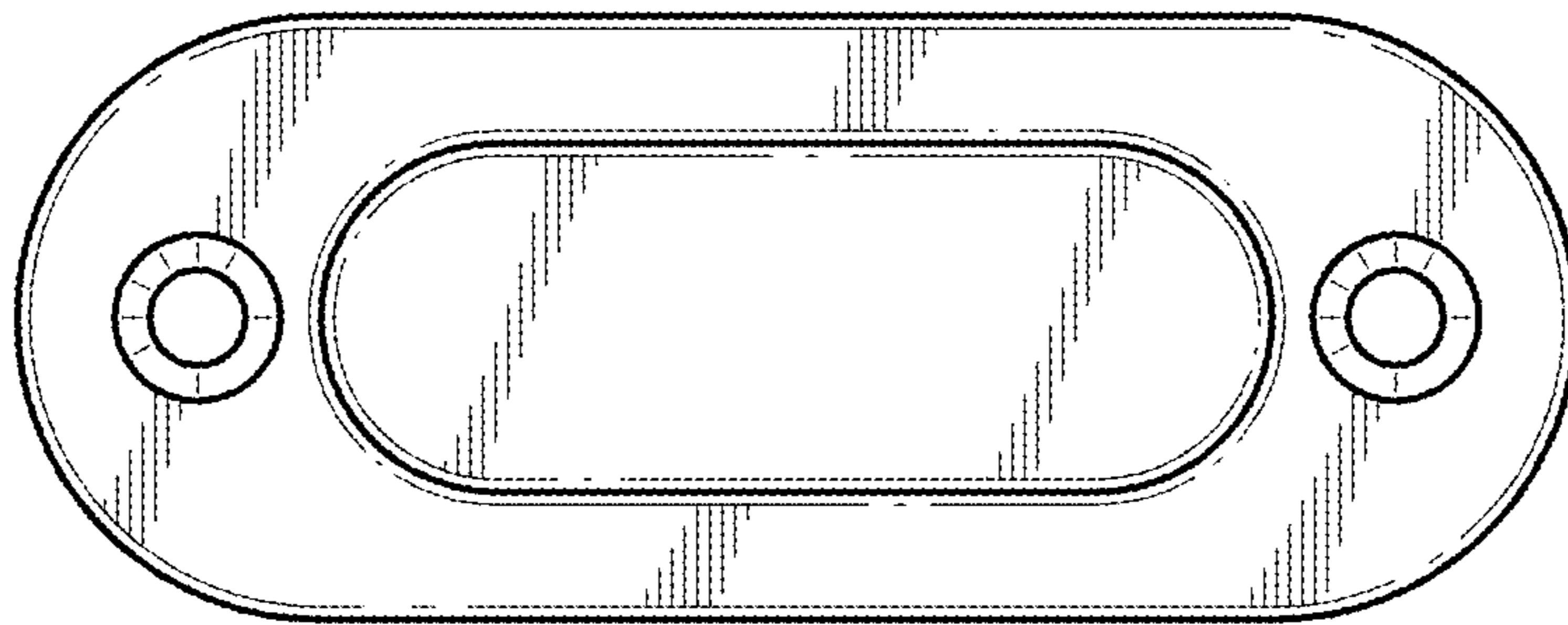




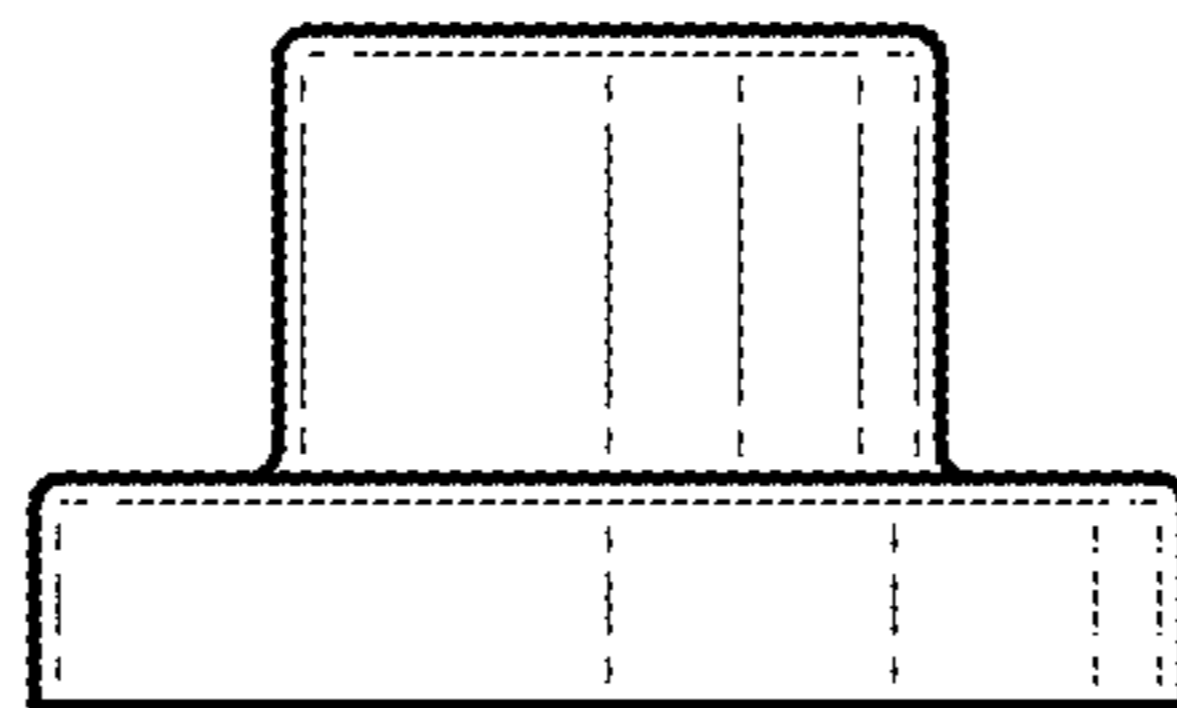
**FIG. 1**



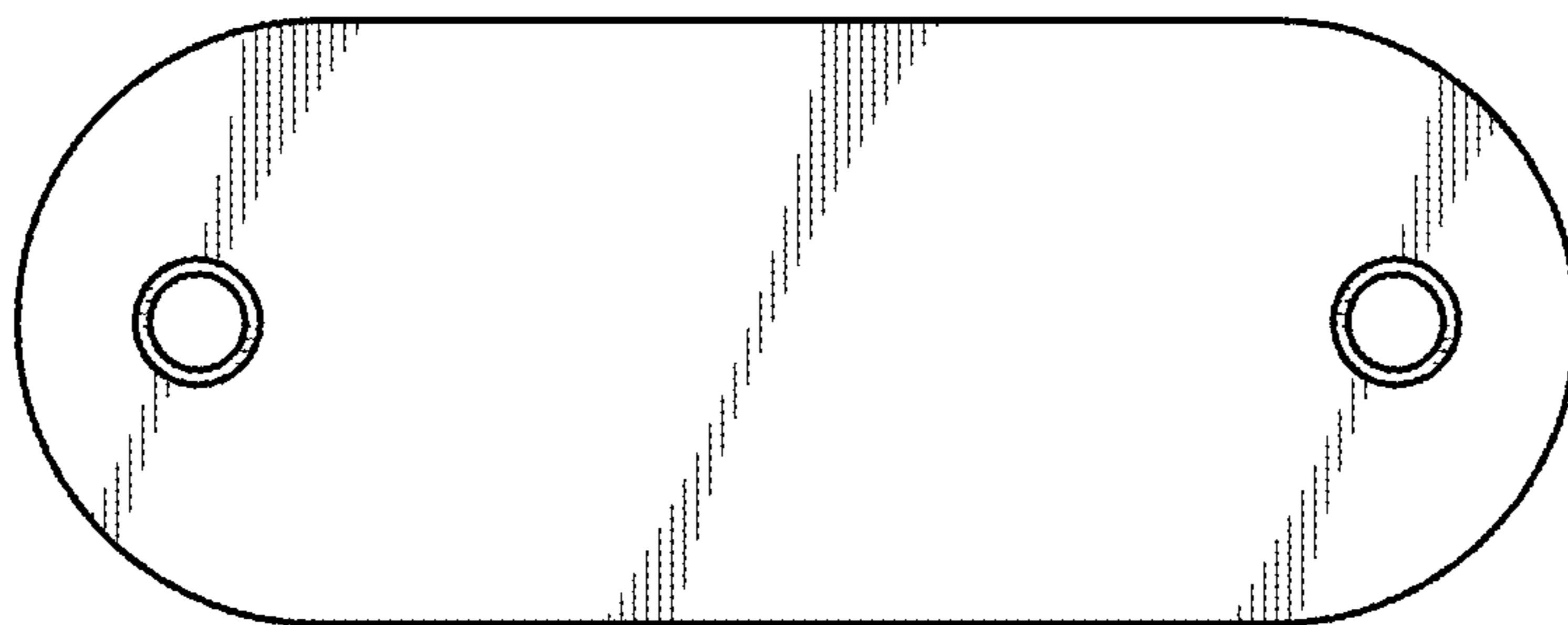
**FIG. 2**



**FIG. 3**



**FIG. 4**



**FIG. 5**