



US00D808191S

(12) **United States Design Patent**  
**Wilson**

(10) **Patent No.:** **US D808,191 S**  
(45) **Date of Patent:** **\*\* Jan. 23, 2018**

(54) **GUN STAND**

(71) Applicant: **Kelly James Wilson**, Knoxville, IA (US)

(72) Inventor: **Kelly James Wilson**, Knoxville, IA (US)

(\*\*) Term: **15 Years**

(21) Appl. No.: **29/558,384**

(22) Filed: **Mar. 17, 2016**

(51) **LOC (11) Cl.** ..... **08-08**

(52) **U.S. Cl.**  
USPC ..... **D6/552**; D22/108

(58) **Field of Classification Search**  
USPC ... D22/100, 199, 103, 104, 105, 108, 681.1,  
D22/512, 682; D17/9; D6/552  
CPC ..... F16M 11/00; F16M 13/00; A01M 31/02  
See application file for complete search history.

(56) **References Cited**

**U.S. PATENT DOCUMENTS**

137,960	A *	4/1873	Rearden	.....	D06F 57/08 182/154
164,386	A *	6/1875	Merrick	.....	F16M 11/00 248/164
930,394	A *	8/1909	Le Bourgeois	.....	F16M 11/00 248/164
3,341,028	A *	9/1967	Nichols	.....	A47F 5/13 211/182
4,575,964	A *	3/1986	Griffin	.....	F16M 13/04 42/94
D289,952	S *	5/1987	Kido	.....	D6/681.1
4,763,865	A *	8/1988	Danner	.....	F16M 11/38 108/118
4,917,341	A *	4/1990	Pirchio	.....	F16M 11/38 108/118

(Continued)

**OTHER PUBLICATIONS**

2x-Ekho-Adjustable-Keyboard-Lightweight-Stands, no date available, [online], [site visited Jan. 4, 2017]. Retrieved from <url:http://

derwennacouk.s3.amazonaws.com/wp-content/uploads/2015/06/2x-Ekho-Adjustable-Keyboard-Lightweight-Stands-0-300x300.jpg>.\*

(Continued)

*Primary Examiner* — Jeffrey D Asch

*Assistant Examiner* — Tracey J Bell

(74) *Attorney, Agent, or Firm* — David M. Breiner; BrownWinick Law Firm

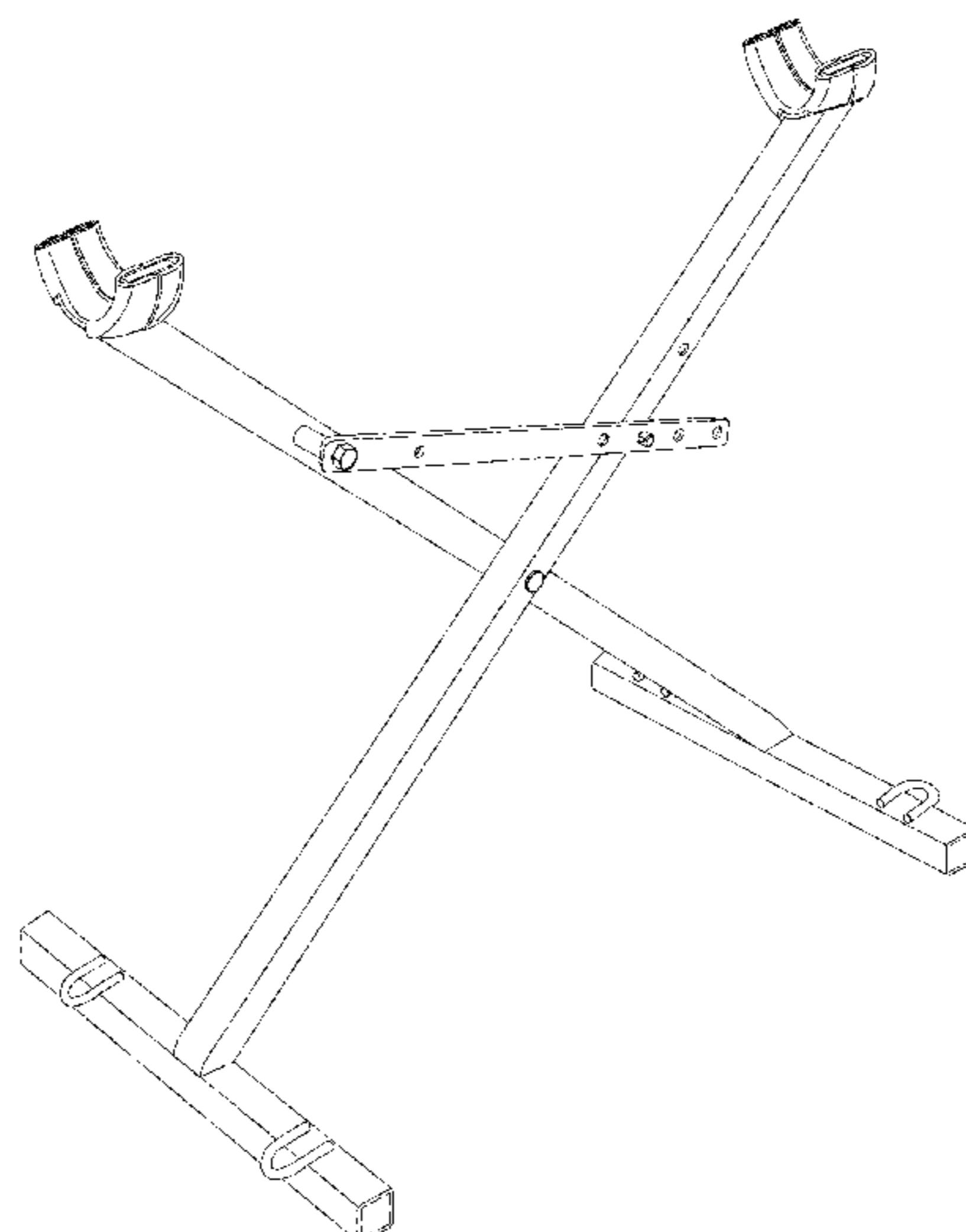
(57) **CLAIM**

I claim the ornamental design for a gun stand, as shown and described.

**DESCRIPTION**

FIG. 1 is a perspective view of a gun stand adjusted to a first position;  
 FIG. 2 is a top view of a gun stand adjusted to a first position;  
 FIG. 3 is a left side view of a gun stand adjusted to a first position;  
 FIG. 4 is a right side view of a gun stand adjusted to a first position;  
 FIG. 5 is a bottom view of a gun stand adjusted to a first position;  
 FIG. 6 is a front side view of a gun stand adjusted to a first position;  
 FIG. 7 is a back side view of a gun stand adjusted to a first position;  
 FIG. 8 is a perspective view of a gun stand adjusted to a first position supporting a gun;  
 FIG. 9 is a perspective view of a gun stand adjusted to a second position; and,  
 FIG. 10 is a perspective view of a gun stand adjusted to a third position supporting a hand gun.  
 Any subject matter or surfaces shown in dashed lines, and any surfaces of the article not shown, form no part of the claimed invention.

**1 Claim, 7 Drawing Sheets**



(56)

**References Cited**

U.S. PATENT DOCUMENTS

5,467,953 A \* 11/1995 Malizia ..... F16M 11/38  
16/321  
6,889,465 B1 \* 5/2005 Holmes ..... F16M 13/04  
248/431  
7,261,271 B1 \* 8/2007 Buswell ..... B65H 49/321  
242/129.7  
D638,087 S \* 5/2011 Schull ..... D12/162  
7,988,137 B2 \* 8/2011 Johnson ..... B25H 1/0007  
248/164  
D648,571 S \* 11/2011 Eason ..... D6/682.5  
D744,062 S \* 11/2015 Arendt ..... D22/199  
D802,330 S \* 11/2017 Michalak ..... D6/552

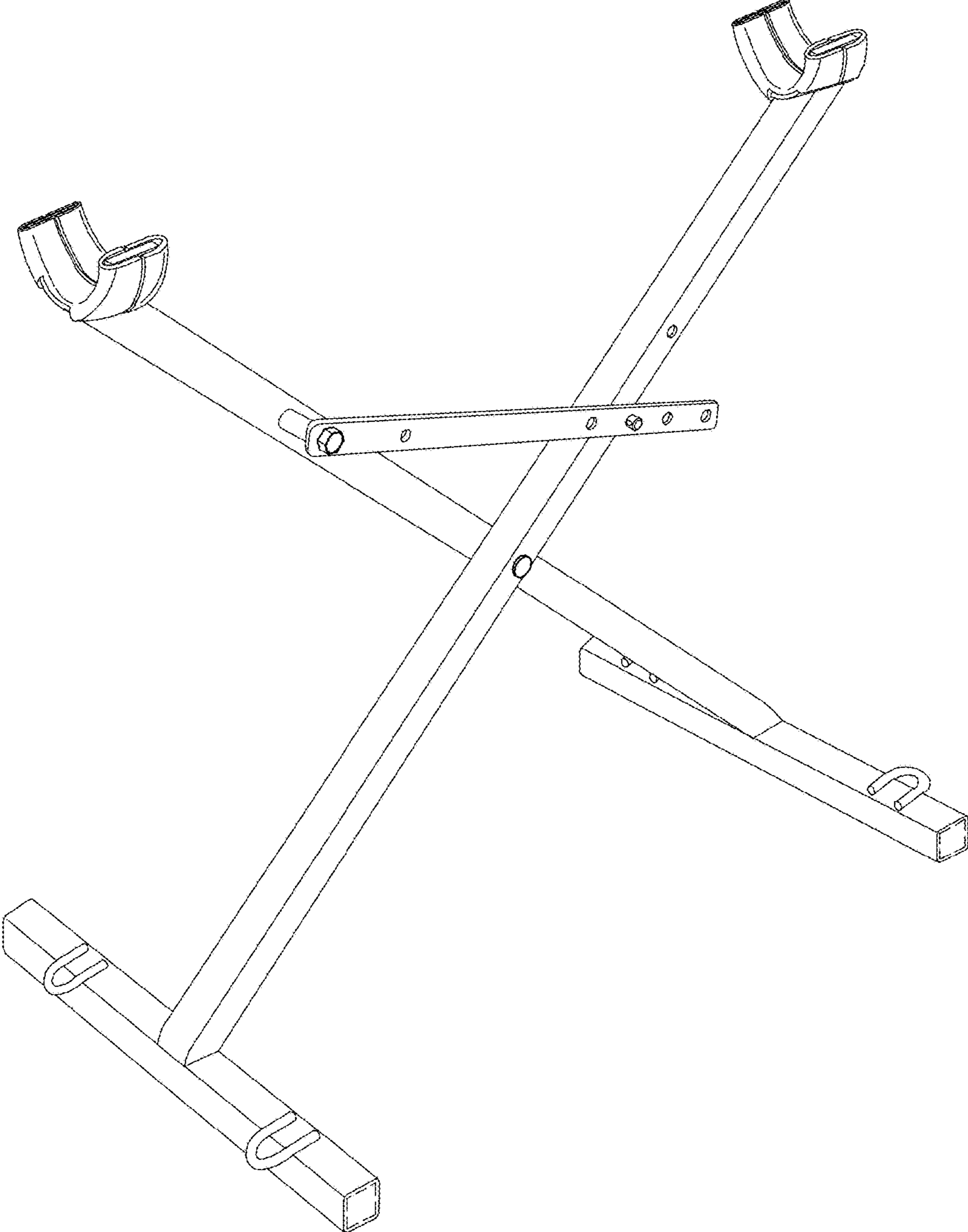
OTHER PUBLICATIONS

Caldwell Deadshot Fieldpod Shooting Tripod Adjustable Rifle Rest Stand Cradle, Aug. 12, 2015, [online], [site visited: Jan. 4, 2017]. Retrieved from <url:http://www.ebay.com/itm/Caldwell-Deadshot-Fieldpod-Shooting-Tripod-Adjustable-Rifle-Rest-Stand-Cradle-/221851467083?hash=item33a760bd4b%3Ag%3AaxEAAOSwHnFVy8dP>.\*

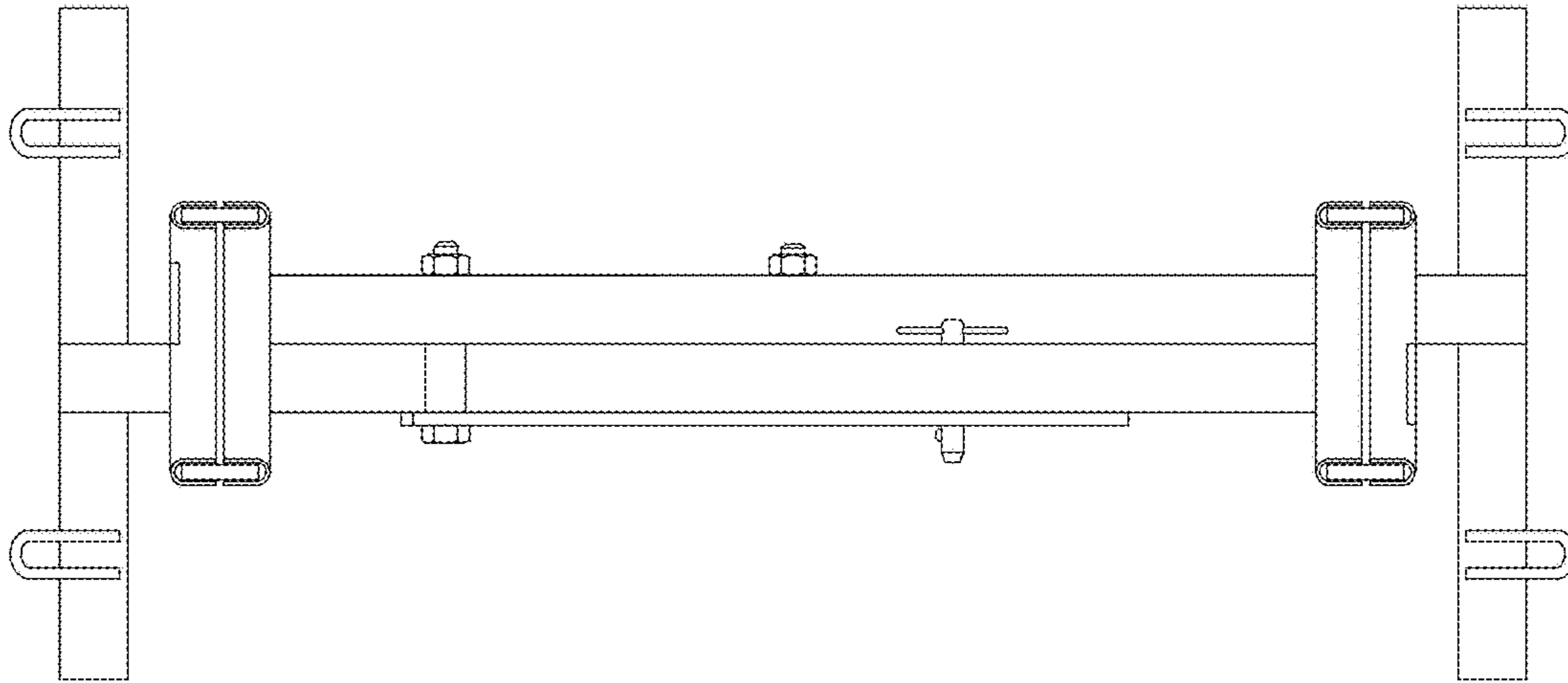
Casio ARST Single x Keyboard Stand, Dec. 19, 2005, [online], [site visited: Jan. 4, 2017]. Retrieved from <url:https://www.amazon.com/Casio-ARST-Single-Key-board-Stand/dp/B002VCX11A>.\*

\* cited by examiner

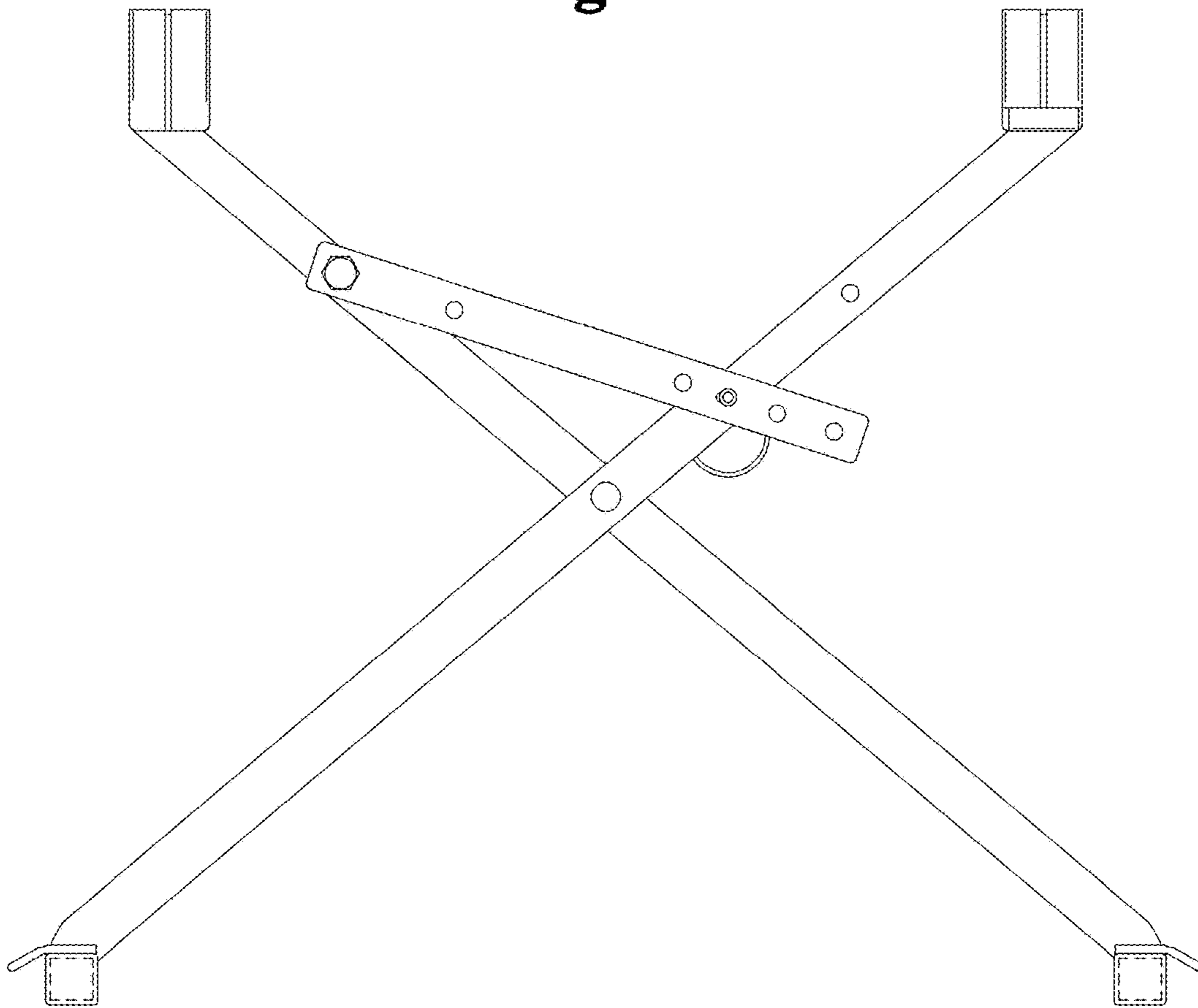
**Fig. 1**



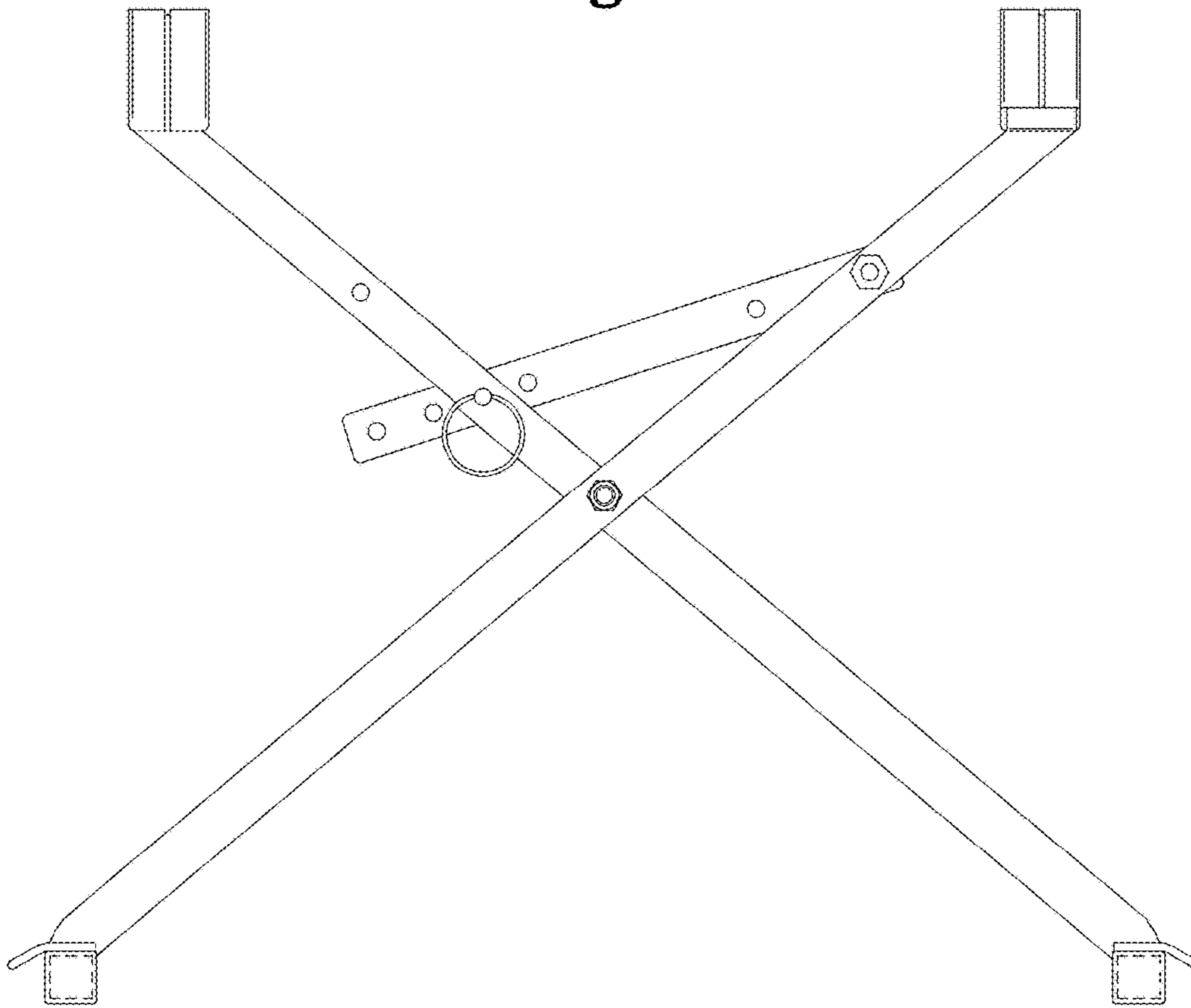
**Fig. 2**



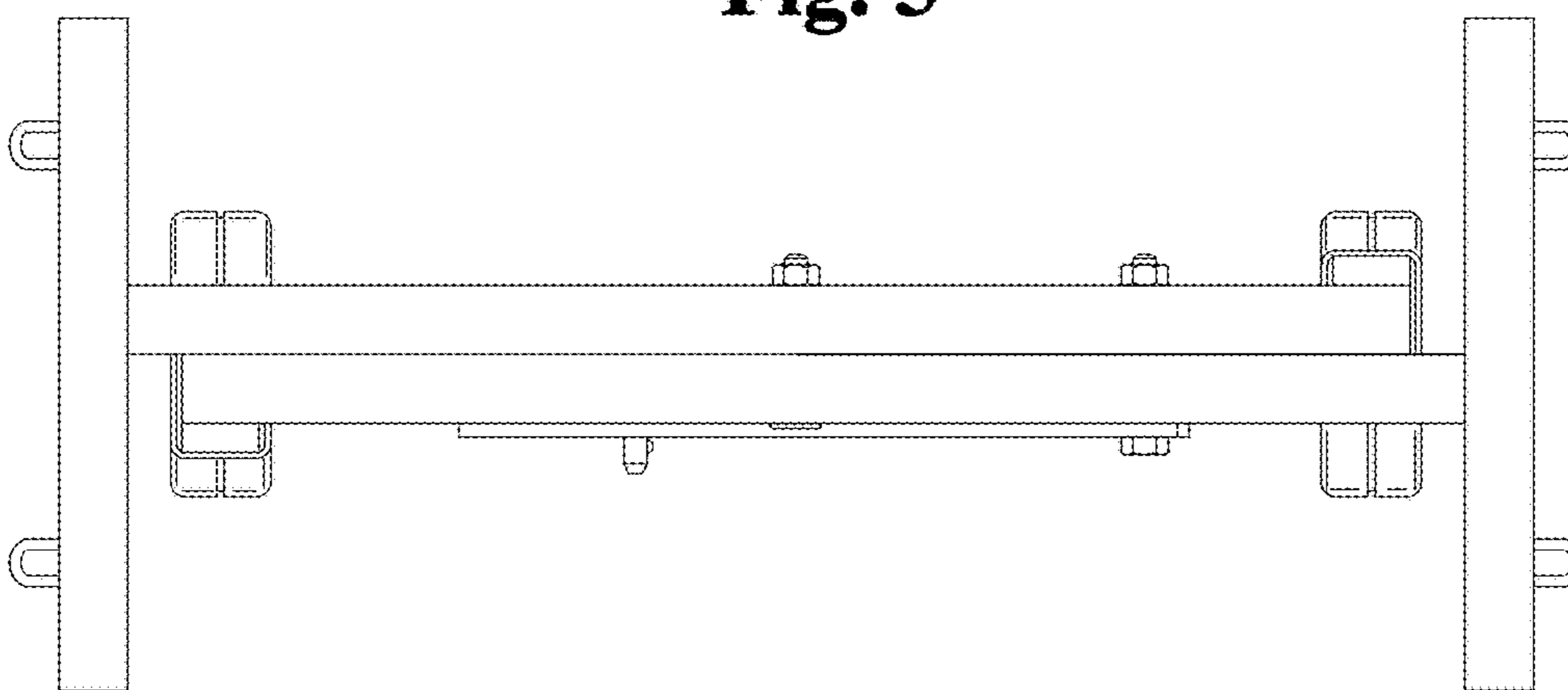
**Fig. 3**



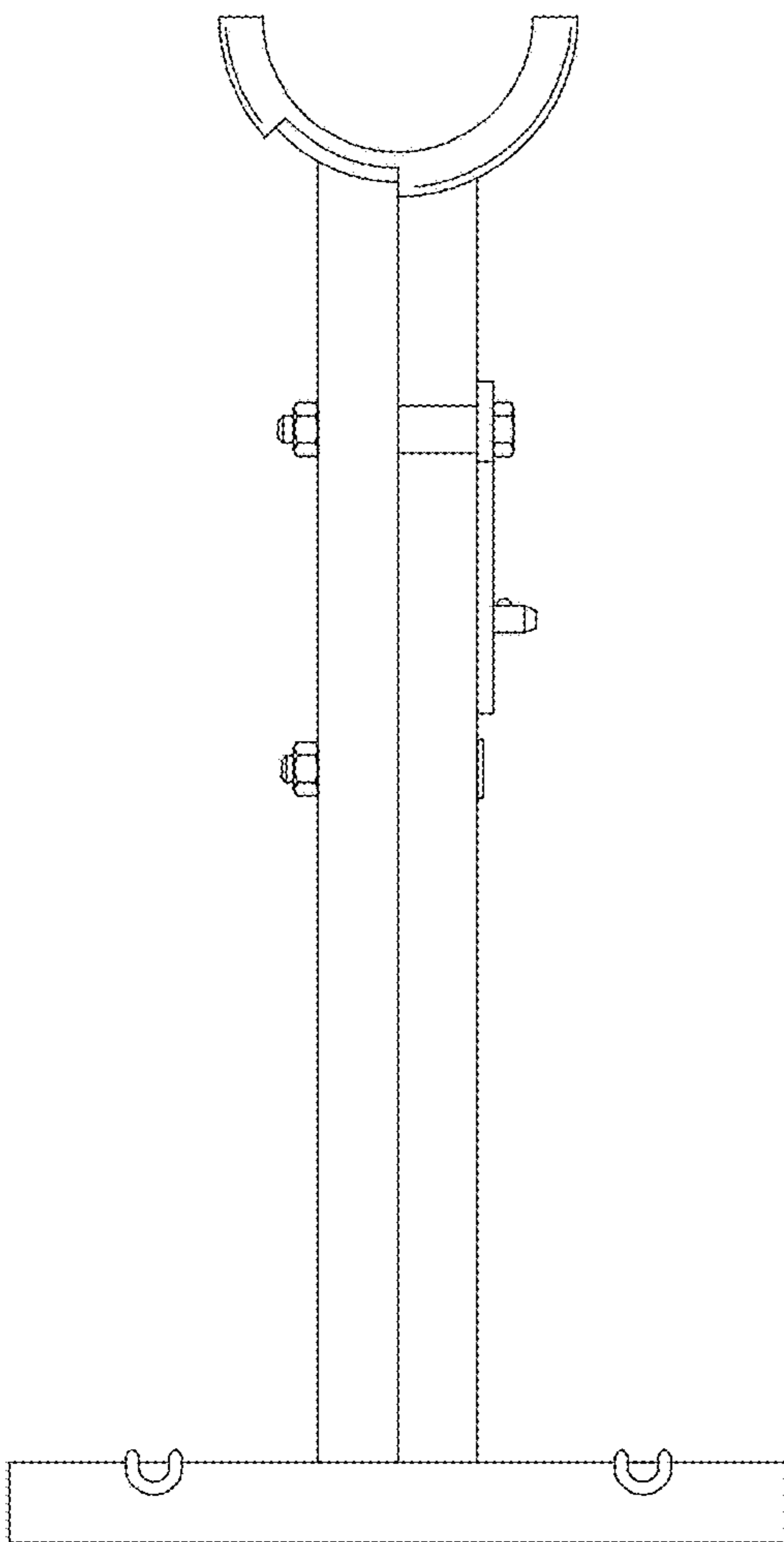
**Fig. 4**



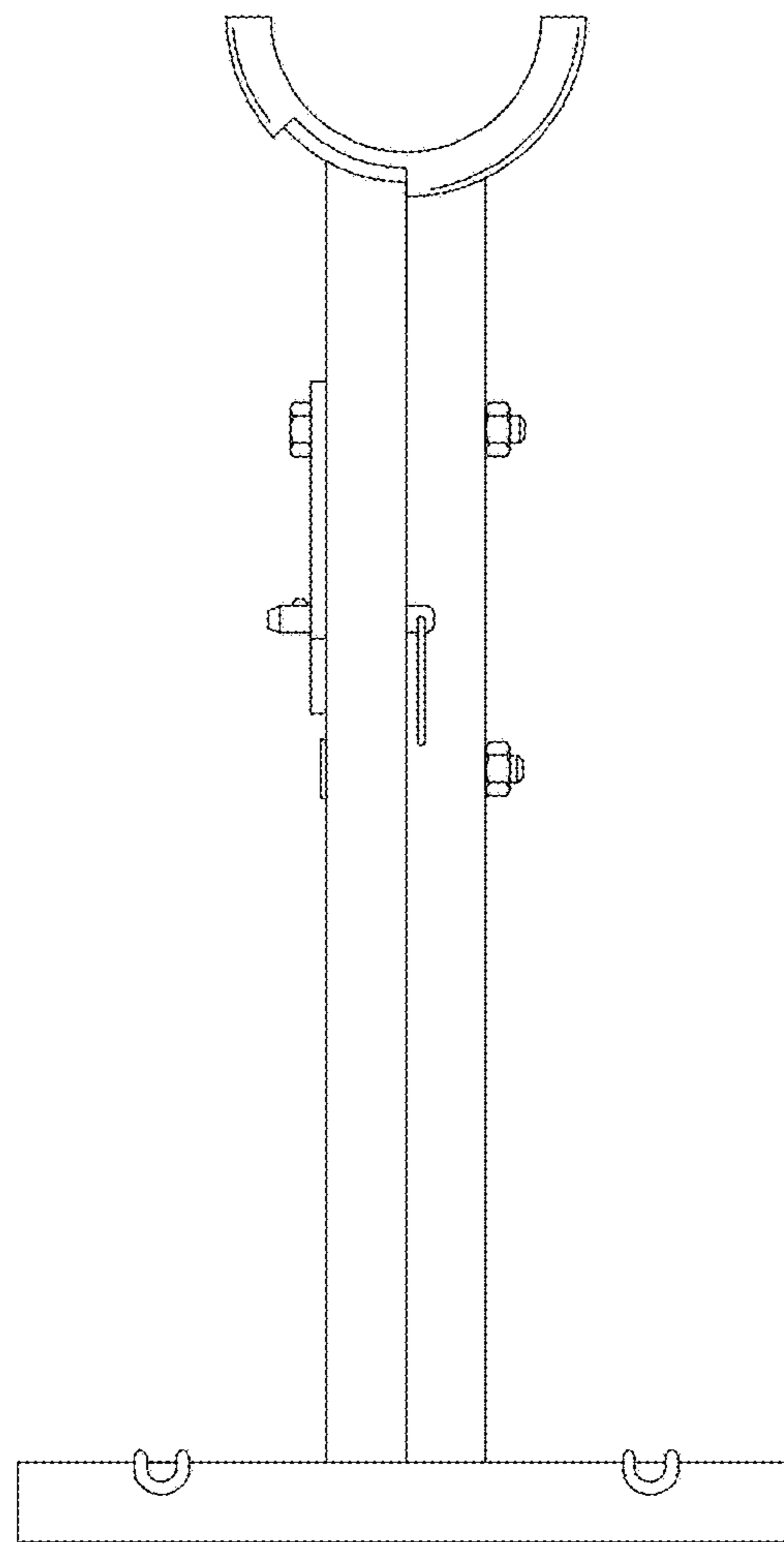
**Fig. 5**



**Fig. 6**

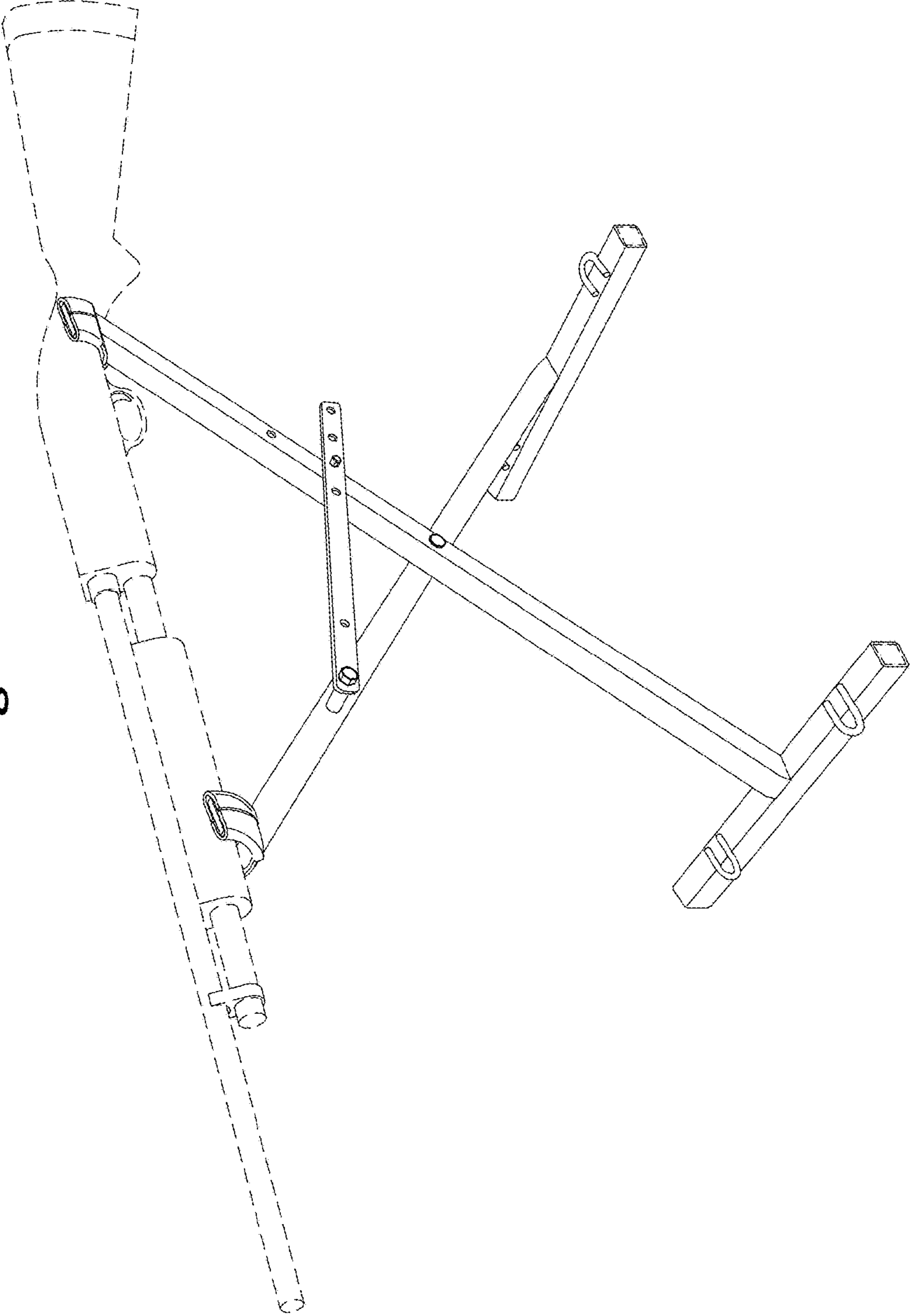


**Fig. 7**

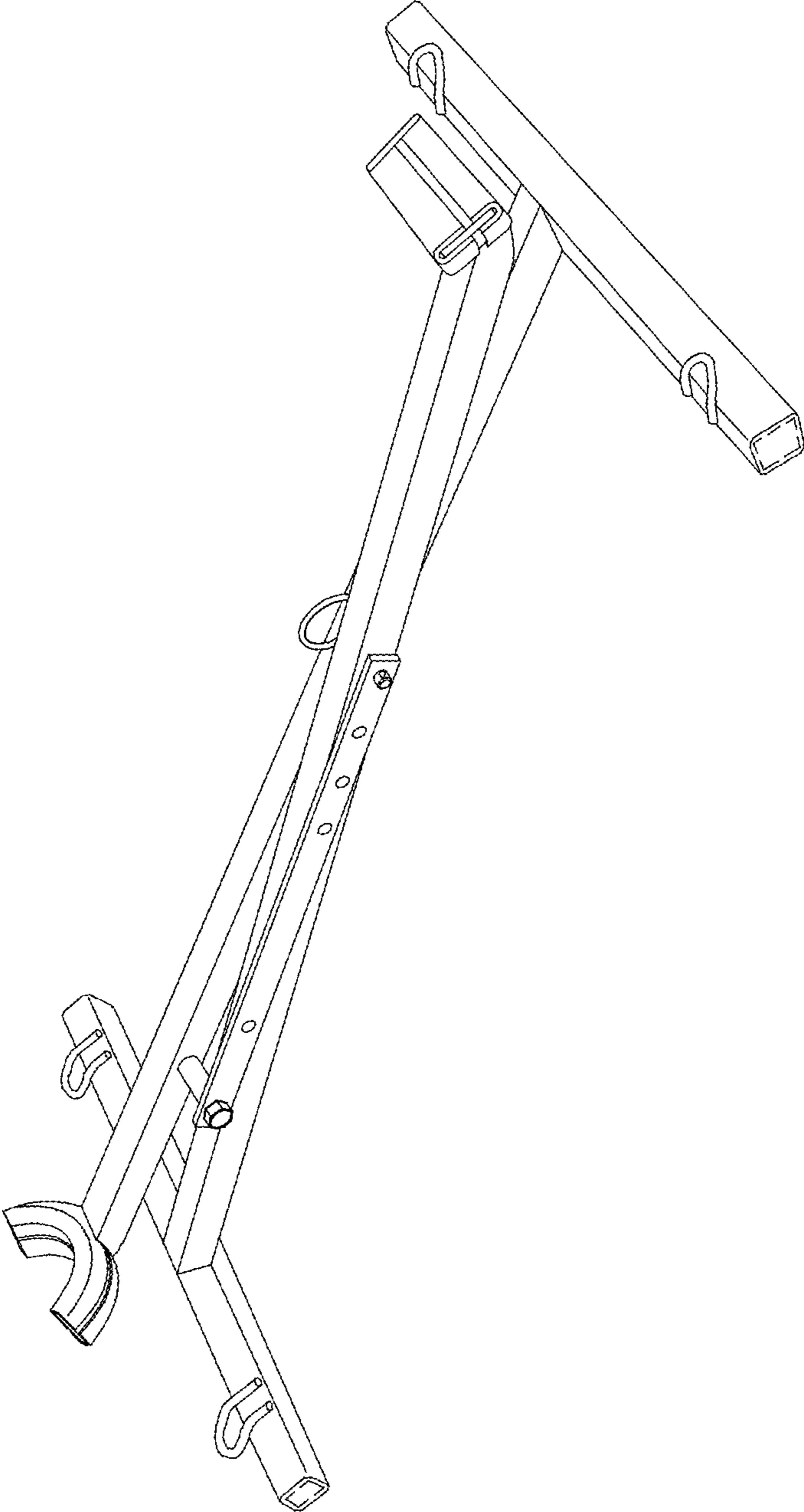




**Fig. 8**



**Fig. 9**





**Fig. 10**

