



US00D808190S

(12) **United States Design Patent** (10) **Patent No.:** **US D808,190 S**
Cohen (45) **Date of Patent:** **** Jan. 23, 2018**

(54) **SOAP HOLDER**
(71) Applicant: **Bernard M. Cohen**, Miami, FL (US)
(72) Inventor: **Bernard M. Cohen**, Miami, FL (US)
(**) Term: **15 Years**
(21) Appl. No.: **29/581,370**
(22) Filed: **Oct. 18, 2016**
(51) **LOC (11) Cl.** **23-02**
(52) **U.S. Cl.**
USPC **D6/536**
(58) **Field of Classification Search**
USPC D6/536-537, 524, 525, 540, 566, 567,
D6/320; 211/13.1, 74, 71.01, 86.01, 75,
211/88.01, 90.01, 90.03, 106, 119, 126.1,
211/133.5, 181.1, 134, 87.01; D3/306;
D32/55-56; D7/637; 248/206.2-206.3
CPC .. B23P 17/04; A47K 1/09; A47K 1/08; A47K
3/281; F16B 47/00
See application file for complete search history.

D184,064 S 12/1958 Arjona
2,900,757 A 8/1959 Grimm, Jr.
2,932,119 A 4/1960 Borah
2,934,852 A 5/1960 Heberling
2,968,888 A 1/1961 Borah
3,029,547 A 4/1962 Ross, Jr. et al.
D193,085 S 6/1962 White
3,315,933 A 4/1967 Tatham
D212,369 S 10/1968 Hagopian
3,697,111 A 10/1972 Thompson
D249,628 S * 9/1978 Levine D6/403
4,203,568 A 5/1980 Daugherty
4,331,232 A 5/1982 Larkin
D272,588 S 2/1984 Shames et al.
4,621,730 A 11/1986 Mancusi, Jr.
D298,498 S 11/1988 Greenhut et al.
D312,740 S 12/1990 Greenhut et al.
4,993,546 A 2/1991 Southard

(Continued)

Primary Examiner — David G Muller
Assistant Examiner — Nathan M Johnston
(74) *Attorney, Agent, or Firm* — Mallloy & Malloy, P.L.

(57) **CLAIM**

The ornamental design for a soap holder, as shown and described.

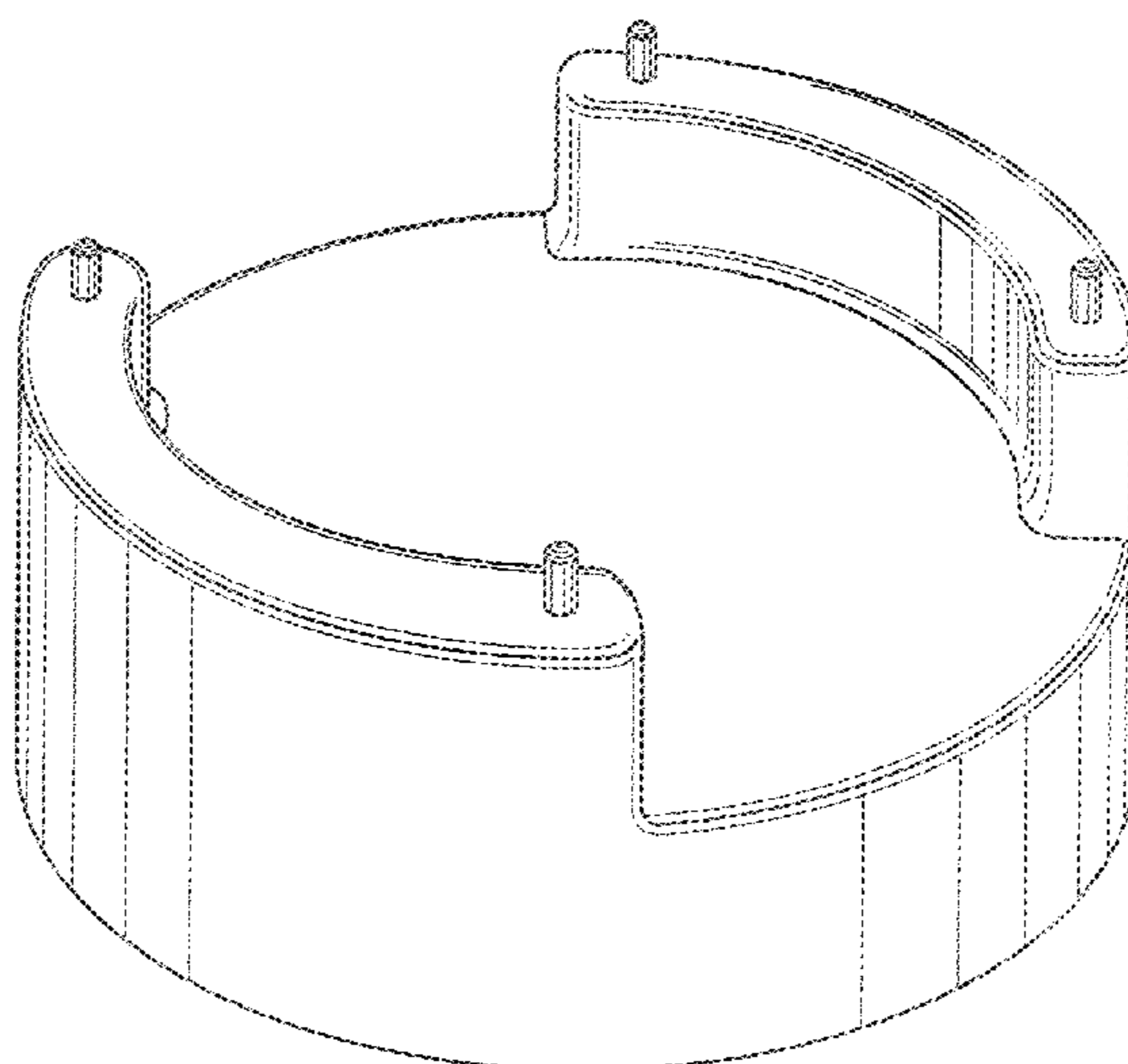
DESCRIPTION

FIG. 1 is a front perspective view showing my new design for a soap holder;
FIG. 2 is a front elevation view thereof;
FIG. 3 is a right side elevation view thereof;
FIG. 4 is a top plan view thereof;
FIG. 5 is a left elevation view thereof;
FIG. 6 is a bottom plan view thereof;
FIG. 7 is a rear elevation view thereof; and,
FIG. 8 is a bottom perspective view thereof.
The broken line showing of parts of the drawings is included for the purpose of illustrating use and environment and forms no part of the claimed design.

1 Claim, 6 Drawing Sheets

(56) **References Cited**
U.S. PATENT DOCUMENTS

539,698 A 5/1895 Milligan
624,809 A 5/1899 Howe
D70,381 S 6/1926 Matthews
1,859,492 A 5/1932 Balestra
D99,891 S * 6/1936 Pilliod 206/566
2,194,997 A 3/1940 Butler
2,259,682 A * 10/1941 Collins A01K 5/0114
119/61.54
D137,131 S 1/1944 Reeve
D137,908 S 5/1944 Benoto
D141,011 S 4/1945 Madan
2,568,714 A 9/1951 Britton
2,586,626 A 2/1952 Dunn
D167,234 S 7/1952 Simpson
2,717,472 A 9/1955 Wilmington



(56)

References Cited

U.S. PATENT DOCUMENTS

5,011,316 A	4/1991	Damon	
5,242,063 A	9/1993	Ericksen et al.	
D341,501 S	11/1993	Tiramani et al.	
D341,972 S	12/1993	Tiramani et al.	
5,279,412 A	1/1994	Lee	
D349,019 S *	7/1994	Stinson	D7/584
D371,721 S *	7/1996	Redmond	D7/508
5,680,929 A	10/1997	Von Seidel	
D390,393 S	2/1998	Sharpe	
D396,770 S	8/1998	Hoernig	
D408,187 S	4/1999	Forcella, Jr.	
D413,466 S *	9/1999	Warshawsky	D6/516
D413,469 S	9/1999	Hampshire	
D435,992 S	1/2001	Min-Tsung	
D440,441 S	4/2001	Gottwald	
D449,752 S	10/2001	Snell	
D450,965 S	11/2001	Weinberg	
6,857,616 B1	2/2005	Gasperi et al.	
D504,262 S *	4/2005	Lee	D6/536
D505,595 S *	5/2005	Kujawski	D7/619.1
6,966,445 B1	11/2005	Johanna	
D523,293 S *	6/2006	Disbrow	D7/619.1
D532,234 S	11/2006	Snell	
D532,639 S	11/2006	Snell	
D549,503 S	8/2007	Nagoya	
7,424,949 B2	9/2008	Kumar	
D593,364 S *	6/2009	Harris	D7/505
D608,499 S *	1/2010	Hodgson	D27/133
D614,813 S	4/2010	Massell	
7,789,654 B2	9/2010	Lenard	
D637,846 S *	5/2011	Kraemer	D6/536
D646,099 S	10/2011	Mu et al.	
D681,989 S	5/2013	Pixley	
D690,128 S	9/2013	Cage	
8,523,125 B1	9/2013	Jardine	
D699,474 S	2/2014	Roberts	
D704,904 S	5/2014	Anderson et al.	
D725,401 S	3/2015	Tang	
D725,402 S	3/2015	Tang	
9,220,378 B2	12/2015	Urban	
D763,598 S	8/2016	Goodman et al.	
D789,152 S *	6/2017	Wall	D7/538
2003/0178326 A1	9/2003	Belyakov et al.	
2005/0211575 A1	9/2005	Li	
2008/0169208 A1	7/2008	Li	

* cited by examiner

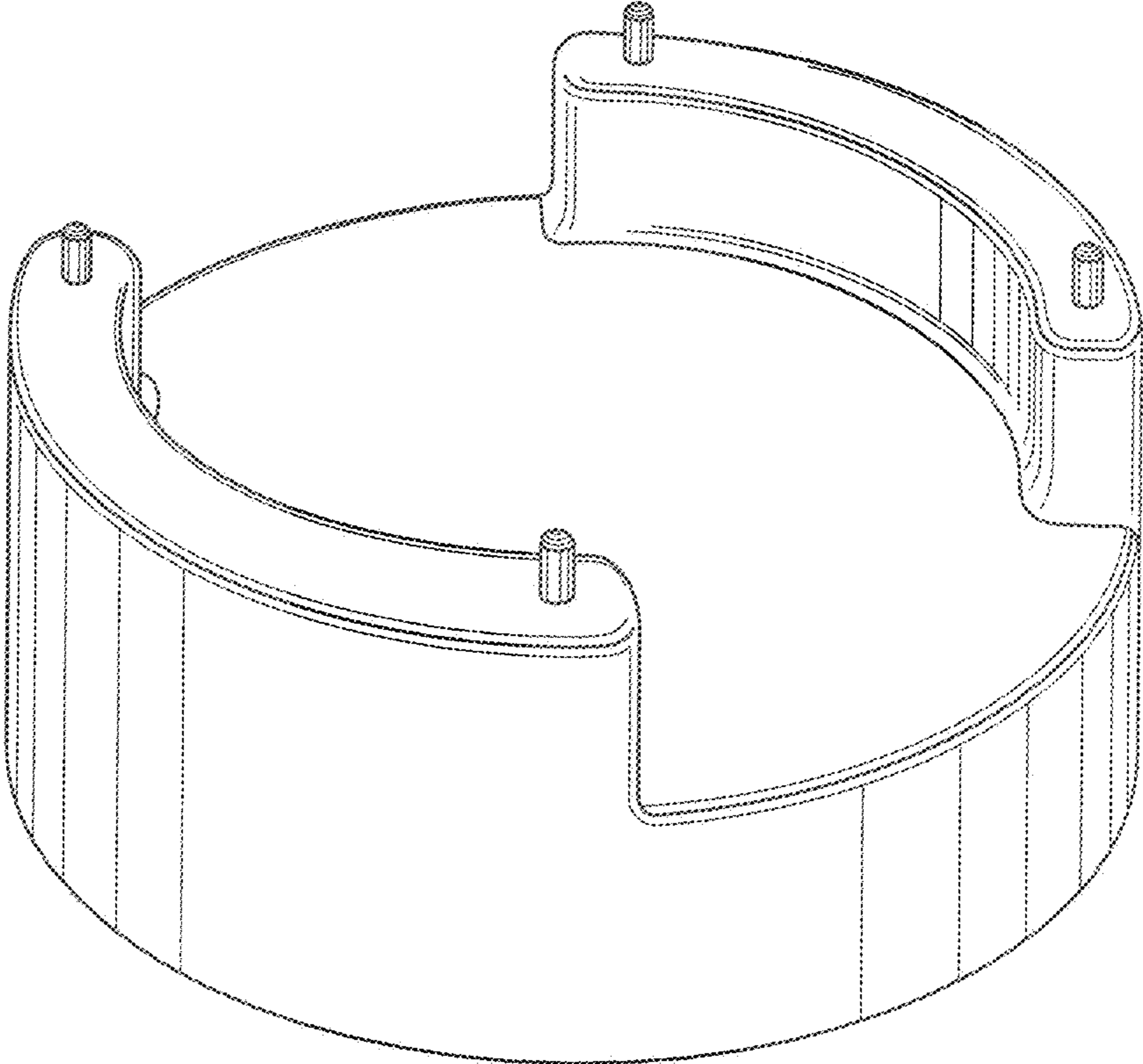


FIG. 1

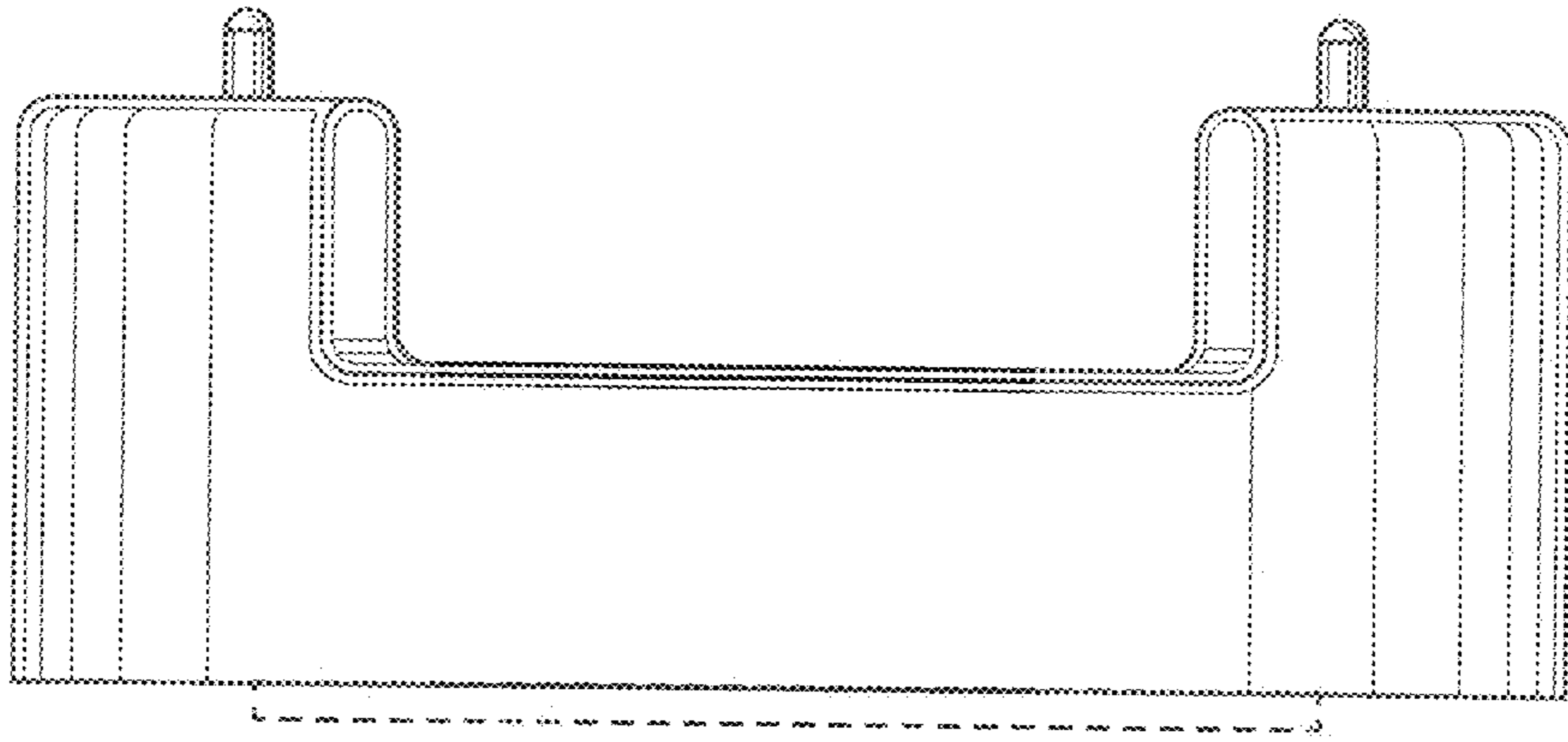


FIG. 2

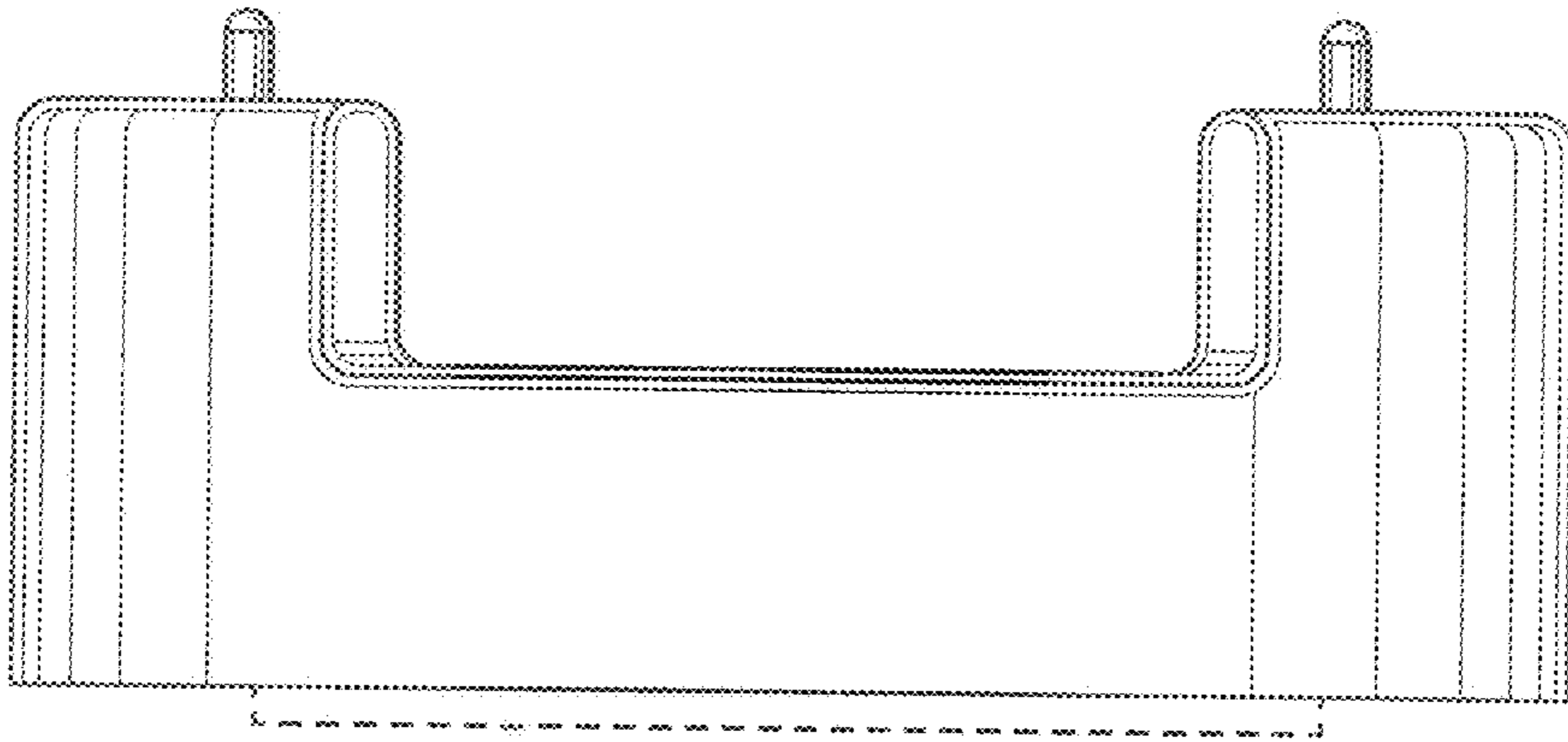


FIG. 7

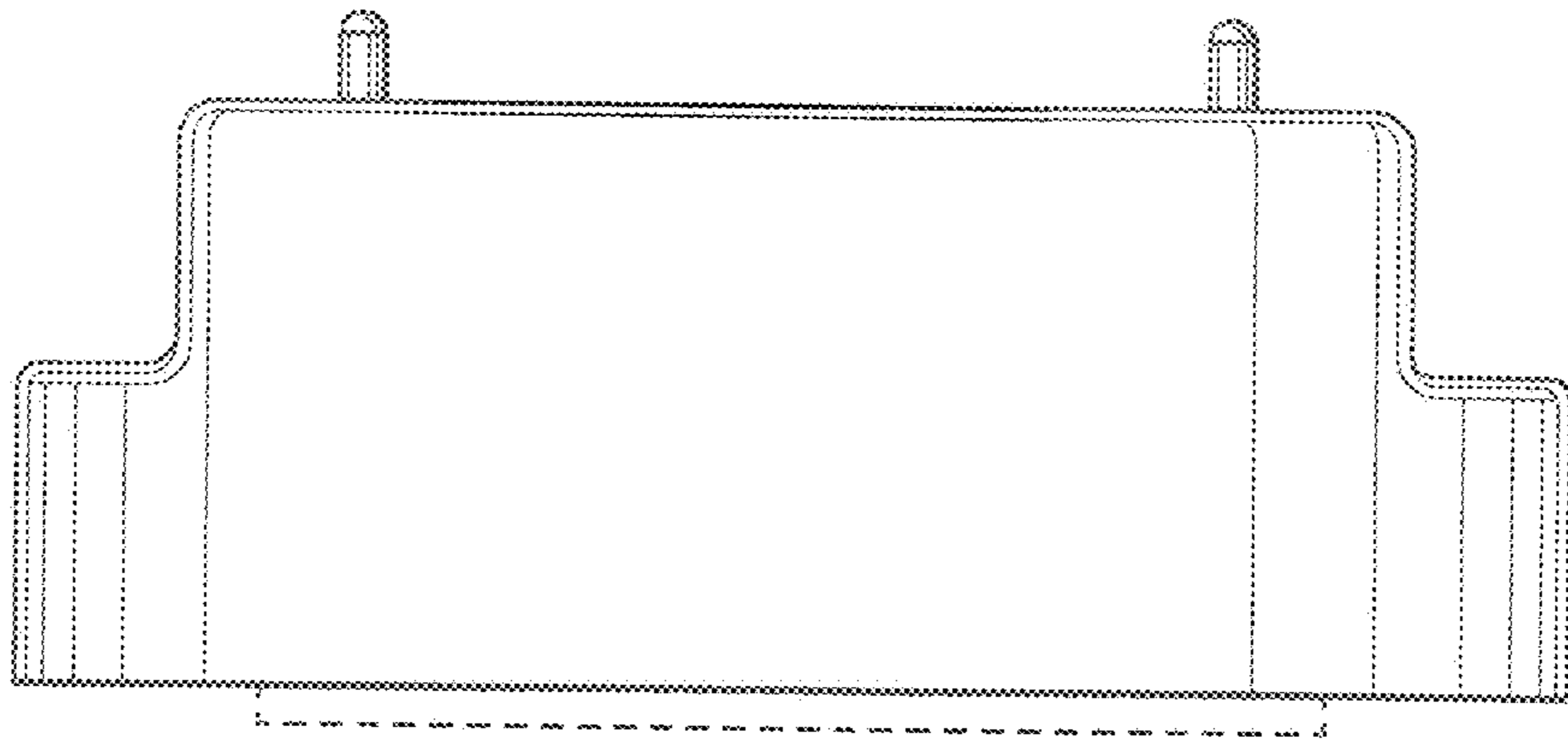


FIG. 3

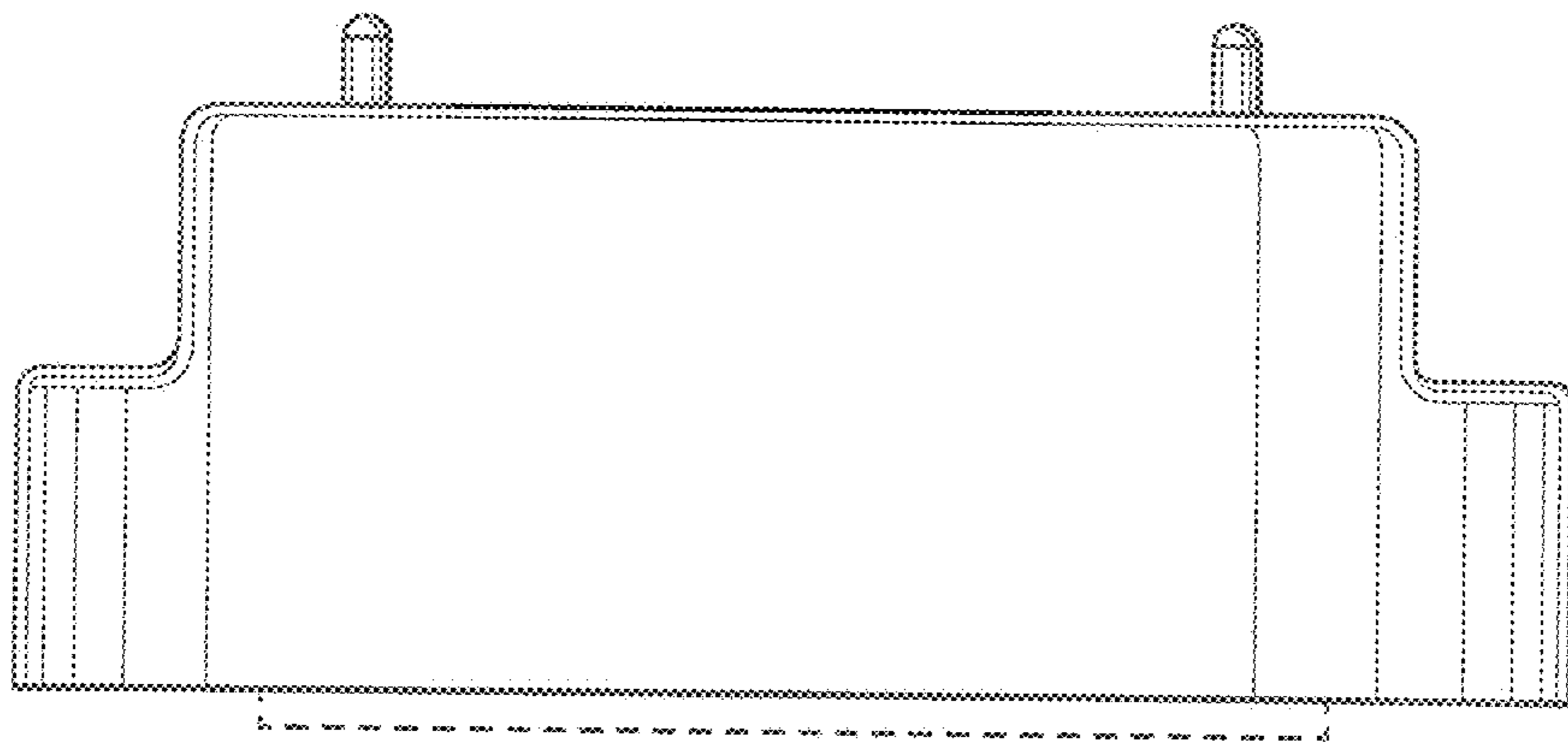


FIG. 5

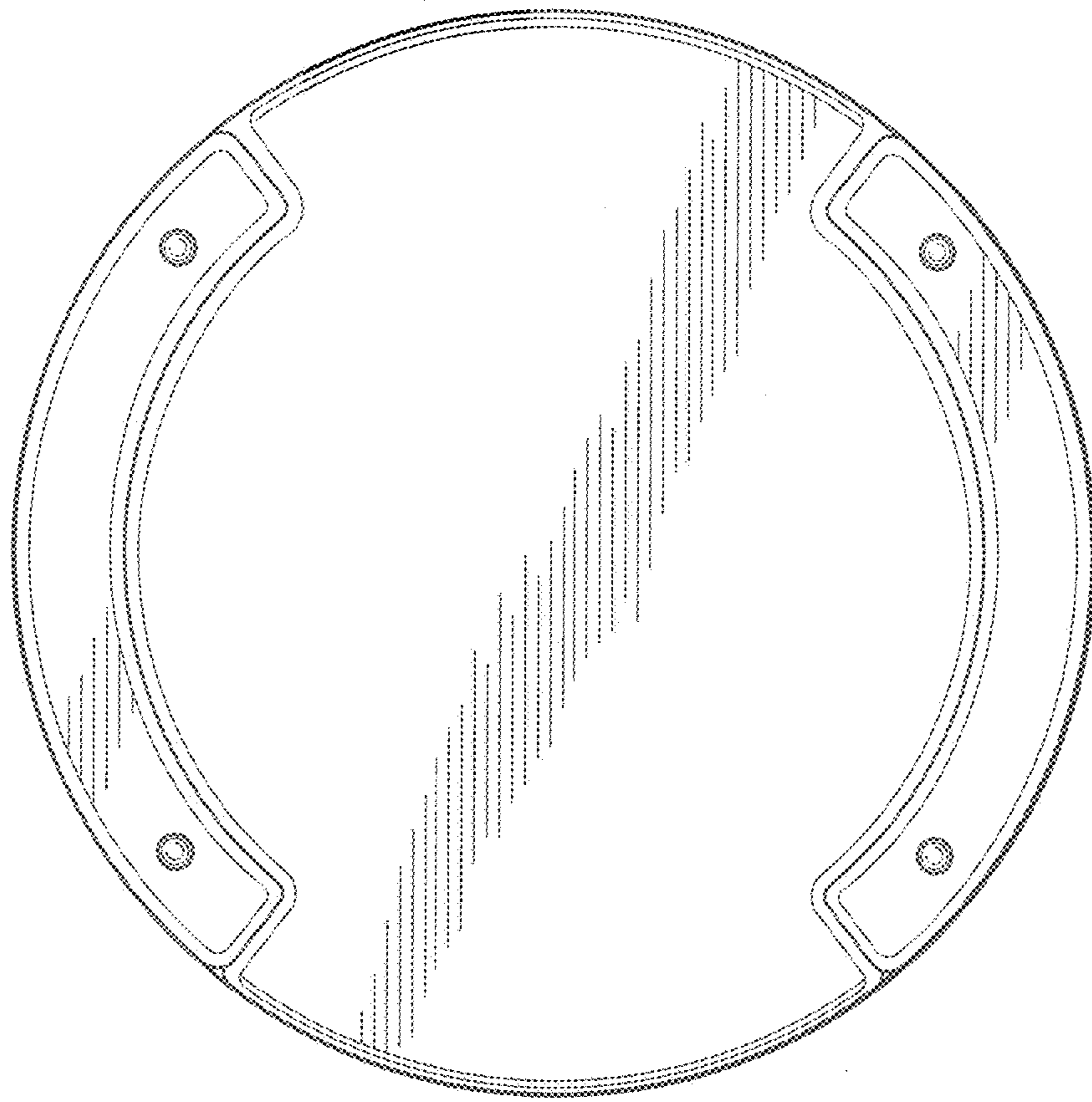


FIG. 4

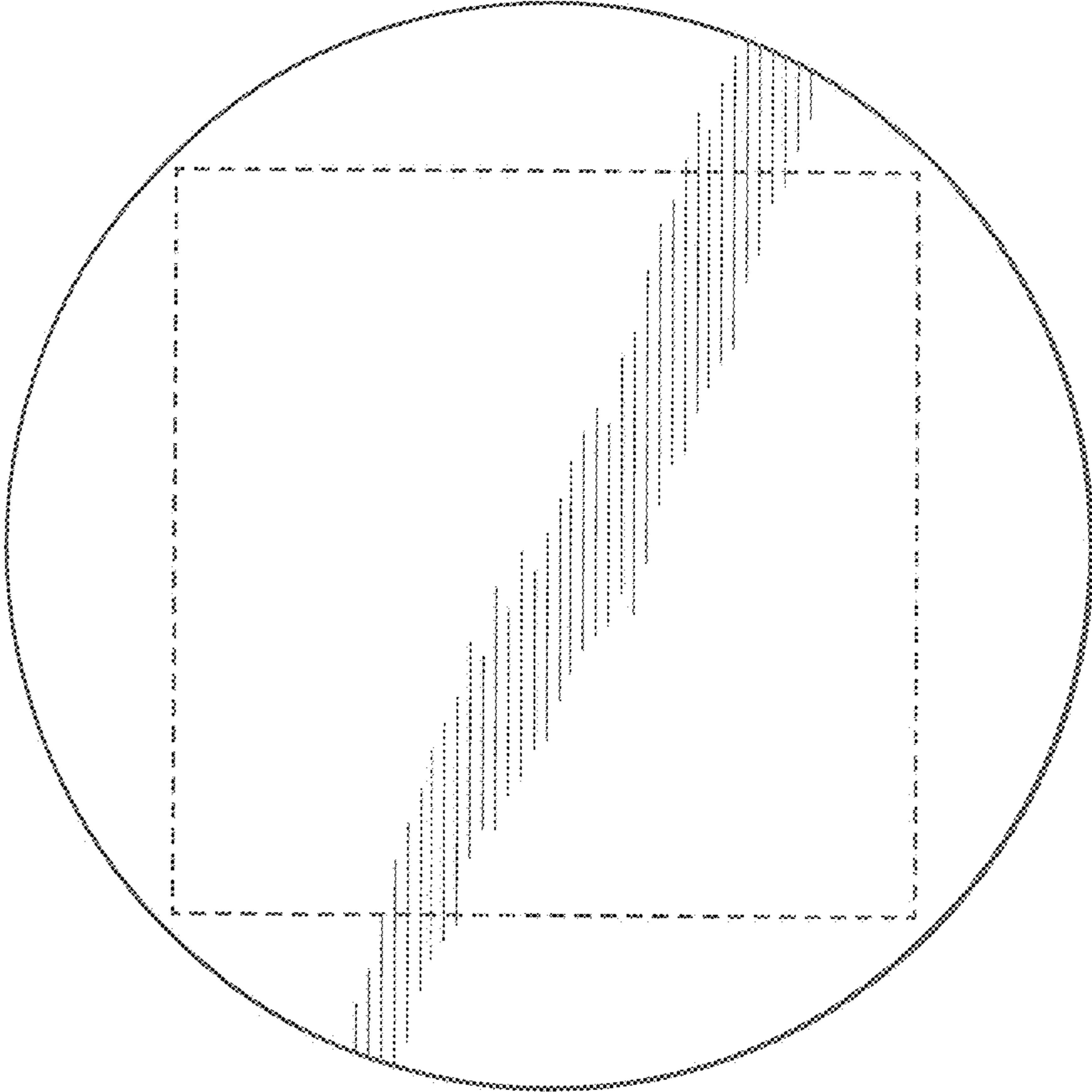


FIG. 6

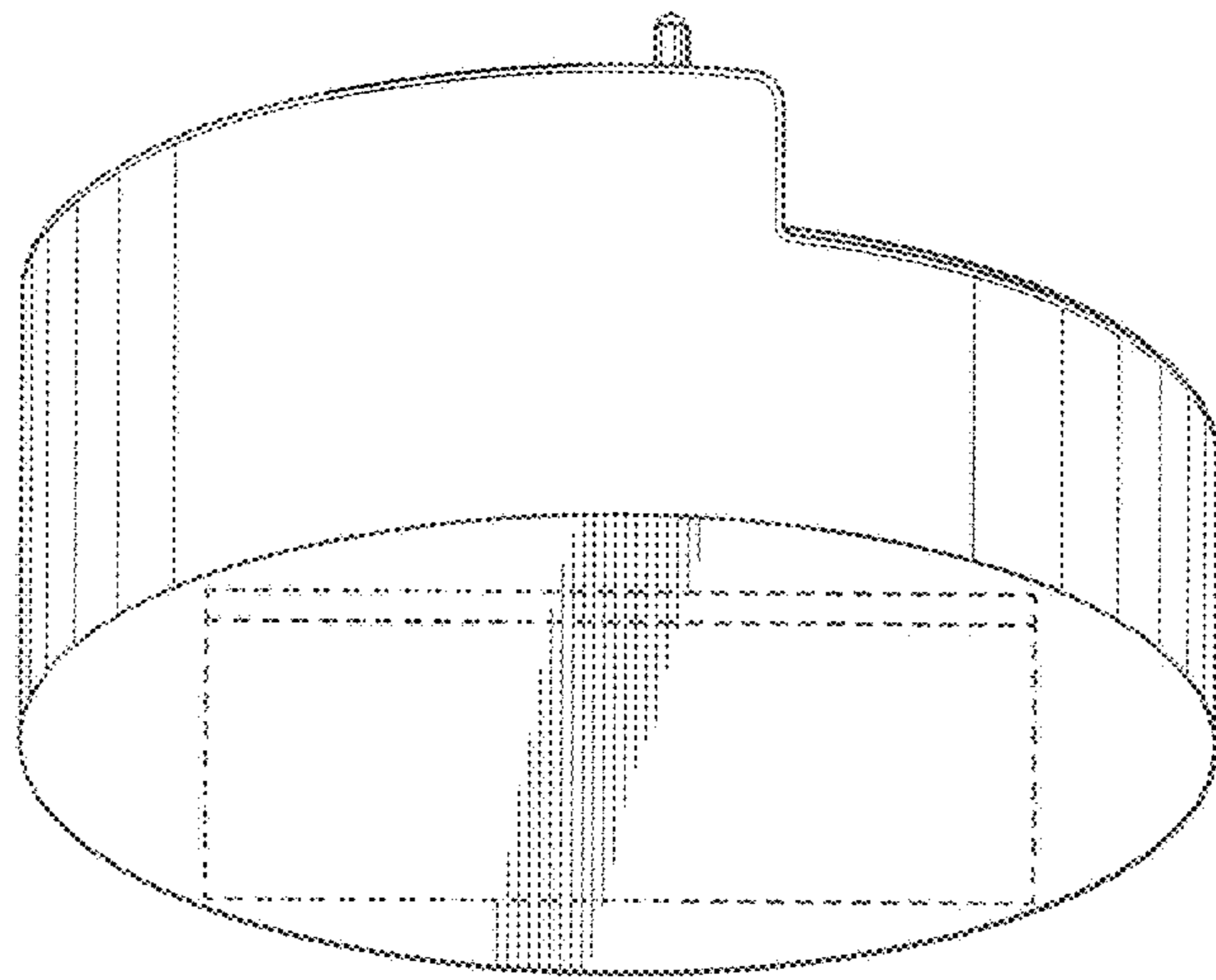


FIG. 8