



US00D808189S

(12) **United States Design Patent**  
**Cohen**

(10) **Patent No.:** **US D808,189 S**  
(45) **Date of Patent:** **\*\* Jan. 23, 2018**

- (54) **SOAP HOLDER**
- (71) Applicant: **Bernard M. Cohen**, Miami, FL (US)
- (72) Inventor: **Bernard M. Cohen**, Miami, FL (US)
- (\*\*) Term: **15 Years**
- (21) Appl. No.: **29/581,355**
- (22) Filed: **Oct. 18, 2016**
- (51) **LOC (11) Cl.** ..... **23-02**
- (52) **U.S. Cl.**  
USPC ..... **D6/536**
- (58) **Field of Classification Search**  
USPC ..... D6/536-537, 524, 525, 540, 566, 567,  
D6/320; 211/13.1, 74, 71.01, 86.01, 75,  
211/88.01, 90.01, 90.03, 106, 119, 126.1,  
211/133.5, 181.1, 134, 87.01; D3/306;  
D32/55-56; D7/637; 248/206.2-206.3  
CPC .. B23P 17/04; A47K 1/09; A47K 1/08; A47K  
3/281; F16B 47/00  
See application file for complete search history.

2,900,757 A	8/1959	Grimm, Jr.	
2,932,119 A	4/1960	Borah	
2,934,852 A	5/1960	Heberling	
2,968,888 A	1/1961	Borah	
3,029,547 A	4/1962	Ross, Jr. et al.	
D193,085 S	6/1962	White	
3,315,933 A	4/1967	Tatham	
D212,369 S	10/1968	Hagopian	
3,697,111 A	10/1972	Thompson	
D249,628 S *	9/1978	Levine .....	D6/403
D253,928 S *	1/1980	Murphy .....	D11/152
4,203,568 A	5/1980	Daugherty	
4,331,232 A	5/1982	Larkin	
D270,799 S *	10/1983	Creske .....	D6/707.24
D272,588 S	2/1984	Shames et al.	
4,621,730 A	11/1986	Mancusi, Jr.	
D298,498 S	11/1988	Greenhut et al.	
D312,740 S	12/1990	Greenhut et al.	

(Continued)

*Primary Examiner* — David G Muller  
*Assistant Examiner* — Nathan M Johnston  
(74) *Attorney, Agent, or Firm* — Malloy & Malloy, P.L.

(57) **CLAIM**

The ornamental design for a soap holder, as shown and described.

**DESCRIPTION**

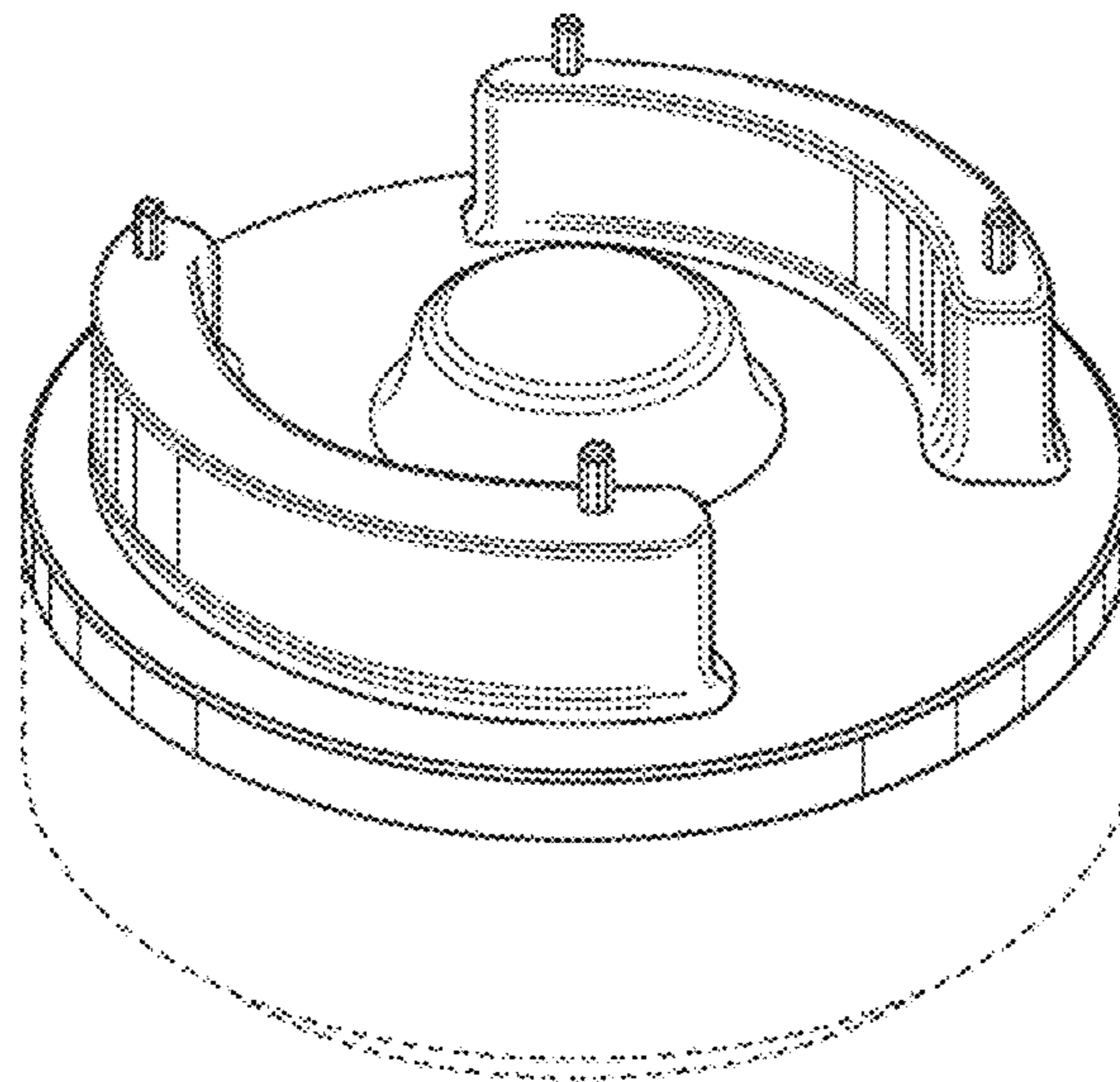
FIG. 1 is a front perspective view showing my new design for a soap holder;  
FIG. 2 is a front elevation view thereof;  
FIG. 3 is a right side elevation view thereof;  
FIG. 4 is a top plan view thereof;  
FIG. 5 is a left elevation view thereof;  
FIG. 6 is a bottom plan view thereof;  
FIG. 7 is a rear elevation view thereof; and,  
FIG. 8 is a bottom perspective view thereof.  
The broken line showing of parts of the drawings is included for the purpose of illustrating use and environment and forms no part of the claimed design.

**1 Claim, 8 Drawing Sheets**

(56) **References Cited**

U.S. PATENT DOCUMENTS

539,698 A	5/1895	Milligan	
624,809 A	5/1899	Howe	
D57,719 S *	4/1921	Pfeiffer .....	D7/584
D70,381 S	6/1926	Matthews	
1,859,492 A	5/1932	Balestra	
D103,307 S *	2/1937	Cory .....	248/94
2,194,997 A	3/1940	Butler	
D137,131 S	1/1944	Reefe	
D137,908 S	5/1944	Benoto	
D141,011 S	4/1945	Madan	
2,568,714 A	9/1951	Britton	
2,586,626 A	2/1952	Dunn	
D167,234 S	7/1952	Simpson	
2,717,472 A	9/1955	Wilmington	
D184,064 S	12/1958	Arjona	



(56)

References Cited

U.S. PATENT DOCUMENTS

4,993,546 A 2/1991 Southard  
 5,011,316 A 4/1991 Damon  
 D334,860 S \* 4/1993 Brown ..... D24/145  
 D336,596 S \* 6/1993 Osgood ..... D7/542  
 5,242,063 A 9/1993 Ericksen et al.  
 D341,501 S 11/1993 Tiramani et al.  
 D341,972 S 12/1993 Tiramani et al.  
 D343,319 S \* 1/1994 Phillips ..... D24/145  
 5,279,412 A 1/1994 Lee  
 5,680,929 A 10/1997 Von Seidel  
 D390,393 S 2/1998 Sharpe  
 D396,172 S \* 7/1998 Nask ..... D7/615  
 D396,770 S 8/1998 Hoernig  
 D408,187 S 4/1999 Forcella, Jr.  
 D413,469 S 9/1999 Hampshire  
 D420,236 S \* 2/2000 Parkes ..... D6/515  
 D435,992 S 1/2001 Min-Tsung  
 D440,441 S 4/2001 Gottwald  
 D449,752 S 10/2001 Snell  
 D450,965 S 11/2001 Weinberg  
 D494,425 S \* 8/2004 Segura ..... D7/608  
 6,857,616 B1 2/2005 Gasperi et al.  
 D504,262 S \* 4/2005 Lee ..... D6/536  
 D505,595 S \* 5/2005 Kujawski ..... D7/619.1  
 6,966,445 B1 11/2005 Johanna  
 D522,780 S \* 6/2006 Sellars ..... D6/518  
 D523,293 S \* 6/2006 Disbrow ..... D7/619.1  
 D527,954 S \* 9/2006 Roth ..... D7/557  
 D530,157 S \* 10/2006 Bodum ..... D7/603  
 D532,234 S 11/2006 Snell

D532,639 S 11/2006 Snell  
 D549,503 S 8/2007 Nagoya  
 D555,389 S \* 11/2007 Kershaw ..... D6/403  
 D573,847 S \* 7/2008 Bizzell ..... D7/541  
 7,424,949 B2 9/2008 Kumar  
 D600,500 S \* 9/2009 Bizzell ..... D7/541  
 D608,126 S \* 1/2010 Buck ..... D6/551  
 D614,813 S 4/2010 Massell  
 7,789,654 B2 9/2010 Lenard  
 7,934,449 B2 \* 5/2011 Anderson ..... B65D 1/36  
 206/508  
 D646,099 S 10/2011 Mu et al.  
 D667,277 S \* 9/2012 Belitz ..... D7/619.1  
 D681,989 S 5/2013 Pixley  
 D690,128 S 9/2013 Cage  
 8,523,125 B1 9/2013 Jardine  
 D699,474 S 2/2014 Roberts  
 D704,904 S 5/2014 Anderson et al.  
 D725,401 S 3/2015 Tang  
 D725,402 S 3/2015 Tang  
 9,220,378 B2 12/2015 Urban  
 D763,598 S 8/2016 Goodman et al.  
 2003/0178326 A1 9/2003 Belyakov et al.  
 2005/0211575 A1 9/2005 Li  
 2008/0169208 A1 7/2008 Li  
 2012/0085879 A1 \* 4/2012 Hao ..... F16L 347/00  
 248/363  
 2012/0175484 A1 \* 7/2012 Hao ..... F16L 347/00  
 248/363  
 2016/0097419 A1 \* 4/2016 Huang ..... F16L 347/00  
 248/205.7

\* cited by examiner

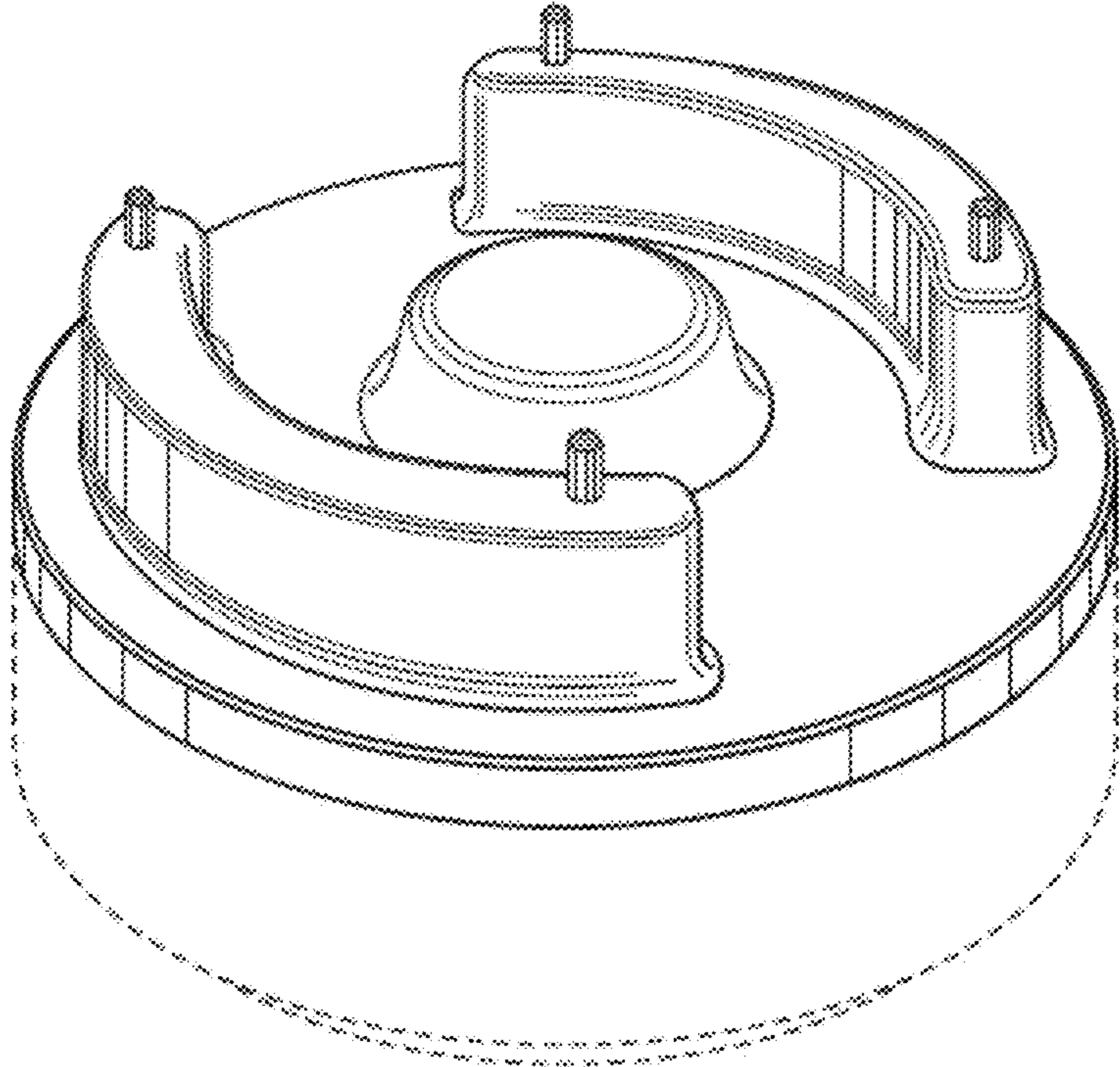


FIG. 1

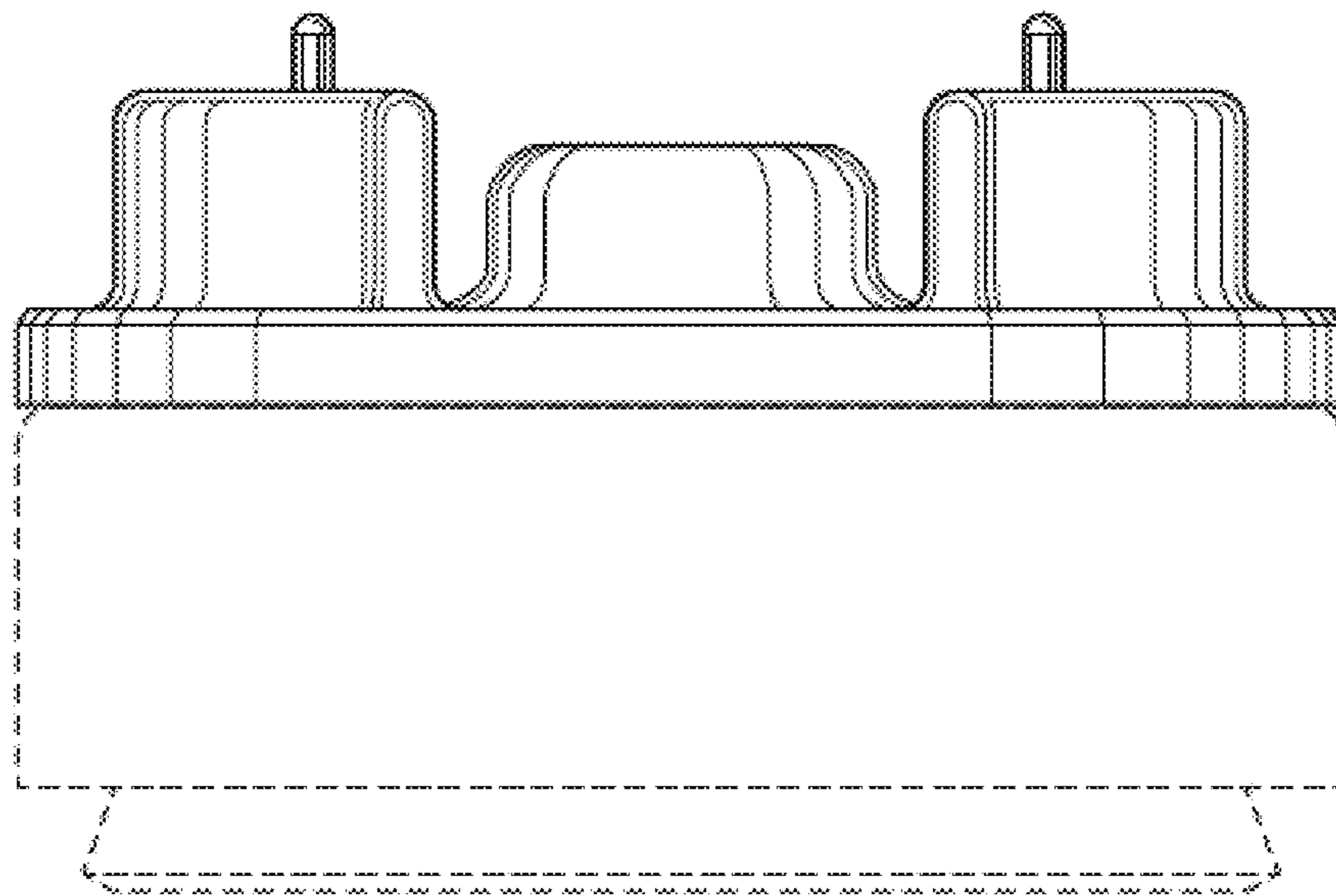


FIG. 2

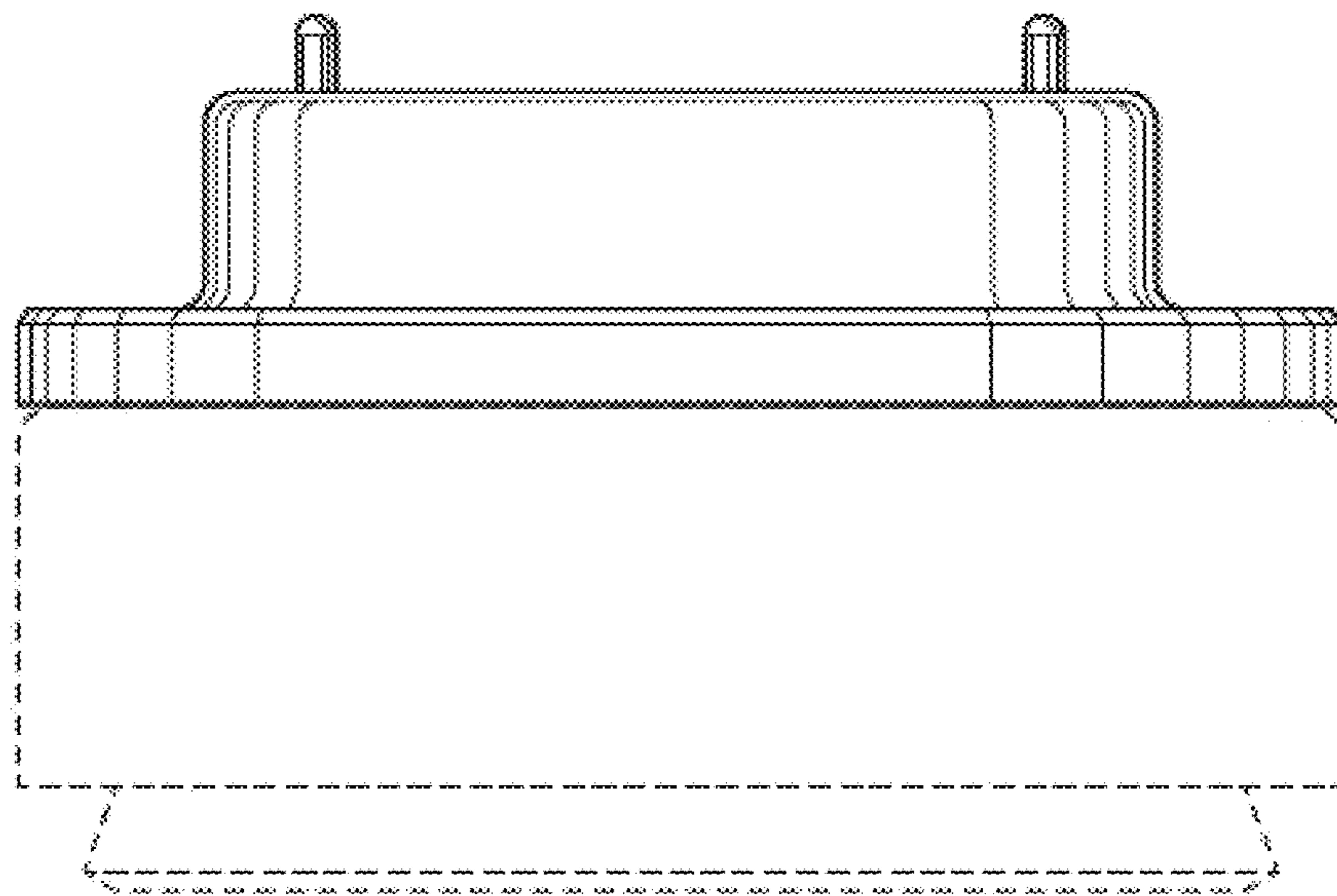


FIG. 3

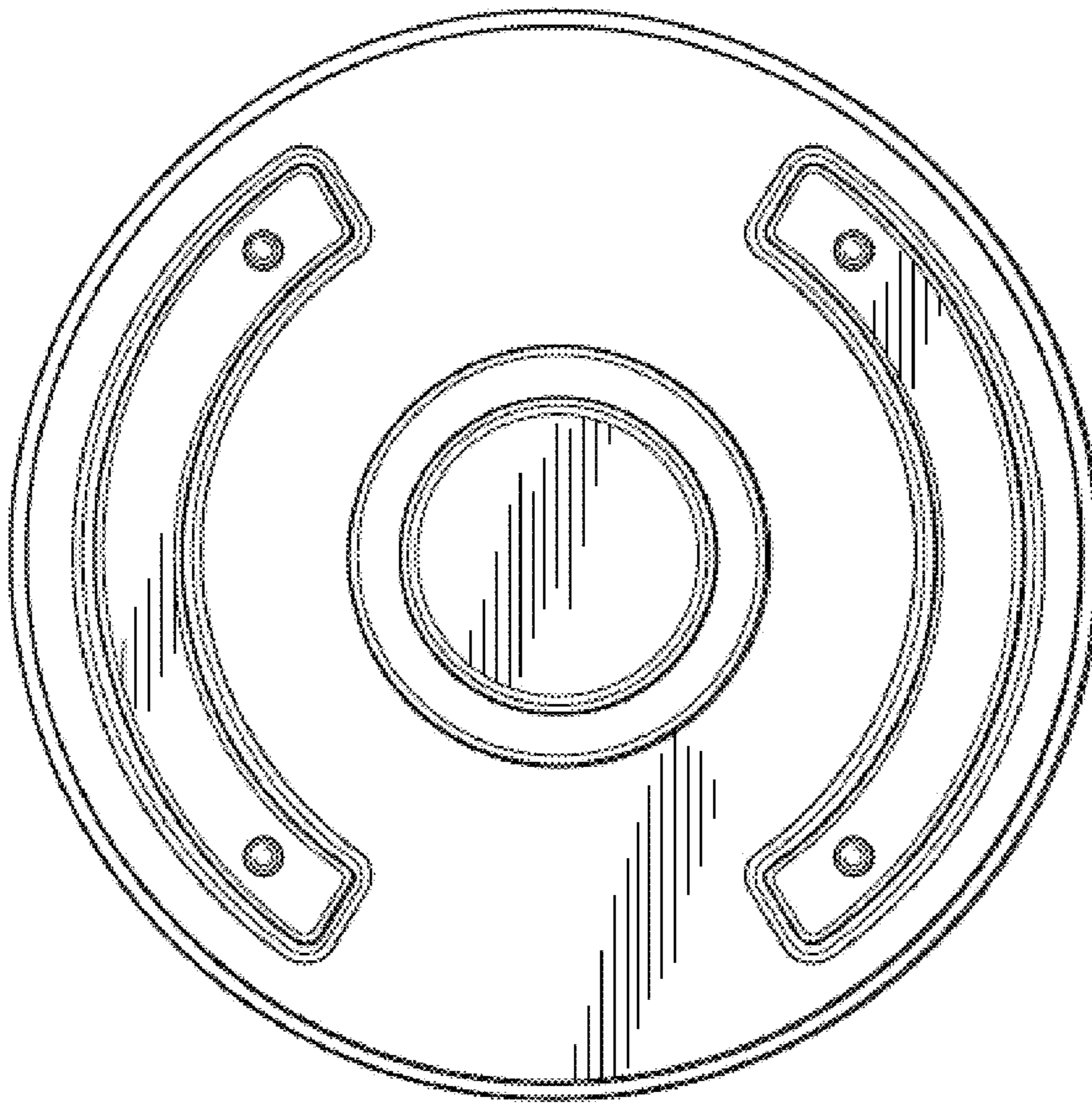


FIG. 4

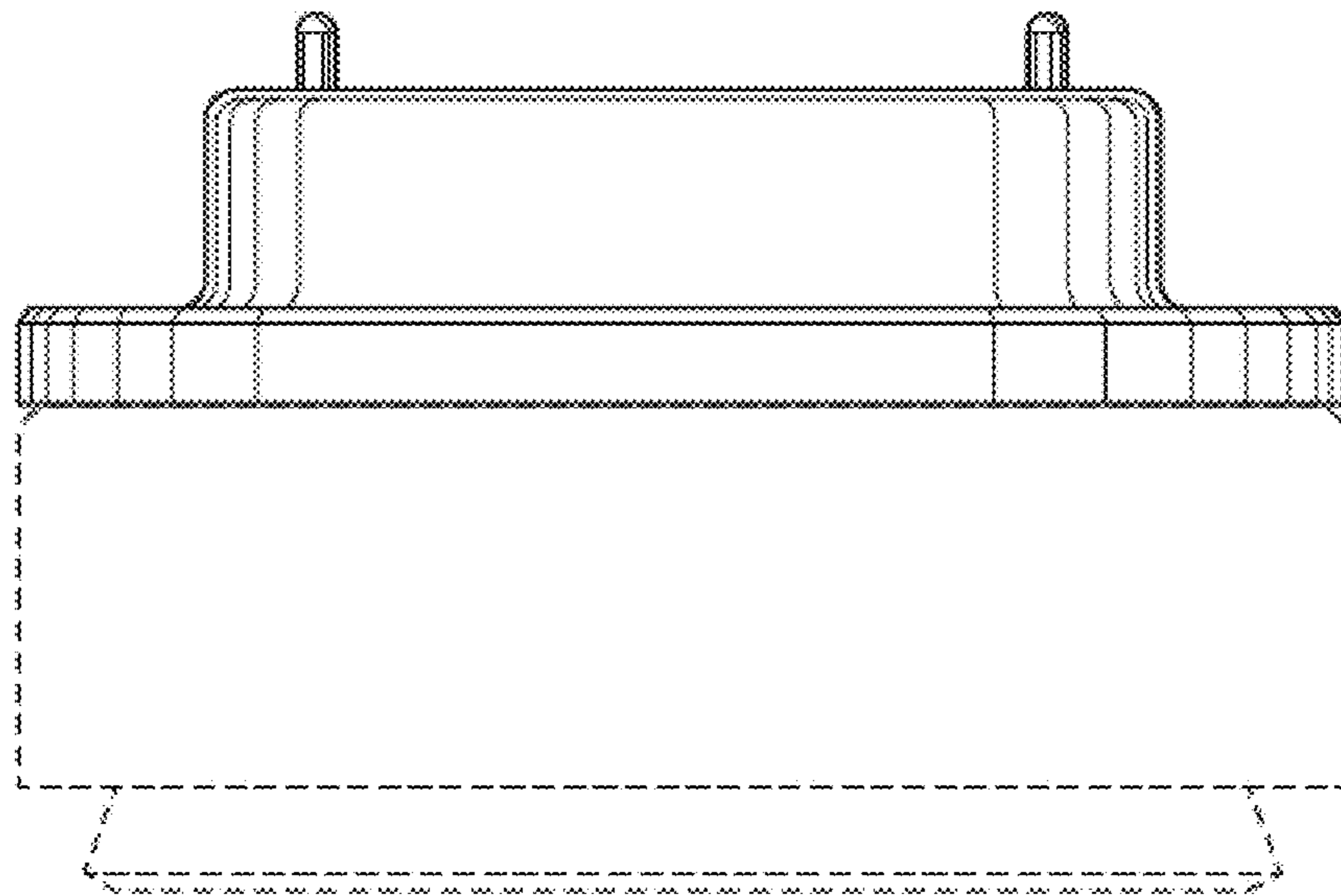


FIG. 5

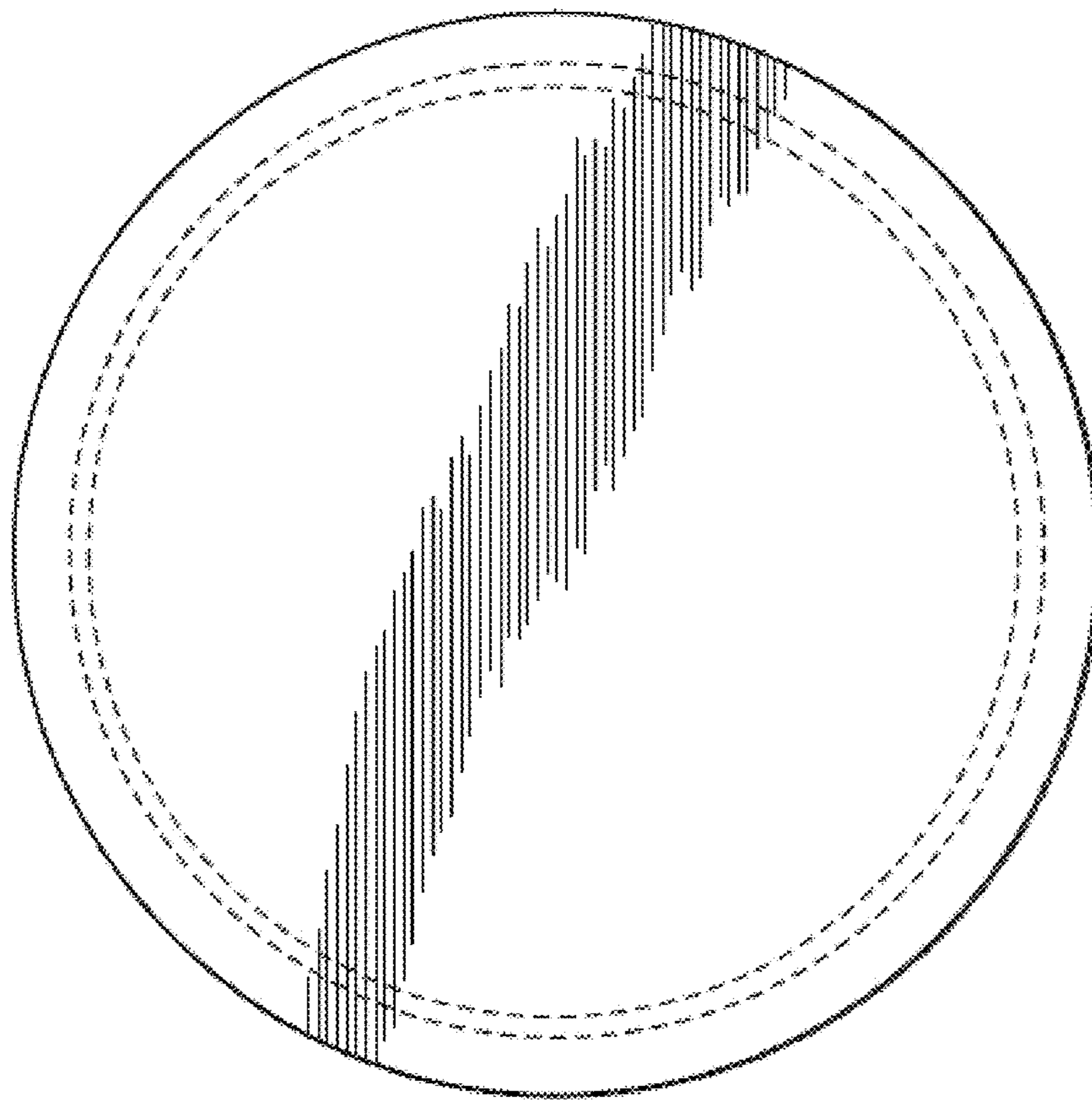


FIG. 6



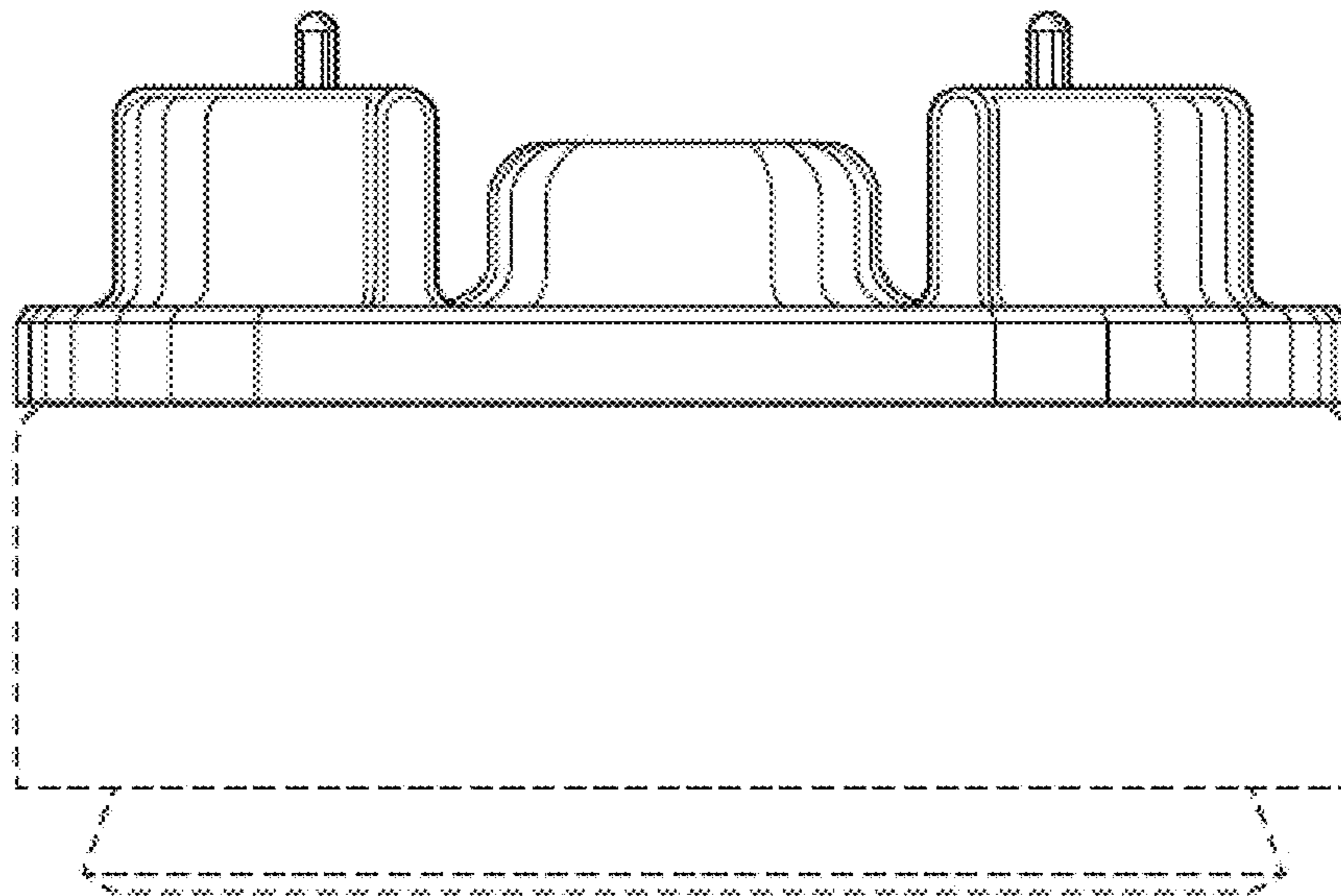


FIG. 7

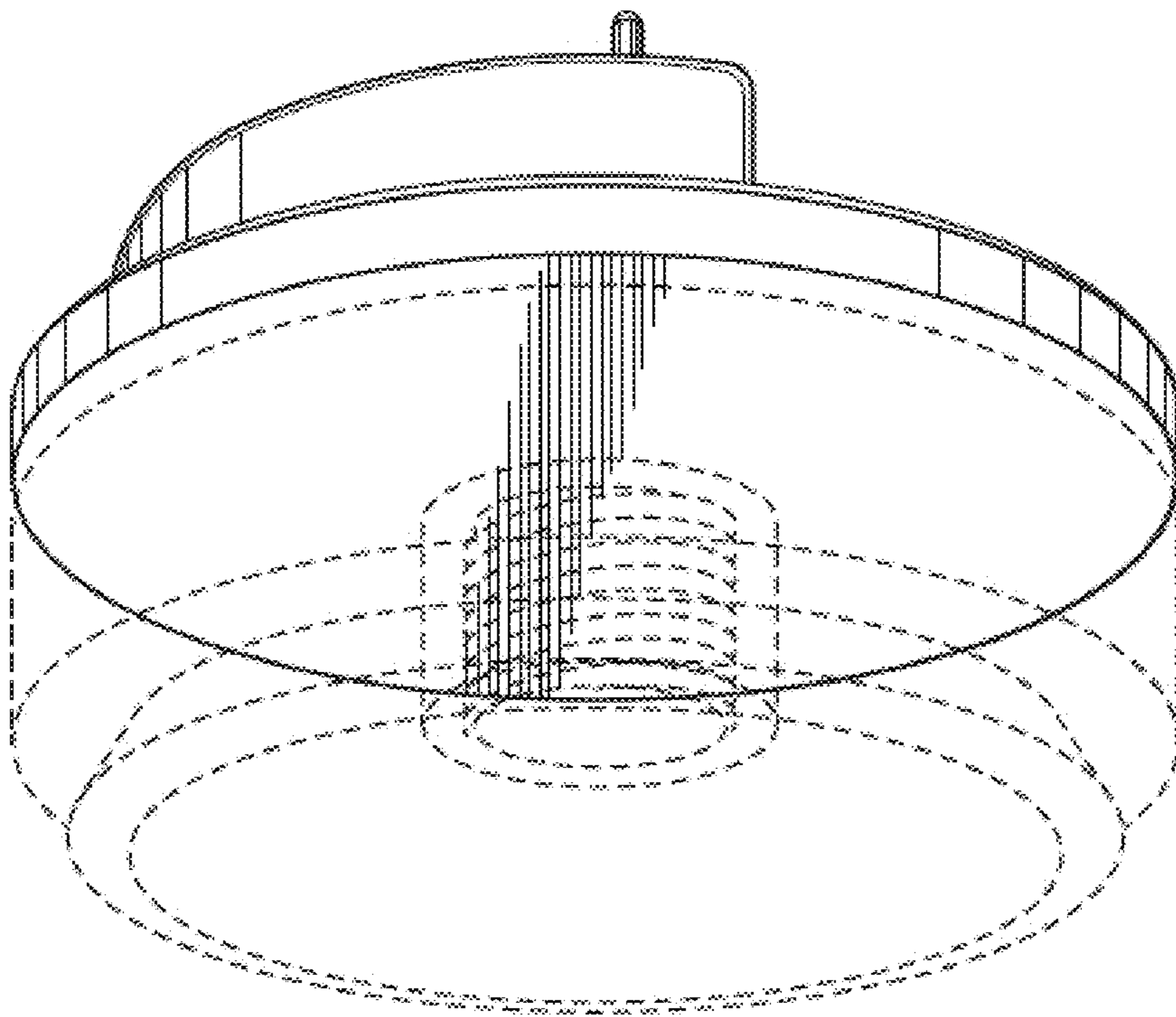


FIG. 8

UNITED STATES PATENT AND TRADEMARK OFFICE  
**CERTIFICATE OF CORRECTION**

PATENT NO. : D808,189 S  
APPLICATION NO. : 29/581355  
DATED : January 23, 2018  
INVENTOR(S) : Cohen

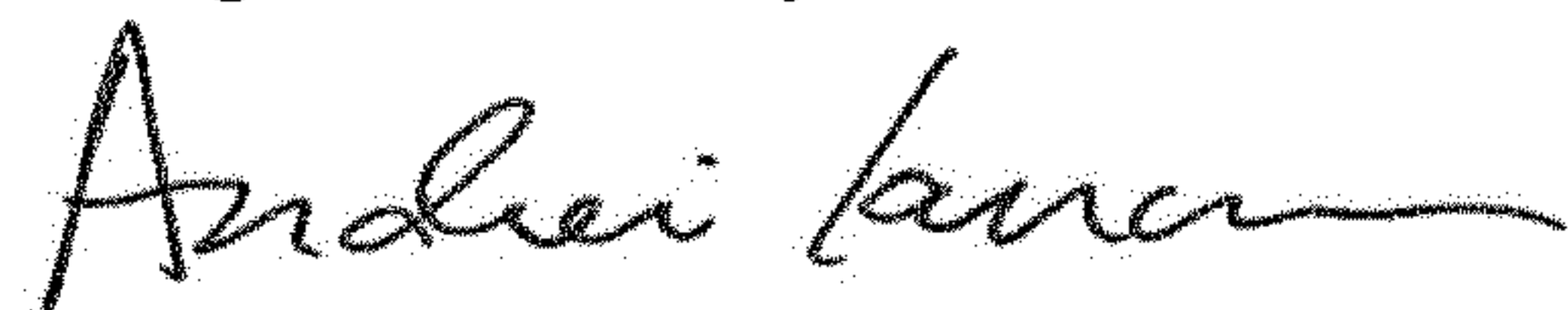
Page 1 of 1

It is certified that error appears in the above-identified patent and that said Letters Patent is hereby corrected as shown below:

On the Title Page

Item (72), "Bernard M. Cohen" should read -- Bernard H. Cohen --.

Signed and Sealed this  
Eighteenth Day of June, 2019



Andrei Iancu  
*Director of the United States Patent and Trademark Office*