



US00D808188S

(12) **United States Design Patent** (10) **Patent No.:** **US D808,188 S**
Cockburn et al. (45) **Date of Patent:** **** Jan. 23, 2018**

(54) **COSMETICS CADDY**
(71) Applicant: **Paris Presents Incorporated**, Gurnee, IL (US)
(72) Inventors: **Saul Cockburn**, Queensland (AU);
Josh Cockburn, Queensland (AU);
Angus Chapman, Queensland (AU);
Aiden Thomlinson, Queensland (AU)
(73) Assignee: **Paris Presents Incorporated**, Gurnee, IL (US)
(**) Term: **15 Years**
(21) Appl. No.: **29/586,185**
(22) Filed: **Dec. 1, 2016**
(51) **LOC (11) Cl.** **06-06**
(52) **U.S. Cl.**
USPC **D6/513**
(58) **Field of Classification Search**
USPC D6/512-514, 553, 525, 524, 536, 540,
D6/566; 211/13.1, 74, 71.01, 86.01, 75,
211/126.1, 133.5, 181.1, 134; D3/304
CPC A47K 17/00; A47K 3/281; A47K 3/001;
B23P 17/04; A47B 57/265; A47B 57/565
See application file for complete search history.

D563,136 S * 3/2008 Kramer D6/553
D566,919 S * 4/2008 Snell D32/55
D589,728 S * 4/2009 Shaha D3/304
D601,838 S * 10/2009 Boutin D6/553
D601,839 S * 10/2009 Boutin D6/553
D606,347 S * 12/2009 Berry D6/553
D607,607 S * 1/2010 Russell D28/38
D610,199 S * 2/2010 Liang D19/86
D614,427 S * 4/2010 Nejad D6/553
D639,092 S * 6/2011 Lundy D6/513
D693,595 S * 11/2013 Pierre-Pipkin D6/513
D704,949 S * 5/2014 Rodriguez D6/513
D725,932 S * 4/2015 Balogh D6/513
D725,933 S * 4/2015 Balogh D6/513
D725,934 S * 4/2015 Balogh D6/513
D726,446 S * 4/2015 Tollasepp D6/553
2011/0016632 A1 * 1/2011 Hopf A47B 97/00
5/503.1

* cited by examiner

Primary Examiner — David G Muller
Assistant Examiner — Nathan M Johnston
(74) *Attorney, Agent, or Firm* — The Ollila Law Group LLC

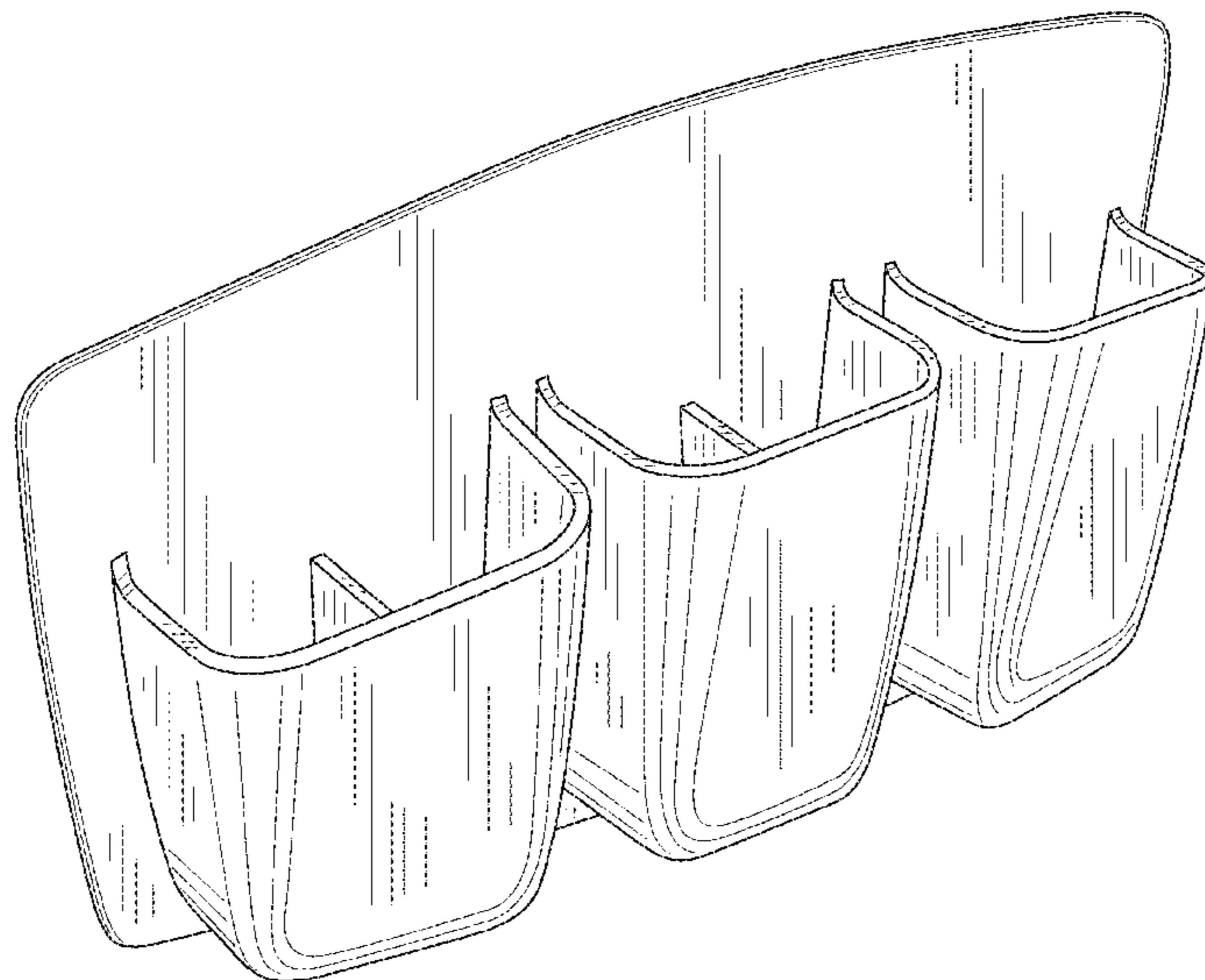
(57) **CLAIM**
The ornamental design for a cosmetics caddy, substantially as shown and described.

DESCRIPTION

FIG. 1 is a perspective view of a cosmetics caddy showing our new design;
FIG. 2 is a front elevation view thereof;
FIG. 3 is a rear elevation view thereof;
FIG. 4 is a left side elevation view thereof;
FIG. 5 is a right side elevation view thereof;
FIG. 6 is a top plan view thereof; and,
FIG. 7 is a bottom plan view thereof.
Broken lines of FIGS. 6 and 7 illustrate portions of the cosmetics caddy that form no part of the claimed invention.

1 Claim, 5 Drawing Sheets

(56) **References Cited**
U.S. PATENT DOCUMENTS
D316,834 S * 5/1991 Mendenhall D11/143
D327,014 S * 6/1992 Heller D34/6
D341,624 S * 11/1993 Evenson D19/75
D365,714 S * 1/1996 Masello D6/526
D437,151 S * 2/2001 Gerstmar D3/313
D494,797 S * 8/2004 Ramnauth D6/553
D497,755 S * 11/2004 Wood D6/553
D535,842 S * 1/2007 Wood D6/567
D544,272 S * 6/2007 Chen D6/553



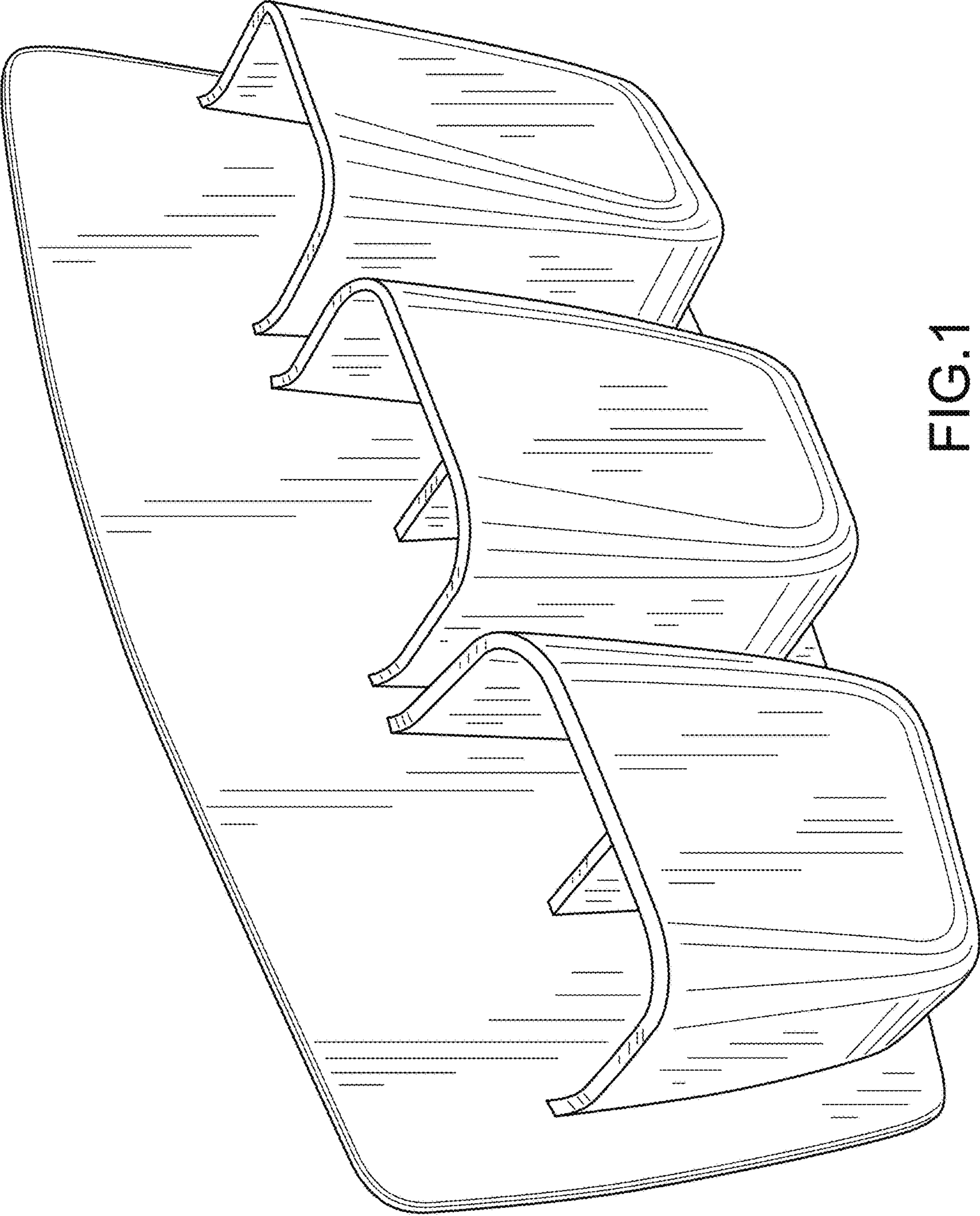


FIG.1

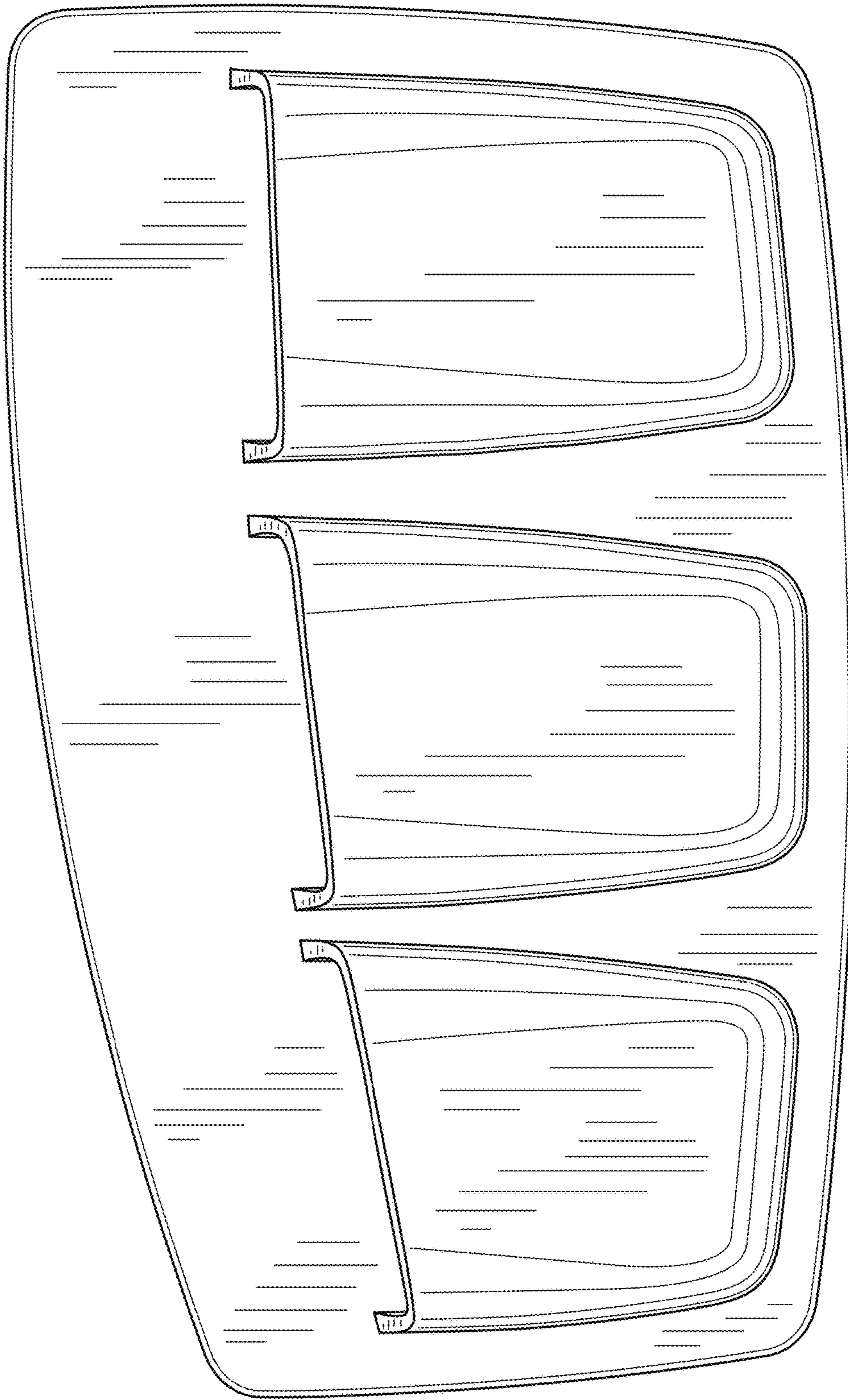


FIG. 2

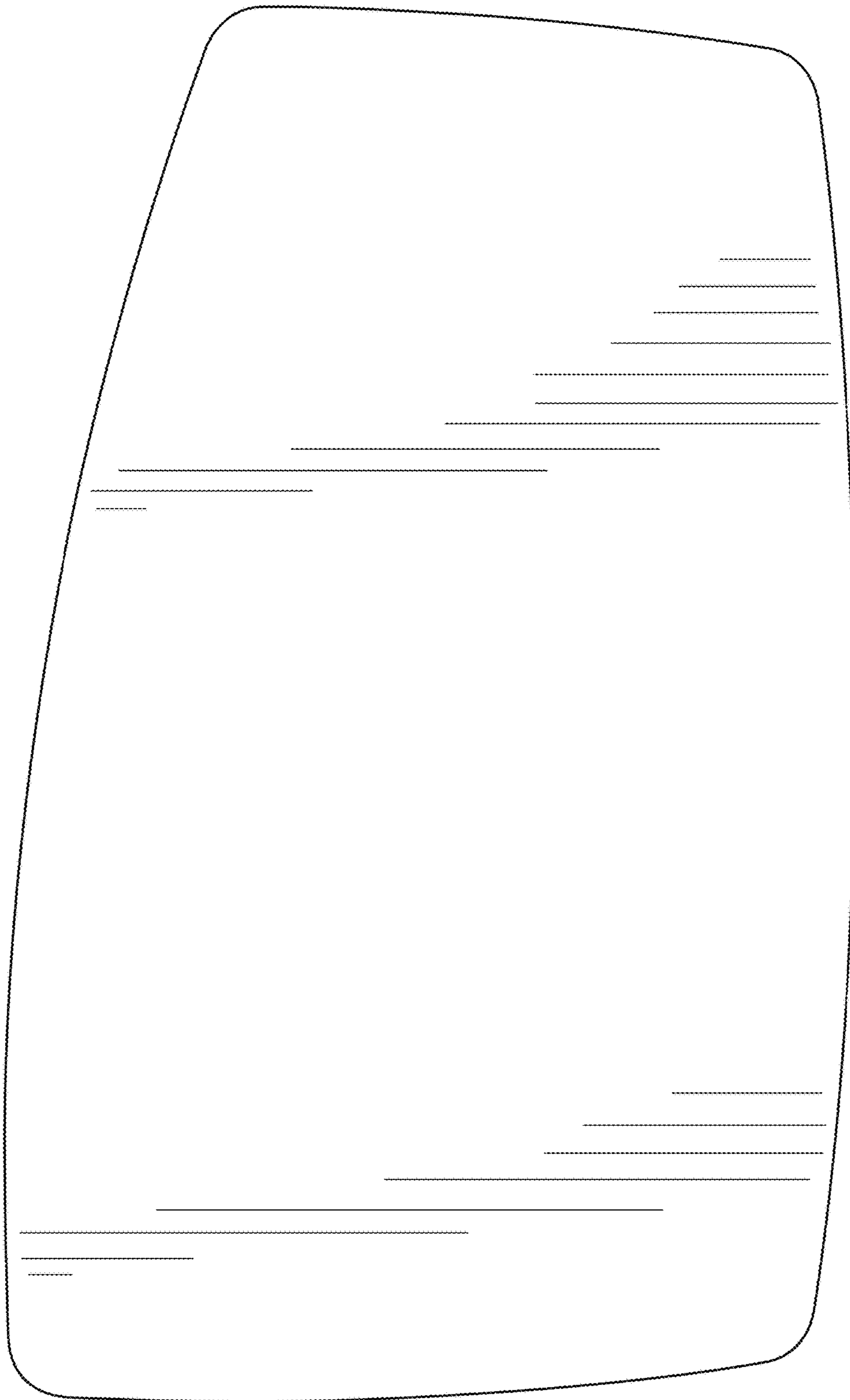


FIG. 3

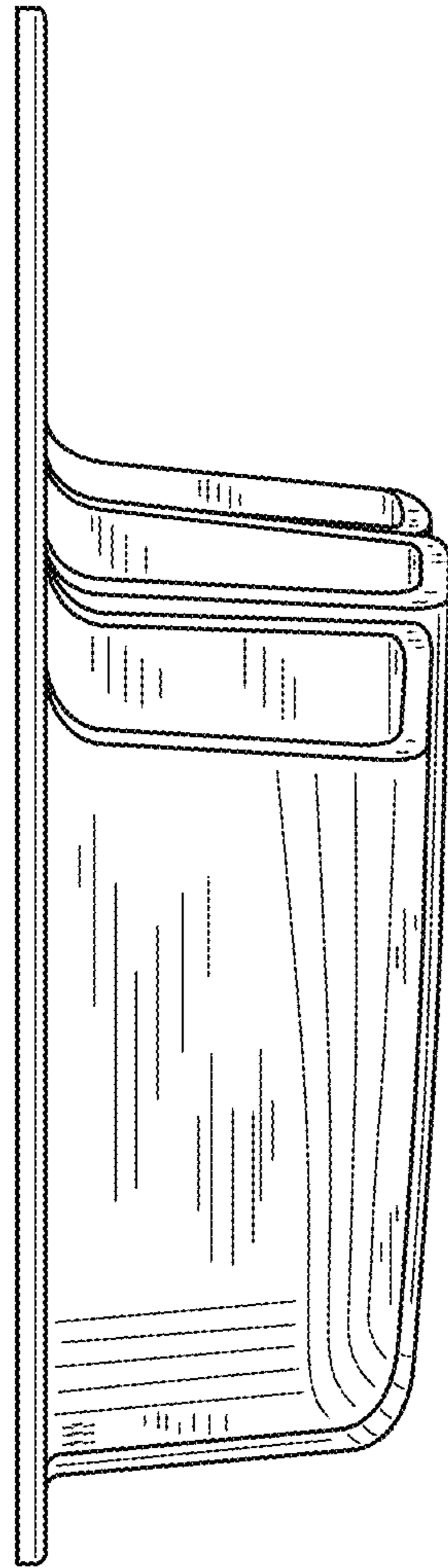


FIG.4

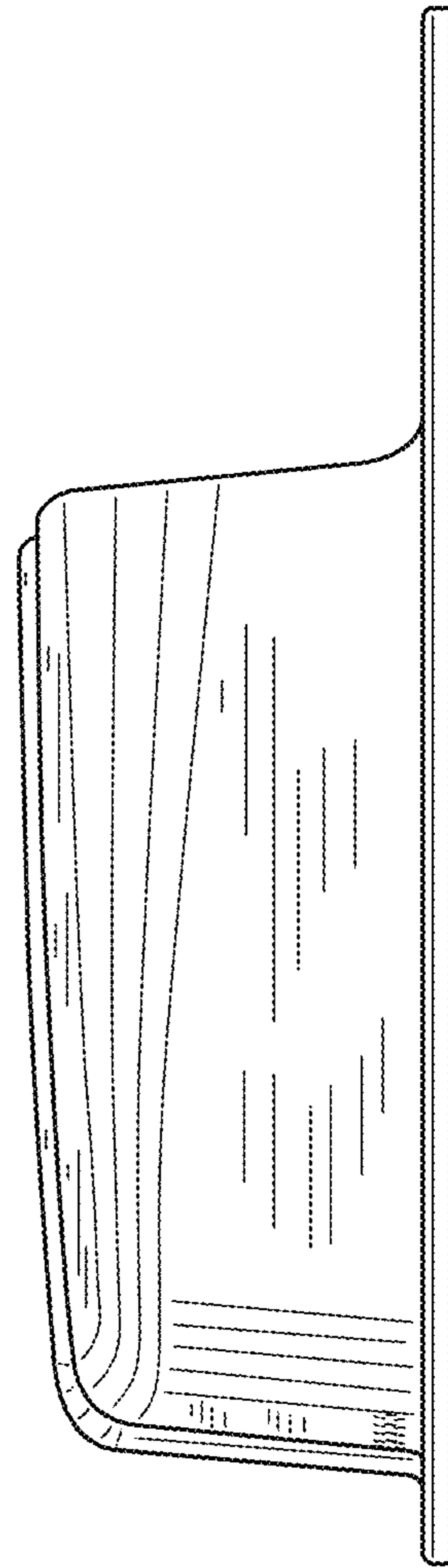


FIG.5

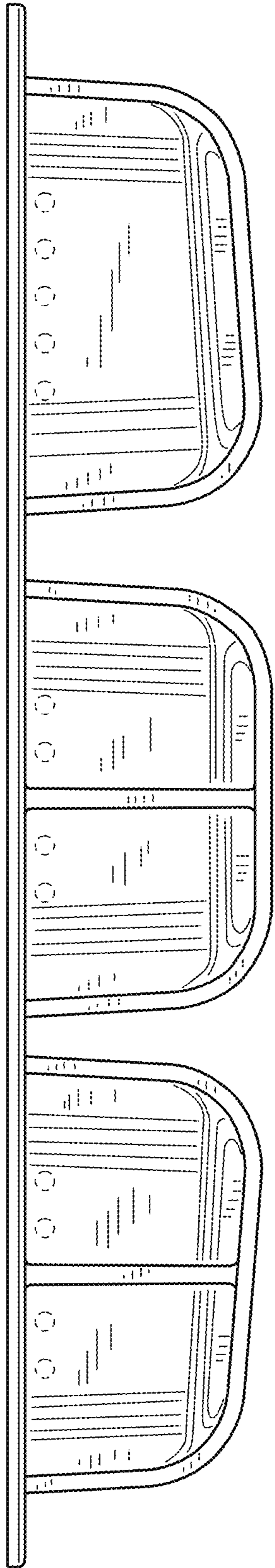


FIG. 6

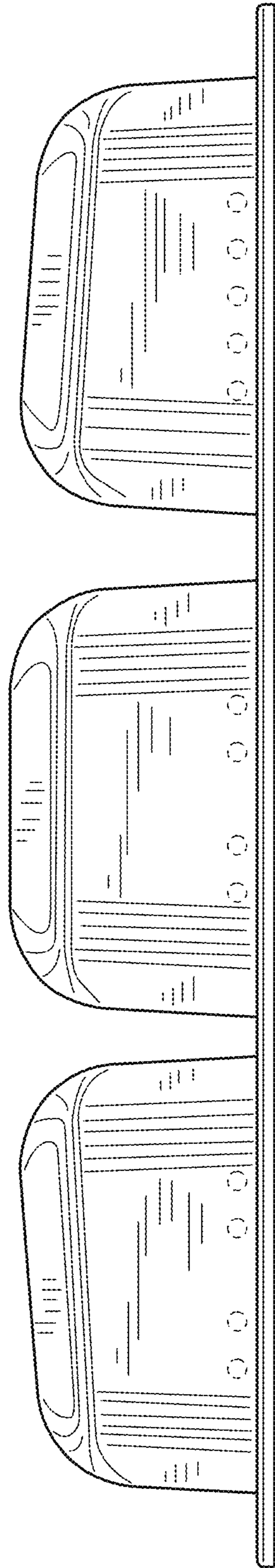


FIG. 7