



US00D808184S

(12) **United States Design Patent**
Poldmaa

(10) **Patent No.:** **US D808,184 S**

(45) **Date of Patent:** **** Jan. 23, 2018**

(54) **SHUTTLE DEVICE**

(71) Applicant: **H2FLO PTY LTD.**, Hawks Nest (AU)

(72) Inventor: **Arvo Poldmaa**, Hawks Nest (AU)

(73) Assignee: **H2FLO PTY LTD.**, Hawks Nest (AU)

(**) Term: **15 Years**

(21) Appl. No.: **29/556,230**

(22) Filed: **Feb. 29, 2016**

(30) **Foreign Application Priority Data**

Aug. 28, 2015 (AU) 14532/2015

(51) **LOC (11) Cl.** **06-01**

(52) **U.S. Cl.**
USPC **D6/354; D12/114**

(58) **Field of Classification Search**
USPC D6/340, 354; D12/110, 111, 114, 117,
D12/119

CPC ... B62J 1/002; B62J 1/005; B62J 1/007; B62J
1/26

See application file for complete search history.

(56) **References Cited**

U.S. PATENT DOCUMENTS

2,168,939 A * 8/1939 Kraeft B62J 6/00
12/103
5,211,075 A * 5/1993 Martin-Rossman B62J 11/00
446/227

D369,915 S * 5/1996 Loader D6/358
D481,335 S * 10/2003 Chen D12/114
D485,998 S * 2/2004 Bourget D6/359
D577,919 S * 10/2008 Koshiishi D12/133
D613,083 S * 4/2010 Bassler D6/359
D614,412 S * 4/2010 Koshiishi D12/133
D715,198 S * 10/2014 Cornell D12/114
D722,539 S * 2/2015 Cornell D12/114
D796,386 S * 9/2017 Hu D12/114

* cited by examiner

Primary Examiner — George D. Kirschbaum

Assistant Examiner — Natasha Vujcic

(74) *Attorney, Agent, or Firm* — Andrew F. Young, Esq.;
Lackebach Siegel, LLP

(57) **CLAIM**

The ornamental design for a shuttle device, as shown and described.

DESCRIPTION

FIG. 1 is a front top perspective view of the present invention.

FIG. 2 is a rear perspective view thereof.

FIG. 3 is a right side elevation view thereof.

FIG. 4 is a left side elevation view thereof.

FIG. 5 is a front elevation view thereof.

FIG. 6 is a rear elevation view thereof.

FIG. 7 is a top plan view thereof; and,

FIG. 8 is a bottom plan view thereof.

1 Claim, 7 Drawing Sheets

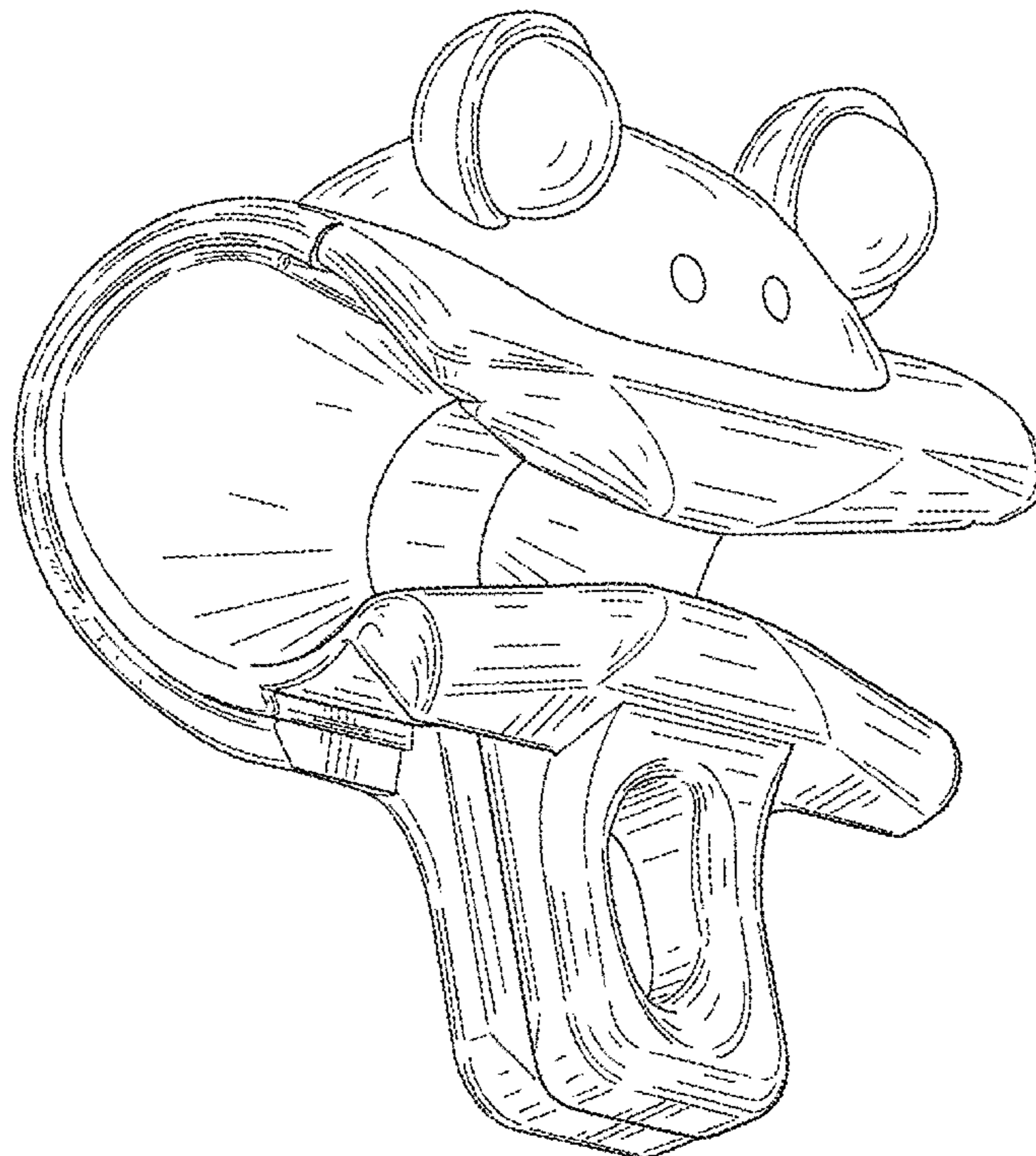




FIG. 1

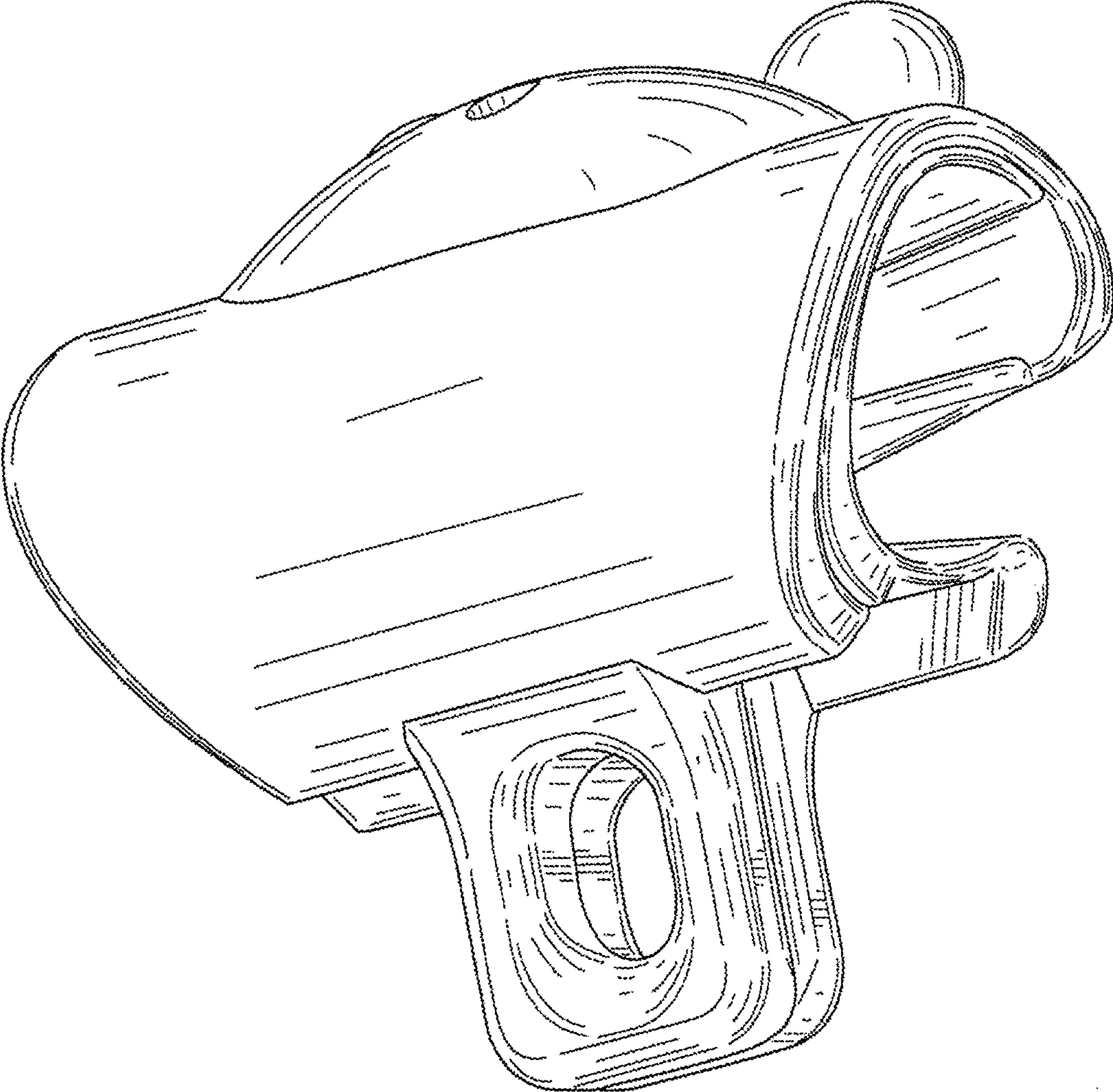


FIG. 2

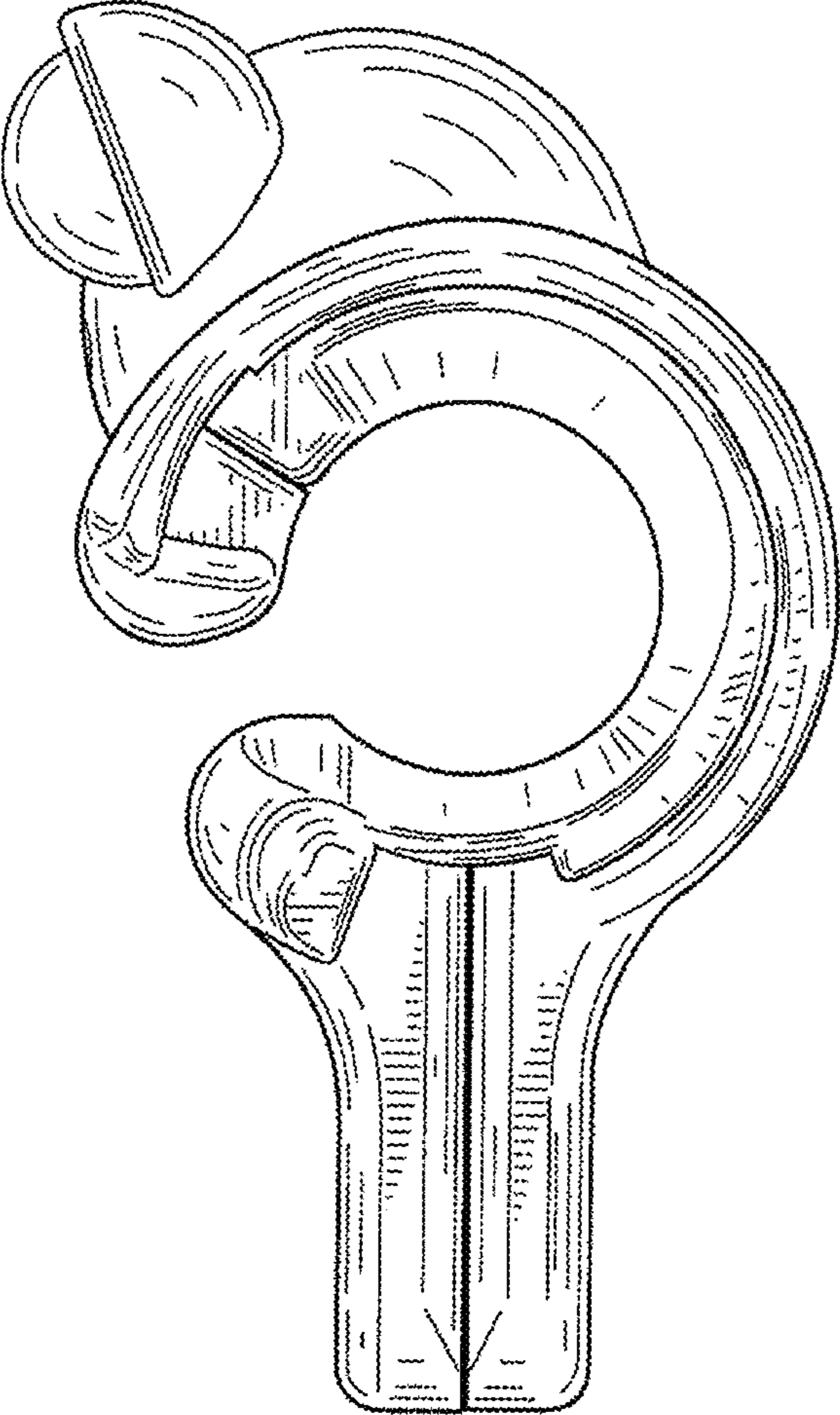


FIG. 3

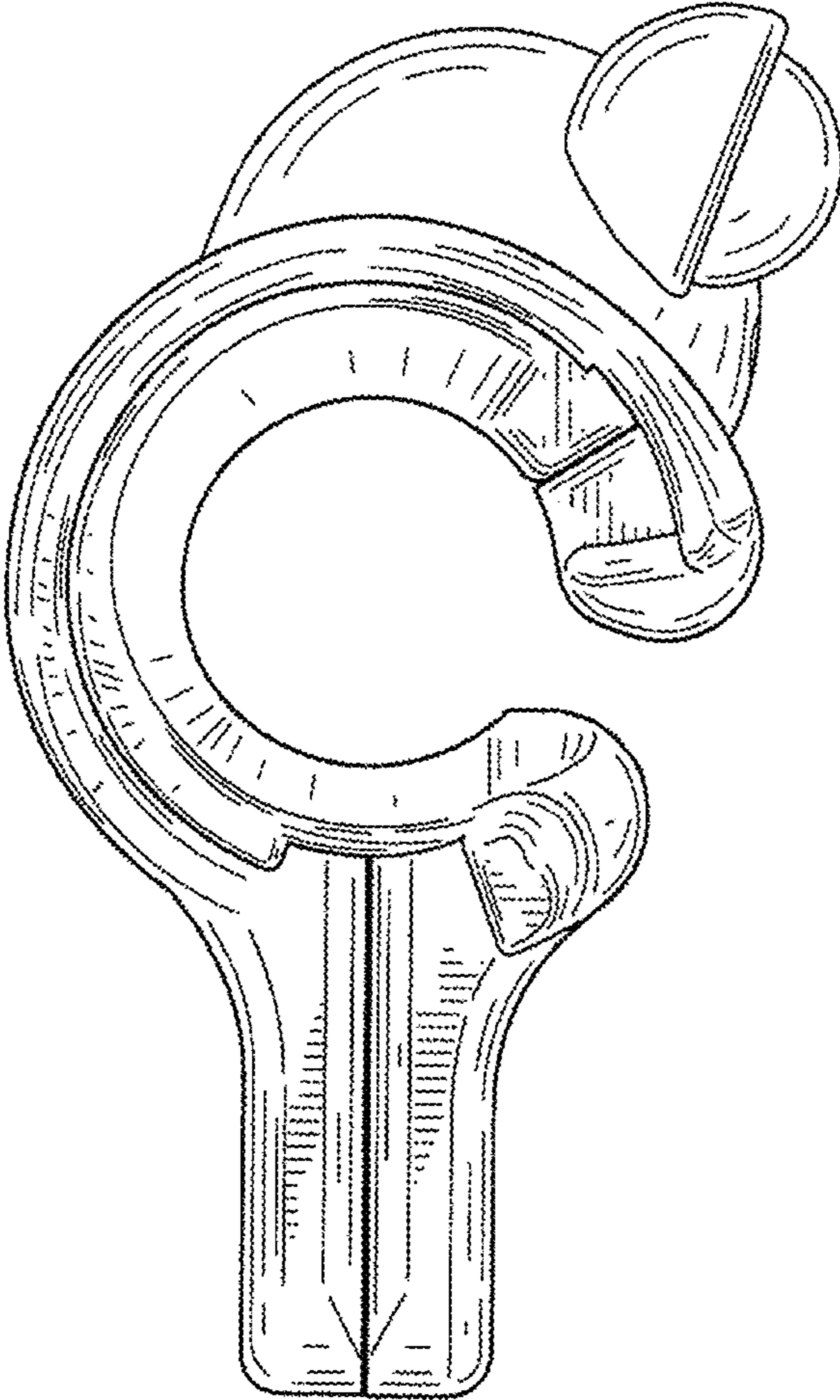


FIG. 4

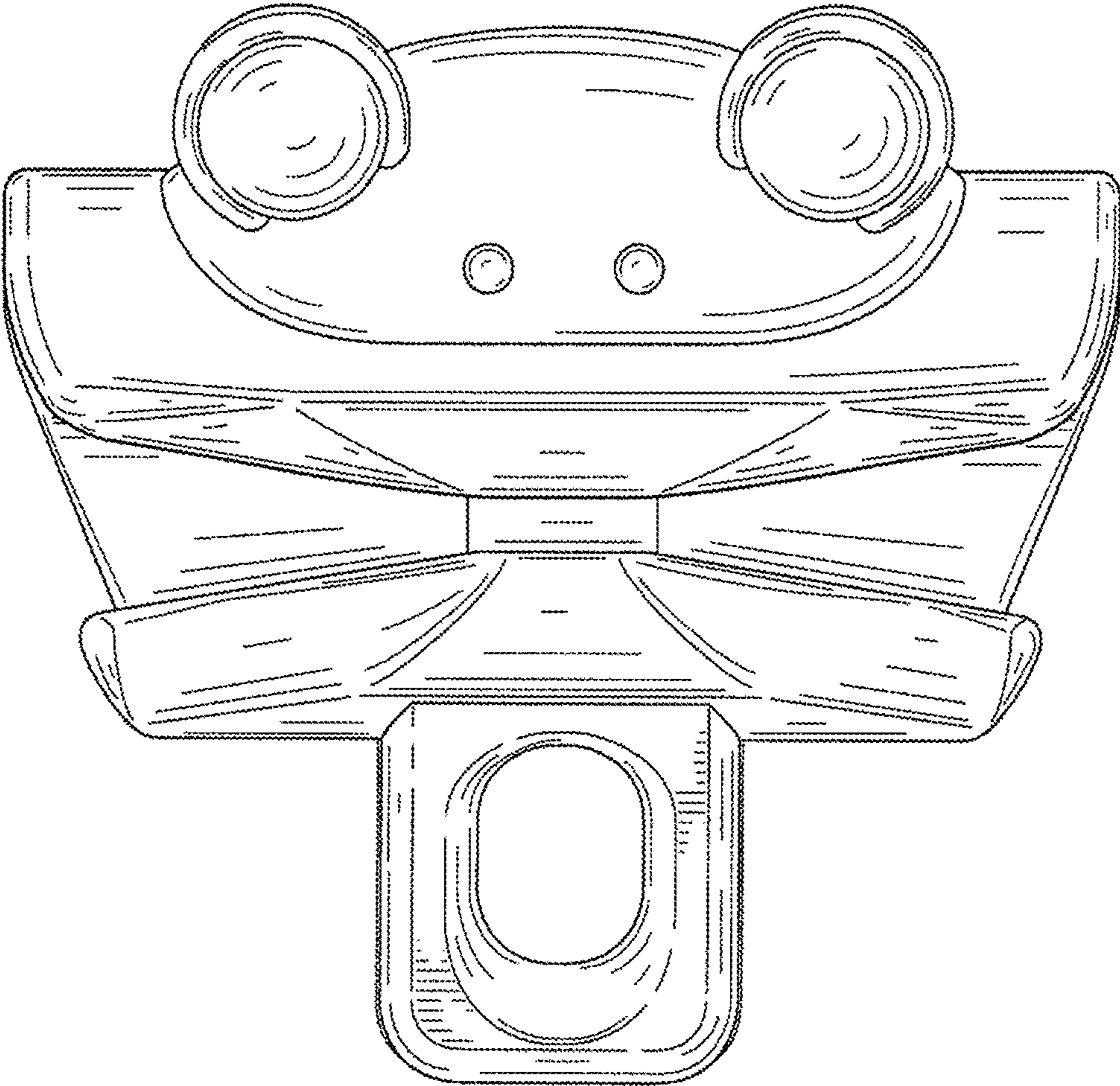


FIG. 5

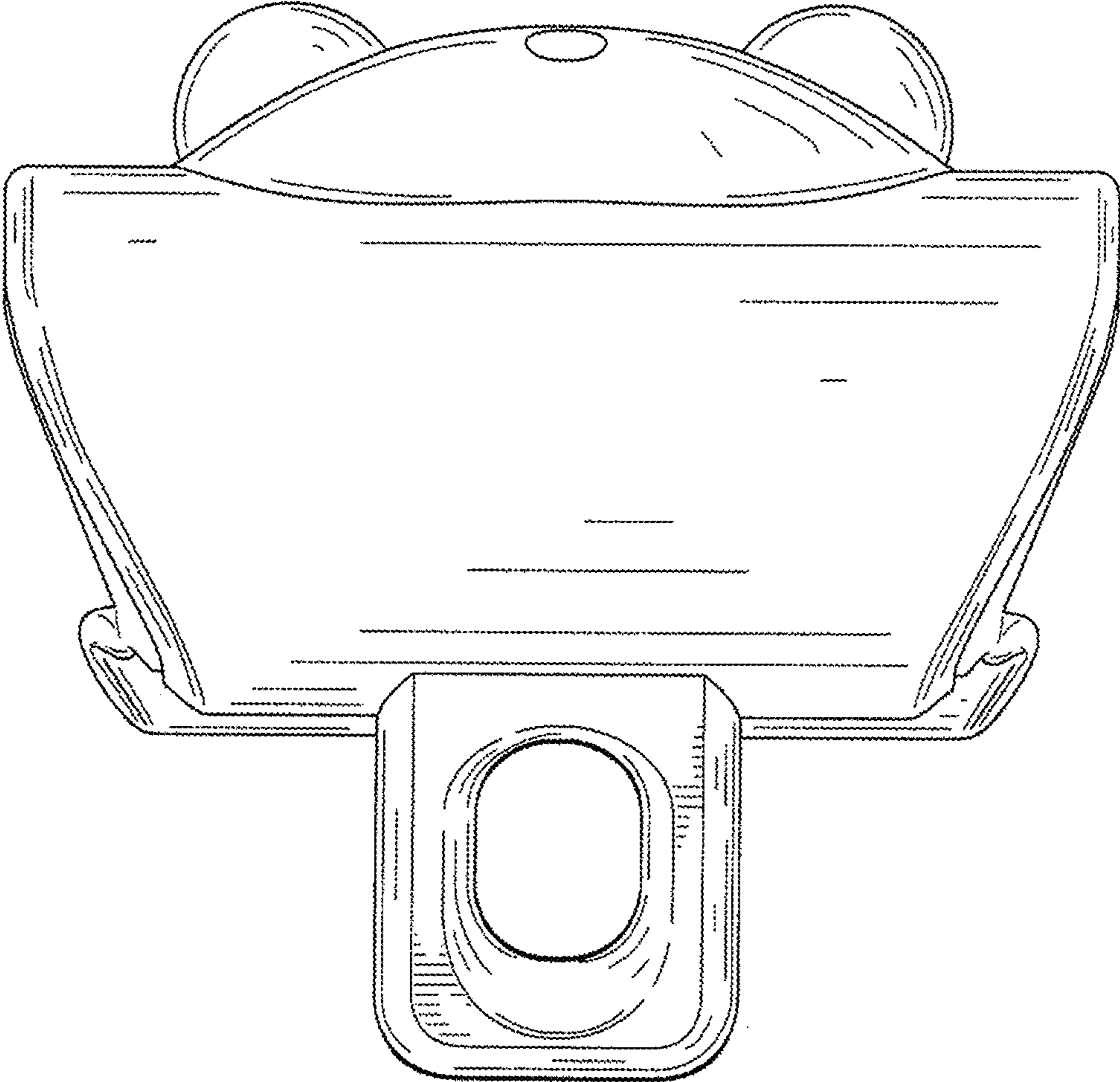


FIG. 6

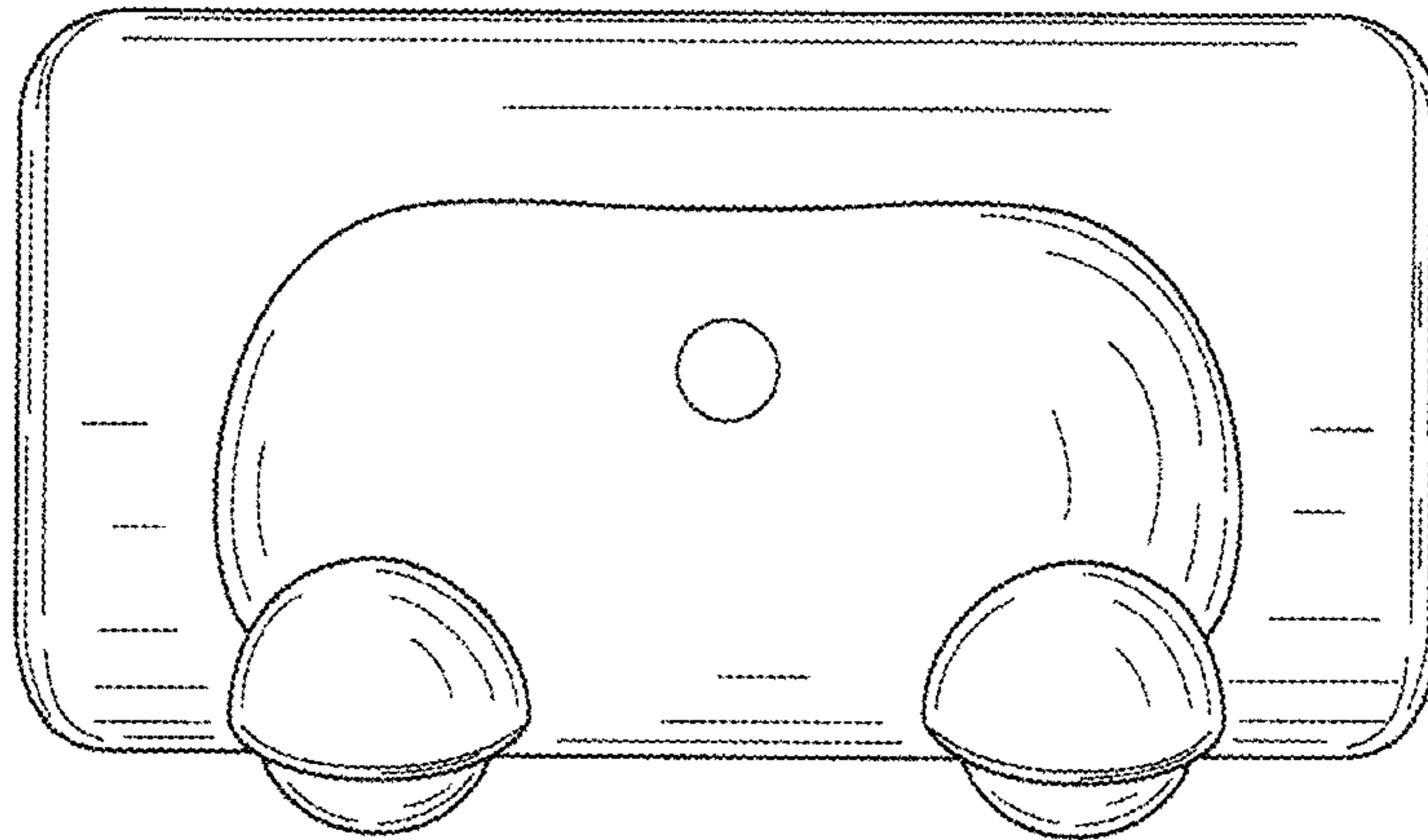


FIG. 7

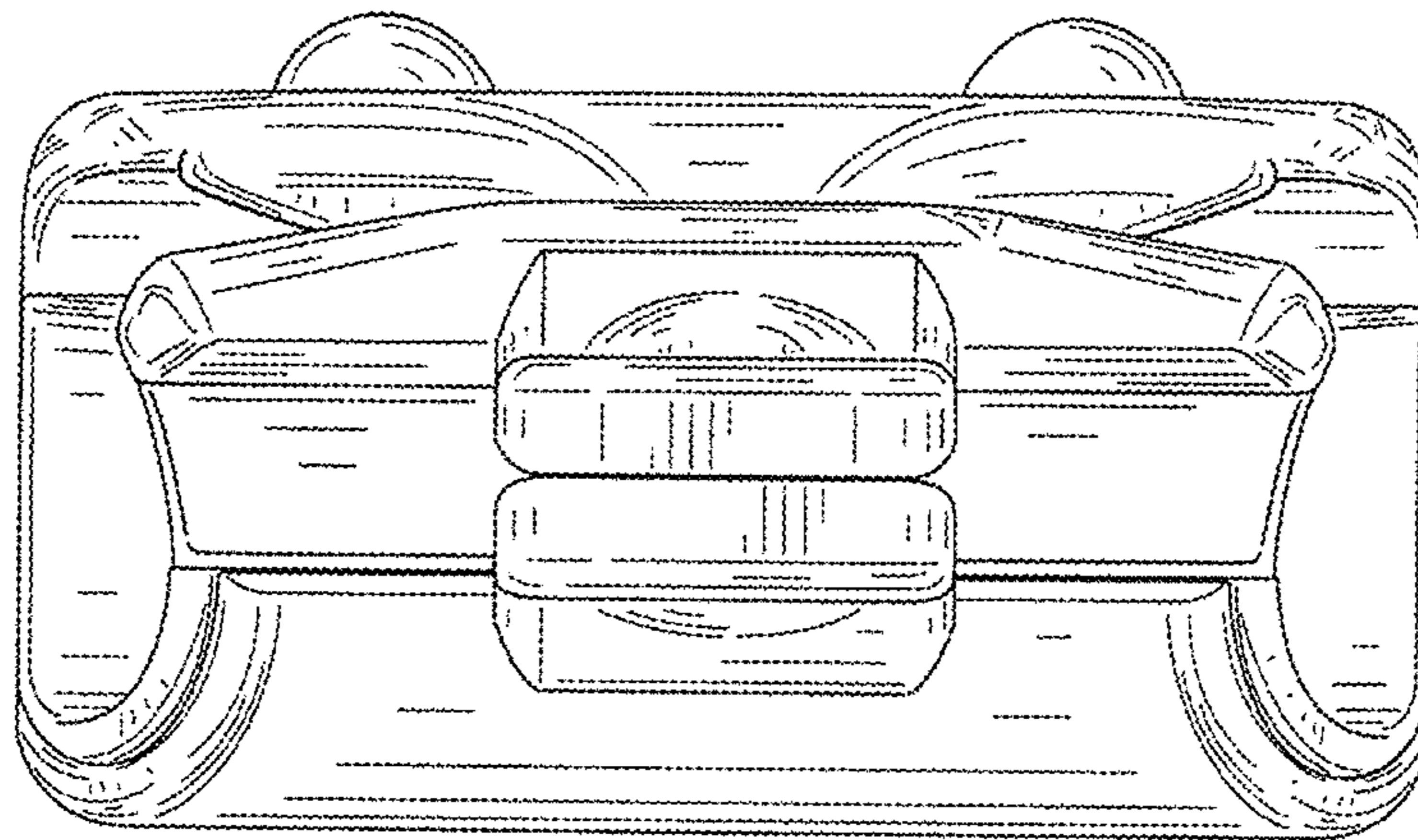


FIG. 8