



US00D808182S

(12) **United States Design Patent**  
**Baron**

(10) **Patent No.:** **US D808,182 S**  
(45) **Date of Patent:** **\*\* Jan. 23, 2018**

(54) **ARM CHAIR**

(71) Applicant: **Sam Baron**, Malakoff (FR)

(72) Inventor: **Sam Baron**, Malakoff (FR)

(\*\*) Term: **15 Years**

(21) Appl. No.: **29/593,267**

(22) Filed: **Feb. 7, 2017**

(30) **Foreign Application Priority Data**

Apr. 8, 2016 (EM) ..... 003061647

(51) **LOC (11) Cl.** ..... **06-01**

(52) **U.S. Cl.**  
USPC ..... **D6/334; D6/374**

(58) **Field of Classification Search**  
USPC ..... D6/334, 335, 336, 360, 361, 367, 368,  
D6/371-375, 379-381, 716, 716.1-716.8  
CPC .... A47C 7/00; A47C 7/62; A47C 7/18; A47C  
7/54; A47C 4/00; A47C 4/028; A47C  
4/28; A47C 3/16; A47C 3/04; A47C 3/12;  
A47C 1/02; A47C 1/14  
See application file for complete search history.

(56) **References Cited**

**U.S. PATENT DOCUMENTS**

D177,886 S *	5/1956	Thaden	.....	D6/375
D181,945 S *	1/1958	Saارين	.....	D6/365
RE24,569 E *	11/1958	Thaden	.....	A47C 3/12 297/411.41
D193,889 S *	10/1962	Buzzitta	.....	D6/334
D205,939 S *	10/1966	Laverne et al.	.....	D6/375
3,281,185 A *	10/1966	Albinson	.....	A47C 5/12 297/218.5

D211,463 S *	6/1968	Platner	.....	D6/364
D211,464 S *	6/1968	Platner	.....	D6/364
D225,599 S *	12/1972	Hutchinson	.....	D6/363
D237,664 S *	11/1975	Costable	.....	D6/365
D327,583 S *	7/1992	Dettinger	.....	D6/334
D386,909 S *	12/1997	Mourgue	.....	D6/334
D386,910 S *	12/1997	Saiger	.....	D6/334
D615,314 S *	5/2010	Charoenapornwatana	....	D6/373
D633,725 S *	3/2011	Massaud	.....	D6/334
D637,830 S *	5/2011	Li	.....	D6/372
D706,053 S *	6/2014	Schwamkrug	.....	D6/374
D713,164 S *	9/2014	Pedersen	.....	D6/373
D730,075 S *	5/2015	Kubryk	.....	D6/375
D742,132 S *	11/2015	Morrison	.....	D6/375
D742,658 S *	11/2015	Bisman	.....	D6/374
D743,711 S *	11/2015	Lissoni	.....	D6/375
D746,609 S *	1/2016	Lievore	.....	D6/375
D751,838 S *	3/2016	Ciani	.....	D6/381
D759,397 S *	6/2016	Wu	.....	D6/366
D798,068 S *	9/2017	Iqbal	.....	D6/334

\* cited by examiner

*Primary Examiner* — Deanna L Pratt

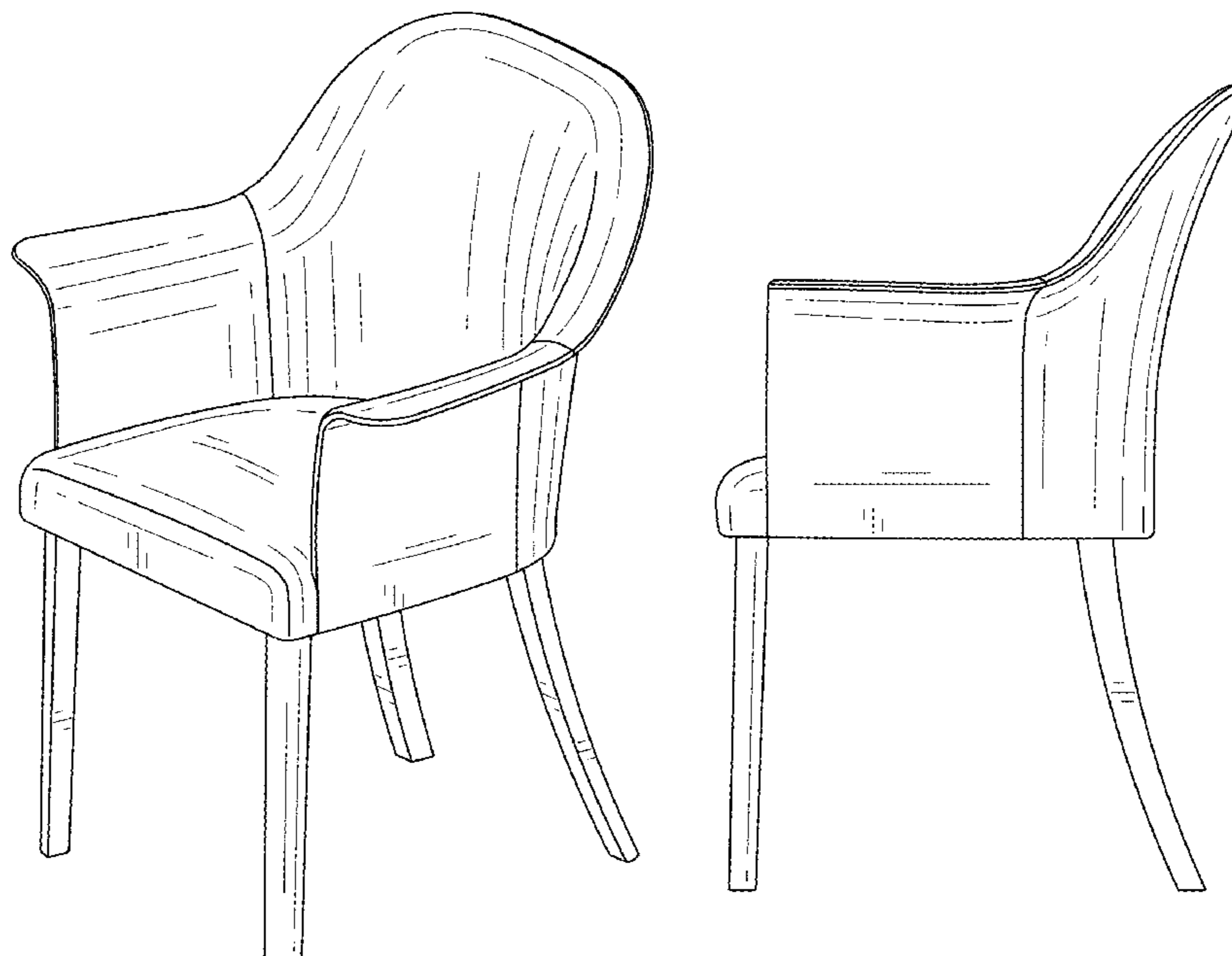
(57) **CLAIM**

The ornamental design for an arm chair, as shown and described.

**DESCRIPTION**

FIG. 1 is a perspective view of an arm chair showing my new design;  
FIG. 2 is a front elevational view thereof;  
FIG. 3 is a rear elevational view thereof;  
FIG. 4 is a left side elevational view thereof;  
FIG. 5 is a right side elevational thereof;  
FIG. 6 is a top plan view thereof; and,  
FIG. 7 is a bottom plan view thereof.

**1 Claim, 4 Drawing Sheets**



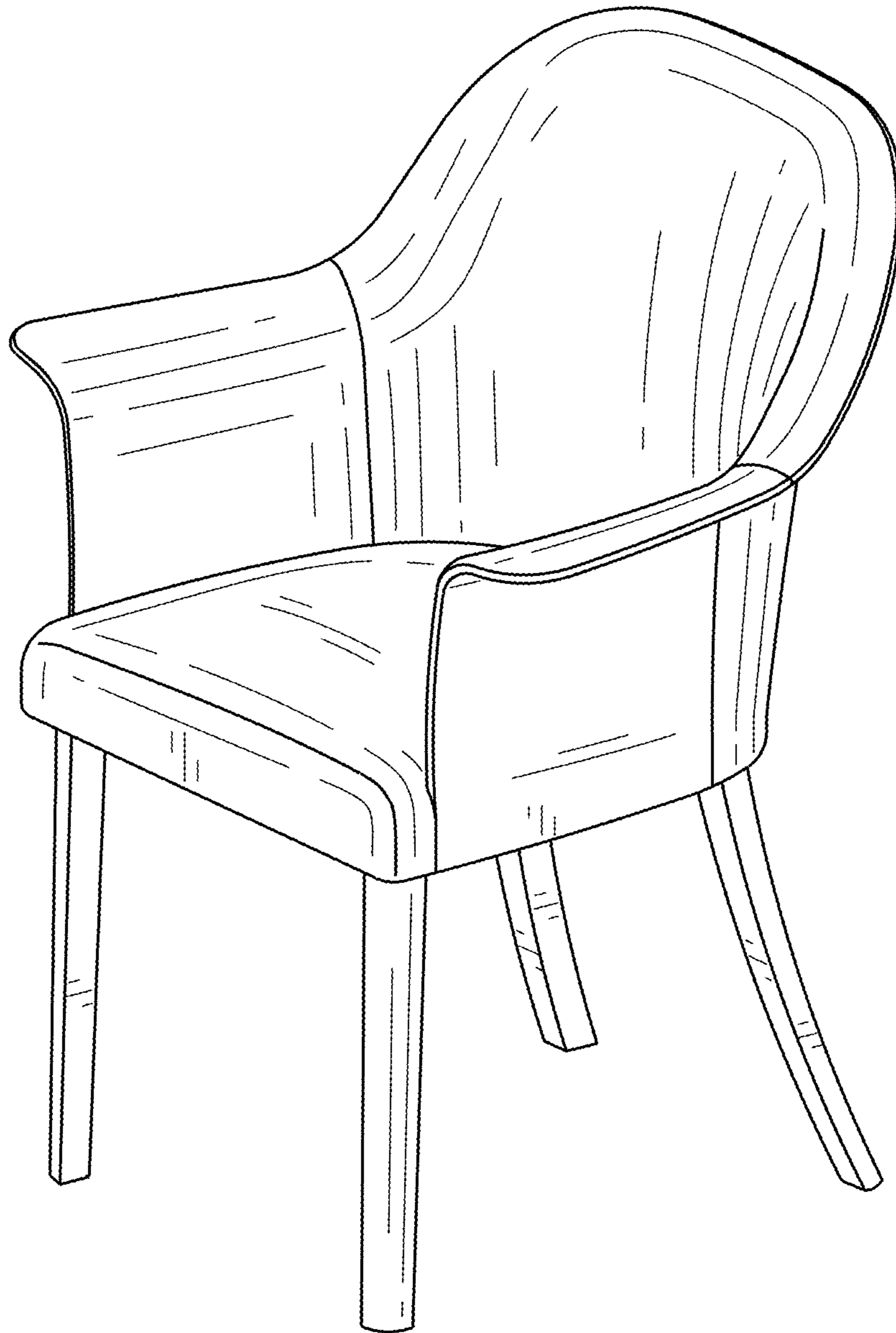


FIG. 1

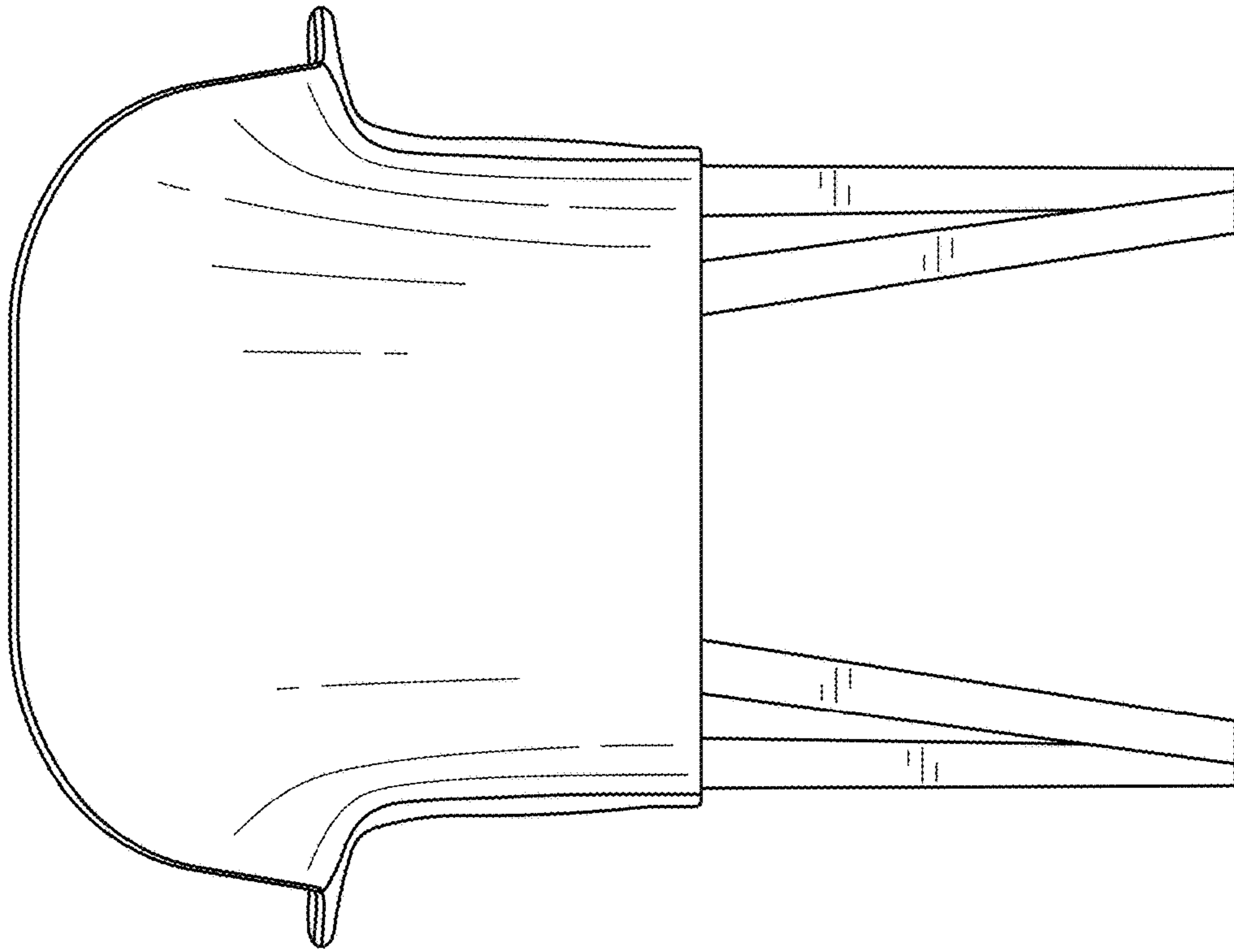


FIG. 3

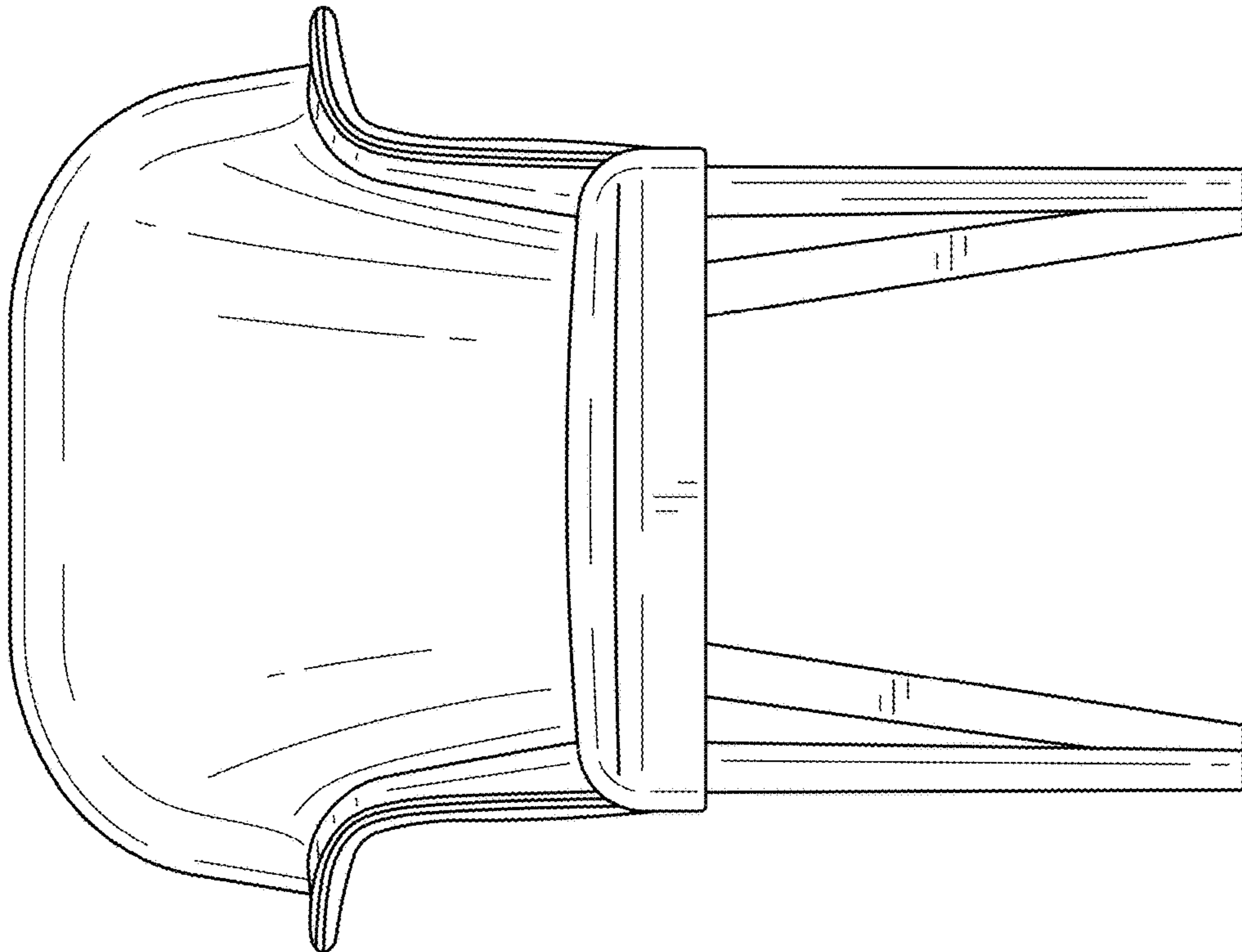


FIG. 2

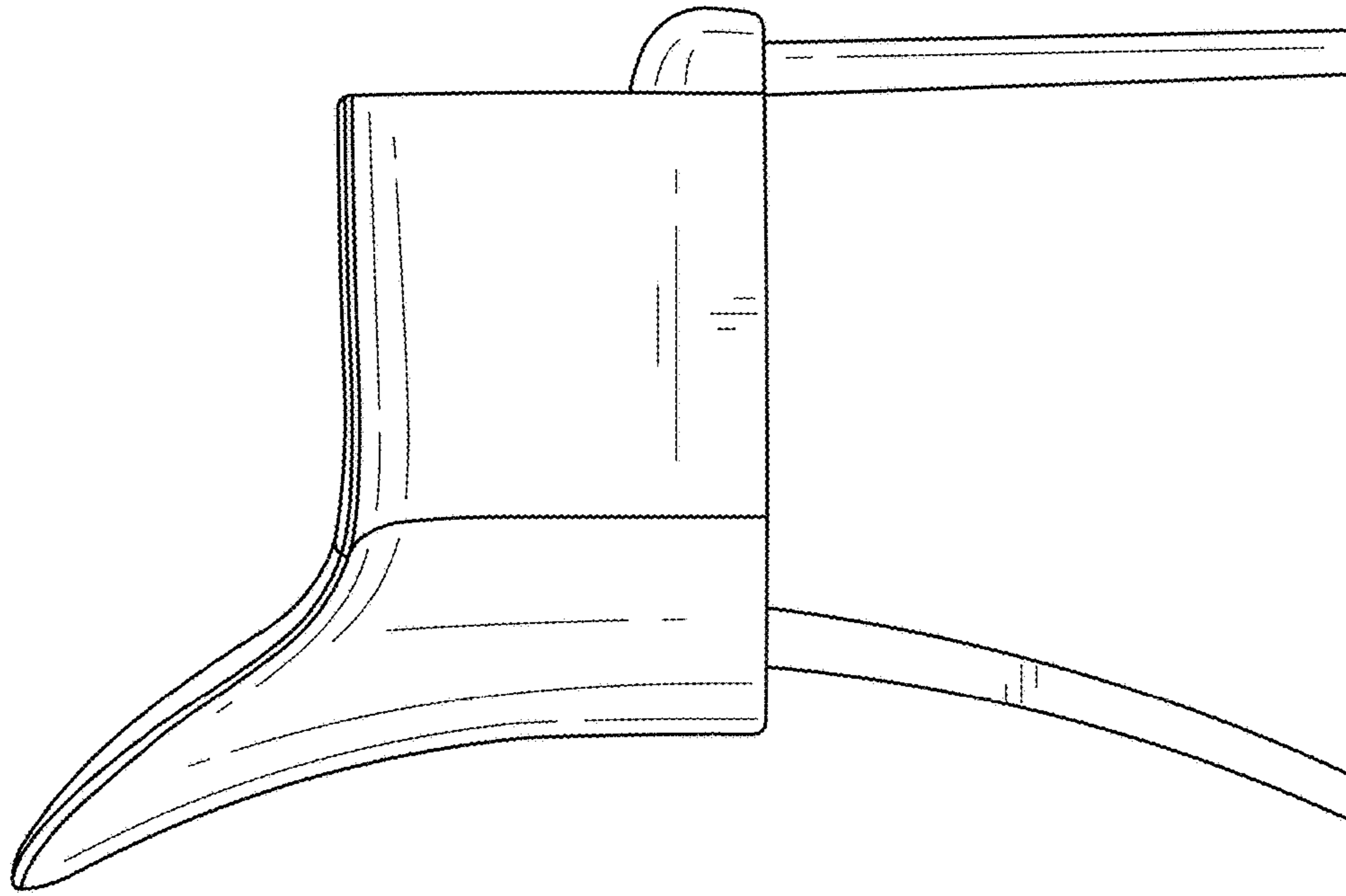


FIG. 5

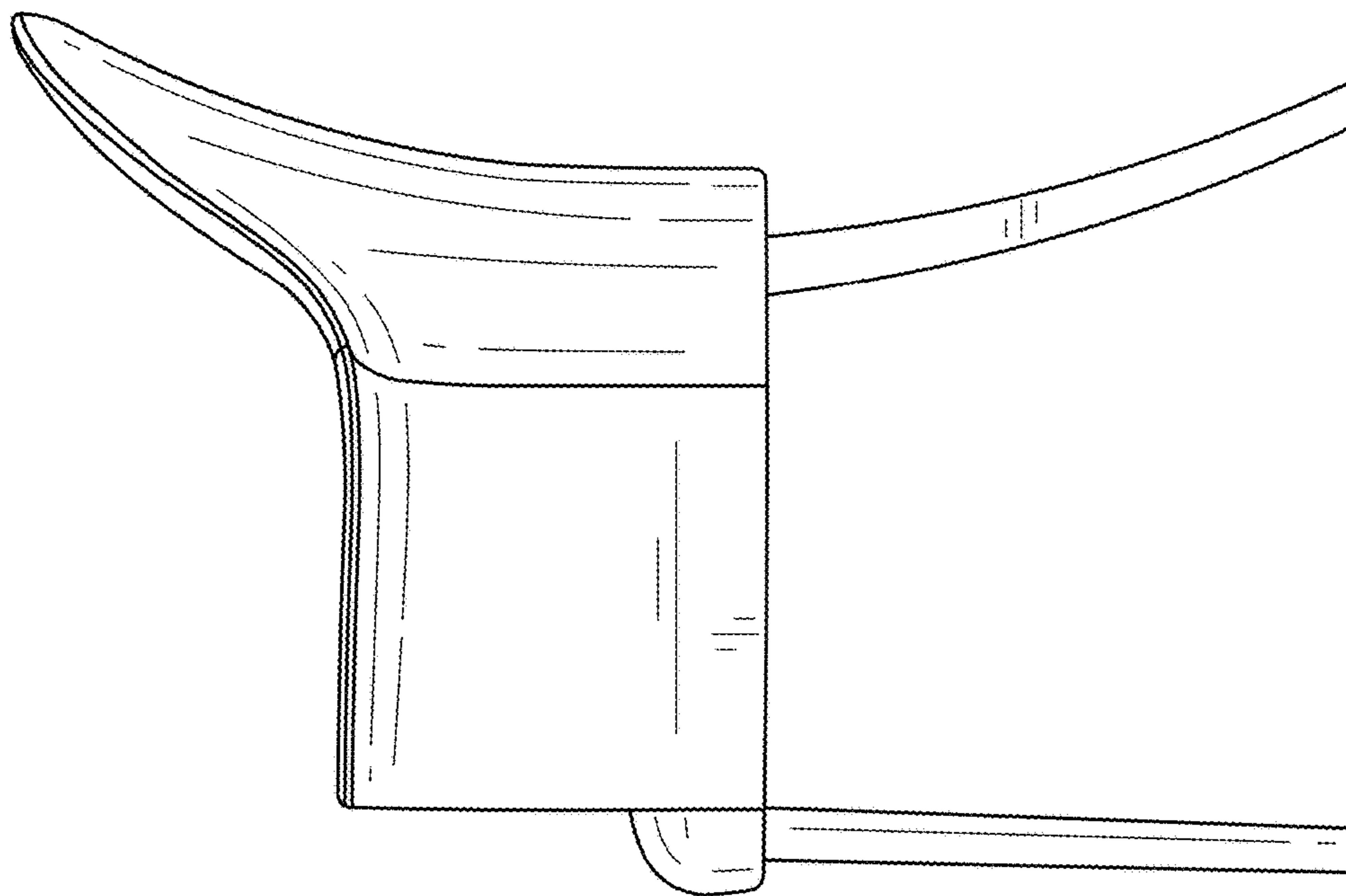


FIG. 4

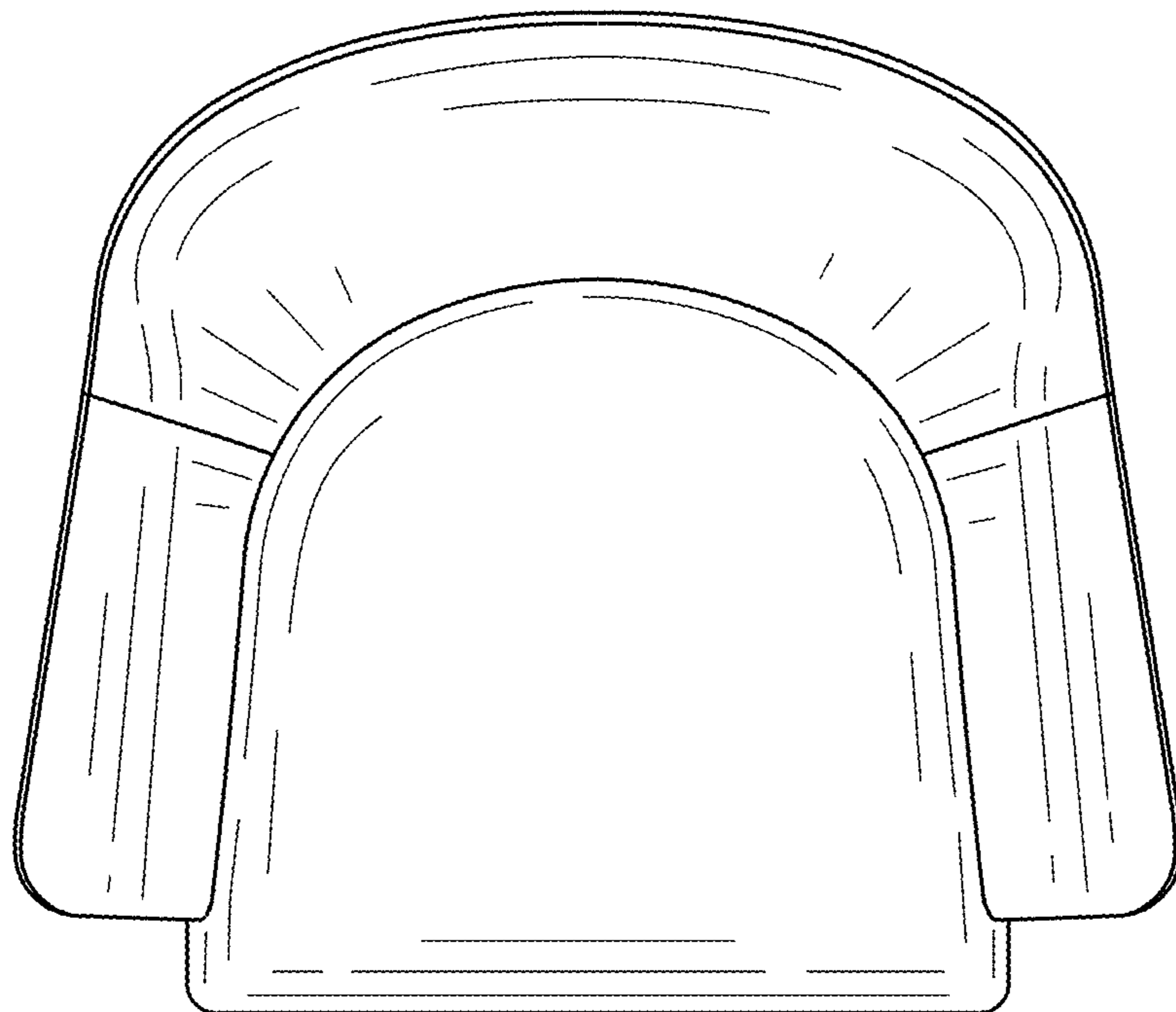


FIG. 6

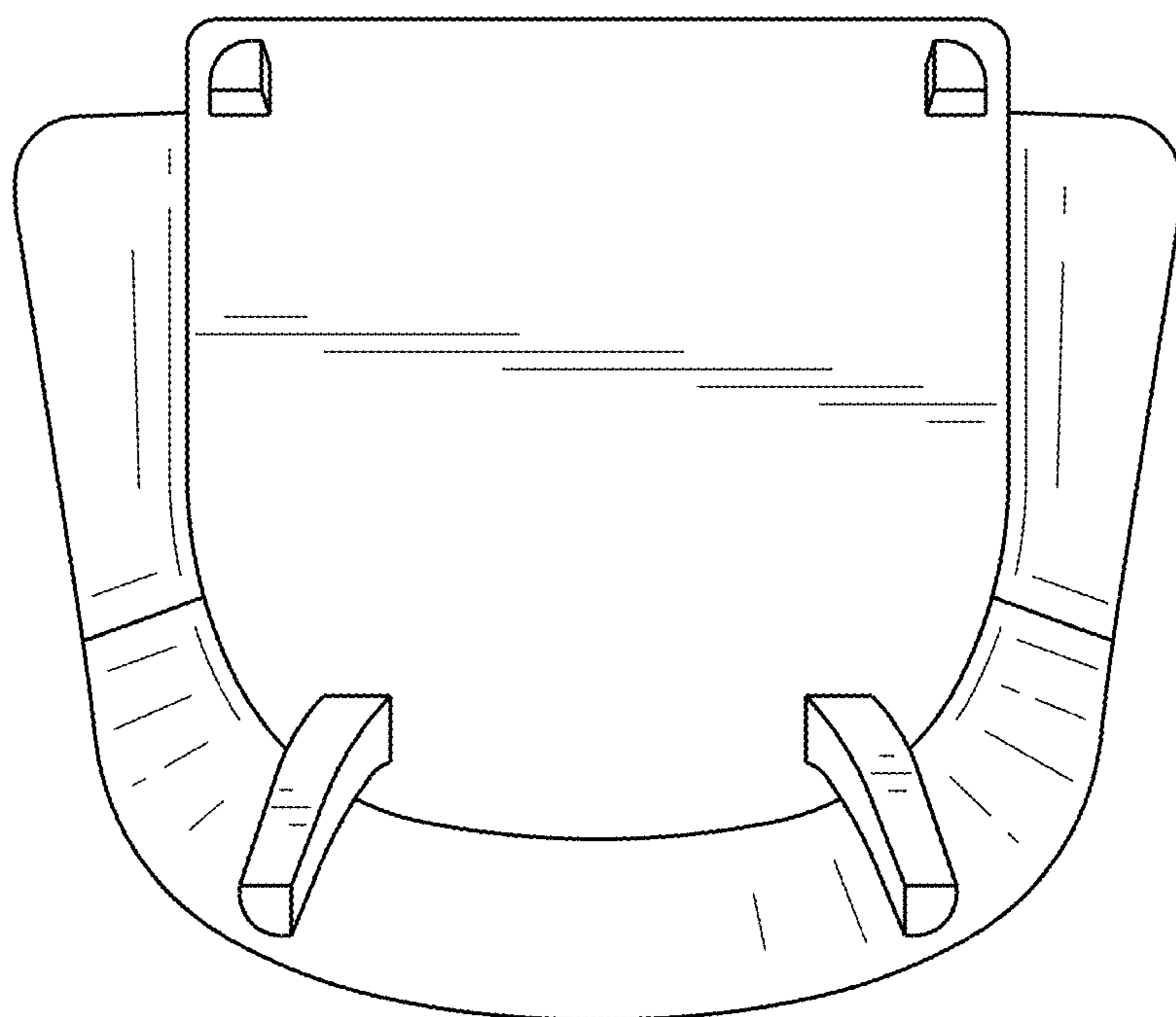


FIG. 7