



US00D808180S

(12) **United States Design Patent** (10) **Patent No.:** **US D808,180 S**
Mastrosimone-Gese et al. (45) **Date of Patent:** **** Jan. 23, 2018**

(54) **INFANT GYM**

(56) **References Cited**

(71) Applicant: **Mattel, Inc.**, El Segundo, CA (US)

U.S. PATENT DOCUMENTS

(72) Inventors: **Mary G. Mastrosimone-Gese**, East Aurora, NY (US); **Margo B. Moulin**, Buffalo, NY (US); **Jennifer A. Zelasko**, Orchard Park, NY (US)

D272,015	S	*	1/1984	Black	D3/213
D333,599	S	*	3/1993	Wojtkiewicz	D3/213
D400,703	S	*	11/1998	Cabagnero	D3/213
D506,322	S	*	6/2005	Owen	D6/333
D576,408	S	*	9/2008	Forsspan	D6/333
D619,380	S	*	7/2010	Daeseleire	D6/333
D640,882	S	*	7/2011	Zack	D6/333
D653,005	S	*	1/2012	Haaf	D21/465
8,684,785	B2		4/2014	Snyder		
D704,432	S	*	5/2014	Askaroff	D3/213
2004/0242118	A1		12/2004	Schreiber-Setzemeski et al.		
2005/0172411	A1		8/2005	Snedeker		
2006/0199166	A1		9/2006	Snyder		
2008/0182477	A1		7/2008	Catelli		
2011/0012408	A1		1/2011	Lee et al.		

(73) Assignee: **Mattel, Inc.**, El Segundo, CA (US)

(**) Term: **15 Years**

(21) Appl. No.: **29/543,880**

(22) Filed: **Oct. 29, 2015**

(51) **LOC (11) Cl.** **06-01**

FOREIGN PATENT DOCUMENTS

(52) **U.S. Cl.**
USPC **D6/333**

GB 2471564 A 1/2011

(58) **Field of Classification Search**

* cited by examiner

USPC D6/333-336, 339-341, 344, 381, 491, D6/582-583, 596, 595, 358, 382-384, D6/390-395; 297/250.1, 255, 256.15, 297/183.1-183.4, 184.15, 184.17, 256.16, 297/16.1, 270.2, 452.13, 271.76, 258.1, 297/440.24, 217.5; D12/129-130, 133; D21/419, 412, 688, 803-809, 334, 338, D21/349, 476; 280/30-31; D30/160, D30/118, 199; 119/702, 707-711; 446/71, 75, 77, 227; 5/93.1, 655, 417, 5/98.1

Primary Examiner — Abraham Bahta
(74) *Attorney, Agent, or Firm* — Edell, Shapiro & Finnan, LLC

(57) **CLAIM**

The ornamental design for an infant gym, as shown and described.

DESCRIPTION

CPC A47C 4/54; A47C 4/00; A47C 4/02; A47C 4/04; A47C 4/18; A47C 4/28; A47C 7/021; A47C 7/022; A47C 31/11; A47C 1/00; A47C 1/024; A47C 1/031; A47C 1/06; A47C 3/029; A47C 3/025; A47C 3/021; A63H 33/06; A63H 23/00; A63H 23/02; A23H 23/00; A23H 23/02

FIG. 1 is a front perspective view of an infant gym according to the present invention;
FIG. 2 is top view of the infant gym of FIG. 1;
FIG. 3 is a bottom view of the infant gym of FIG. 1;
FIG. 4 is a left side view of the infant gym of FIG. 1;
FIG. 5 is a right side view of the infant gym of FIG. 1;
FIG. 6 is a front view of the infant gym of FIG. 1; and,
FIG. 7 is a rear view of the infant gym of FIG. 1.
The portions shown in phantom are for illustrative purposes only and form no part of the claimed design.

See application file for complete search history.

1 Claim, 7 Drawing Sheets

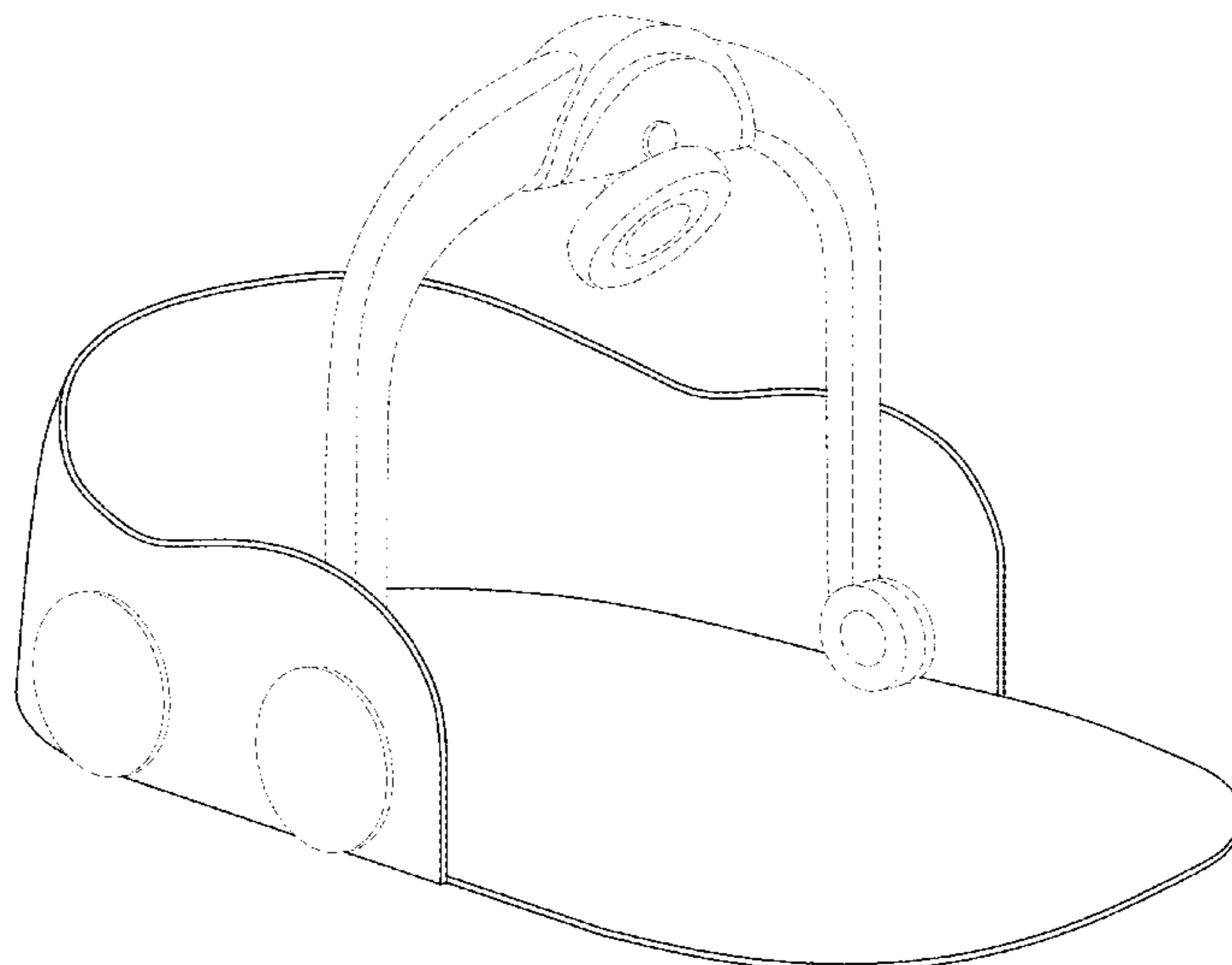
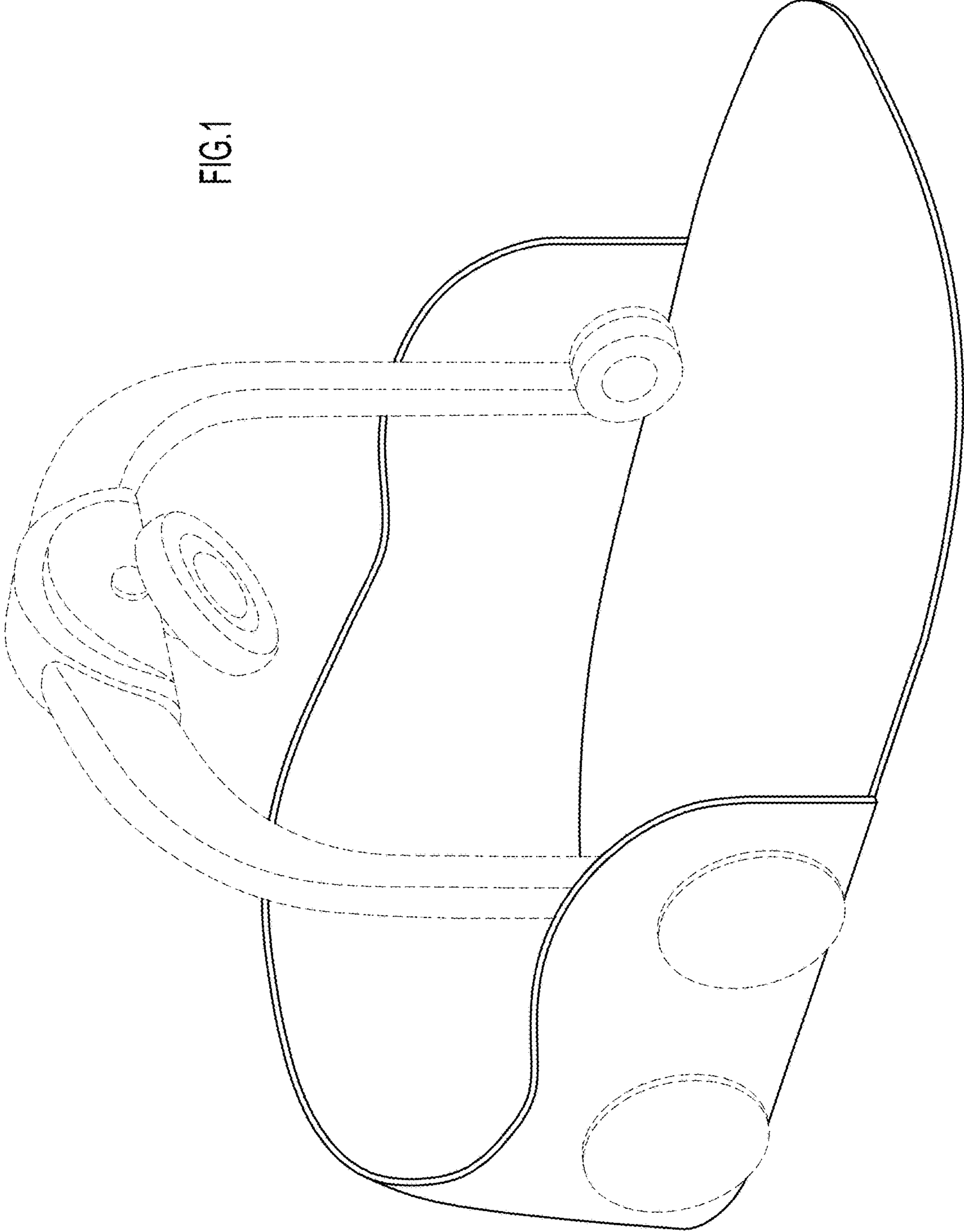


FIG.1



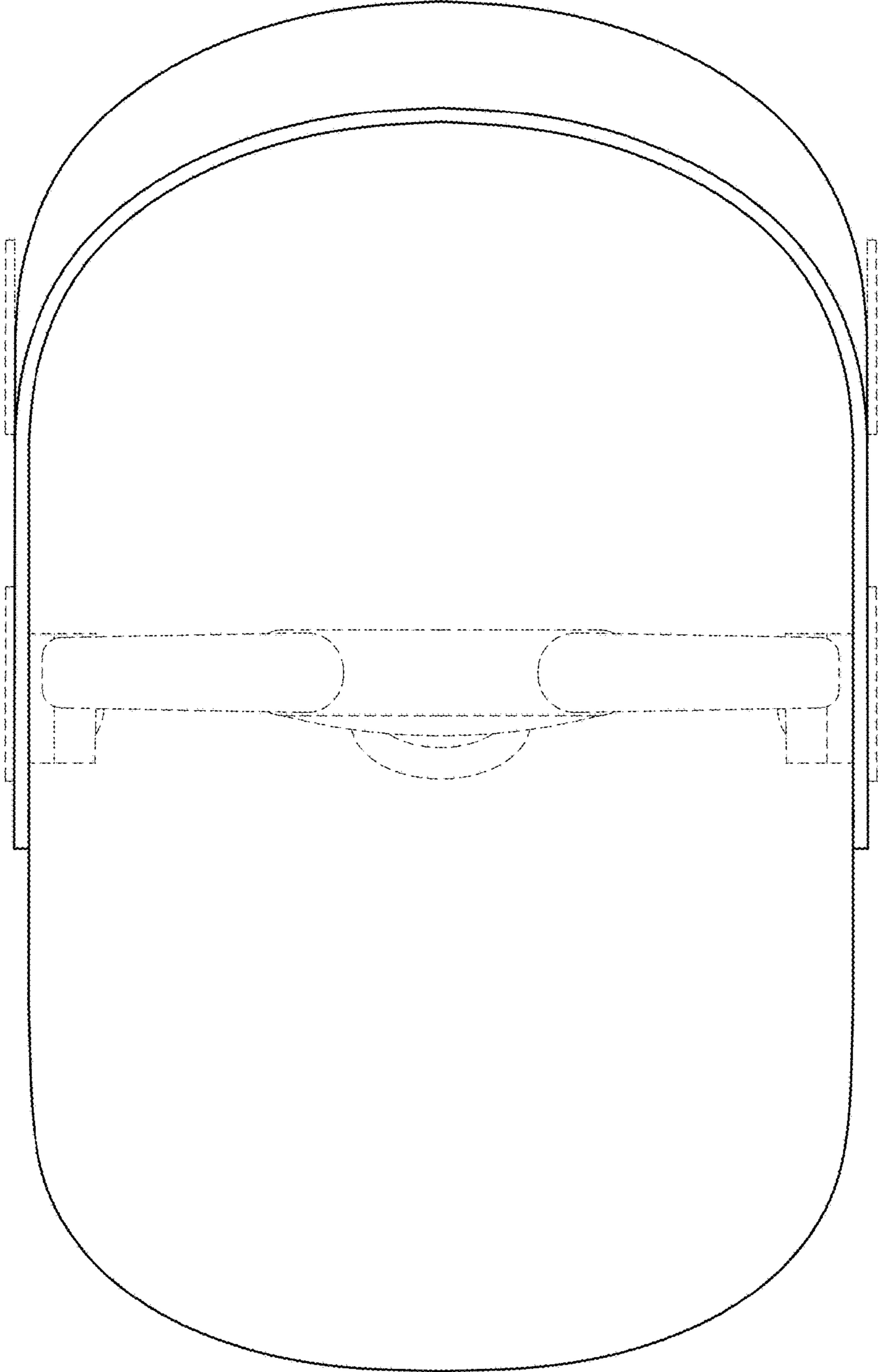


FIG. 2

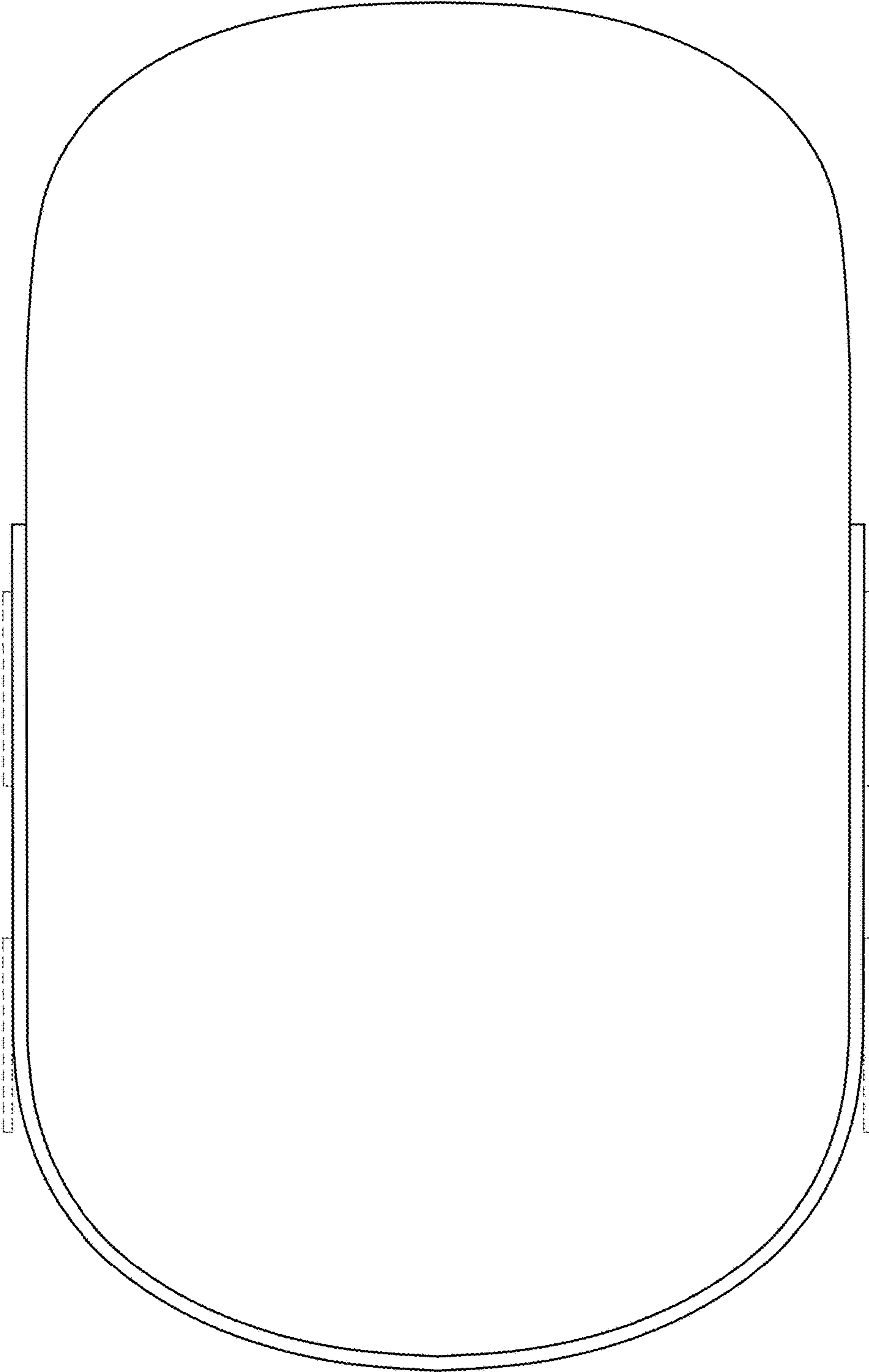


FIG.3

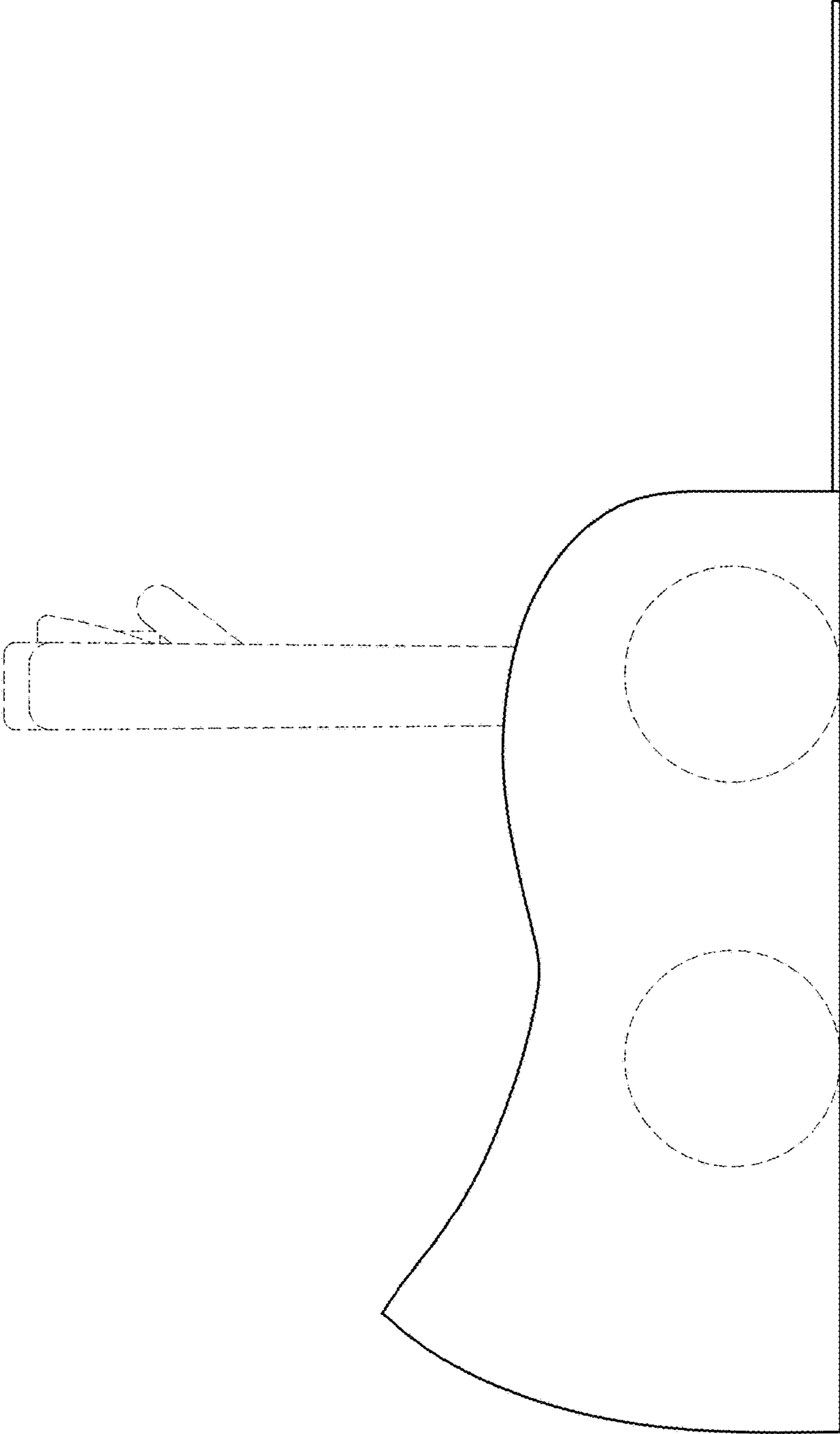


FIG.4

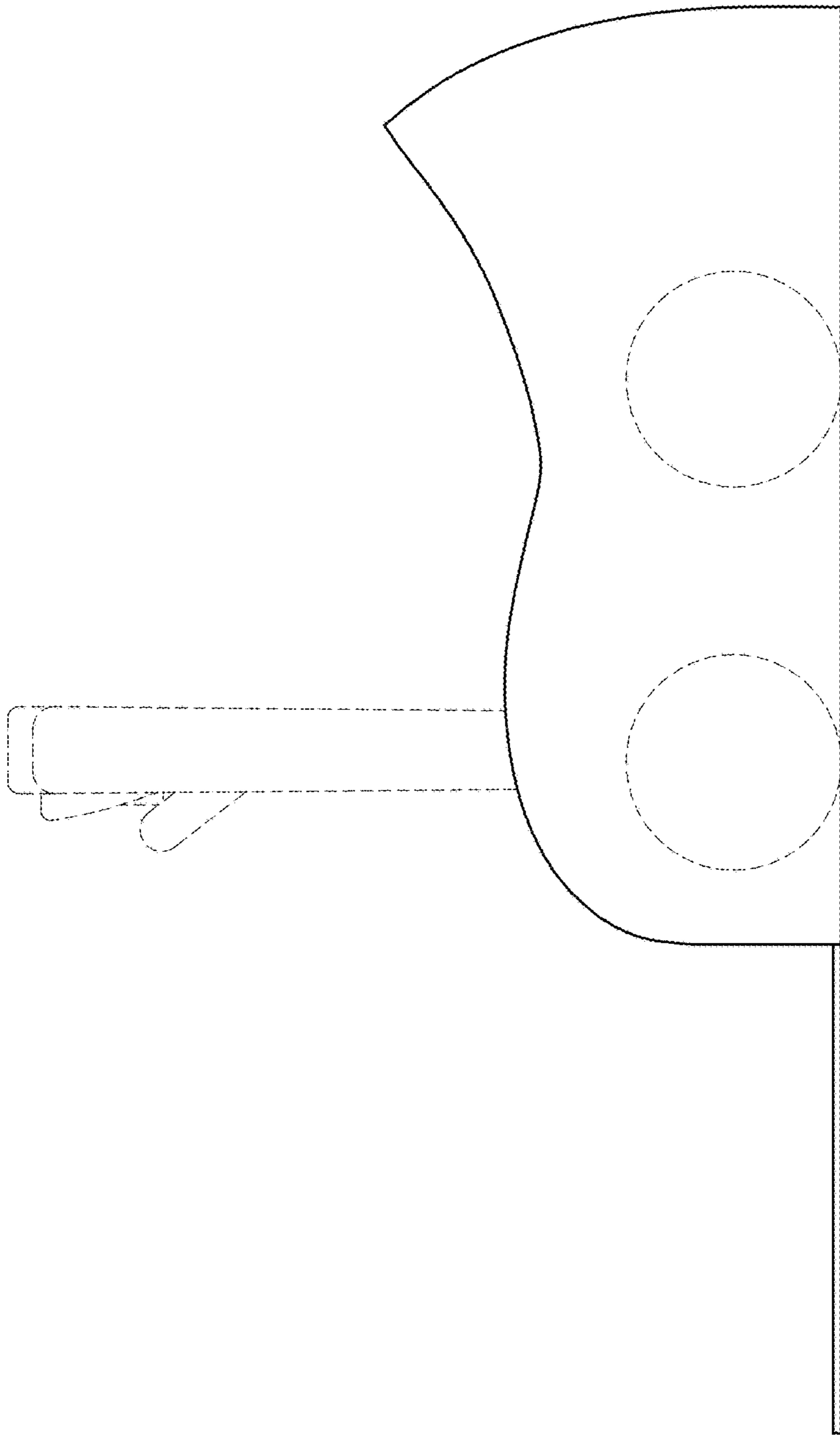


FIG.5

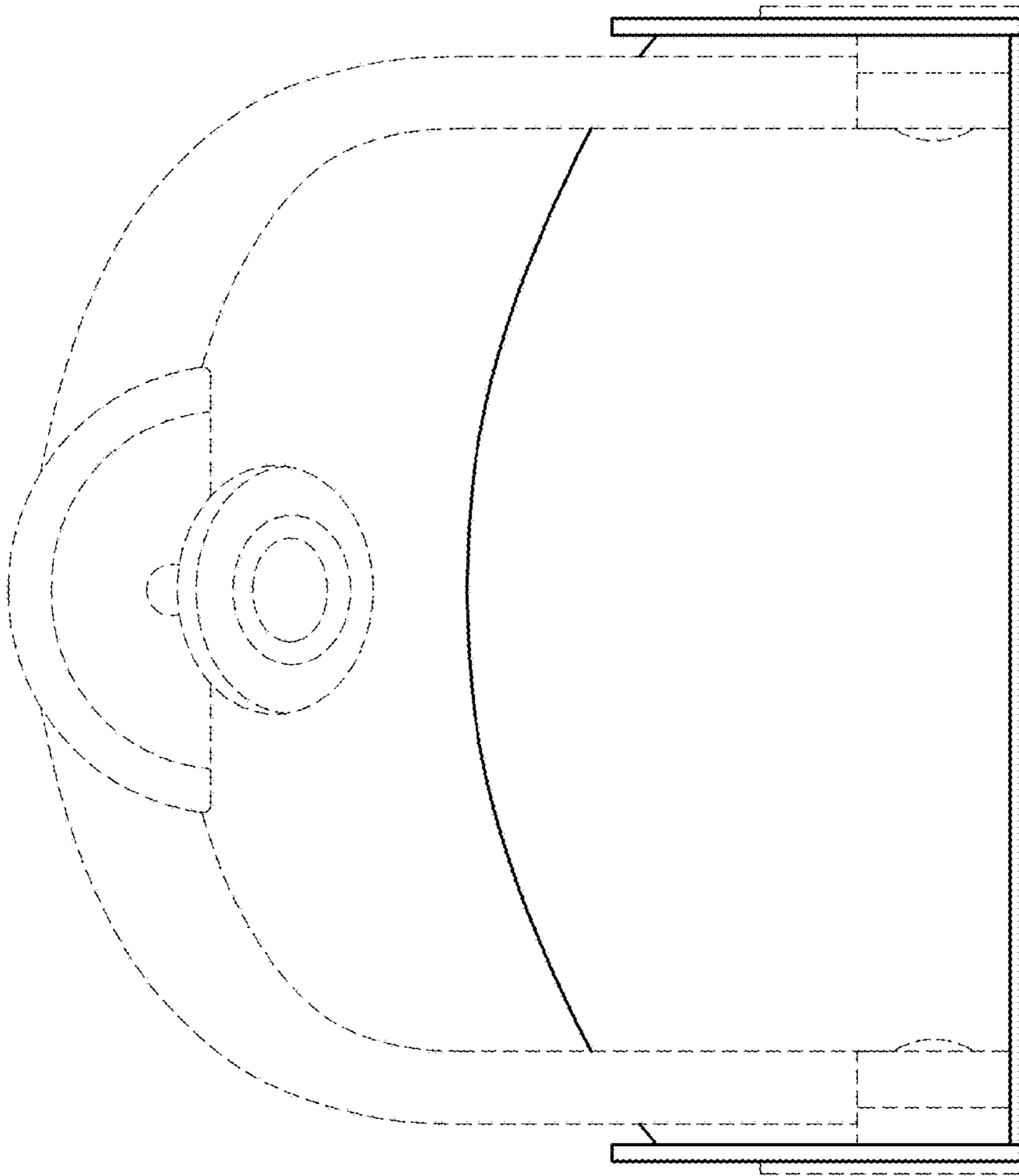


FIG.6

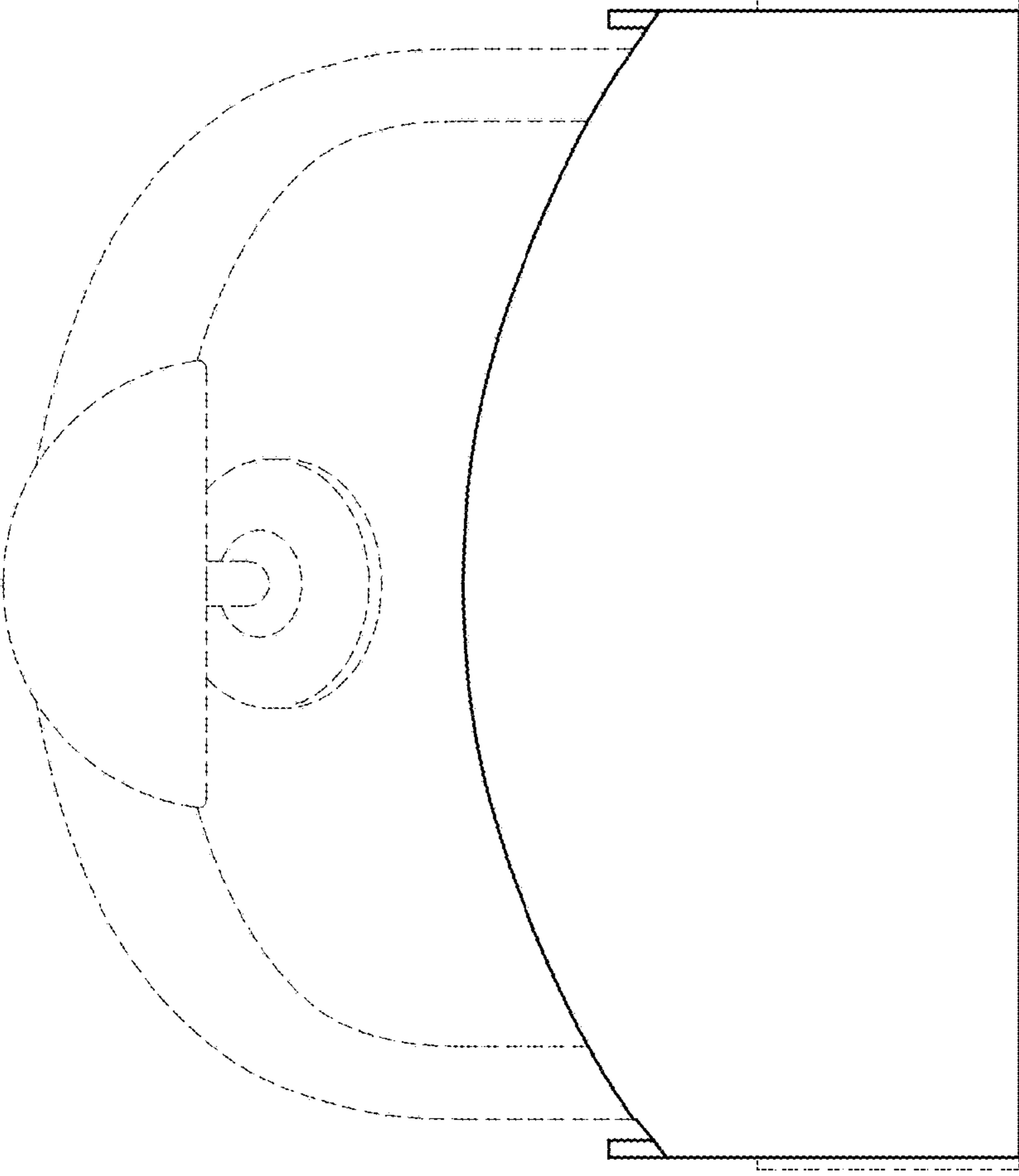


FIG.7