



US00D808176S

(12) **United States Design Patent**
Reid

(10) **Patent No.:** **US D808,176 S**
(45) **Date of Patent:** **** Jan. 23, 2018**

(54) **WIDE CHEST BELT FOR BABY CARRIER**

(71) Applicant: **Lisa Reid**, Portola Valley, CA (US)

(72) Inventor: **Lisa Reid**, Portola Valley, CA (US)

(**) Term: **15 Years**

(21) Appl. No.: **29/579,855**

(22) Filed: **Oct. 4, 2016**

(51) **LOC (11) Cl.** **03-01**

(52) **U.S. Cl.**
USPC **D3/327**

(58) **Field of Classification Search**
USPC D3/327; D2/627
CPC A45F 5/10; A45F 3/04; A63B 55/00
See application file for complete search history.

(56) **References Cited**

U.S. PATENT DOCUMENTS

- 5,110,023 A * 5/1992 Colin A45F 3/14
224/250
- D408,116 S * 4/1999 Gale D2/624
- D620,252 S * 7/2010 Keels D3/247
- D734,742 S * 7/2015 Fujioka D14/217
- D741,067 S * 10/2015 Votel D3/327

D765,413 S * 9/2016 Derr D3/327

* cited by examiner

Primary Examiner — Holly H Baynham

(57) **CLAIM**

The ornamental design for a wide chest belt for baby carrier, as shown and described.

DESCRIPTION

FIG. 1 is a front perspective view of an embodiment of the wide chest belt for baby carrier in a fastened state showing my new design;

FIG. 2 is a front view of the embodiment of FIG. 1;

FIG. 3 is a front view of an alternative embodiment of the wide chest belt for baby carrier;

FIG. 4 is a right side view of the embodiment of FIG. 1;

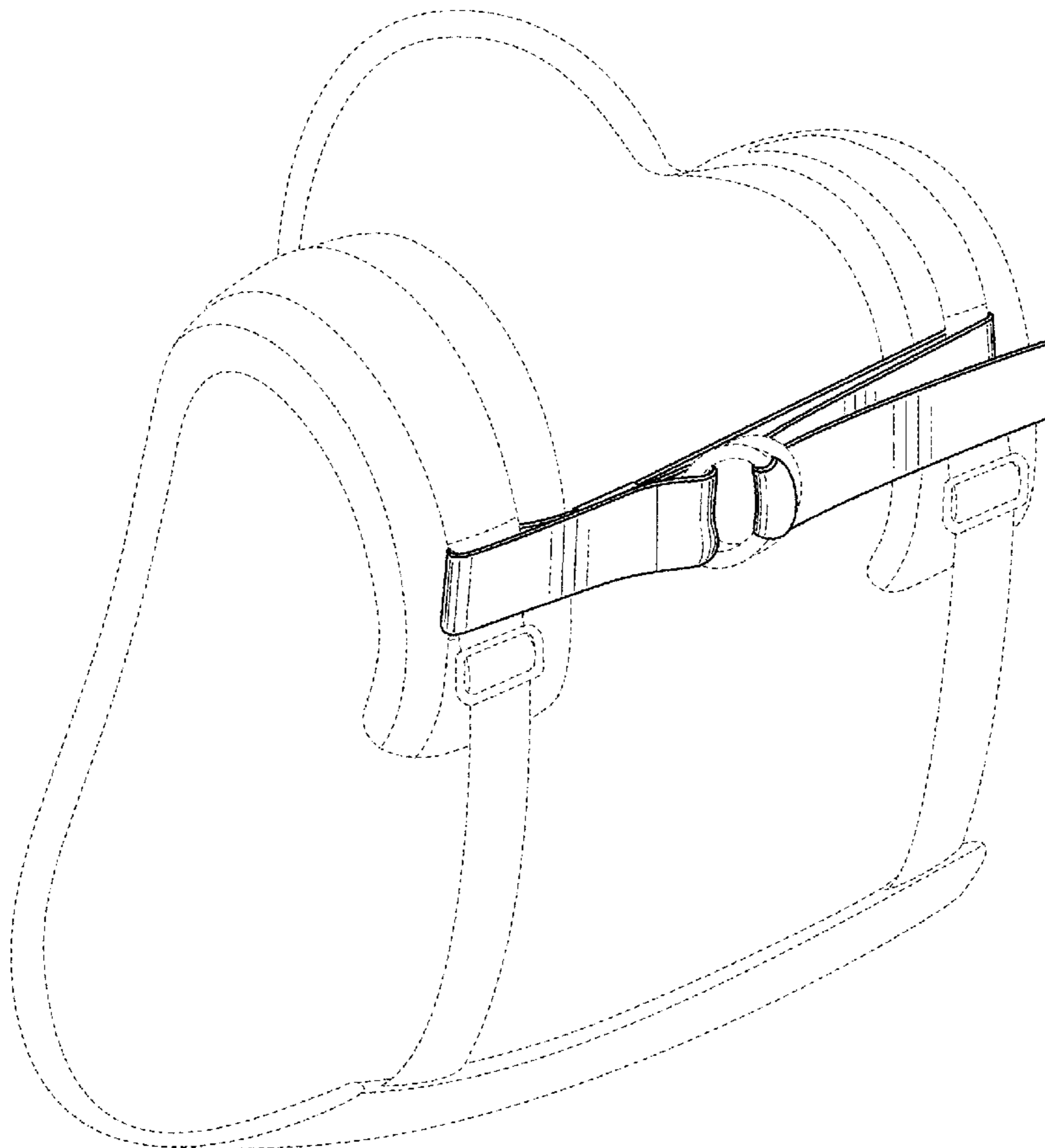
FIG. 5 is a left side view of the embodiment of FIG. 1;

FIG. 6 is a top view of the embodiment of FIG. 1, the bottom view being a mirror image thereof; and,

FIG. 7 is a front perspective view of the wide chest belt for baby carrier in an unfastened state.

The broken lines showing a baby carrier are for the purposes of illustrating environment and form no part of the claimed design.

1 Claim, 7 Drawing Sheets



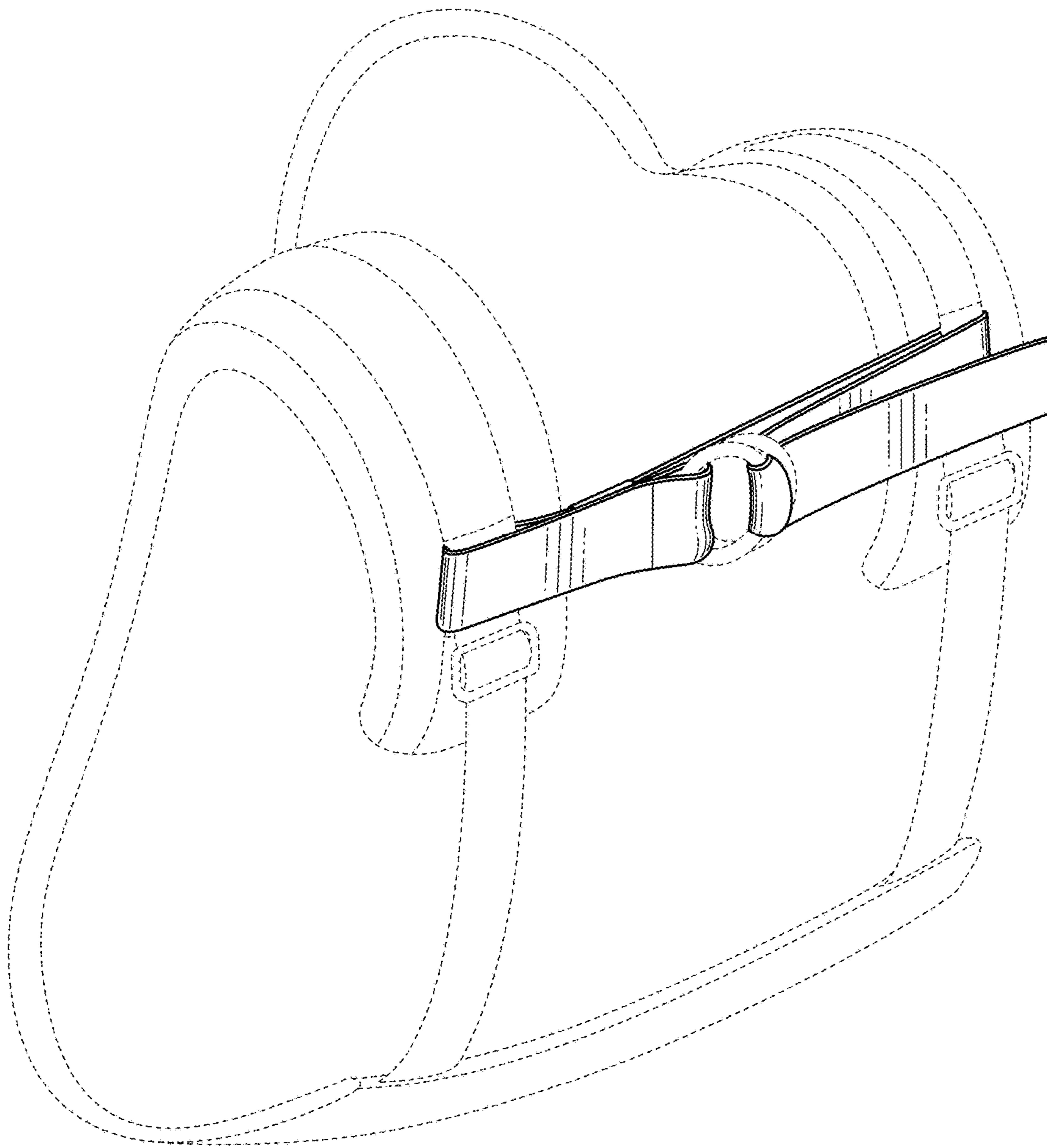


FIG. 1

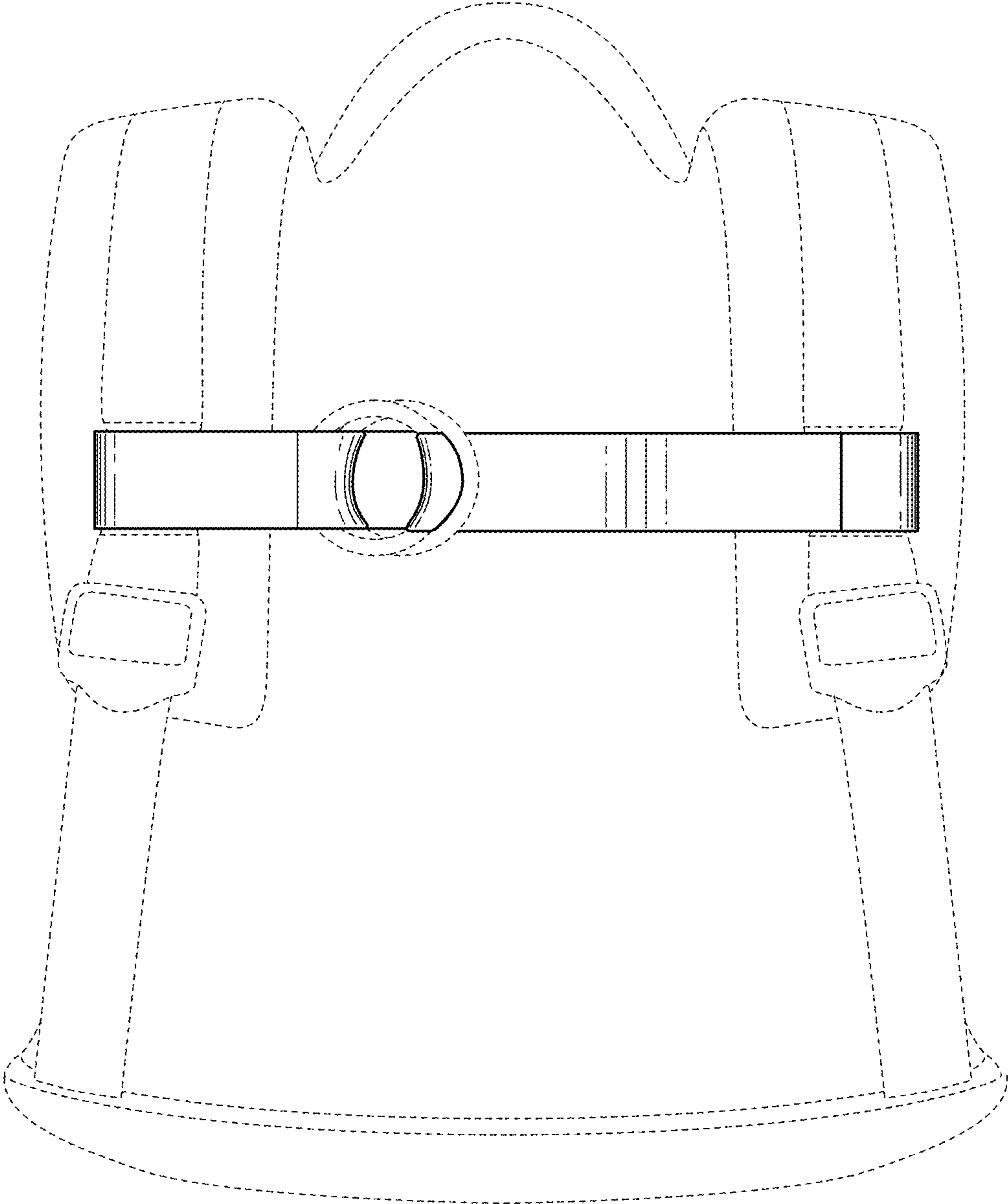


FIG. 2

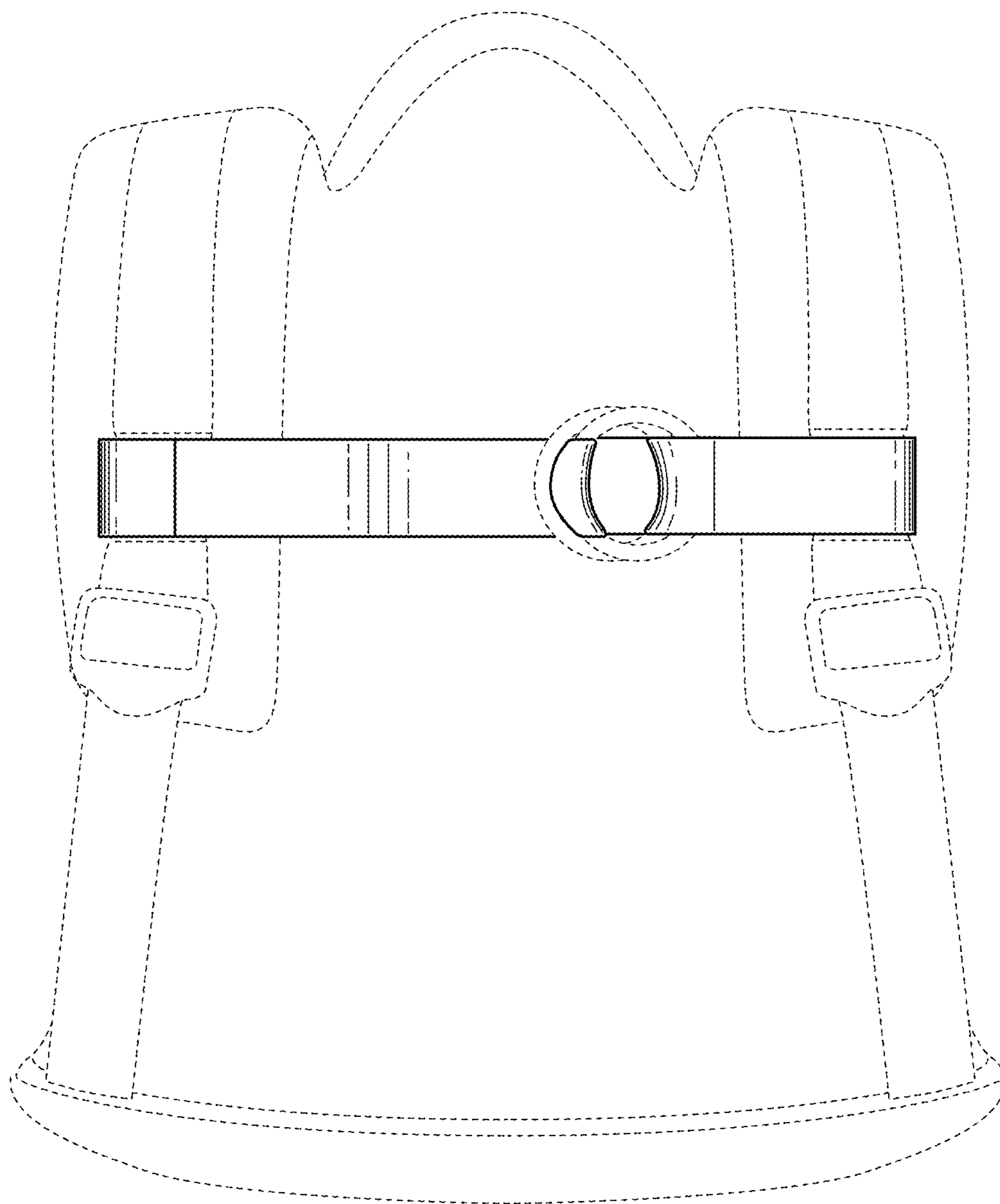


FIG. 3

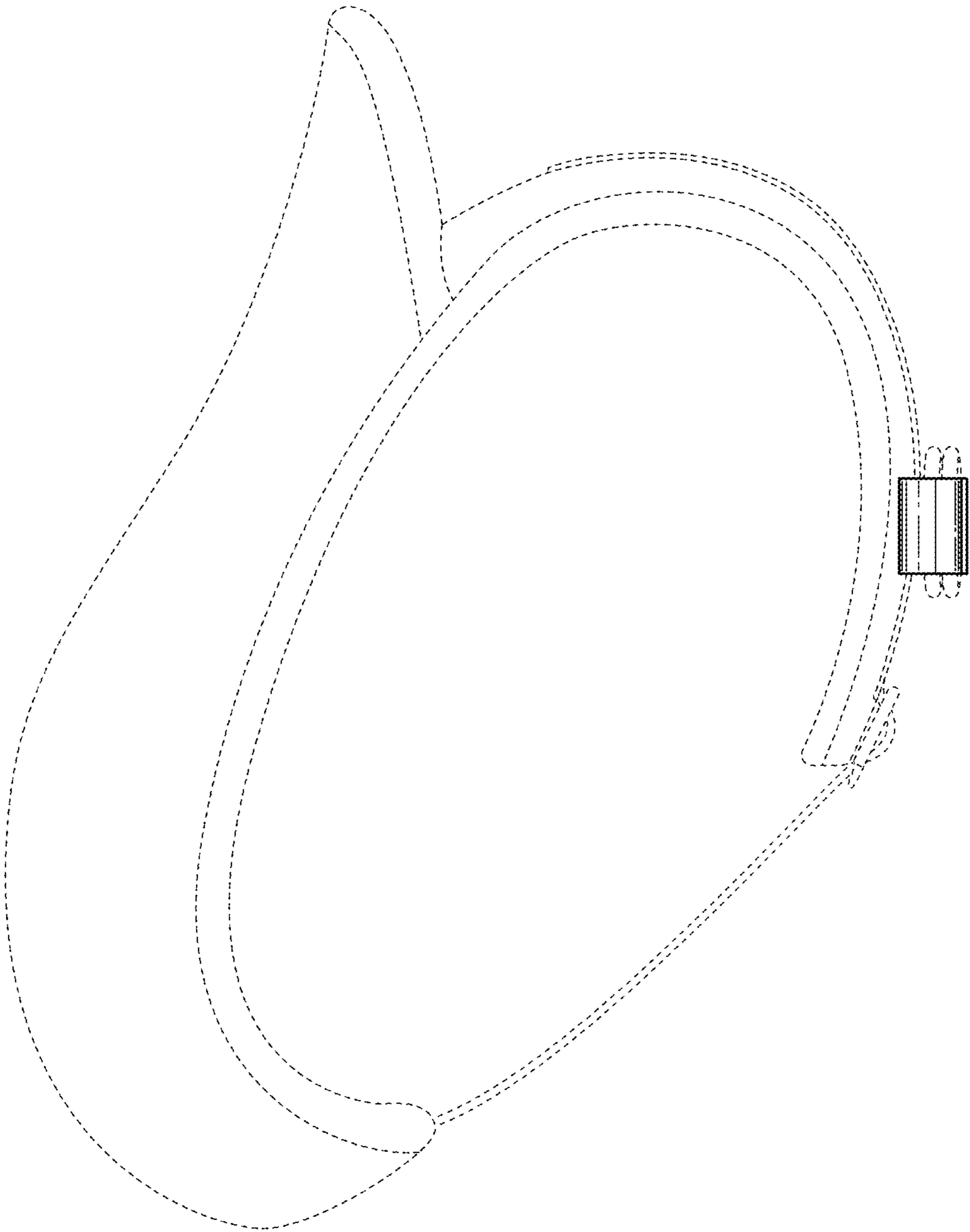


FIG. 4

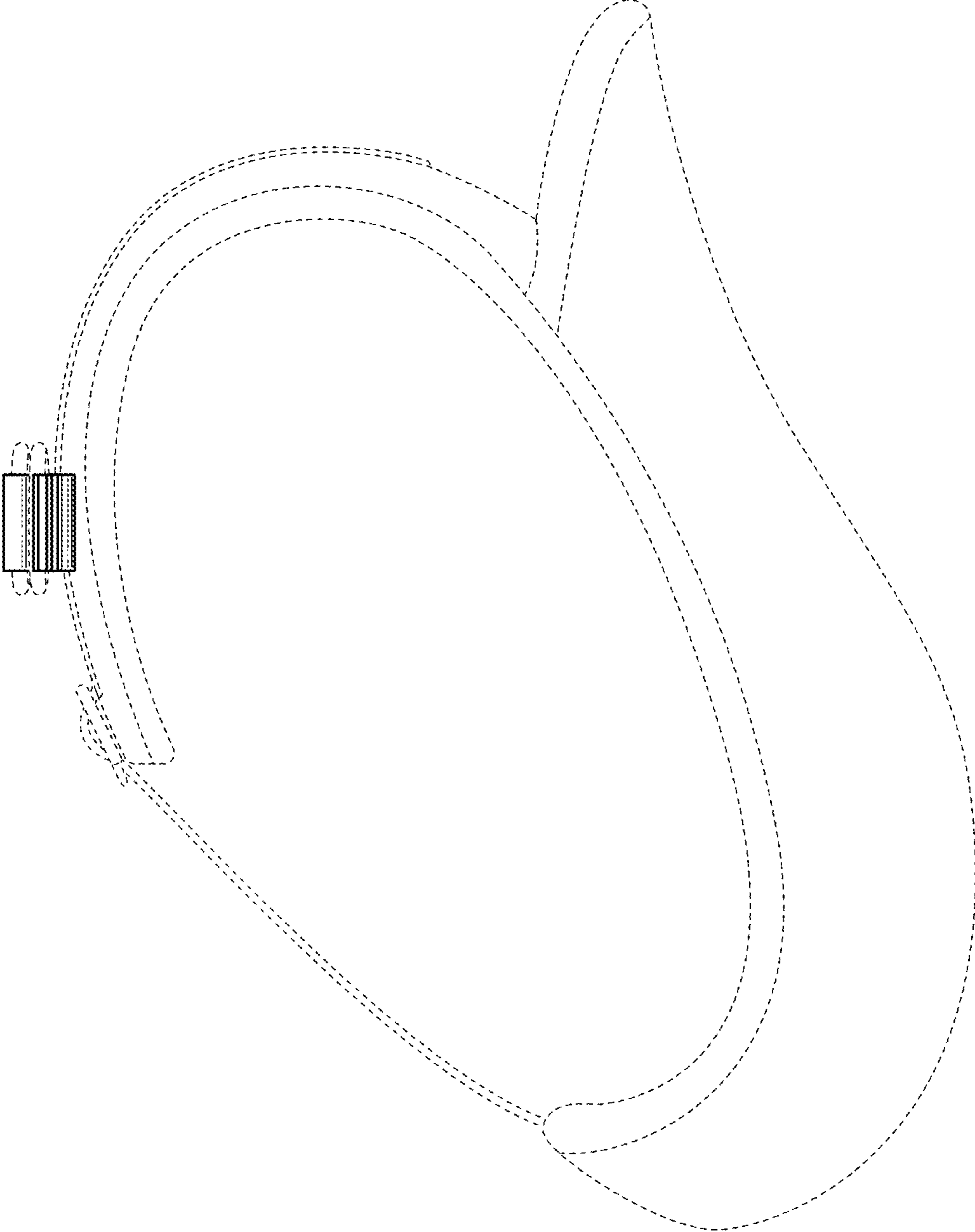


FIG. 5

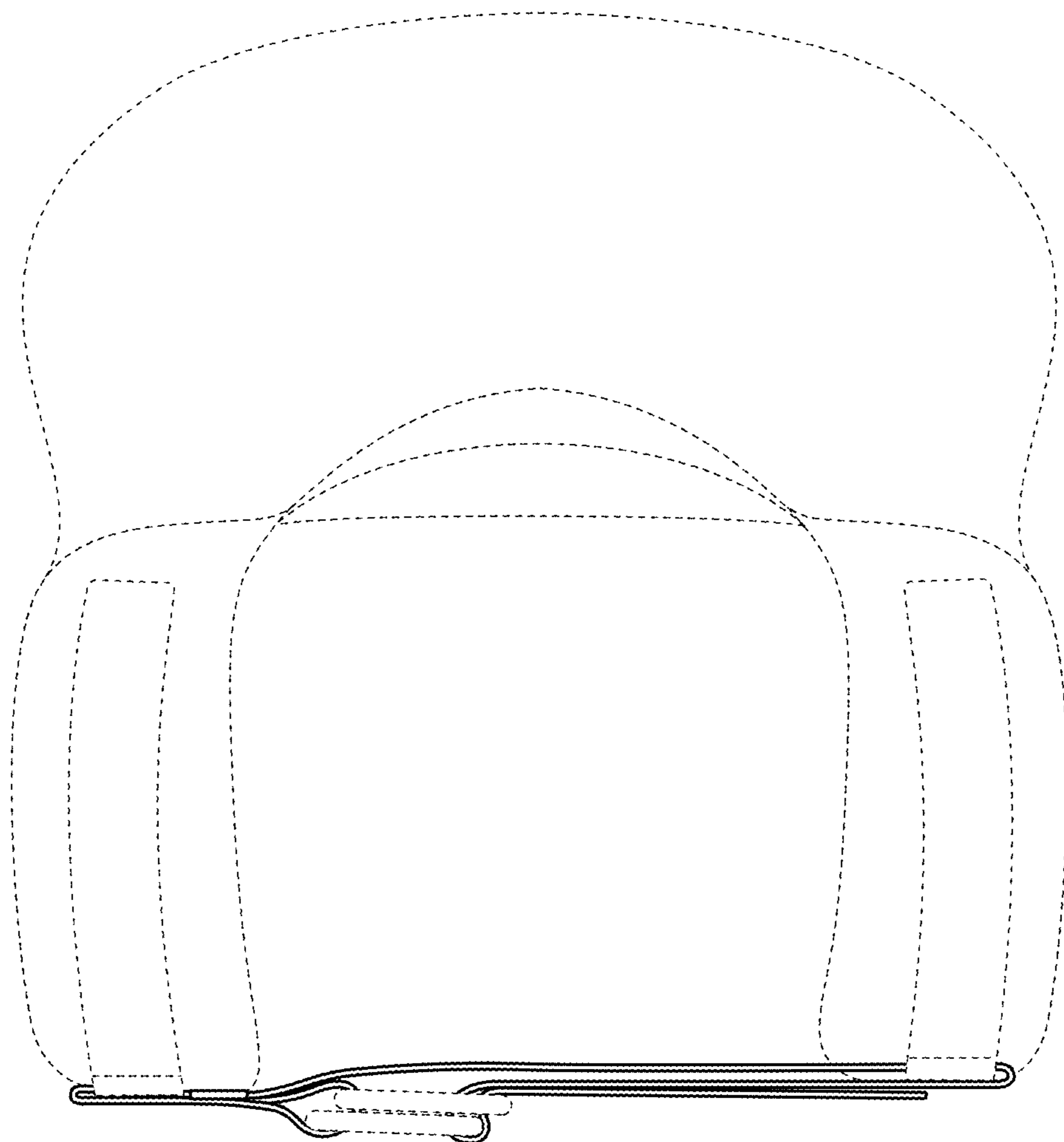


FIG. 6

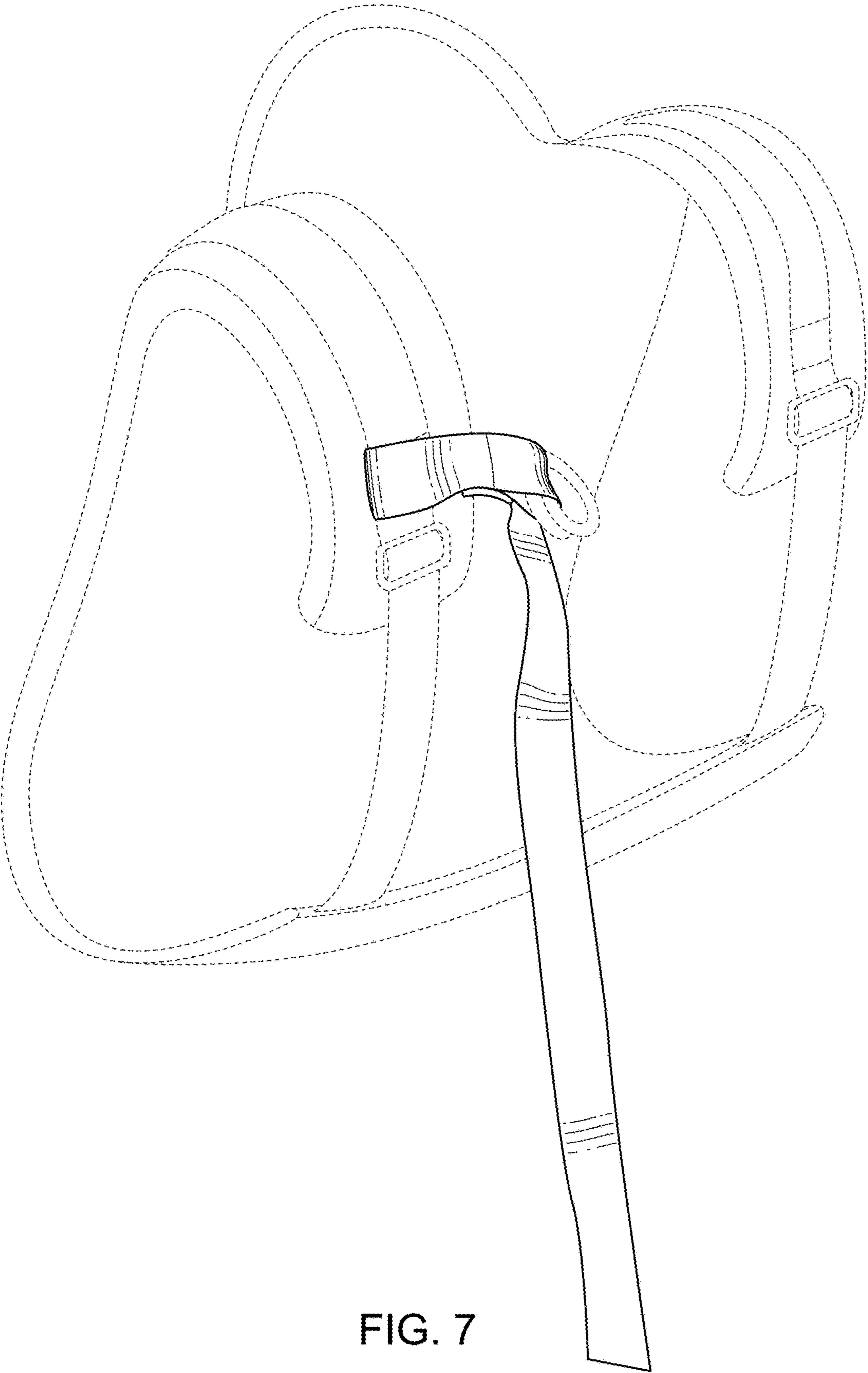


FIG. 7