



US00D808172S

(12) **United States Design Patent** (10) **Patent No.:** **US D808,172 S**  
**Seiders et al.** (45) **Date of Patent:** **\*\* Jan. 23, 2018**

(54) **DUFFEL BAG**  
(71) Applicant: **YETI Coolers, LLC**, Austin, TX (US)  
(72) Inventors: **Roy Joseph Seiders**, Austin, TX (US);  
**Erik Steven Larson**, Austin, TX (US);  
**Derek G. Sullivan**, Austin, TX (US);  
**Alex Baires**, Austin, TX (US); **Jeff**  
**Munie**, Austin, TX (US)  
(73) Assignee: **YETI Coolers, LLC**, Austin, TX (US)  
(\*\*) Term: **15 Years**

D516,307 S 3/2006 Koenig et al.  
D535,820 S \* 1/2007 Kamiya ..... D3/246  
7,207,426 B2 4/2007 Godshaw et al.  
D548,966 S 8/2007 Aliberti et al.  
7,334,684 B1 2/2008 Fontanilla et al.  
7,344,028 B2 3/2008 Hanson  
D575,059 S 8/2008 Cappiello et al.  
7,597,478 B2 10/2009 Pruchnicki et al.  
D609,466 S \* 2/2010 Stulman ..... D3/232  
D620,708 S 8/2010 Sanz  
7,861,857 B2 1/2011 Vorderkunz  
D632,888 S \* 2/2011 Jobert ..... D3/232  
D648,533 S 11/2011 Sosnovsky  
D674,603 S 1/2013 Gerbi  
D688,457 S 8/2013 Harris

(Continued)

(21) Appl. No.: **29/580,480**  
(22) Filed: **Oct. 10, 2016**  
(51) **LOC (11) Cl.** ..... **03-01**  
(52) **U.S. Cl.**  
USPC ..... **D3/318**  
(58) **Field of Classification Search**  
USPC ..... D3/232, 246, 327, 318  
CPC ... A45C 1/024; A45C 3/06; A45F 4/02; A45F  
3/04  
See application file for complete search history.

**FOREIGN PATENT DOCUMENTS**

CA 2300014 A1 8/2001  
CA 2327764 A1 6/2002

(Continued)

*Primary Examiner* — Holly H Baynham  
(74) *Attorney, Agent, or Firm* — Banner & Witcoff, Ltd.

(57) **CLAIM**

The ornamental design for a duffel bag, as shown and described.

(56) **References Cited**

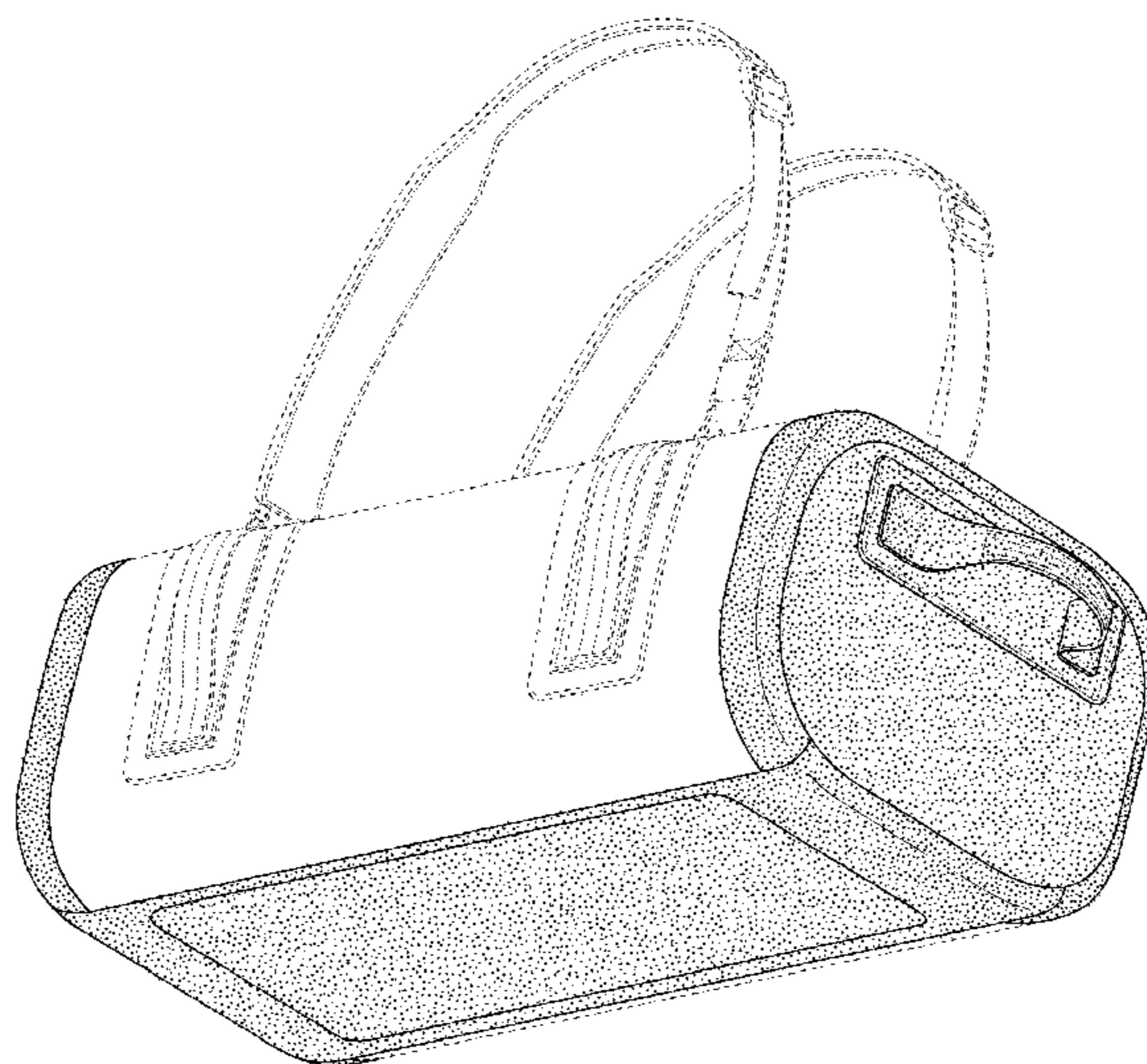
**U.S. PATENT DOCUMENTS**

4,805,748 A \* 2/1989 Gerch ..... A45C 3/00  
150/163  
D307,668 S 5/1990 Young  
5,005,679 A 4/1991 Hjelle  
5,007,250 A 4/1991 Musielak  
5,140,833 A 8/1992 Whalen  
D434,900 S 12/2000 Spence, Jr. et al.  
6,338,180 B1 1/2002 Massard  
6,409,066 B1 6/2002 Schneider et al.  
D465,924 S 11/2002 Gisser  
D481,540 S 11/2003 Van Himbeeck  
D495,489 S 9/2004 Messina-Brown  
D509,959 S 9/2005 Nykoluk

**DESCRIPTION**

FIG. 1 is a bottom, right perspective view of a duffel bag showing our new design;  
FIG. 2 is a front view thereof;  
FIG. 3 is a rear view thereof;  
FIG. 4 is a right side view thereof;  
FIG. 5 is a left side view thereof;  
FIG. 6 is a top view thereof; and,  
FIG. 7 is a bottom view thereof.  
The broken lines immediately adjacent to the shaded area represent unclaimed boundaries of the design.

**1 Claim, 6 Drawing Sheets**



(56)

References Cited

FOREIGN PATENT DOCUMENTS

| U.S. PATENT DOCUMENTS |         |                        | FOREIGN PATENT DOCUMENTS |                |         |
|-----------------------|---------|------------------------|--------------------------|----------------|---------|
| D688,458 S            | 8/2013  | Harris                 | CA                       | 150323         | 12/2013 |
| D689,283 S            | 9/2013  | Berkowitz              | CA                       | 150461         | 12/2013 |
| D692,662 S            | 11/2013 | Pignotti               | CN                       | 302623928      | 11/2013 |
| D698,150 S            | 1/2014  | Sabounjian             | CN                       | 302852751      | 6/2014  |
| 8,695,770 B2          | 4/2014  | Santy                  | CN                       | 302946709      | 9/2014  |
| D713,639 S            | 9/2014  | Whitlock et al.        | CN                       | 303092550      | 2/2015  |
| D717,040 S            | 11/2014 | Swartzel et al.        | CN                       | 303620433      | 3/2016  |
| D725,903 S            | 4/2015  | Kuster et al.          | EM                       | 002307702-0003 | 9/2013  |
| D727,017 S            | 4/2015  | Aberg et al.           | EM                       | 002333591-0015 | 10/2013 |
| D732,824 S            | 6/2015  | Tzortzis               | EM                       | 002348797-0001 | 11/2013 |
| D738,107 S            | 9/2015  | Adler et al.           | EM                       | 002309591-0001 | 12/2013 |
| D738,108 S            | 9/2015  | Adler et al.           | EM                       | 002309591-0002 | 12/2013 |
| 9,138,036 B2          | 9/2015  | Andreasson et al.      | EM                       | 002309591-0003 | 12/2013 |
| D740,550 S            | 10/2015 | Shabou                 | EM                       | 002309591-0005 | 12/2013 |
| D740,551 S            | 10/2015 | Shabou                 | EM                       | 002309591-0006 | 12/2013 |
| D740,552 S            | 10/2015 | Shabou                 | EM                       | 002309591-0007 | 12/2013 |
| D742,646 S            | 11/2015 | Amago                  | EM                       | 002309591-0008 | 12/2013 |
| D745,778 S            | 12/2015 | Shabou                 | EM                       | 002309591-0009 | 12/2013 |
| 9,215,918 B2          | 12/2015 | Kao et al.             | EM                       | 002520213-0005 | 8/2014  |
| D747,873 S            | 1/2016  | Peng                   | EM                       | 002599944-0001 | 1/2015  |
| D749,318 S            | 2/2016  | LoNigro                | EM                       | 002629964-0001 | 2/2015  |
| D758,075 S            | 6/2016  | Quarry et al.          | EM                       | 002119362-0001 | 4/2015  |
| D761,562 S            | 7/2016  | Venturini Fendi        | EM                       | 002639724-0002 | 5/2015  |
| D766,571 S            | 9/2016  | Boroski                | EM                       | 002734988-0003 | 7/2015  |
| D782,820 S *          | 4/2017  | Thompson ..... D3/283  | EM                       | 002734988-0004 | 7/2015  |
| D785,325 S *          | 5/2017  | Samrelius ..... D3/246 | EM                       | 002760678-0005 | 9/2015  |
| 2005/0263432 A1       | 12/2005 | Hanson                 | EM                       | 002906594-0010 | 12/2015 |
| 2006/0065500 A1       | 3/2006  | Herrig                 | EM                       | 003146869-0001 | 8/2016  |
| 2008/0142558 A1       | 6/2008  | Dexter                 | EM                       | 003359199-0001 | 9/2016  |
| 2014/0248003 A1       | 9/2014  | Mogil et al.           | EM                       | 003359199-0002 | 9/2016  |
| 2014/0270591 A1       | 9/2014  | Joly                   | GB                       | 4041233        | 8/2015  |
| 2016/0206061 A1       | 7/2016  | Ford                   | JP                       | D1475659       | 7/2013  |
| 2016/0278491 A1       | 9/2016  | Amago                  | KR                       | 300687326.0000 | 4/2013  |
|                       |         |                        | WO                       | D079659-001    | 12/2012 |

\* cited by examiner

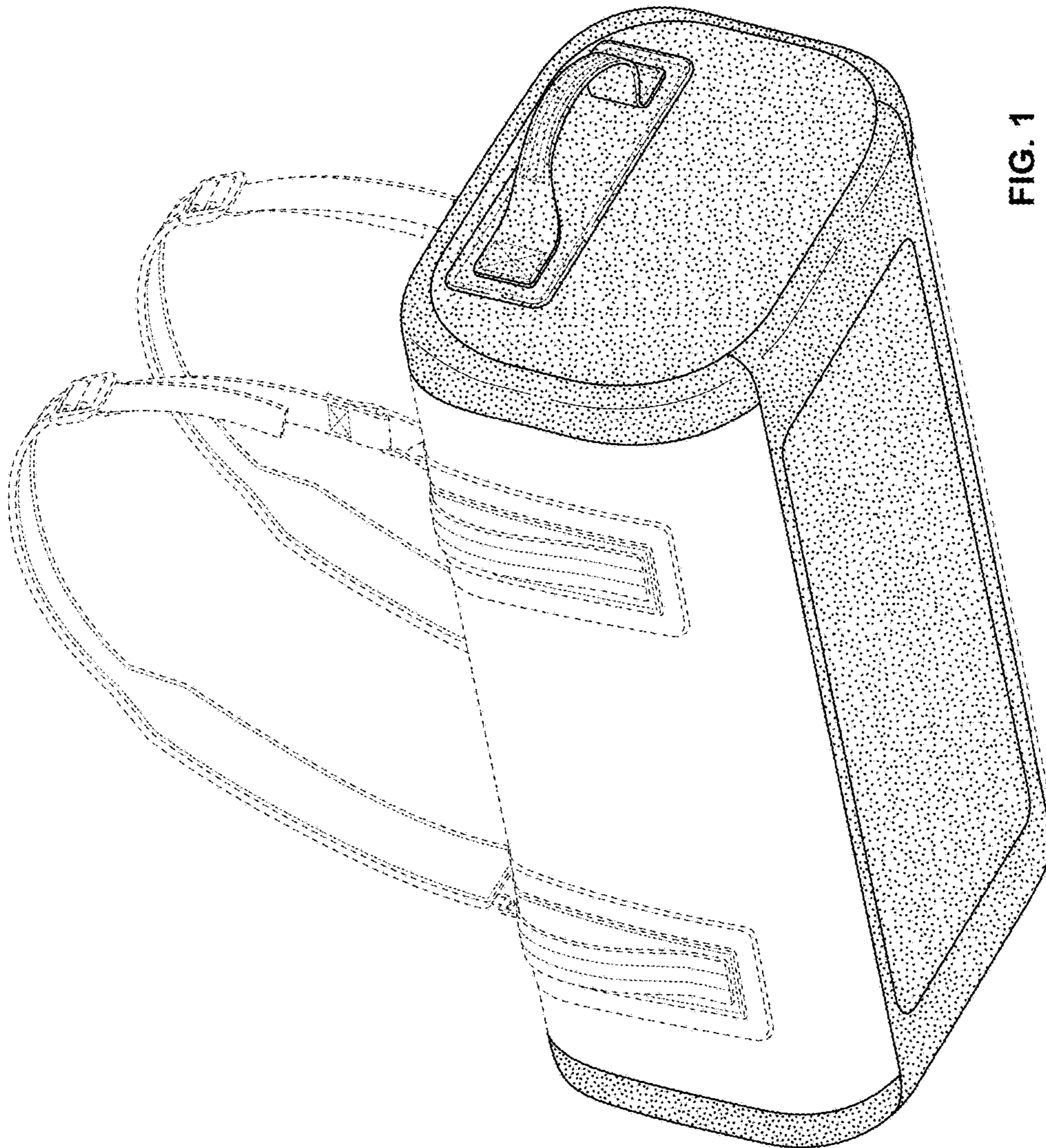


FIG. 1

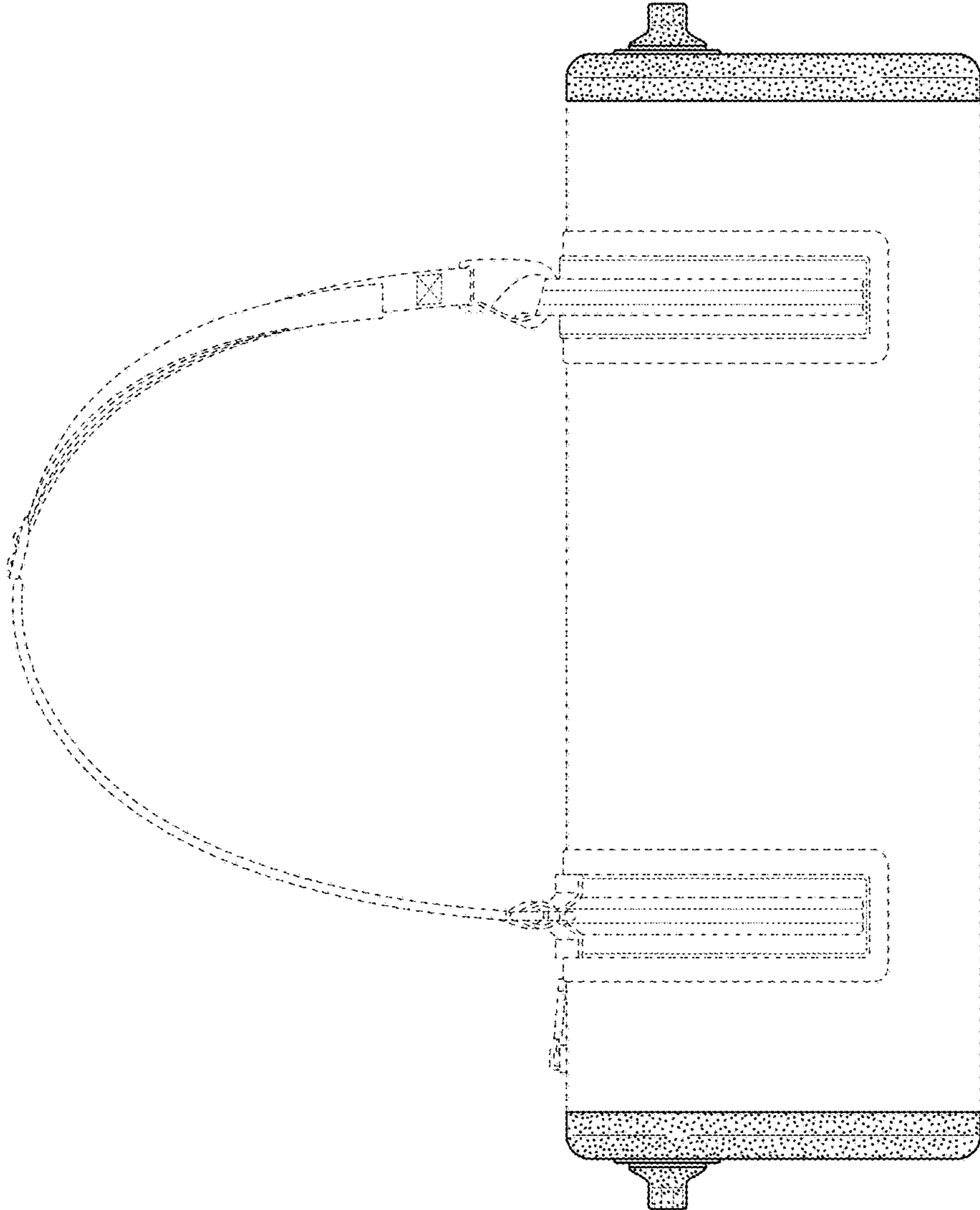


FIG. 2

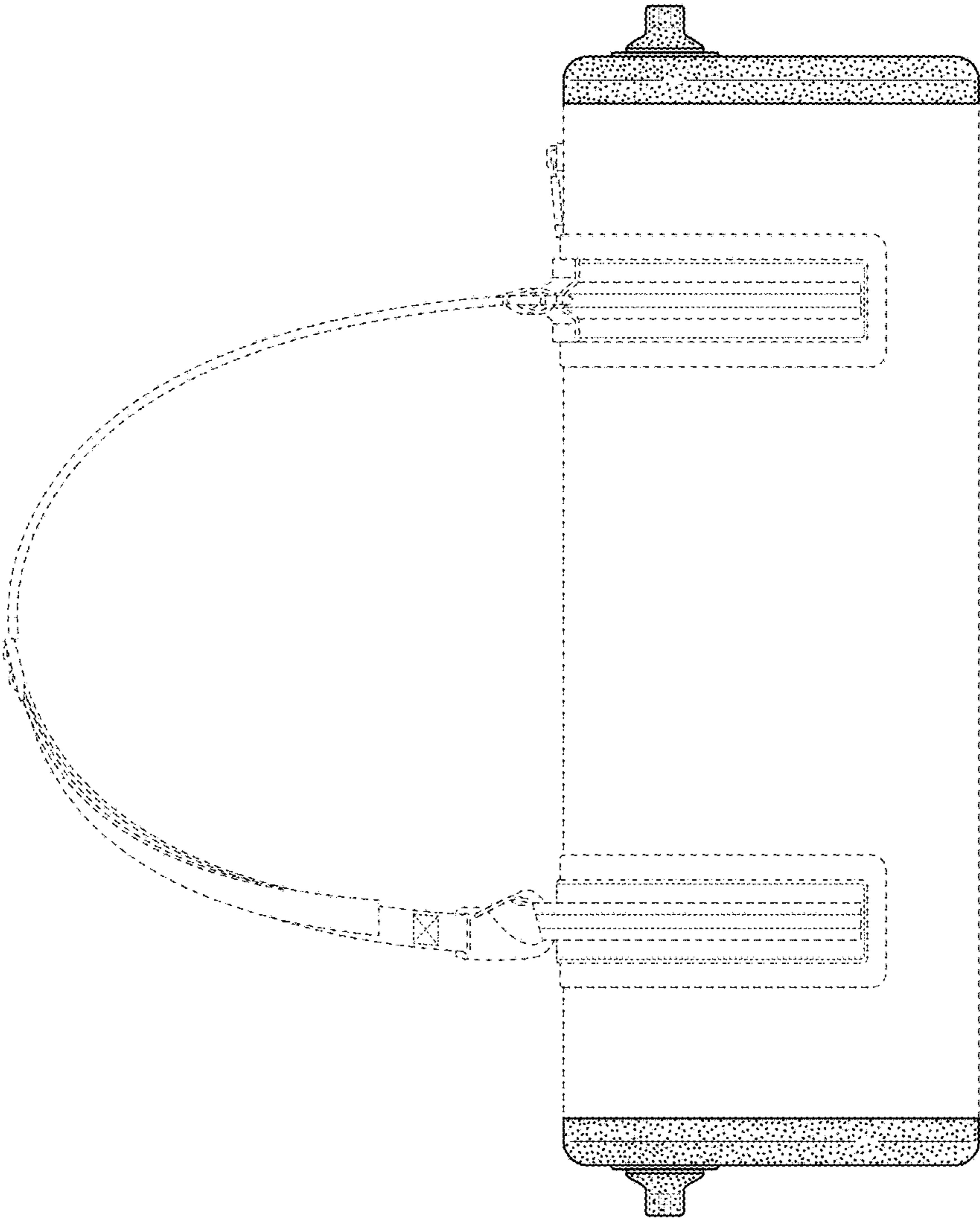


FIG. 3

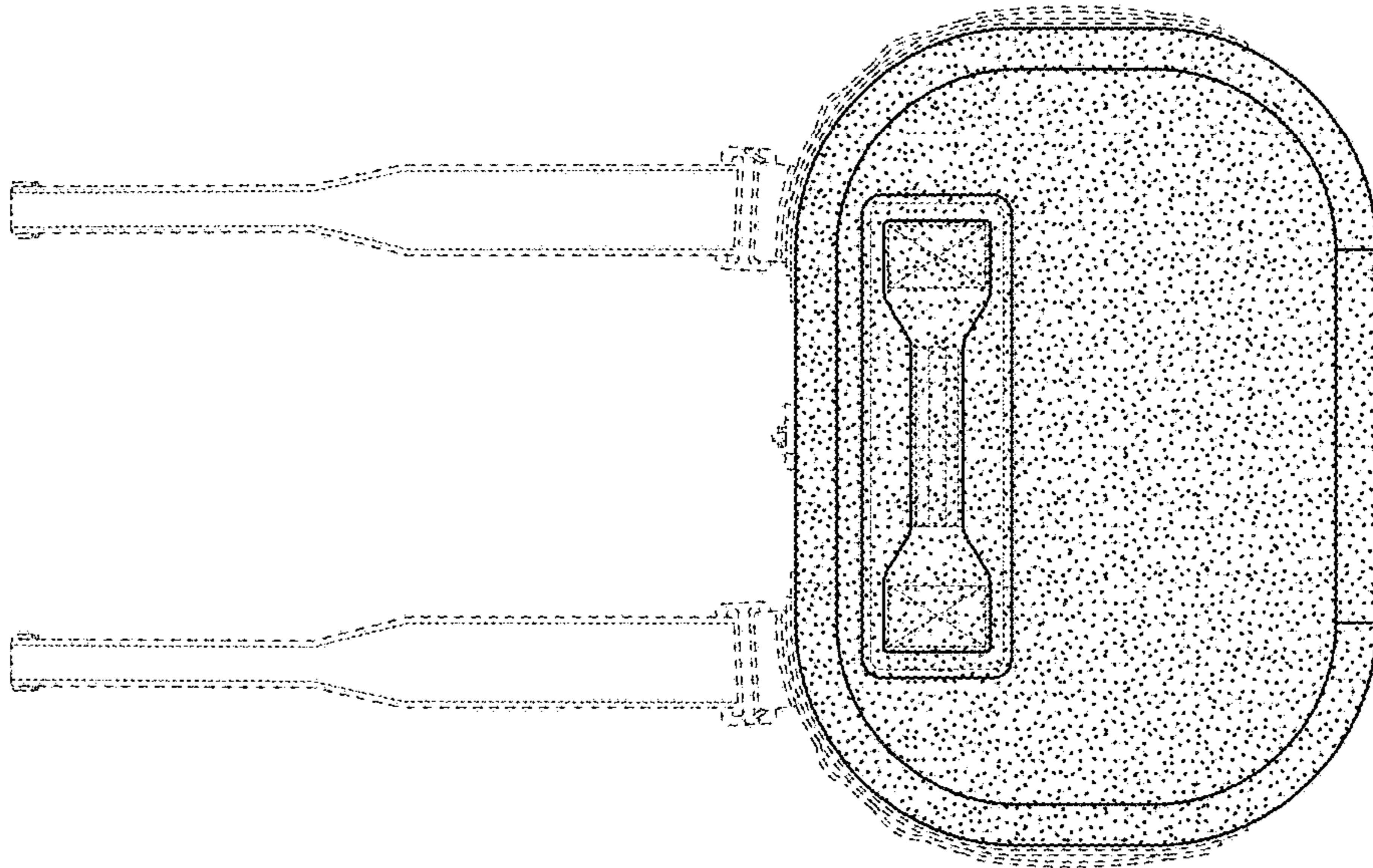


FIG. 5

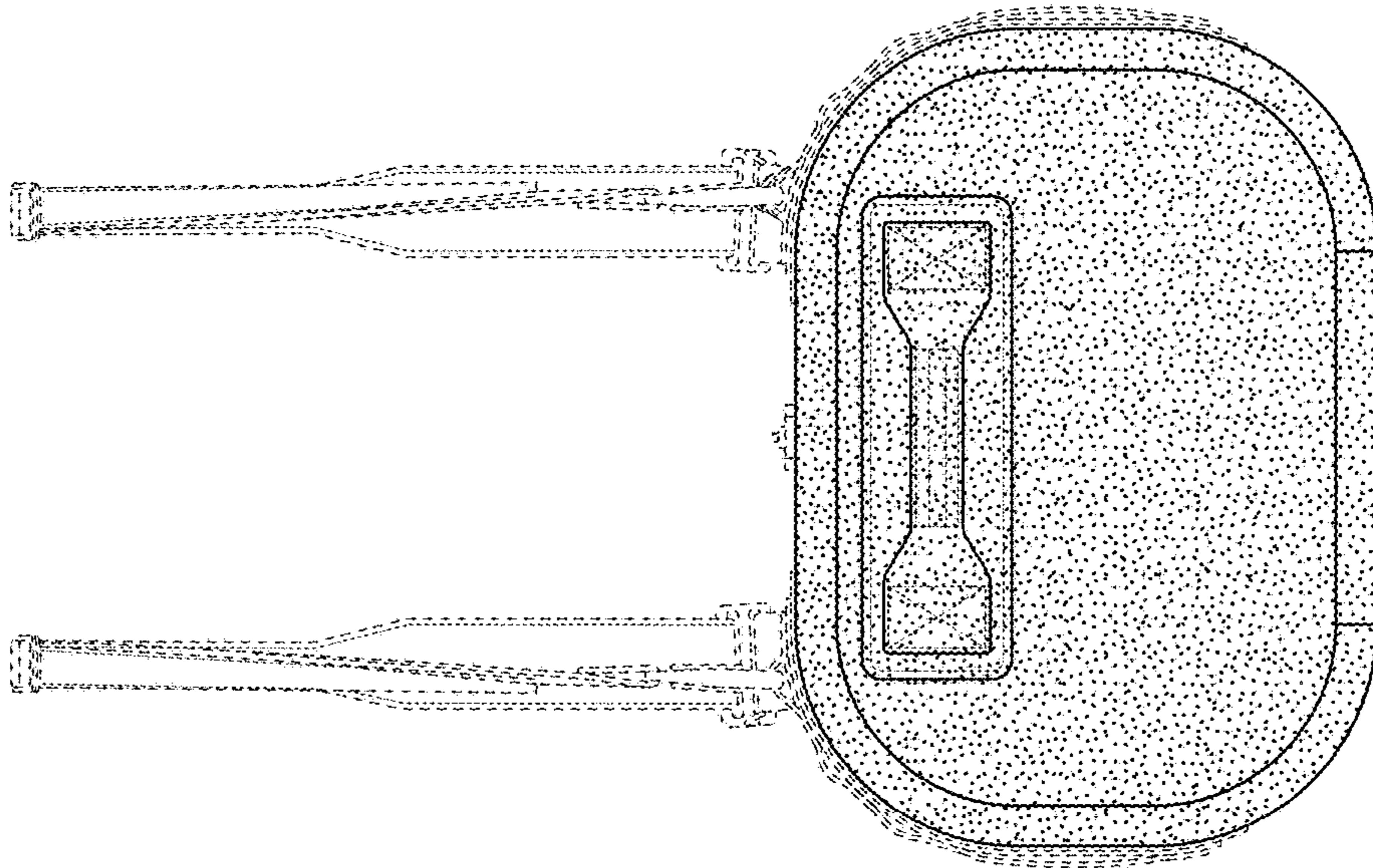


FIG. 4

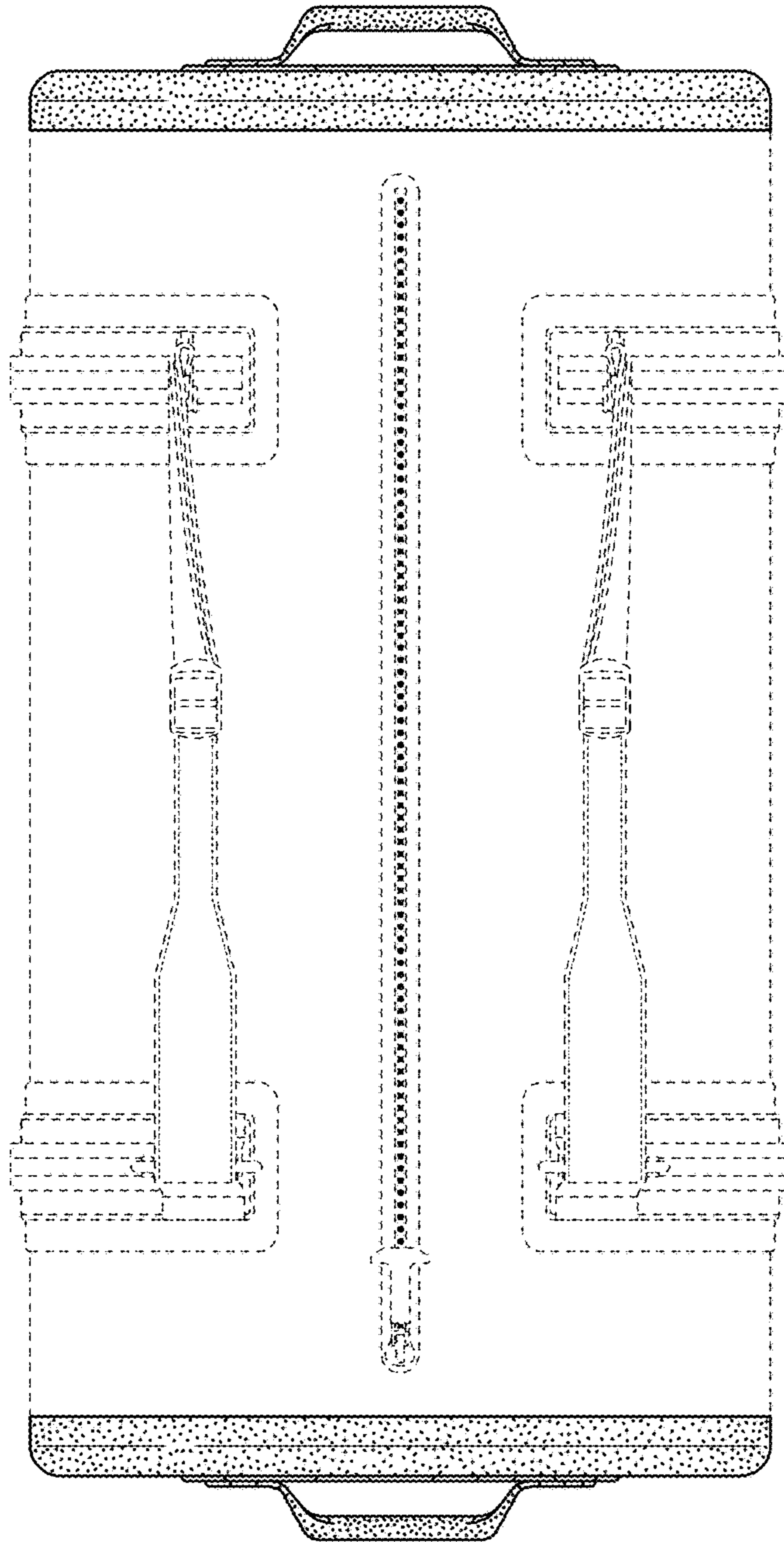


FIG. 6

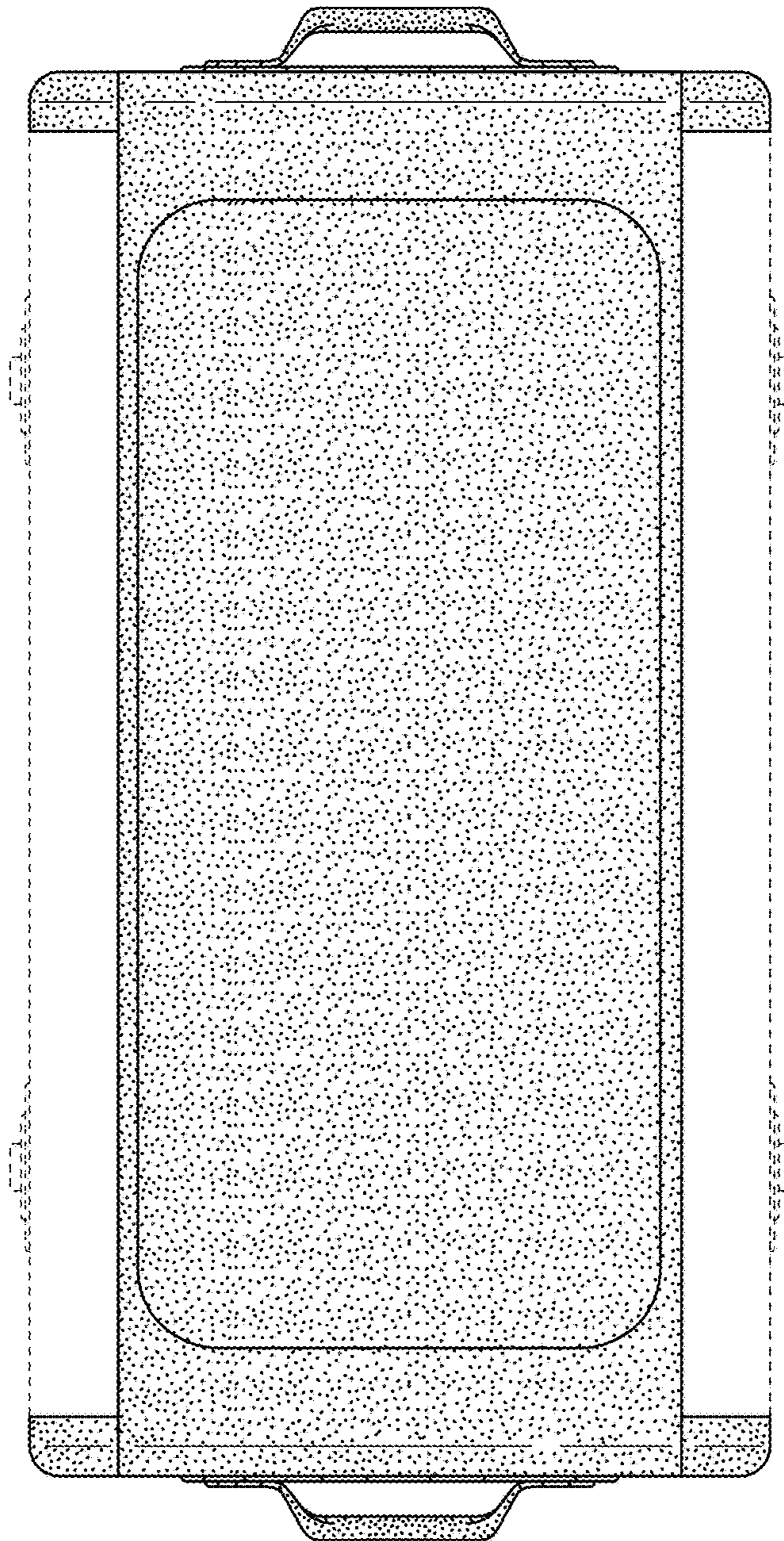


FIG. 7