

US00D808171S

(12) **United States Design Patent**
Trost

(10) **Patent No.:** **US D808,171 S**
(45) **Date of Patent:** **** Jan. 23, 2018**

(54) **FUNNELING TRAY**
(71) Applicant: **Dean Trost**, Ft. Atkinson, WI (US)
(72) Inventor: **Dean Trost**, Ft. Atkinson, WI (US)
(**) Term: **15 Years**
(21) Appl. No.: **29/595,109**
(22) Filed: **Feb. 24, 2017**
(51) **LOC (11) Cl.** **03-01**
(52) **U.S. Cl.**
USPC **D3/304**
(58) **Field of Classification Search**
USPC D3/201, 304, 308; D7/400, 700, 550.1,
D7/554.3, 566, 587; D99/28, 34, 35, 36,
D99/43, 99; D10/46.2, 46; D8/10;
D30/162; D18/3.1, 3.3, 12, 12.1;
D24/133, 227; D15/140
CPC . B65D 1/00; B65D 1/34; B65D 25/38; B65D
25/52; B65D 85/70; B67C 11/00; B67C
11/063; B67C 11/02; B65B 39/00; B65B
1/04; B65B 1/06; G07F 3/04; G07F 1/00;
G07F 1/02; G07F 1/04; G07D 2201/00;
G07D 13/00; G07D 11/00; G07D 9/00;
G07D 9/002; G07D 9/008; G07D 9/02;
A01B 1/02; B07B 1/00; E01H 1/12;
E01H 1/1206
See application file for complete search history.

2,812,784 A * 11/1957 Palmer A47L 13/52
118/504
2,952,369 A 9/1960 Rew
D198,990 S * 8/1964 Lenier D99/34
3,747,756 A 7/1973 Wheeler
D236,538 S 8/1975 Adams
D246,745 S * 12/1977 Charlop D99/34
D246,875 S * 1/1978 Ellison D3/208
D248,078 S 6/1978 Warnekros
4,121,722 A * 10/1978 Sussman G06M 11/00
414/675
D262,507 S * 1/1982 Wooldridge D7/698
D265,537 S * 7/1982 Stockdale D7/698
D266,250 S 9/1982 Gallagher
D266,301 S 9/1982 Hall
D270,601 S * 9/1983 Price D7/698
D283,196 S * 4/1986 Hasse 111/106
D283,390 S * 4/1986 McGinnis D7/698
D289,253 S * 4/1987 Super D10/97
D308,277 S * 5/1990 Walker D10/46.2
D317,671 S * 6/1991 Skaggs D99/34
D328,016 S * 7/1992 Valerio D8/10
5,495,950 A 3/1996 Jellum
D382,402 S * 8/1997 Pawuk D3/304
D430,399 S * 9/2000 Pawuk D3/304

(Continued)

Primary Examiner — Elizabeth J Oswecki

(57) **CLAIM**

The ornamental design for a funneling tray, as shown and described.

DESCRIPTION

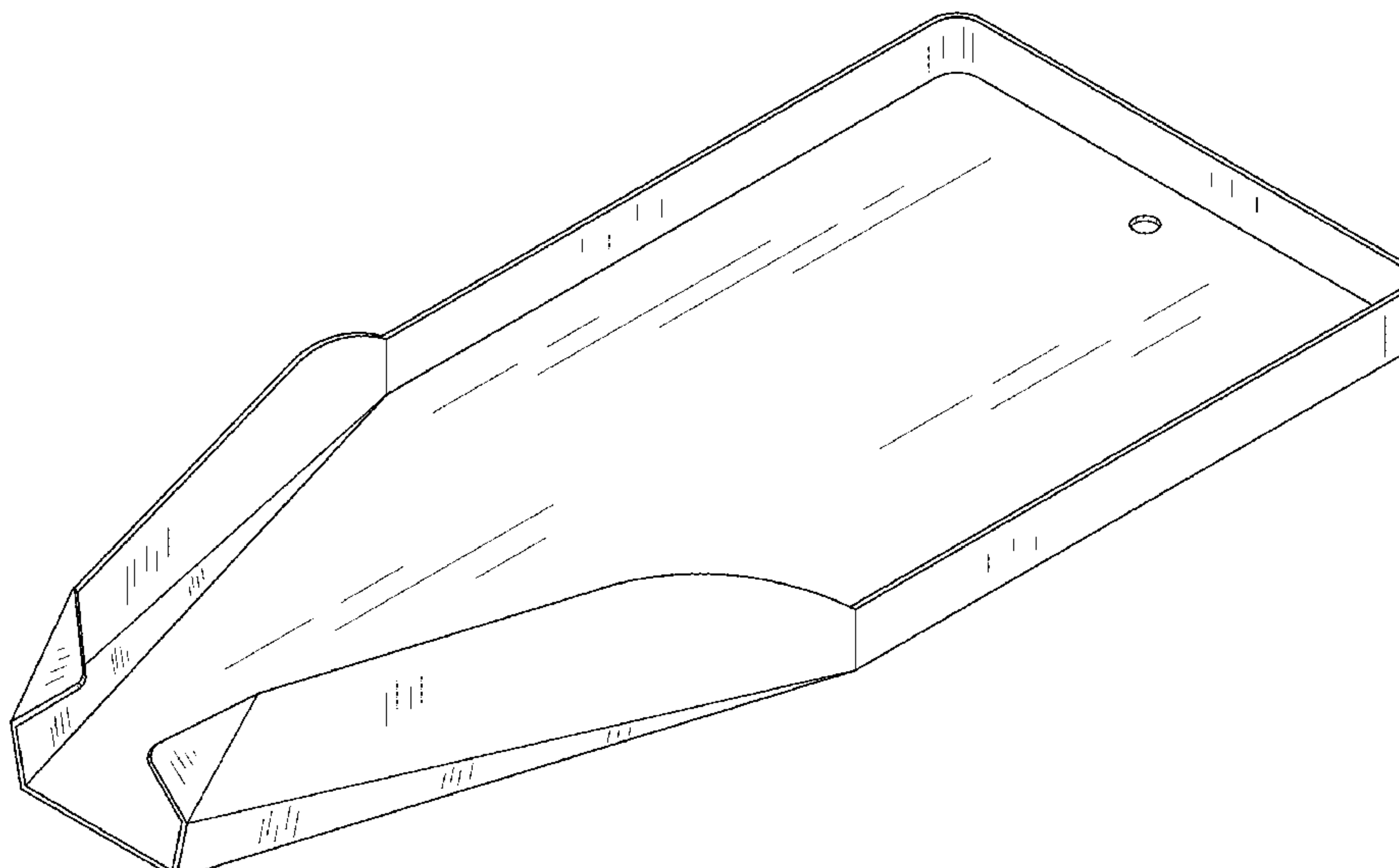
FIG. 1 is a front view of a funneling tray, showing my new design;
FIG. 2 is a rear view thereof;
FIG. 3 is a left side view thereof;
FIG. 4 is a right side view thereof;
FIG. 5 is a top view thereof, a bottom view being a mirror image thereof; and,
FIG. 6 is a top, front, side perspective view thereof.

1 Claim, 5 Drawing Sheets

(56) **References Cited**

U.S. PATENT DOCUMENTS

D135,695 S * 5/1943 Allen D99/34
2,595,713 A * 5/1952 Siernos G07D 3/10
453/8
2,754,030 A * 7/1956 Waber B65D 83/0409
206/540
2,812,076 A * 11/1957 Mistretta A61J 7/02
414/675



(56)

References Cited

U.S. PATENT DOCUMENTS

6,116,425	A	9/2000	Frayar, Sr.	
D432,308	S	10/2000	Lockhart	
D459,581	S *	7/2002	Krumes	D3/304
D495,931	S *	9/2004	Cole	D7/698
D541,004	S *	4/2007	Berg	D18/3.1
7,392,932	B2 *	7/2008	Bostick, II	B65D 5/009 229/189
9,532,928	B2 *	1/2017	Devita	A61J 7/02

* cited by examiner

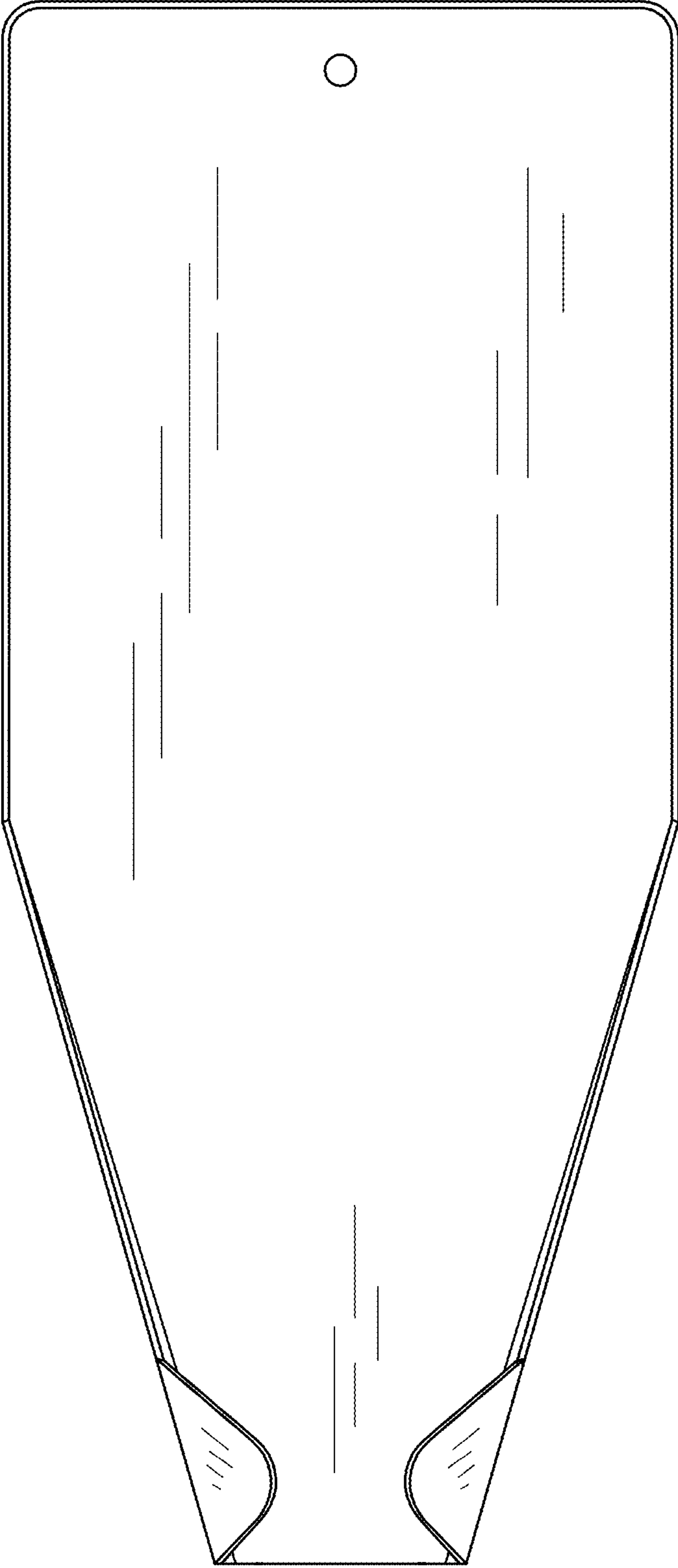


FIG. 1

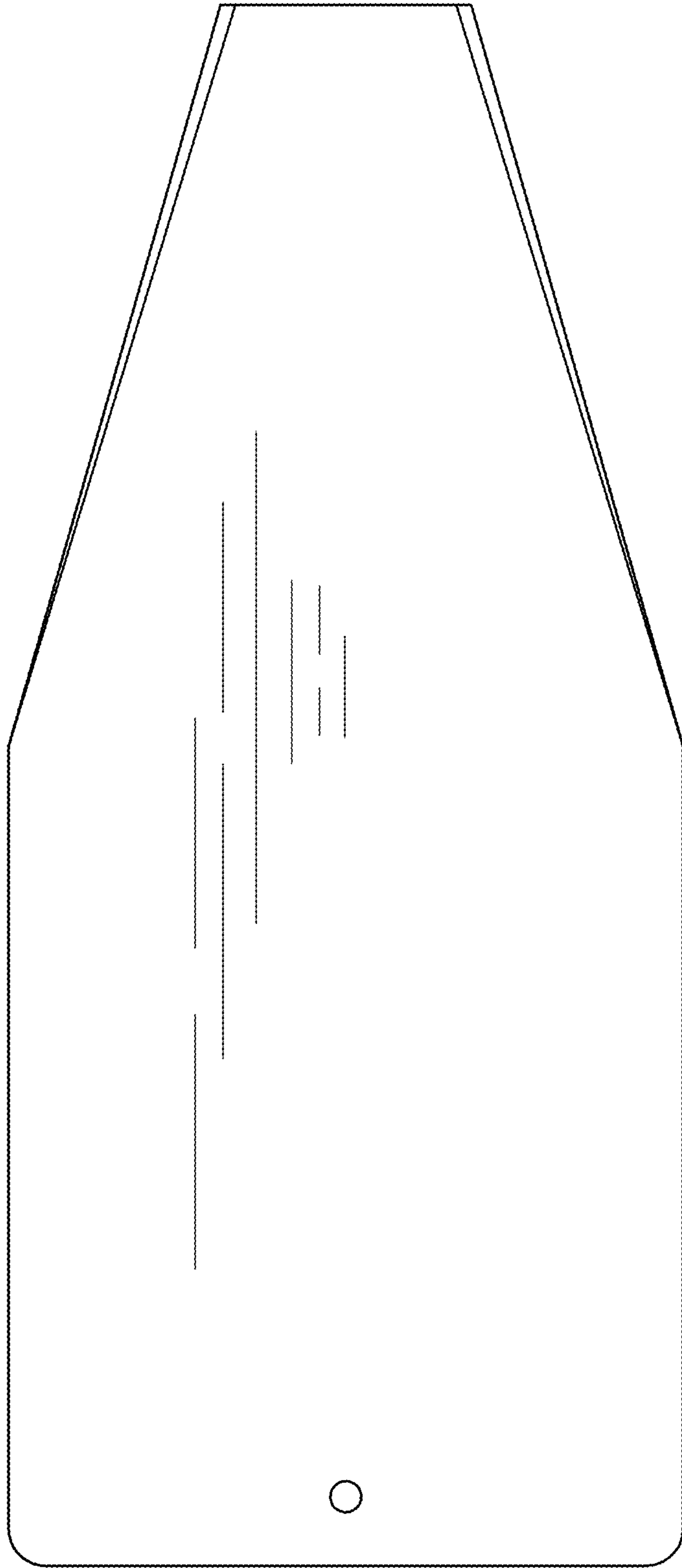


FIG. 2

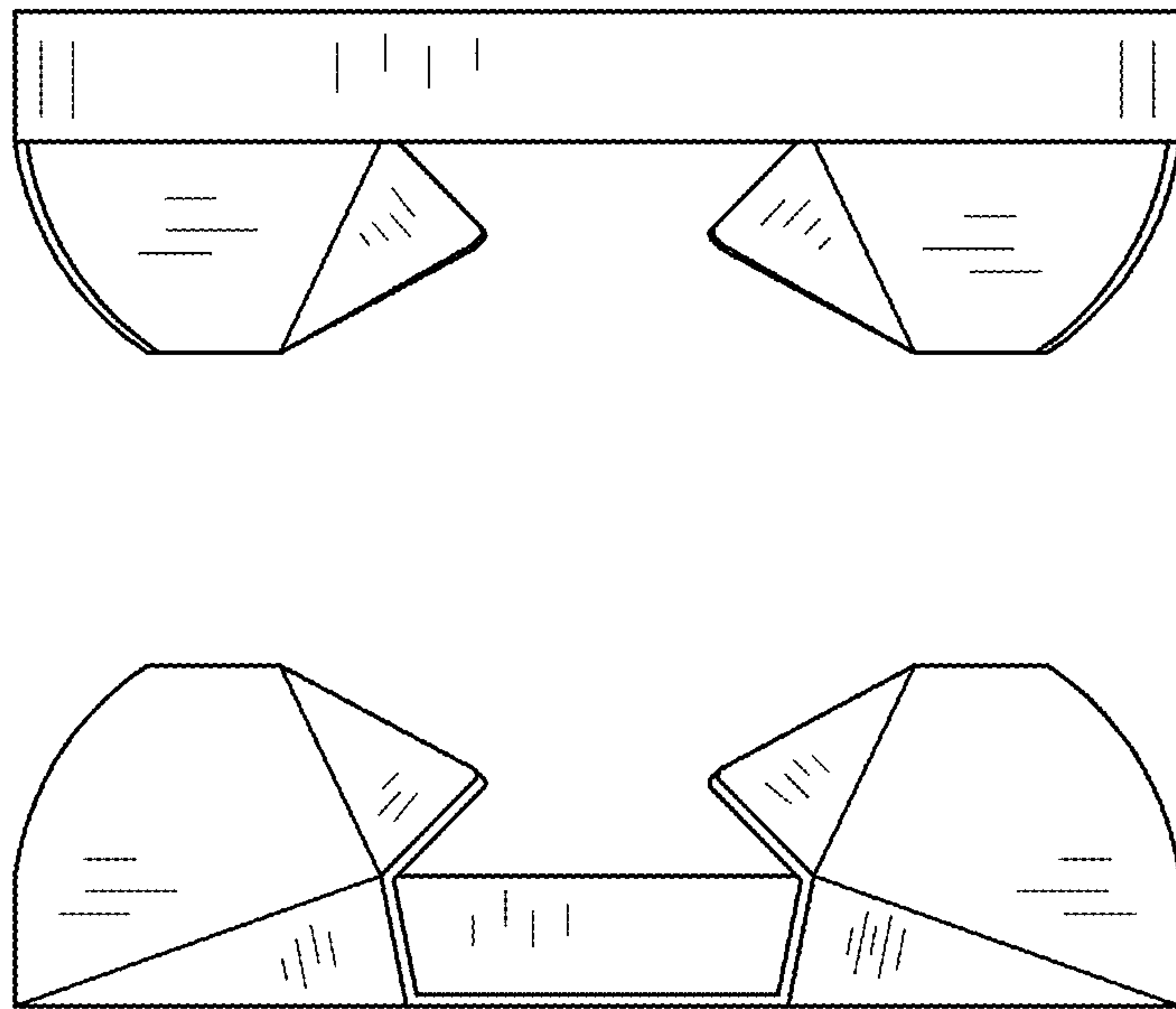


FIG. 4

FIG. 3

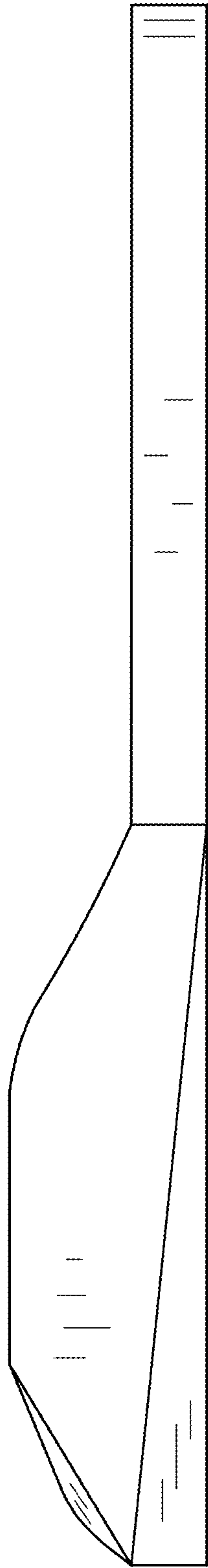


FIG. 5

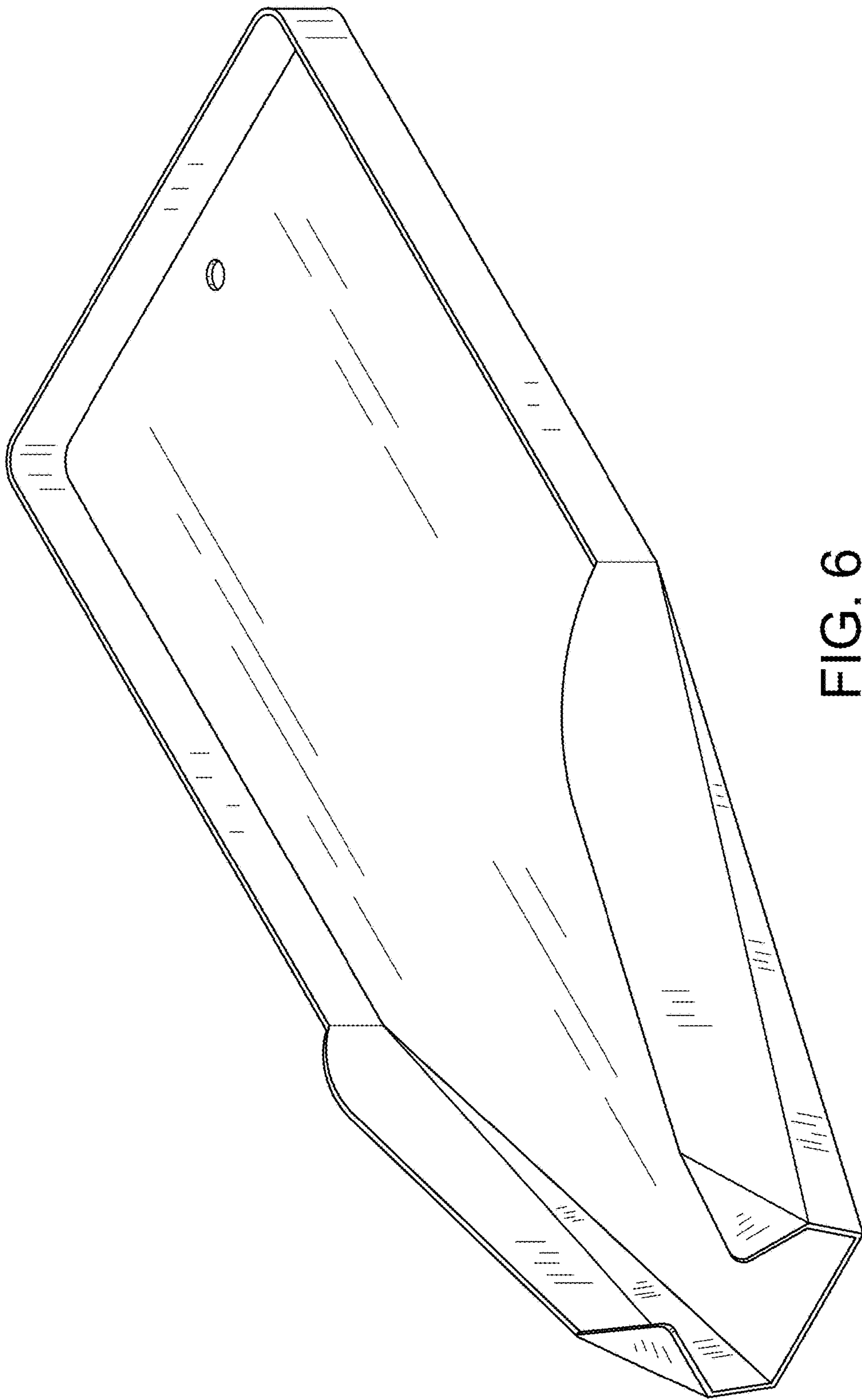


FIG. 6